



US00D930592S

(12) **United States Design Patent** (10) **Patent No.:** **US D930,592 S**
Byrne et al. (45) **Date of Patent:** **** Sep. 14, 2021**

- (54) **ELECTRICAL RECEPTACLE**
- (71) Applicants: **Norman R. Byrne**, Ada, MI (US);
Steven K. Meek, Rockford, MI (US);
Randell E. Pate, Jenison, MI (US)
- (72) Inventors: **Norman R. Byrne**, Ada, MI (US);
Steven K. Meek, Rockford, MI (US);
Randell E. Pate, Jenison, MI (US)
- (**) Term: **15 Years**
- (21) Appl. No.: **29/704,795**
- (22) Filed: **Sep. 6, 2019**
- (51) **LOC (13) Cl.** **13-03**
- (52) **U.S. Cl.**
USPC **D13/139.7; D13/139.2**
- (58) **Field of Classification Search**
USPC D13/137.1-137.4, 138.1, 138.2, 139.1,
D13/139.2, 139.4, 139.6-139.8, 146, 147,
D13/158, 160, 161; D14/432, 433
CPC .. H01R 13/639; H01R 13/6392; H01R 13/64;
H01R 13/642; H01R 13/648; H01R
13/652; H01R 13/6666; H01R 13/6683;
H01R 13/68; H01R 13/713; H01R 24/20;
H01R 24/22; H01R 24/28; H01R 24/30;
H01R 2103/00; H01R 25/00; H01R
25/003; H01R 25/006; H01R 25/164-167;
H01H 2207/22; H01H 71/58; H01H
83/04
See application file for complete search history.

- 5,231,562 A 7/1993 Pierce et al.
- D355,890 S 2/1995 Lentz
- D360,873 S * 8/1995 Starec D13/139.2
- D372,018 S 7/1996 Byrne
- 5,582,520 A * 12/1996 Doudon H01R 25/142
439/106

(Continued)

OTHER PUBLICATIONS

Desk Power Socket by VILONG. Amazon. Oldest review date: Jun. 24, 2018. Retrieval date: Feb. 24, 2021. Retrieved from internet: <https://www.amazon.com/Socket-Connect-Outlet-Extension-Mountable/dp/B07JNDT72W> (Year: 2018).*

Primary Examiner — Lilyana Bekic
Assistant Examiner — Lee D. Starr
(74) *Attorney, Agent, or Firm* — Gardner, Linn, Burkhardt & Ondersma LLP

(57) **CLAIM**

The ornamental design for an electrical receptacle, as shown and described.

DESCRIPTION

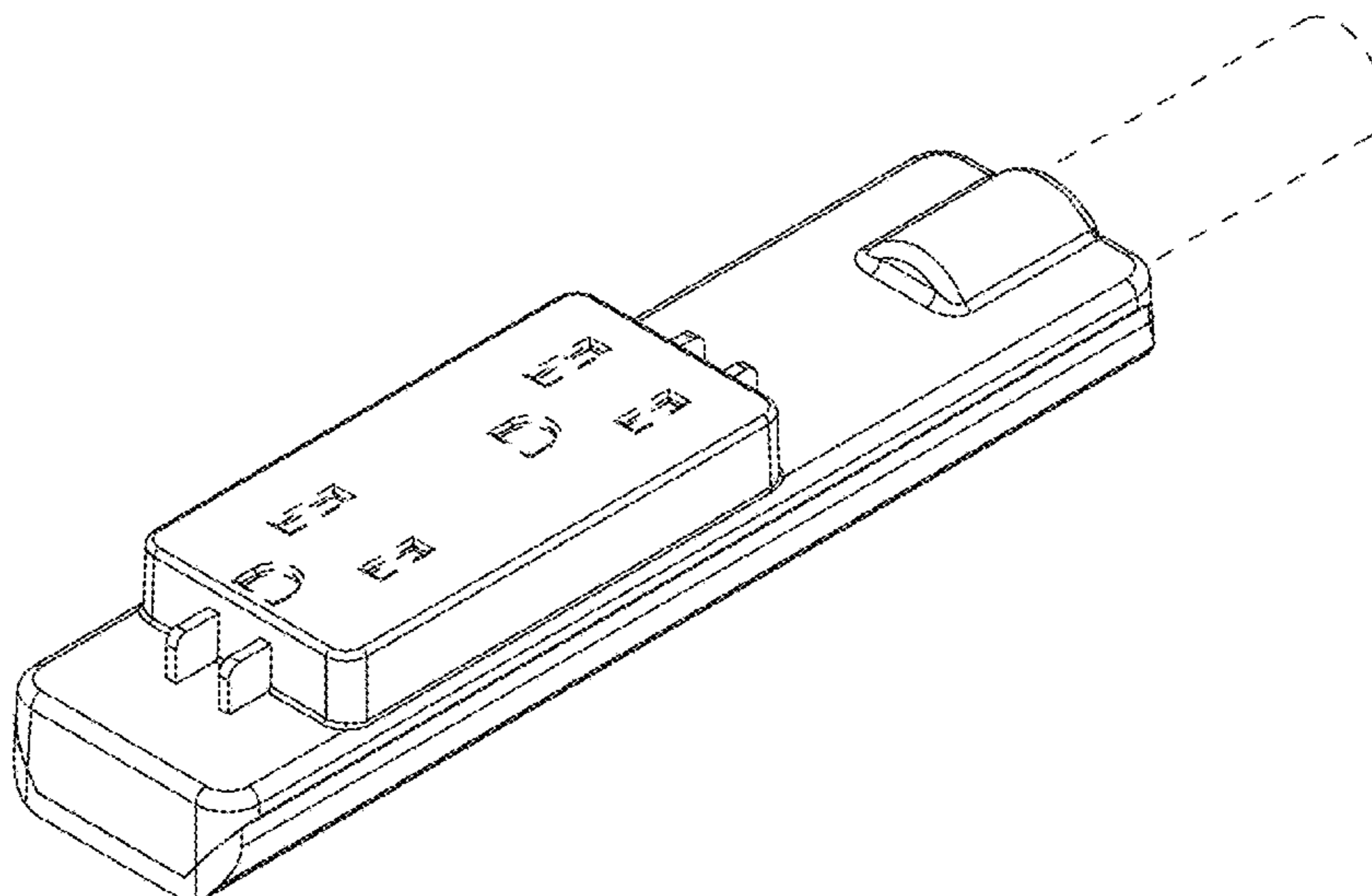
FIG. 1 is a top-front-left perspective view of an electrical receptacle showing our new design;
FIG. 2 is a bottom-front-right perspective view thereof;
FIG. 3 is another top-rear-left perspective view thereof;
FIG. 4 is a bottom-rear-right perspective view thereof;
FIG. 5 is a bottom plan view thereof;
FIG. 6 is a top plan view thereof;
FIG. 7 is a left side elevation view thereof;
FIG. 8 is a right side elevation view thereof;
FIG. 9 is a rear elevation view thereof; and,
FIG. 10 is a front elevation view thereof.
The broken line showing of the cord depicts environmental structure and forms no part of the claimed design. All other broken lines depict portions of the electrical receptacle that form no part of the claimed design.

(56) **References Cited**

U.S. PATENT DOCUMENTS

- 317,206 A 5/1885 Roberts
- 3,187,290 A * 6/1965 Winders H01R 25/006
439/209
- D270,629 S 9/1983 Drew
- 4,705,342 A * 11/1987 Schwartz H01R 25/003
439/650
- 4,747,788 A 5/1988 Byrne

1 Claim, 4 Drawing Sheets



(56)

References Cited

U.S. PATENT DOCUMENTS

5,584,714	A *	12/1996	Karst	H01R 13/35 439/107
D401,219	S	11/1998	Stekelenburg	
D406,102	S	2/1999	Byrne	
D407,372	S *	3/1999	Starec	D13/139.2
D407,373	S *	3/1999	Byrne	D13/139.4
6,015,307	A	1/2000	Chiu et al.	
6,652,303	B2 *	11/2003	Stockel	H01R 25/164 439/107
7,008,249	B2 *	3/2006	McCoy	H01R 25/165 439/171
7,198,499	B2 *	4/2007	Kim	H01R 13/70 439/217
D591,239	S	4/2009	Caplan	
7,736,178	B2	6/2010	Byrne	
D671,496	S *	11/2012	Byrne	D13/139.2
D674,349	S *	1/2013	Lee	D13/139.8
D685,741	S *	7/2013	Byrne	D13/139.7
8,480,415	B2	7/2013	Byrne	
10,547,188	B2	1/2020	Byrne et al.	
D881,819	S *	4/2020	Shan	D13/139.7
10,910,780	B2	2/2021	Byrne	
2008/0280475	A1 *	11/2008	Byrne	H01R 25/167 439/284
2019/0148850	A1	5/2019	Byrne et al.	

* cited by examiner

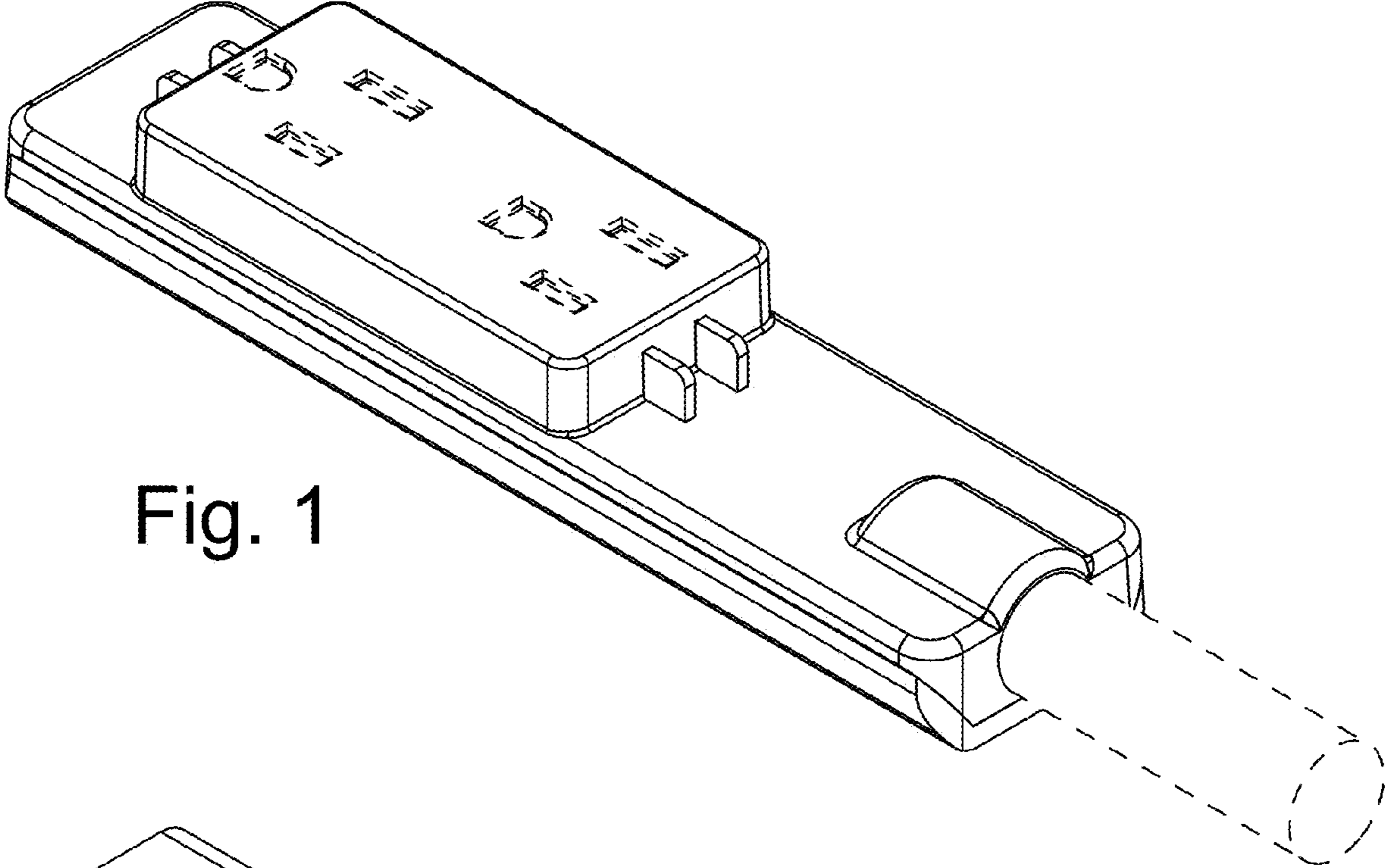


Fig. 1

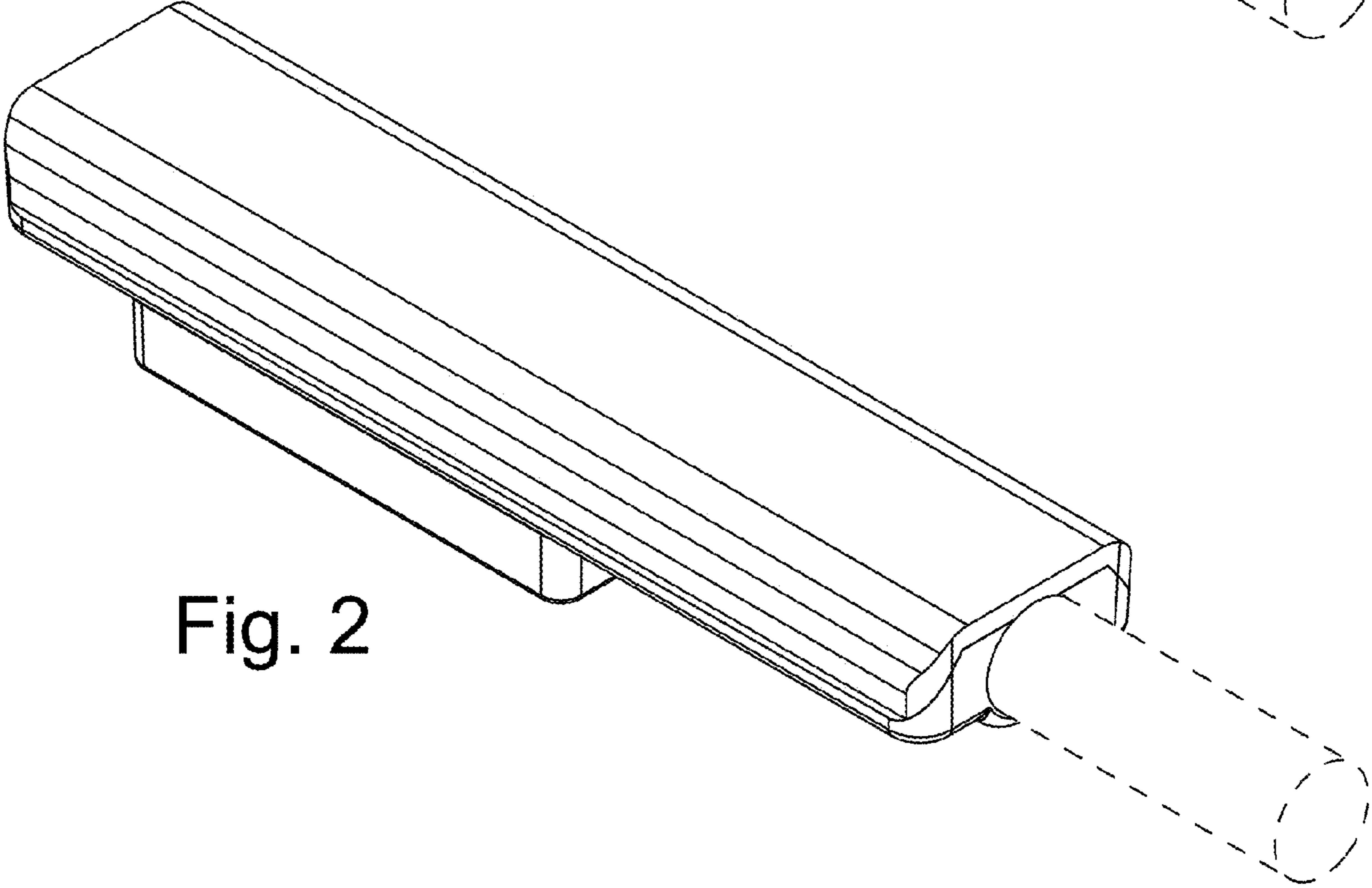


Fig. 2

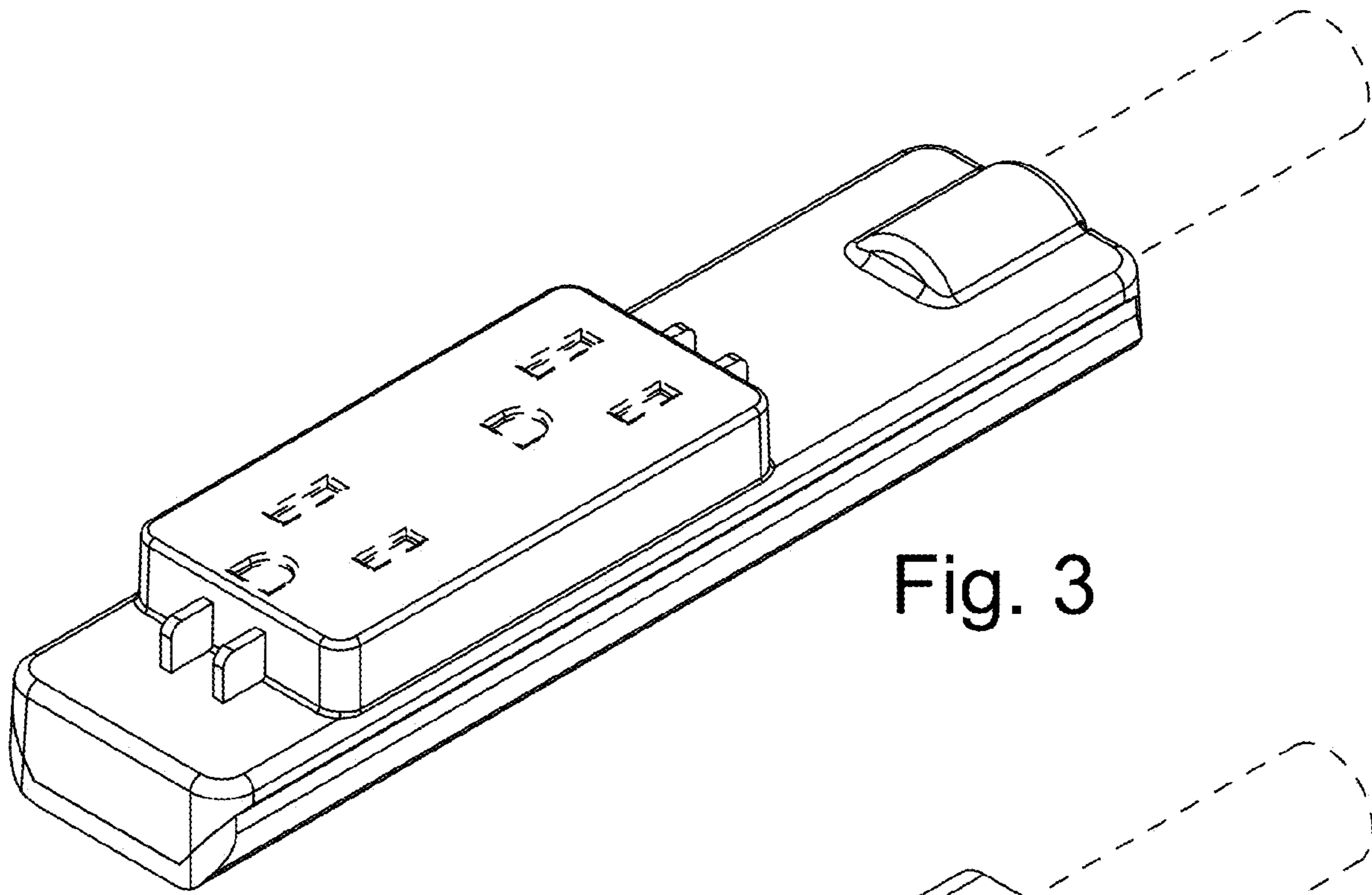


Fig. 3

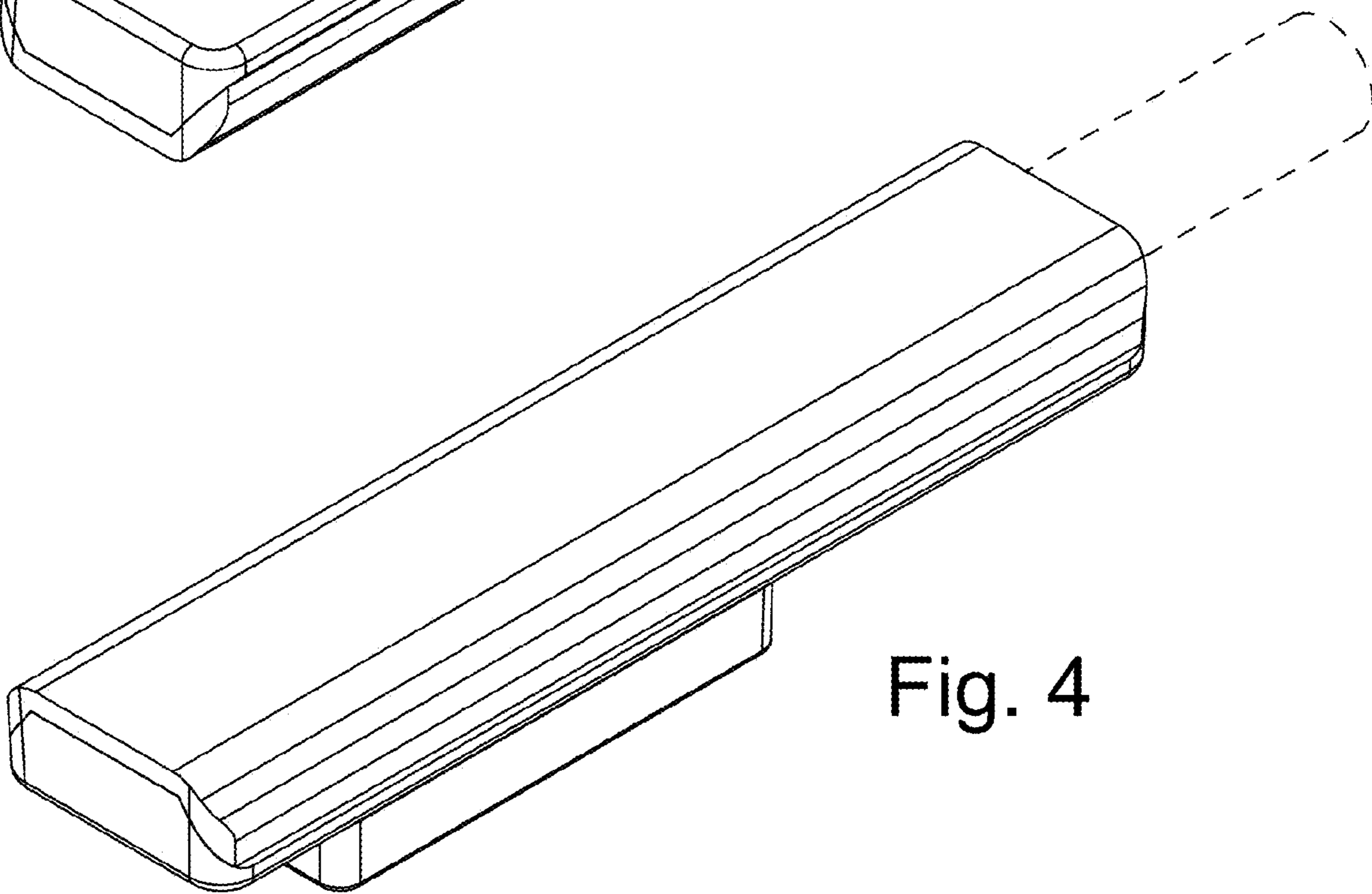


Fig. 4

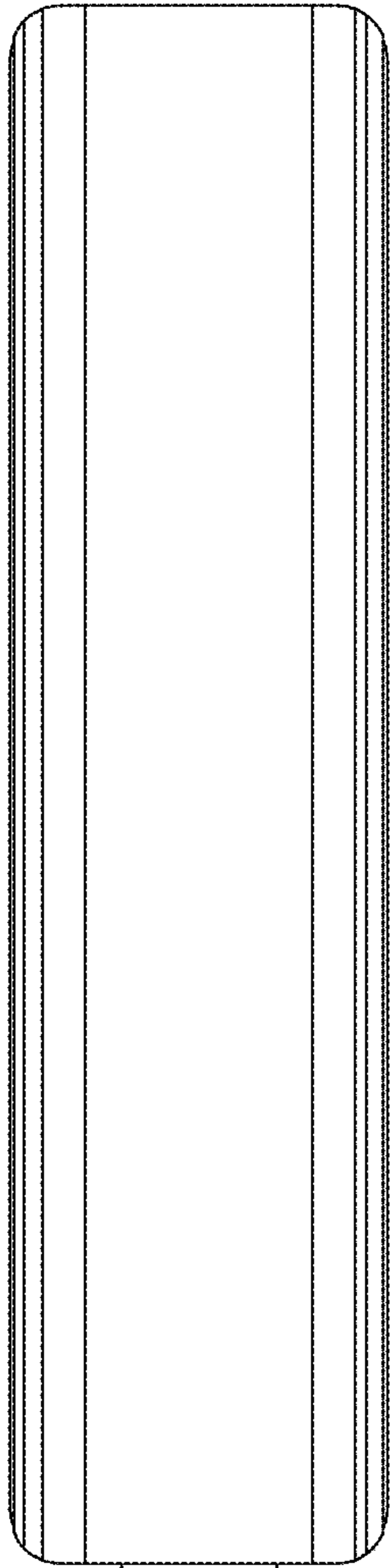


Fig. 5

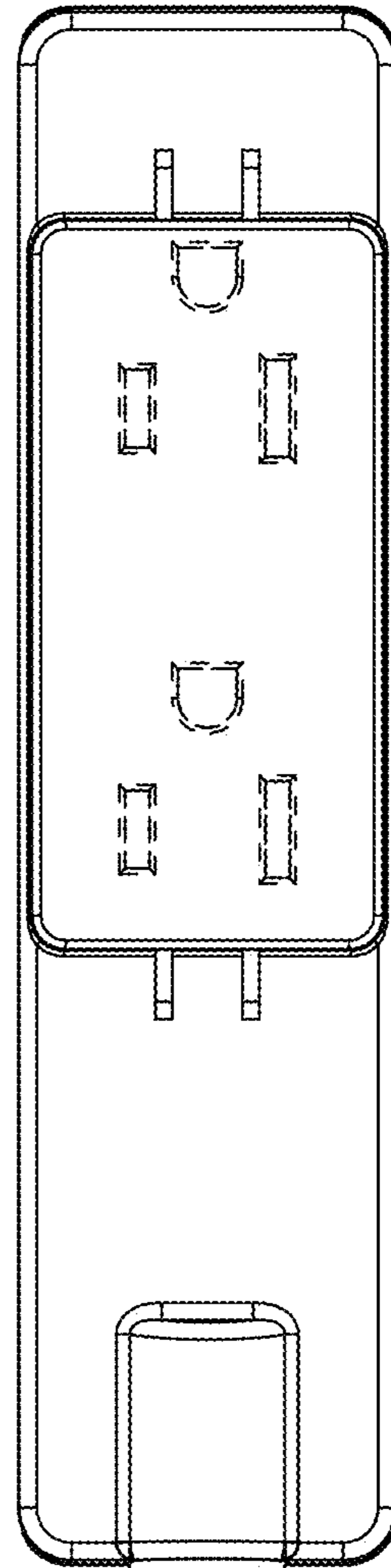


Fig. 6

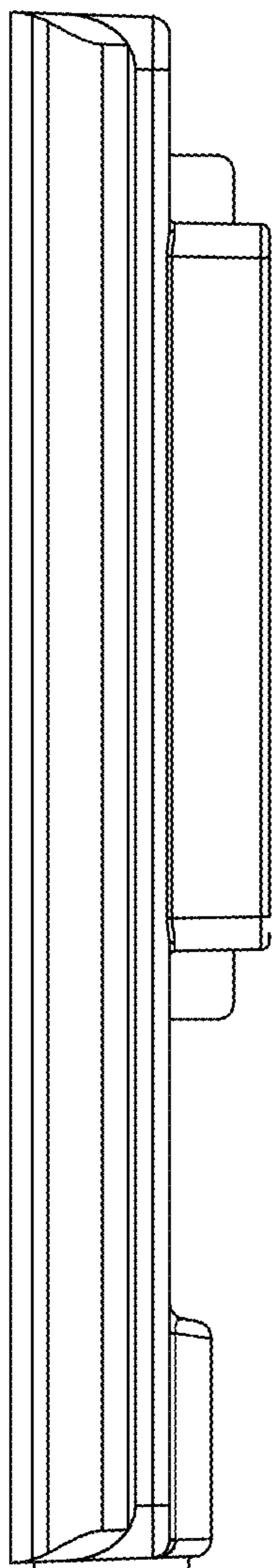


Fig. 7

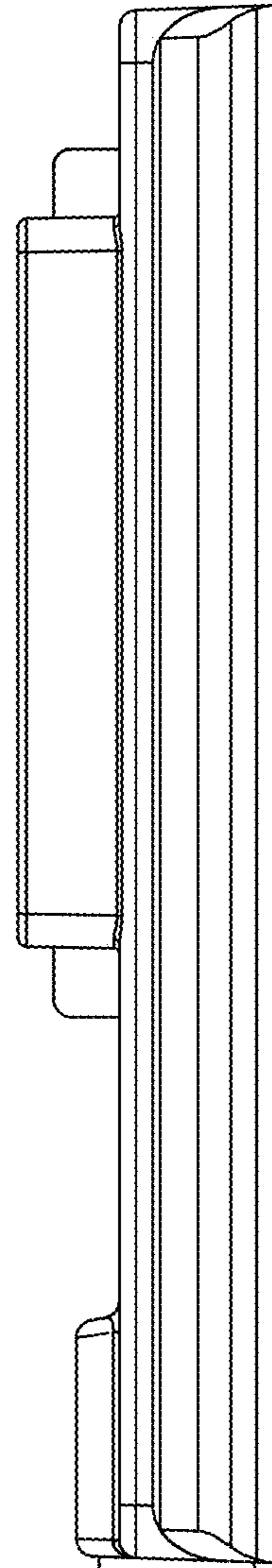


Fig. 8

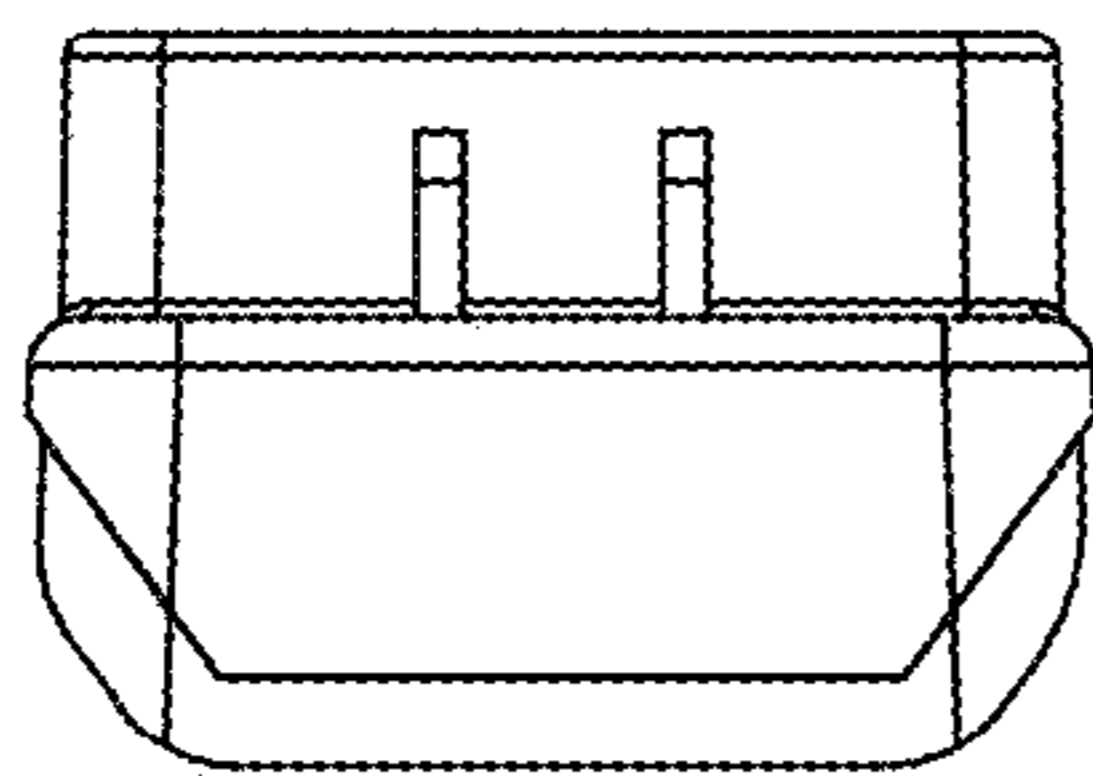


Fig. 9

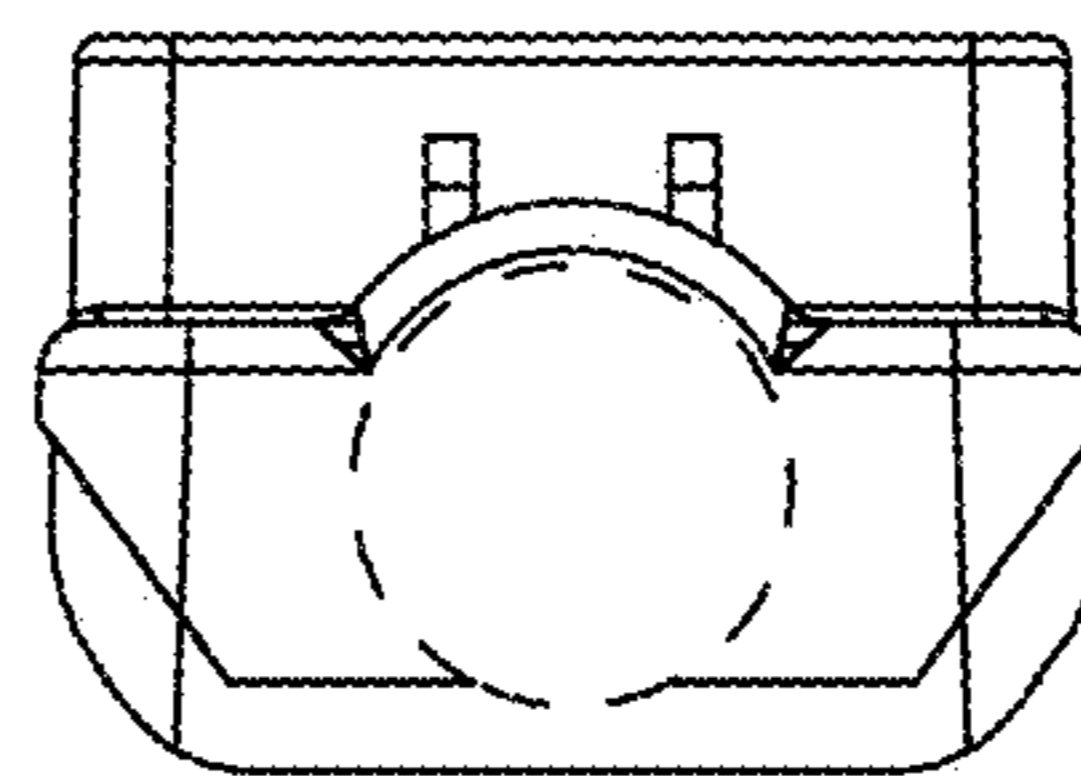


Fig. 10