



US00D930591S

(12) **United States Design Patent** (10) **Patent No.:** **US D930,591 S**  
**Rupert** (45) **Date of Patent:** **\*\* \*Sep. 14, 2021**

(54) **ELECTRICAL RECEPTACLE**  
(71) Applicant: **Group Dekko, Inc.**, Garrett, IN (US)  
(72) Inventor: **Brian Rupert**, Kendallville, IN (US)  
(73) Assignee: **Group Dekko, Inc.**, Garrett, IN (US)  
(\* ) Notice: This patent is subject to a terminal disclaimer.

D844,008	S	*	3/2019	Yamazaki	.....	D14/434
D854,020	S	*	7/2019	Liao	.....	D14/434
D855,054	S	*	7/2019	Turksu	.....	D14/433
D856,937	S	*	8/2019	Rupert	.....	D13/139.4
D876,439	S	*	2/2020	Turksu	.....	D14/433
D882,578	S	*	4/2020	Zhang	.....	D14/433
D883,983	S	*	5/2020	Zhang	.....	D14/433
D885,339	S	*	5/2020	Duan	.....	D13/110
D886,105	S	*	6/2020	Duan	.....	D14/433
D889,471	S	*	7/2020	Zhang	.....	D14/433
D890,181	S	*	7/2020	Liu	.....	D14/433
D890,759	S	*	7/2020	Fan	.....	D14/433
D891,433	S	*	7/2020	Chin	.....	D14/433

(\*\*) Term: **15 Years**

(21) Appl. No.: **29/673,320**  
(22) Filed: **Dec. 13, 2018**  
(51) **LOC (13) Cl.** ..... **13-03**  
(52) **U.S. Cl.**  
USPC ..... **D13/137.1; D13/139.4**  
(58) **Field of Classification Search**  
USPC ..... D13/103, 107, 108, 113, 118, 123, 133,  
D13/137.1-137.4  
CPC ..... H01R 25/006; H01R 13/00; H01R 13/04;  
H01R 13/10; H01R 13/6666; H01R  
13/6675  
See application file for complete search history.

**OTHER PUBLICATIONS**

Dekko.com; Ashley Link 60, Jul. 23, 2020, [online], [site visited Jul. 23, 2020], Available from Internet URL: [https://www.dekko.com/files/Brochure\\_-\\_Ashley\\_Link\\_60\\_REV\\_11.21.pdf](https://www.dekko.com/files/Brochure_-_Ashley_Link_60_REV_11.21.pdf).\*

\* cited by examiner

*Primary Examiner* — Sheryl Lane  
*Assistant Examiner* — Calvin E Vansant  
(74) *Attorney, Agent, or Firm* — Taylor IP, P.C.

(57) **CLAIM**

The ornamental design for an electrical receptacle, as shown and described.

(56) **References Cited**

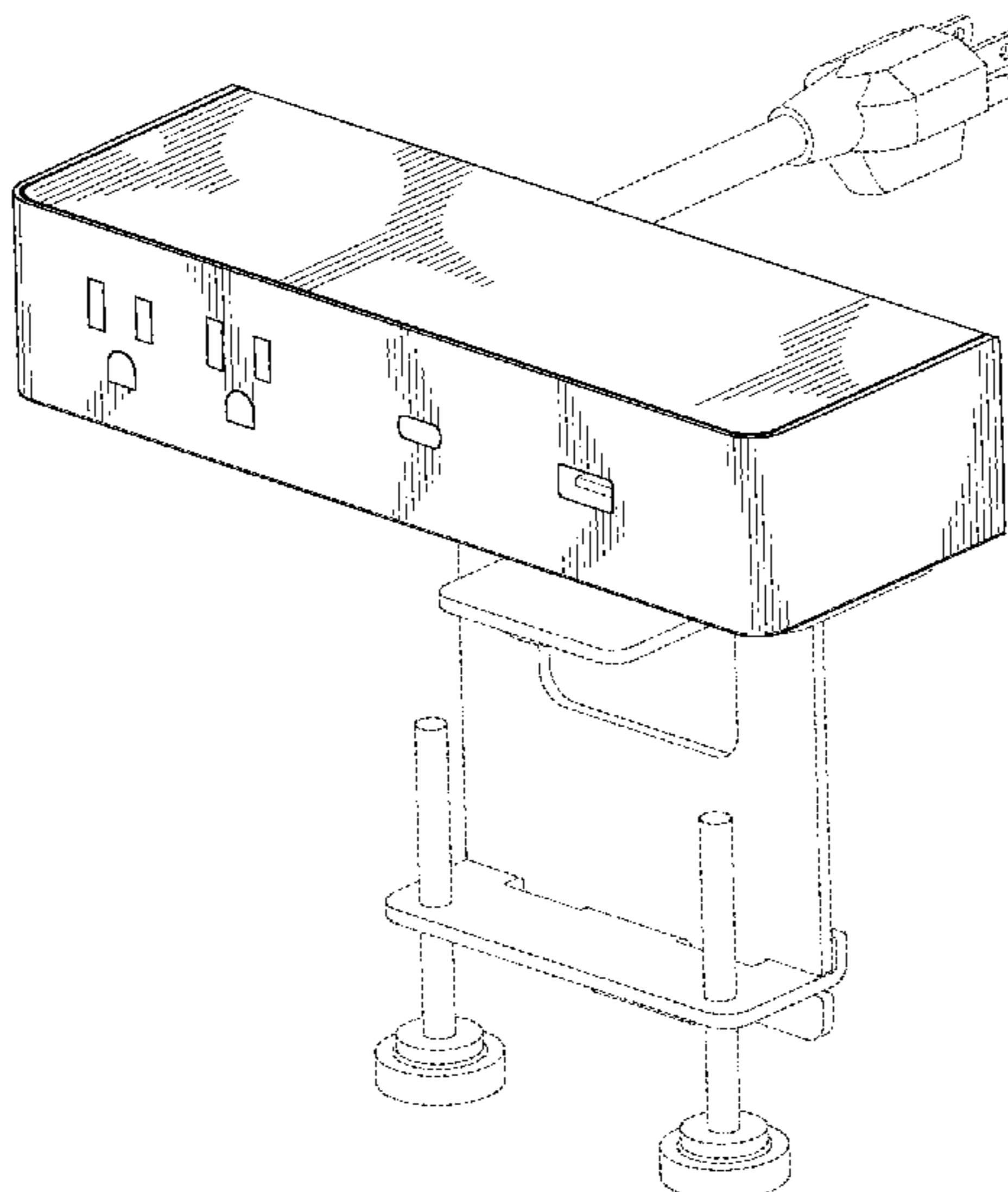
**U.S. PATENT DOCUMENTS**

7,140,922	B2	*	11/2006	Luu	.....	H01R 31/065 439/651
D680,953	S	*	4/2013	Kuo	.....	D13/137.2
D691,957	S	*	10/2013	Rupert	.....	D13/147
D740,228	S	*	10/2015	Page	.....	D13/139.4
D775,077	S	*	12/2016	Xu	.....	D13/137.2
D798,818	S	*	10/2017	Kondas	.....	D13/139.4
D799,428	S	*	10/2017	Kondas	.....	D13/139.4
D801,276	S	*	10/2017	Lin	.....	D13/139.7
D801,936	S	*	11/2017	Rose	.....	D13/139.4
D801,937	S	*	11/2017	Rose	.....	D13/139.4
D804,419	S	*	12/2017	Hayes	.....	D13/139.4
D812,009	S	*	3/2018	Hayes	.....	D13/139.4
D816,037	S	*	4/2018	Byrne	.....	D13/137.2

**DESCRIPTION**

FIG. 1 is a perspective view of an electrical receptacle showing my new design;  
FIG. 2 is a front view thereof;  
FIG. 3 is a rear view thereof;  
FIG. 4 is a top view thereof;  
FIG. 5 is a bottom view thereof; and,  
FIG. 6 is a side view thereof, the opposite side view being a mirror image.  
The broken lines shown in the electrical receptacle are for the purpose of illustrating portions of the article and environment that form no part of the claimed design.

**1 Claim, 3 Drawing Sheets**



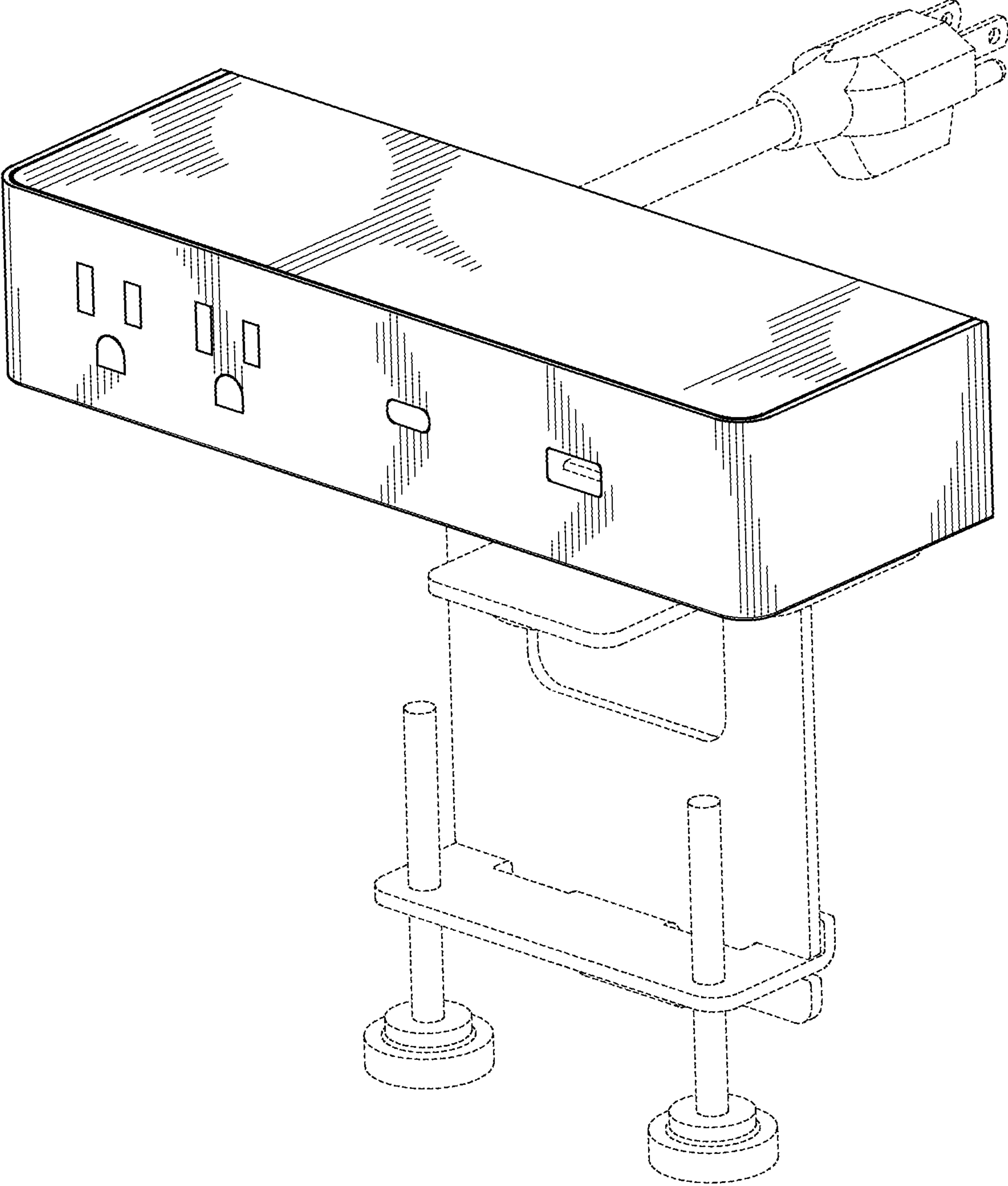


FIG. 1

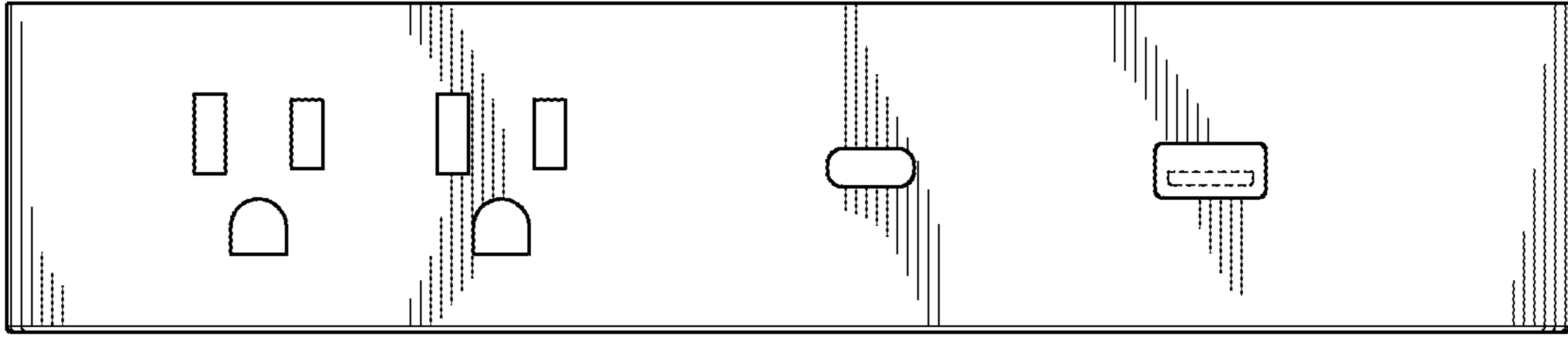


FIG. 2

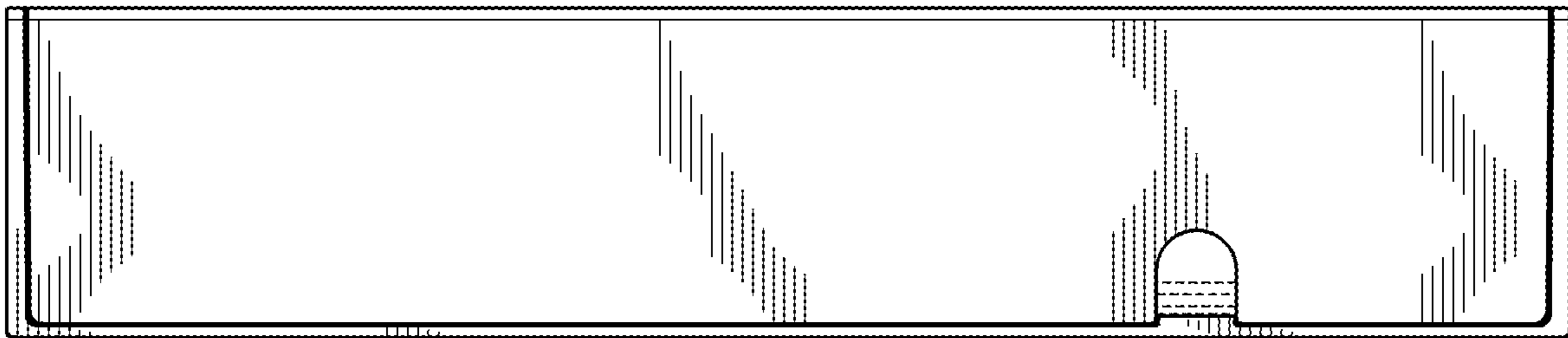


FIG. 3

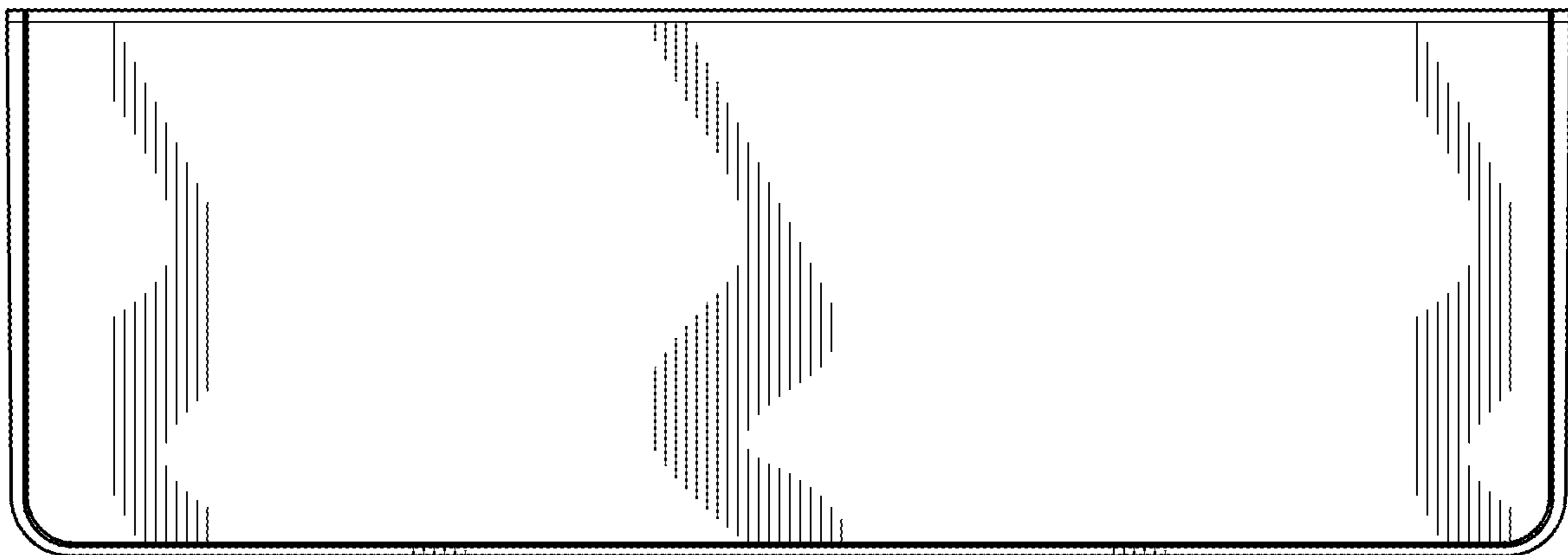


FIG. 4

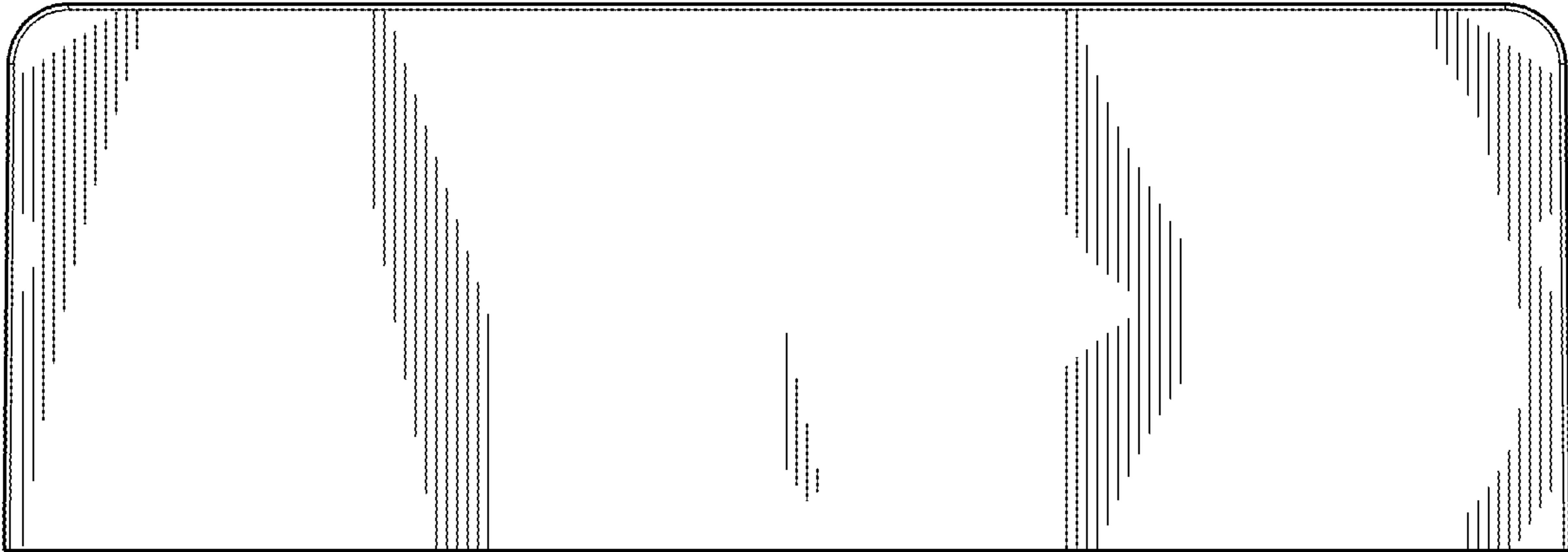


FIG. 5

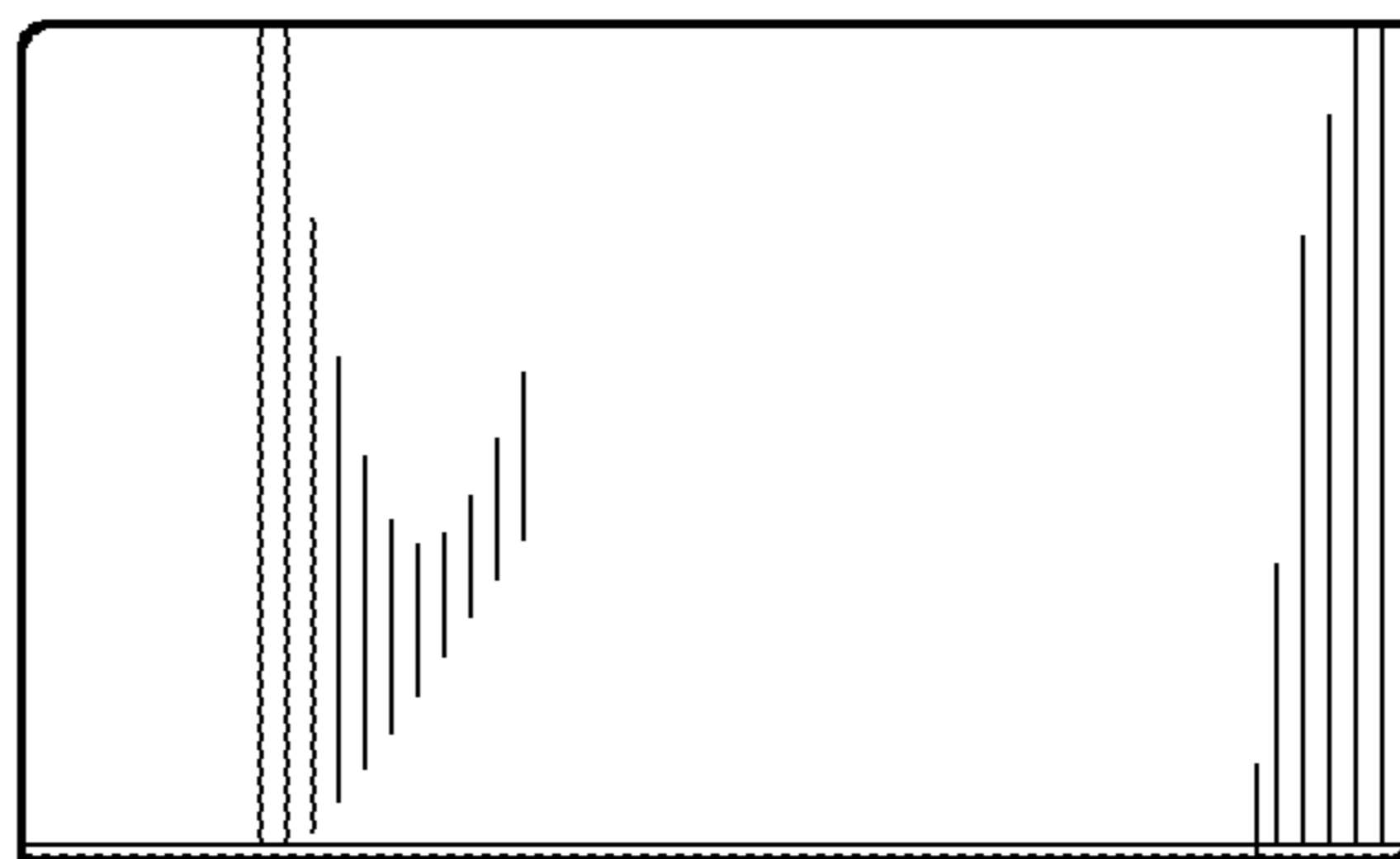


FIG. 6