



US00D930590S

(12) **United States Design Patent**
Gregori

(10) **Patent No.:** **US D930,590 S**
(45) **Date of Patent:** **** Sep. 14, 2021**

(54) **CONNECTOR HOUSING**

DESCRIPTION

(71) Applicant: **Molex, LLC**, Lisle, IL (US)
(72) Inventor: **Timothy R. Gregori**, New Lenox, IL (US)
(73) Assignee: **Molex, LLC**, Lisle, IL (US)
(**) Term: **15 Years**
(21) Appl. No.: **29/638,767**
(22) Filed: **Feb. 28, 2018**
(51) **LOC (13) Cl.** **13-03**
(52) **U.S. Cl.**
USPC **D13/133**
(58) **Field of Classification Search**
USPC D13/107, 110, 120, 133, 134, 146, 148,
D13/149, 155, 156, 157, 184, 199;
D8/396, 356; D23/242; D24/129
(Continued)

(56) **References Cited**

U.S. PATENT DOCUMENTS

D308,512 S 6/1990 Endo et al.
D308,513 S 6/1990 Endo et al.
(Continued)

FOREIGN PATENT DOCUMENTS

TW D146800 5/2012
TW D157157 11/2013
TW D188260 2/2018

Primary Examiner — Jennifer O King

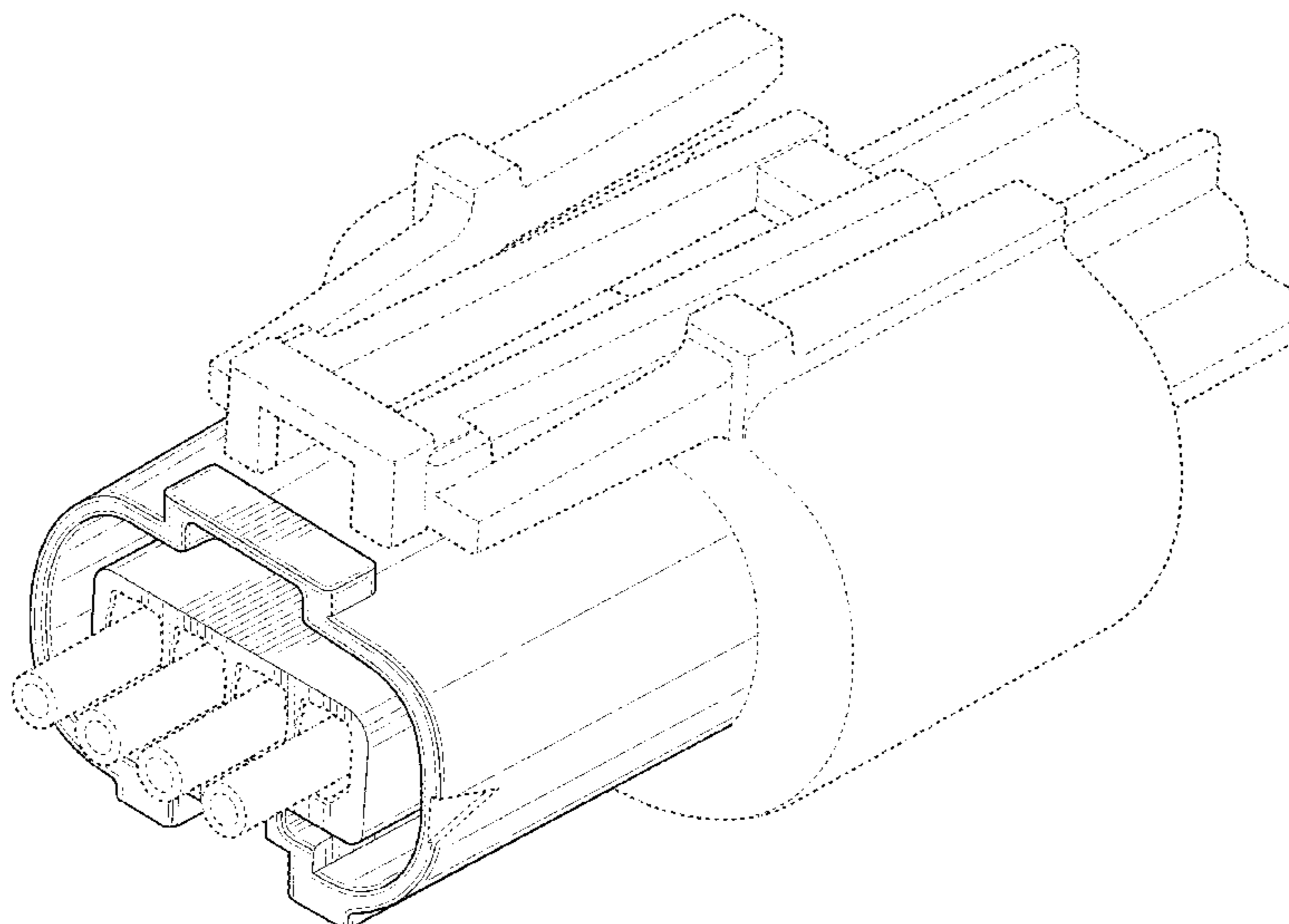
(74) *Attorney, Agent, or Firm* — Banner & Witcoff, Ltd.

(57) **CLAIM**

The ornamental design for a connector housing, as shown and described.

FIG. 1 is a front perspective view of a connector housing showing my new design;
FIG. 2 is a front view thereof;
FIG. 3 is a rear view thereof;
FIG. 4 is a right side view thereof;
FIG. 5 is a left side view thereof;
FIG. 6 is a top view thereof;
FIG. 7 is a bottom view thereof;
FIG. 8 is a rear perspective view thereof;
FIG. 9 is a front perspective view of an alternate embodiment of the connector housing showing my new design;
FIG. 10 is a front view thereof;
FIG. 11 is a rear view thereof;
FIG. 12 is a right side view thereof;
FIG. 13 is a left side view thereof;
FIG. 14 is a top view thereof;
FIG. 15 is a bottom view thereof;
FIG. 16 is a rear perspective view thereof;
FIG. 17 is a front perspective view of an alternate embodiment of the connector housing showing my new design;
FIG. 18 is a front view thereof;
FIG. 19 is a rear view thereof;
FIG. 20 is a right side view thereof;
FIG. 21 is a left side view thereof;
FIG. 22 is a top view thereof;
FIG. 23 is a bottom view thereof;
FIG. 24 is a rear perspective view thereof;
FIG. 25 is a front perspective view of an alternate embodiment of the connector housing showing my new design;
FIG. 26 is a front view thereof;
FIG. 27 is a rear view thereof;
FIG. 28 is a right side view thereof;
FIG. 29 is a left side view thereof;
FIG. 30 is a top view thereof;
FIG. 31 is a bottom view thereof; and,
FIG. 32 is a rear perspective view thereof.
The broken lines depicting the remainder of the connector housing show features that form no part of the claimed design. The unshaded regions form no part of the claimed design.

1 Claim, 32 Drawing Sheets



(58) **Field of Classification Search**
 CPC H01R 13/447; H01R 13/6277; H01R
 2201/26; G02B 6/3887; G02B 6/4471
 See application file for complete search history.

(56) **References Cited**

U.S. PATENT DOCUMENTS

D315,717 S 3/1991 Takenouchi et al.
 D319,813 S * 9/1991 Kozono D13/133
 D323,316 S 1/1992 Ohkura et al.
 D323,485 S 1/1992 Ohkura et al.
 D336,283 S * 6/1993 Ohkura D13/147
 D410,629 S * 6/1999 Bandura D13/147
 6,077,101 A 6/2000 Garretson et al.
 D463,776 S 10/2002 Chen
 D479,199 S 9/2003 Jones et al.
 D488,782 S * 4/2004 Kashiyama D13/133
 D643,817 S 8/2011 Ando et al.

8,016,606 B1 9/2011 Kwan et al.
 D704,647 S 5/2014 Grant et al.
 9,812,813 B1 11/2017 Sakamoto et al.
 D845,242 S * 4/2019 Gregori D13/133
 D848,952 S * 5/2019 Gregori D13/147
 D848,953 S * 5/2019 Gregori D13/147
 D892,743 S * 8/2020 Somanathapura Ramanna
 D13/133
 D893,426 S * 8/2020 Somanathapura Ramanna
 D13/133
 2002/0111059 A1 8/2002 Raudenbush et al.
 2006/0240718 A1 10/2006 Osada et al.
 2007/0161284 A1 7/2007 Tyler
 2008/0233773 A1 9/2008 Meleck
 2016/0164224 A1 * 6/2016 Sekino H01R 13/6272
 439/352
 2017/0179646 A1 6/2017 Holub
 2017/0317448 A1 11/2017 Benichou et al.

* cited by examiner

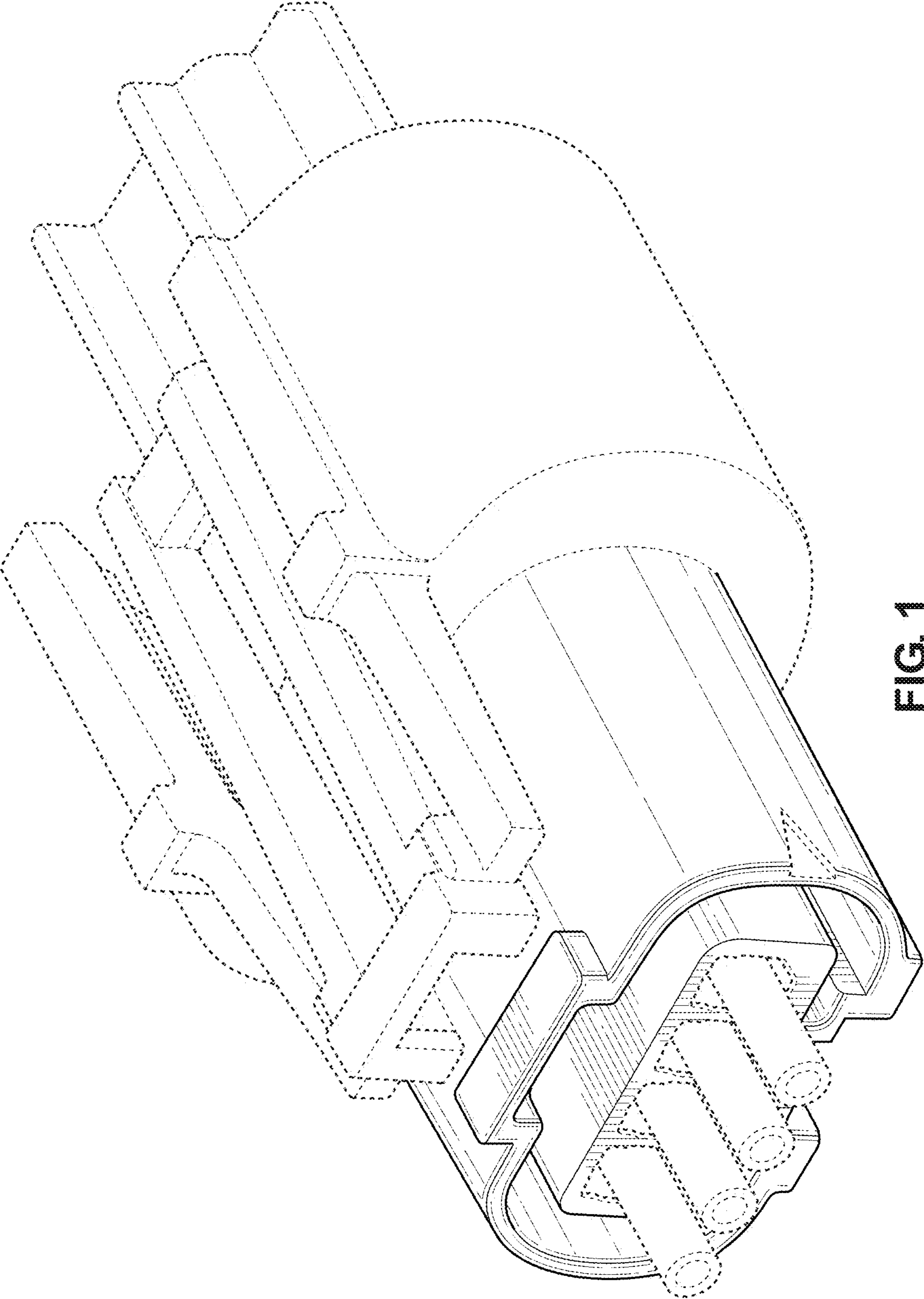


FIG. 1

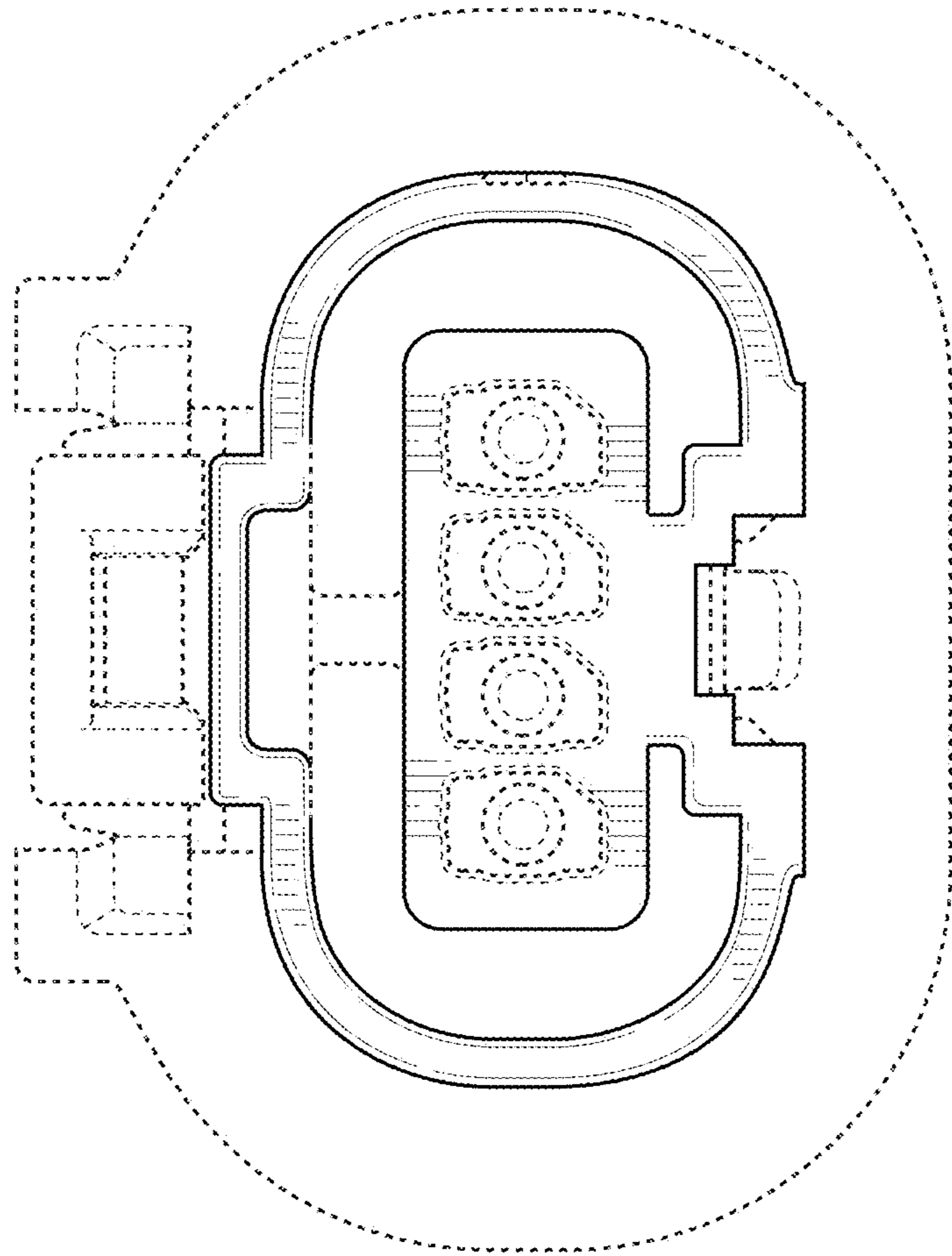


FIG. 2

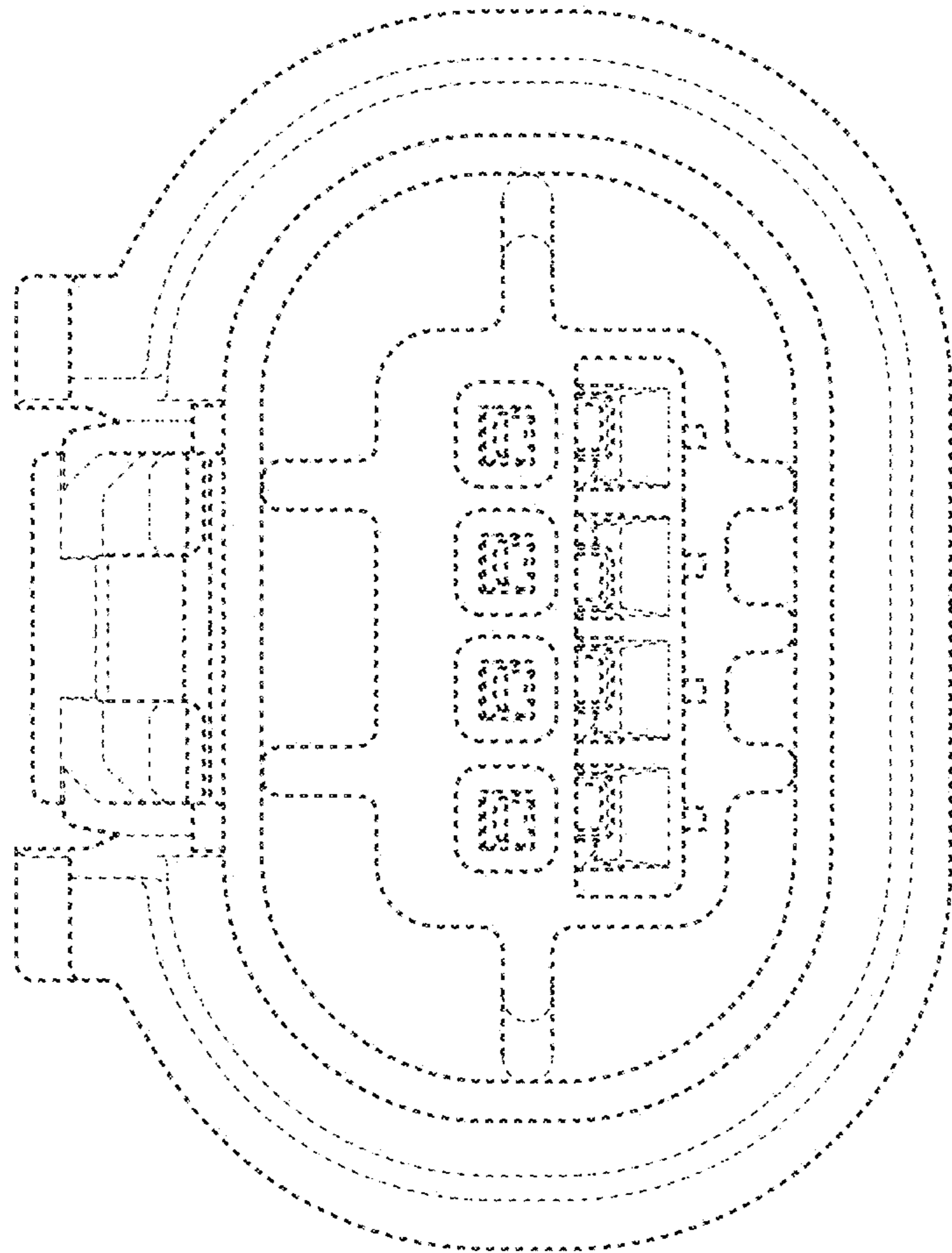


FIG. 3

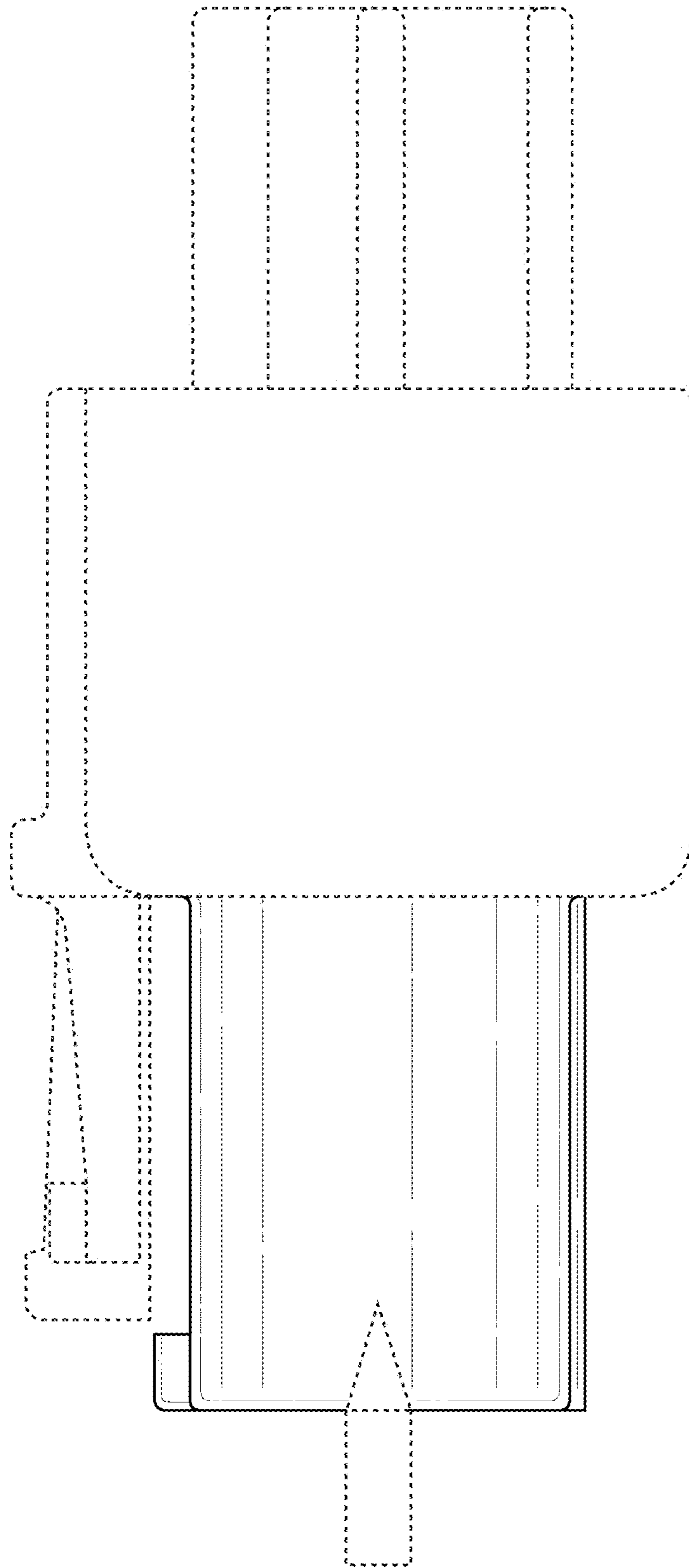


FIG. 4

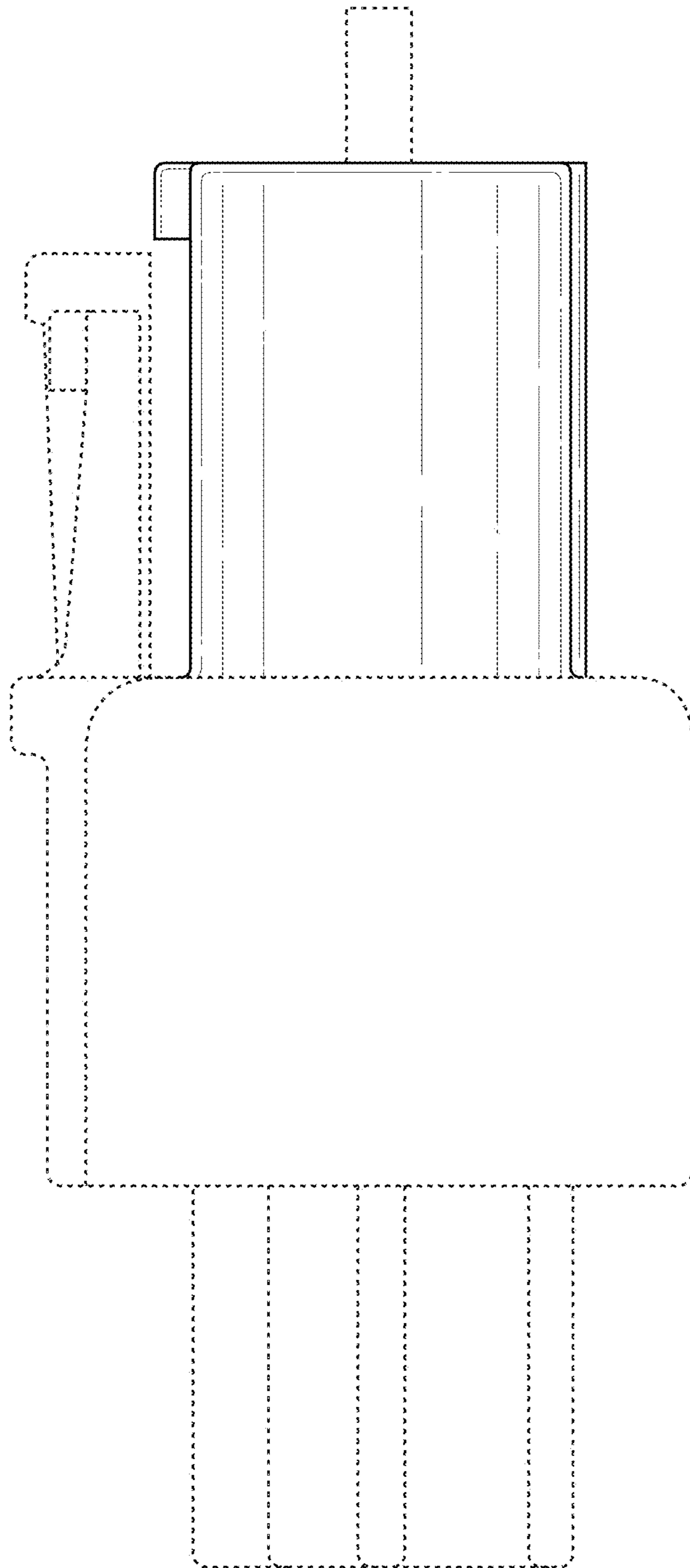


FIG. 5

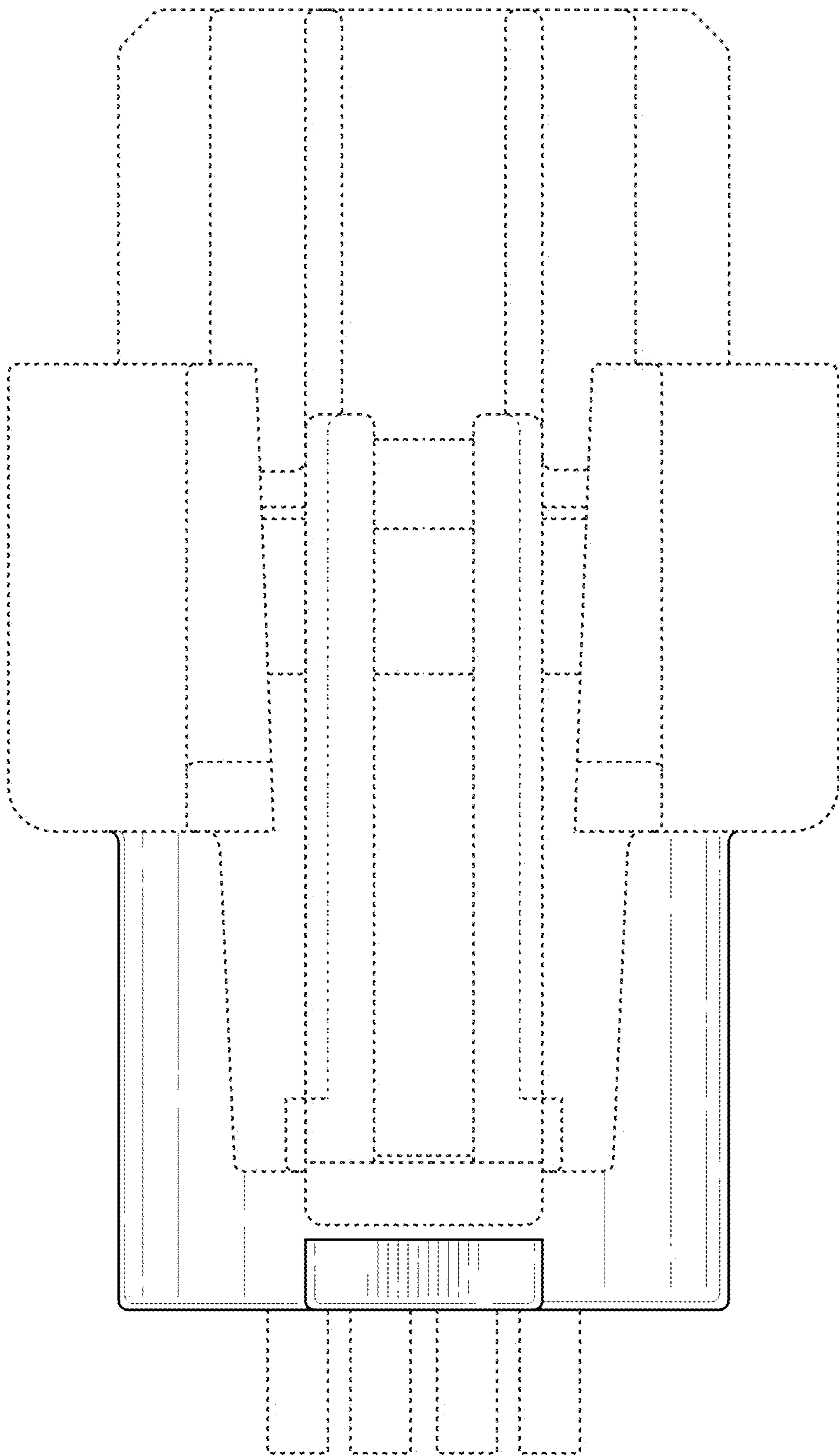


FIG. 6

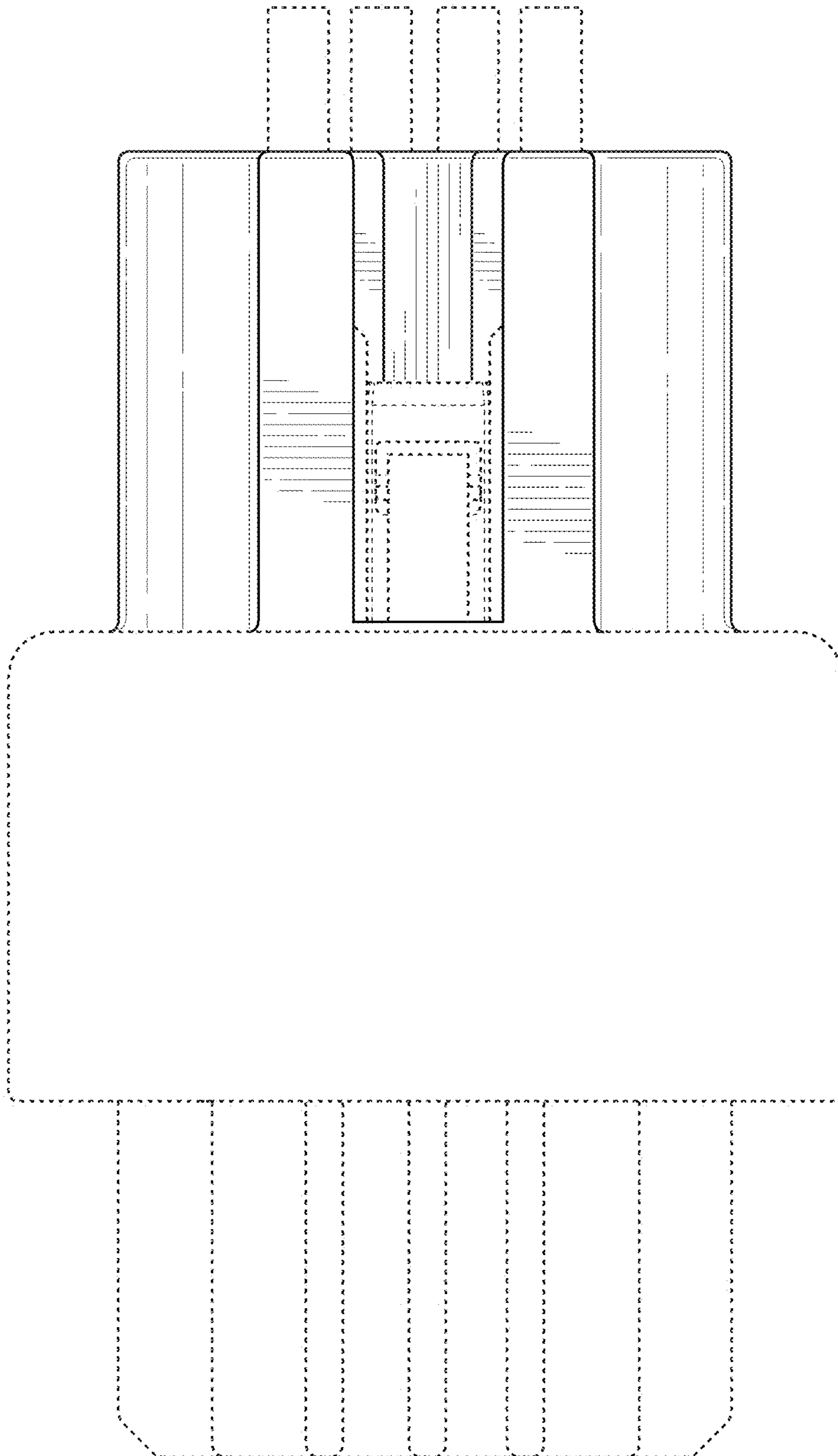


FIG. 7

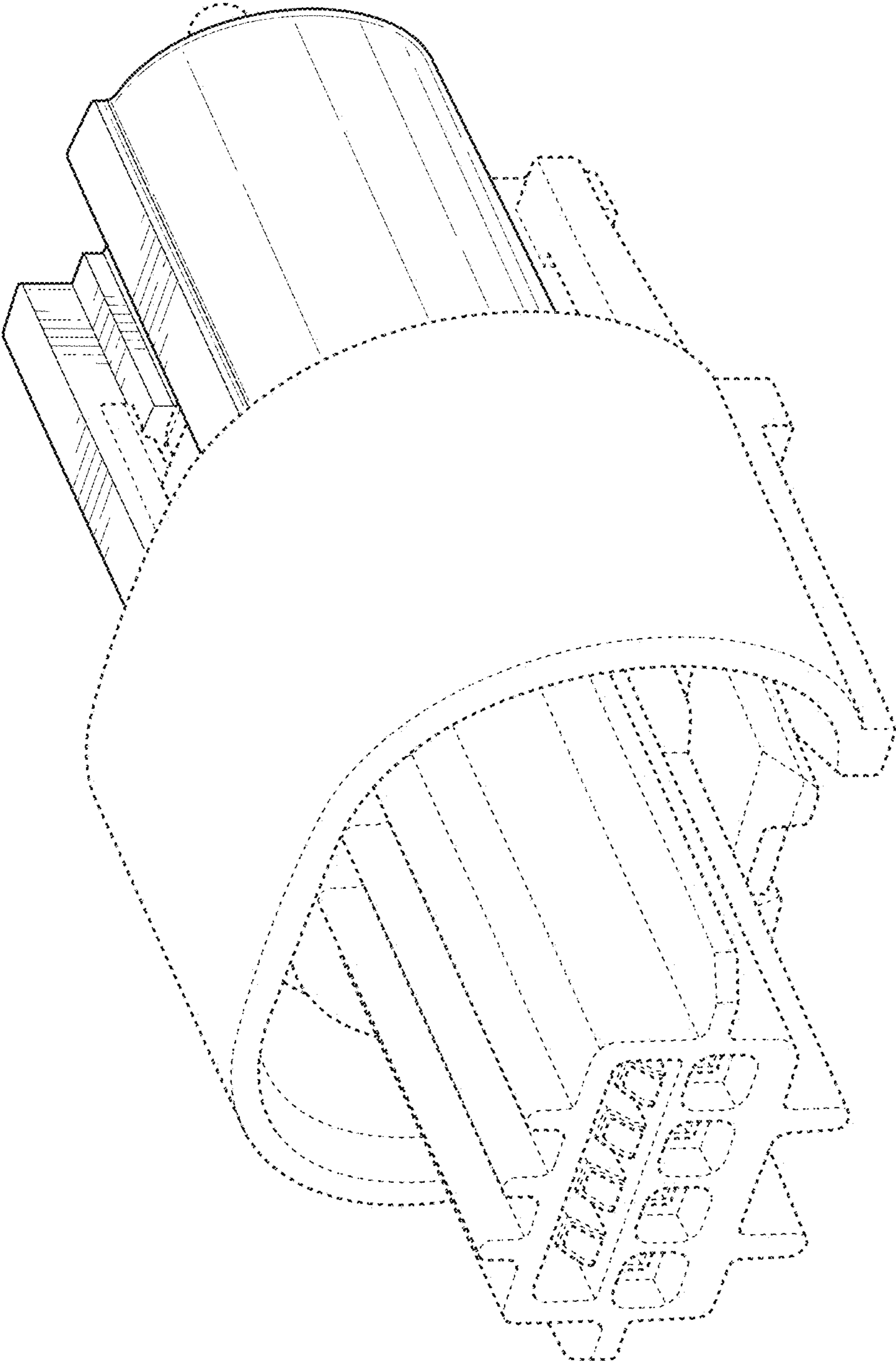


FIG. 8

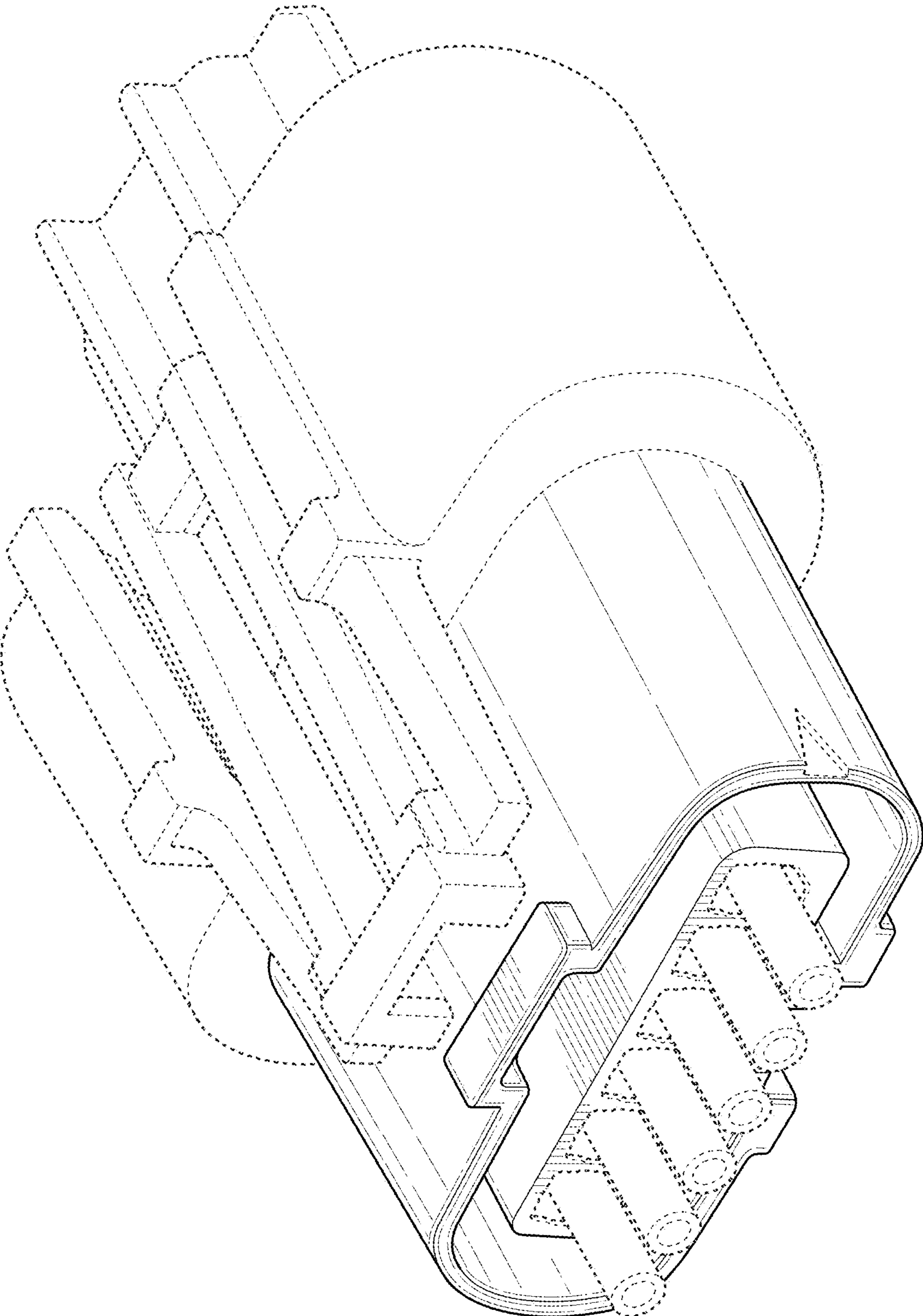


FIG. 9

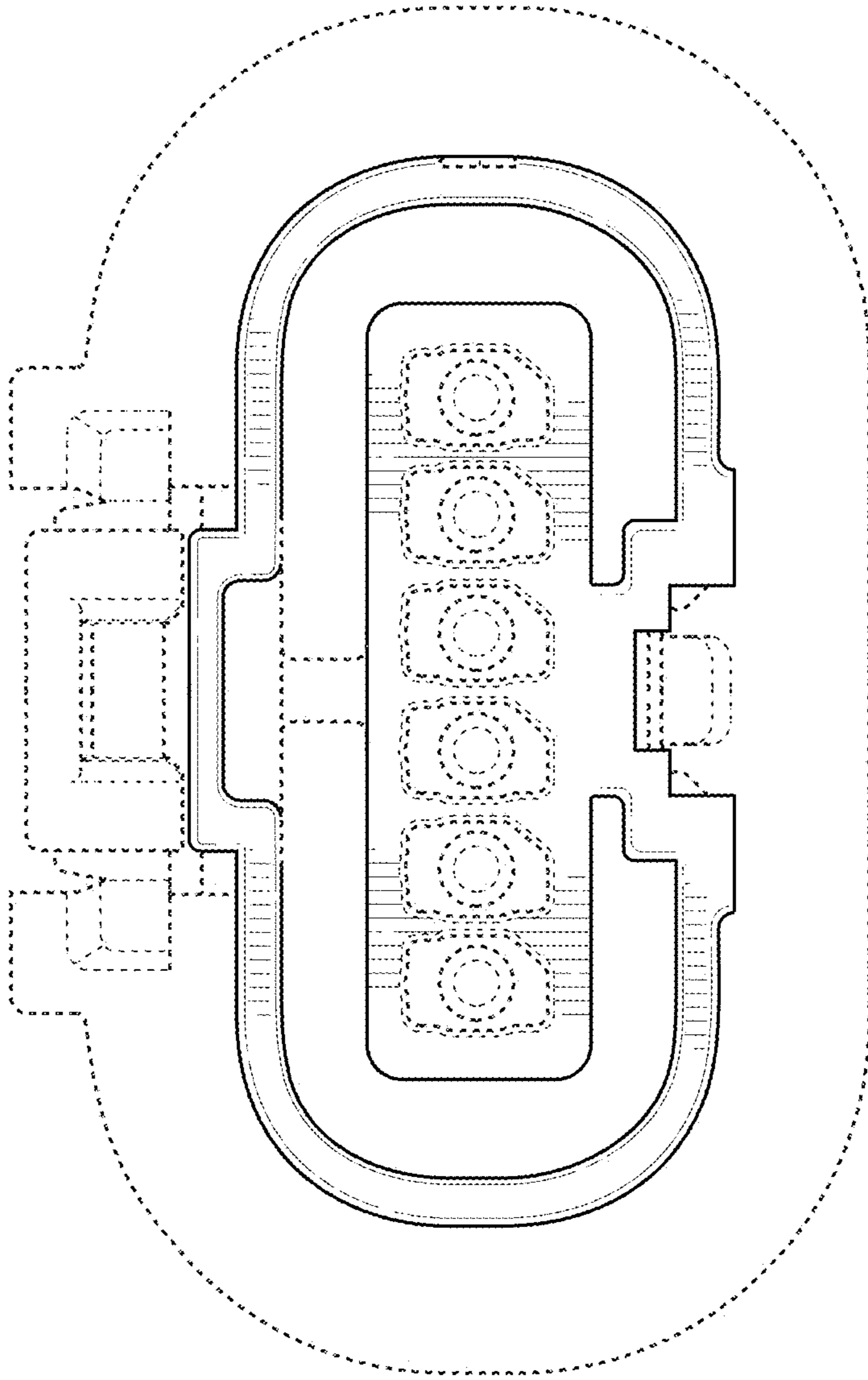


FIG. 10

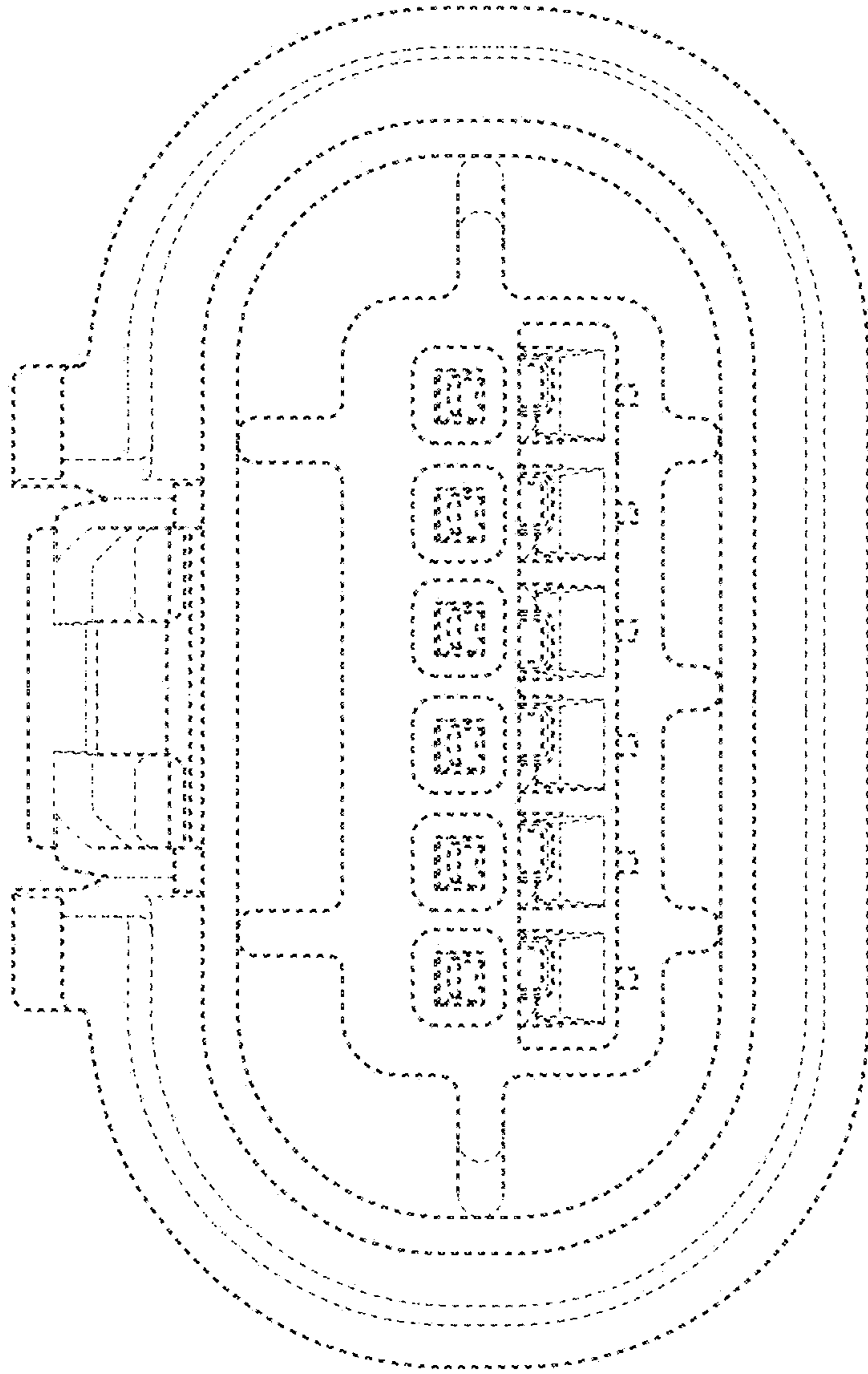


FIG. 11

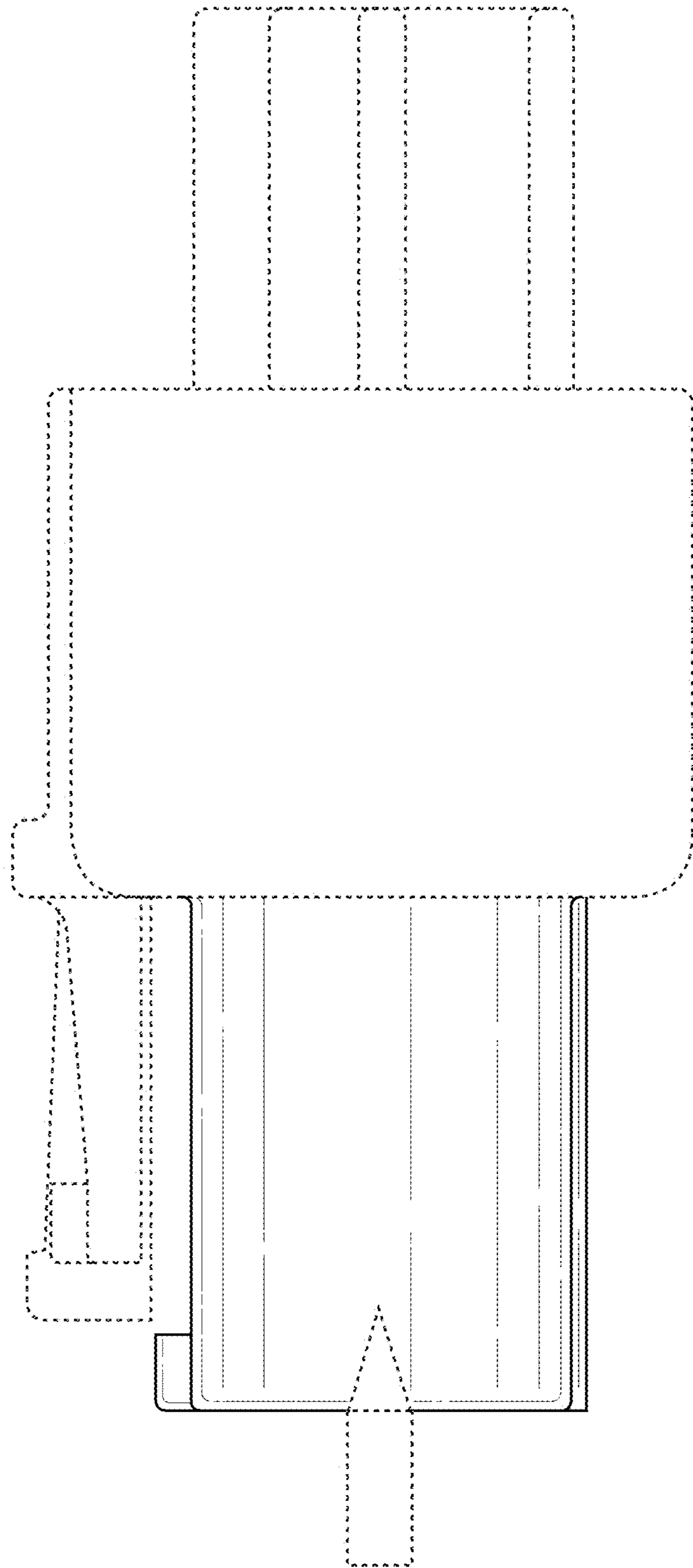


FIG. 12

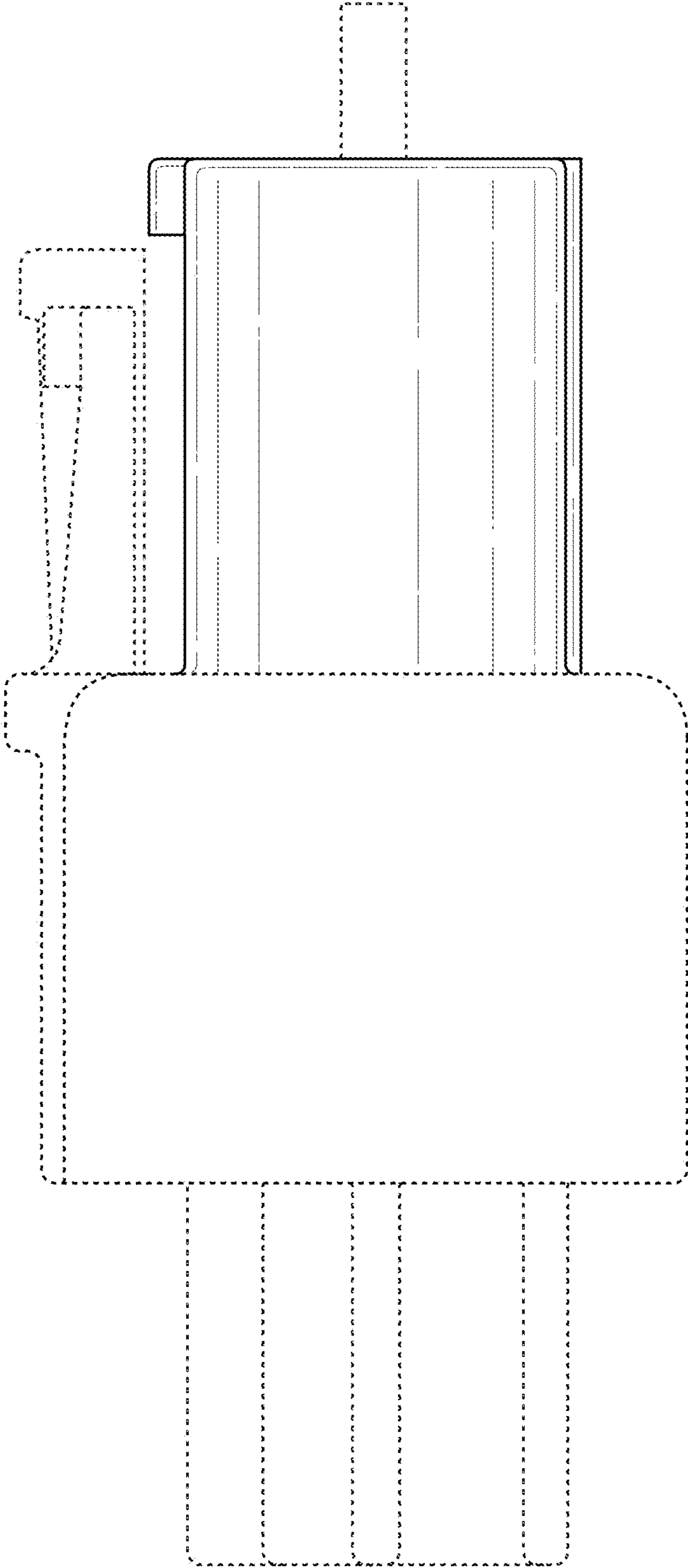


FIG. 13

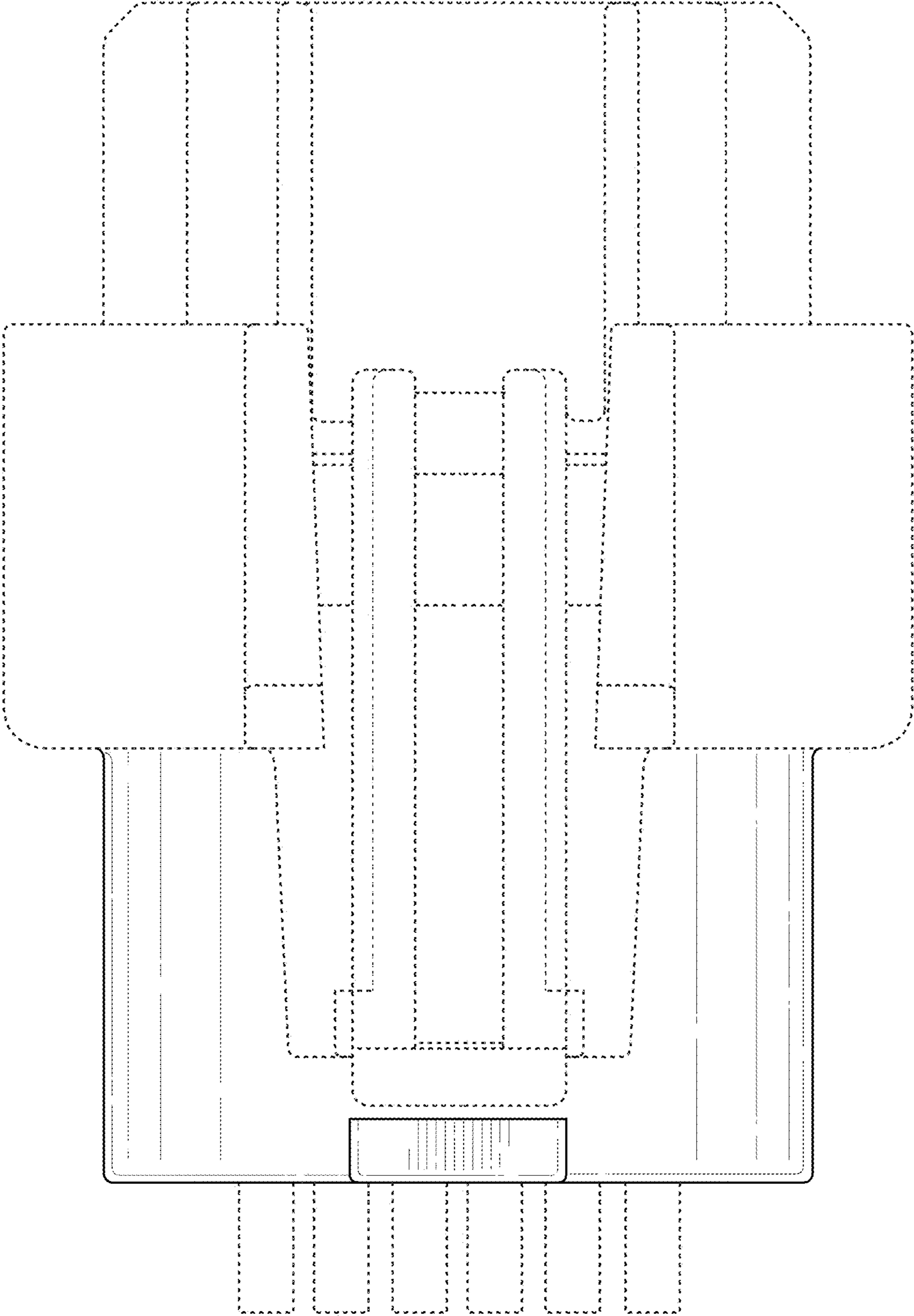


FIG. 14

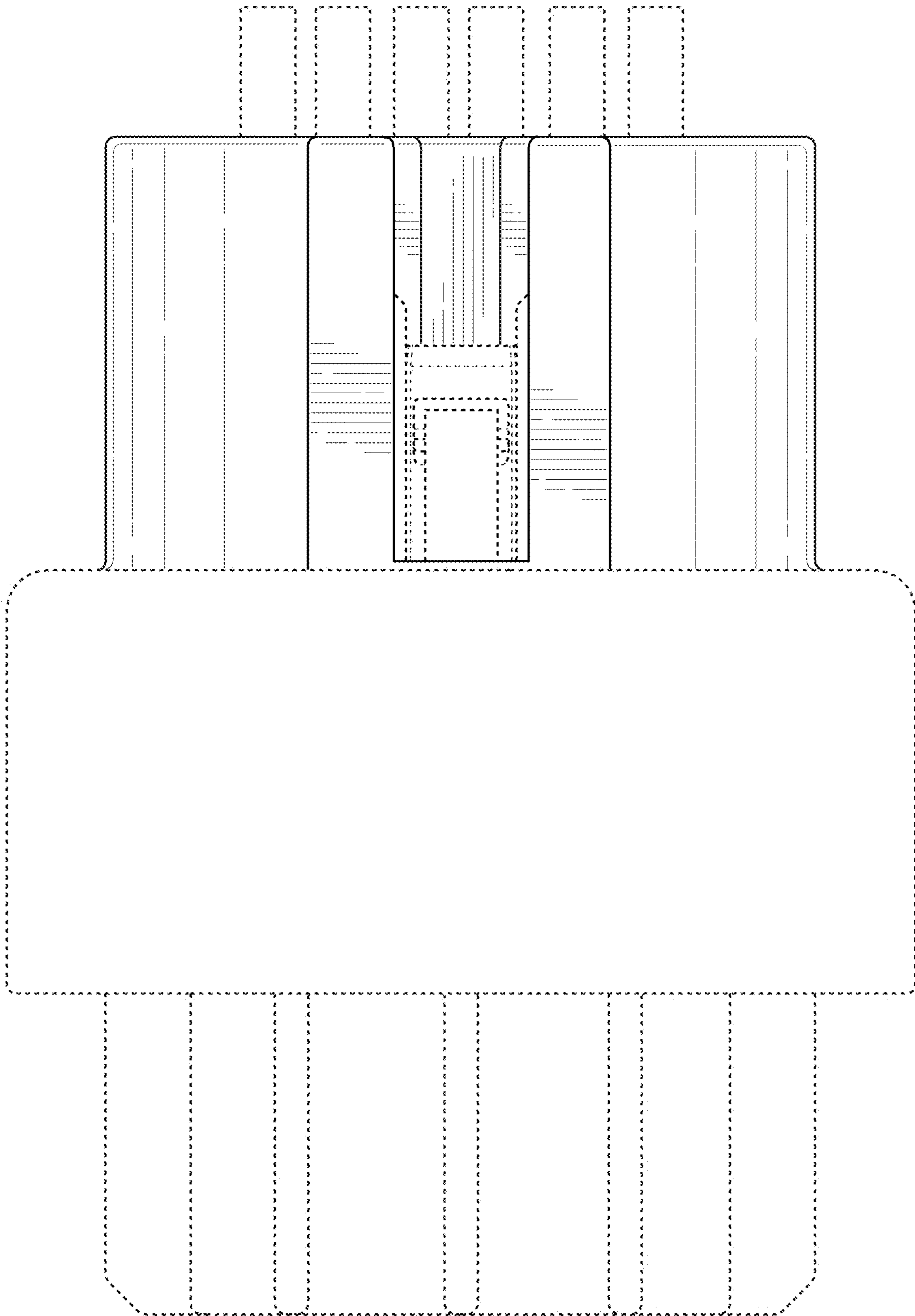


FIG. 15

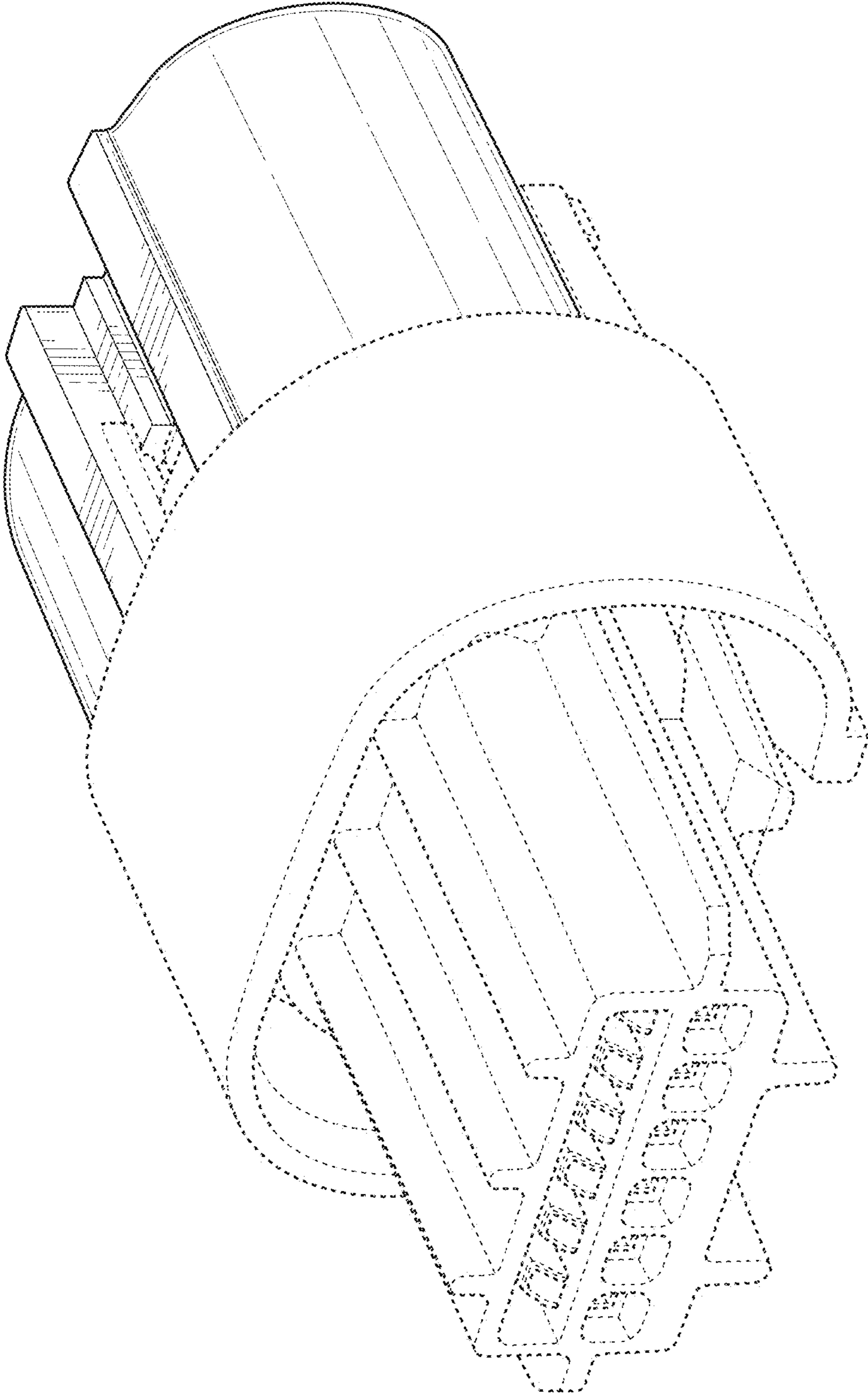


FIG. 16

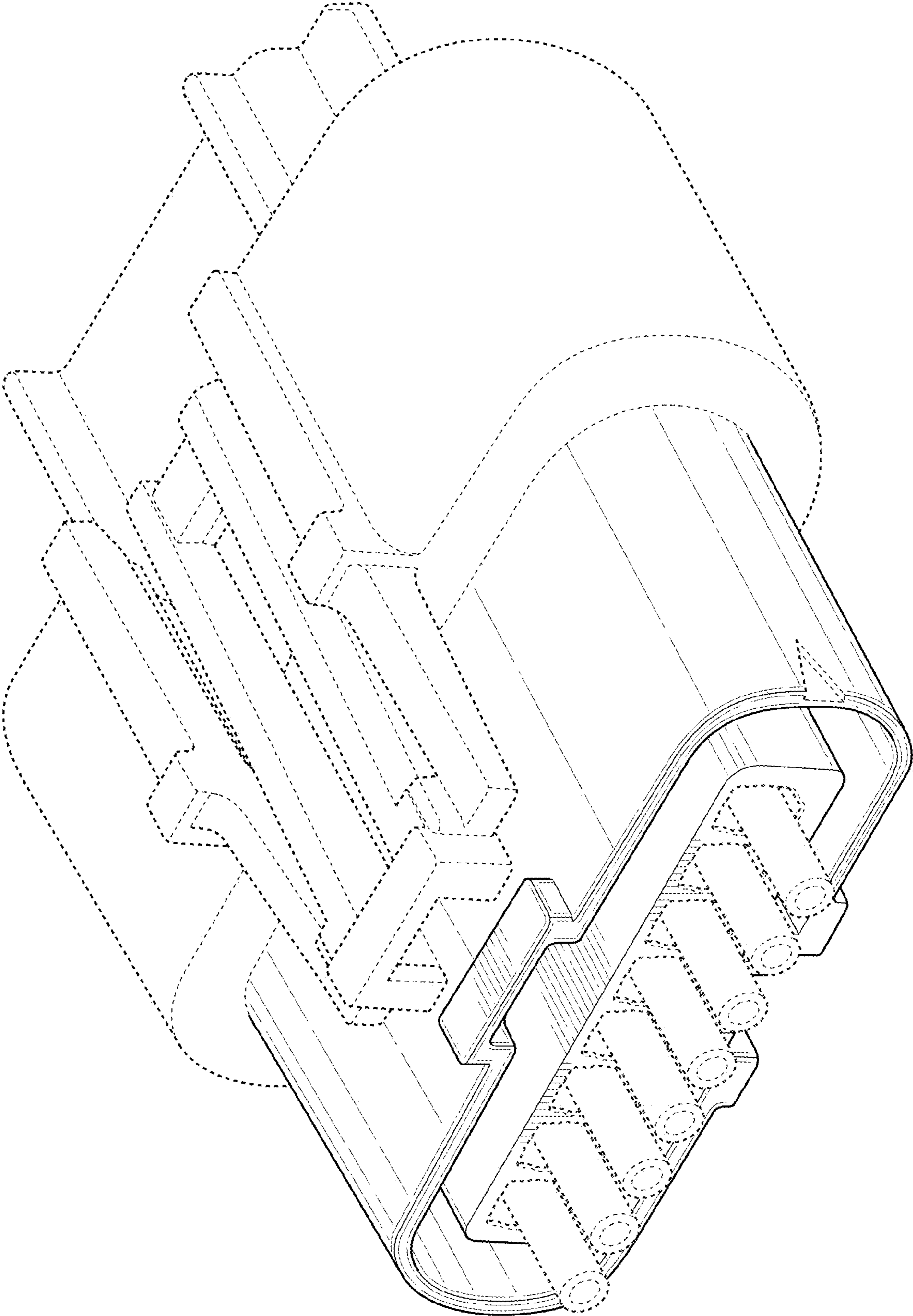


FIG. 17

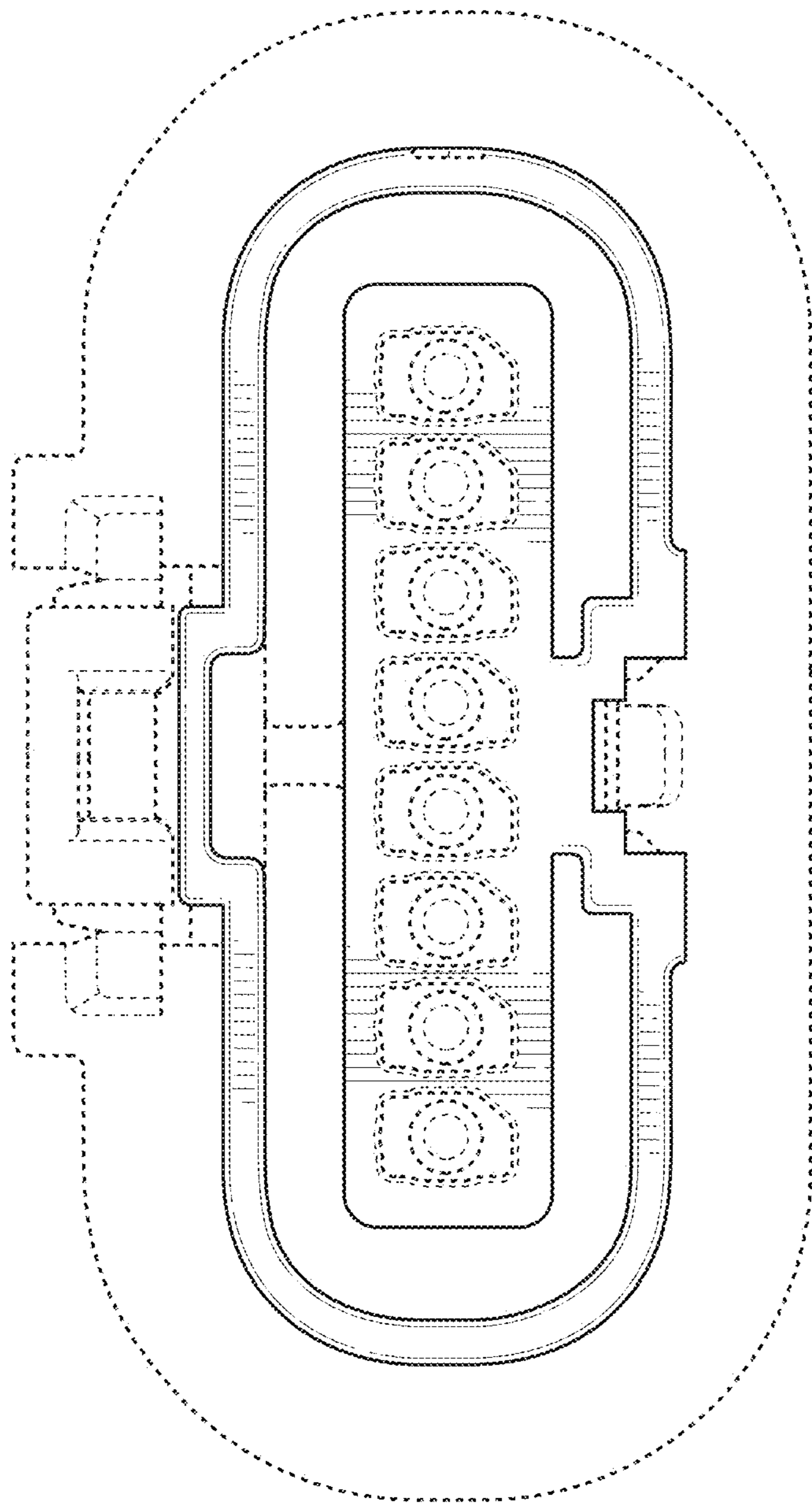


FIG. 18

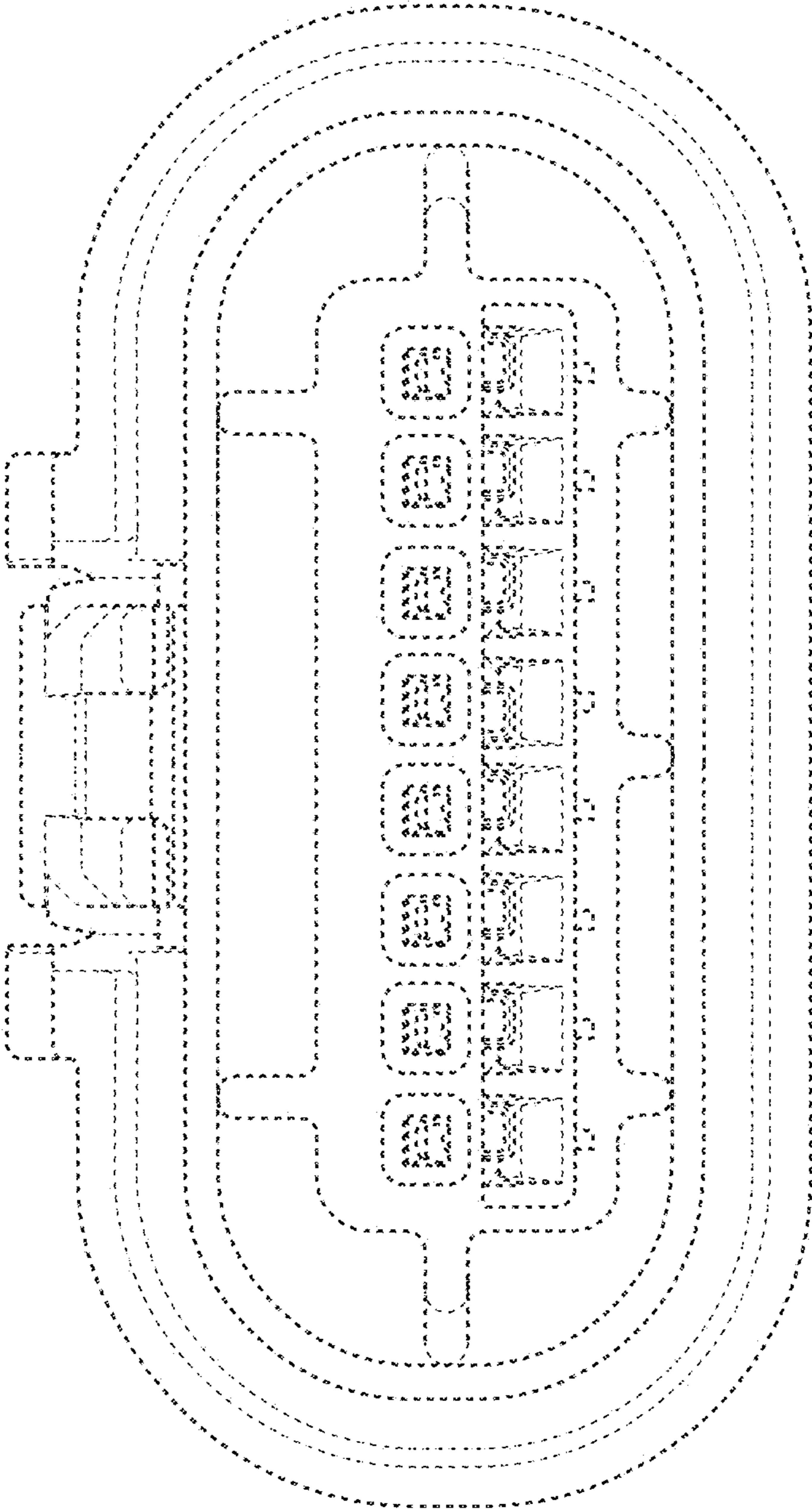


FIG. 19

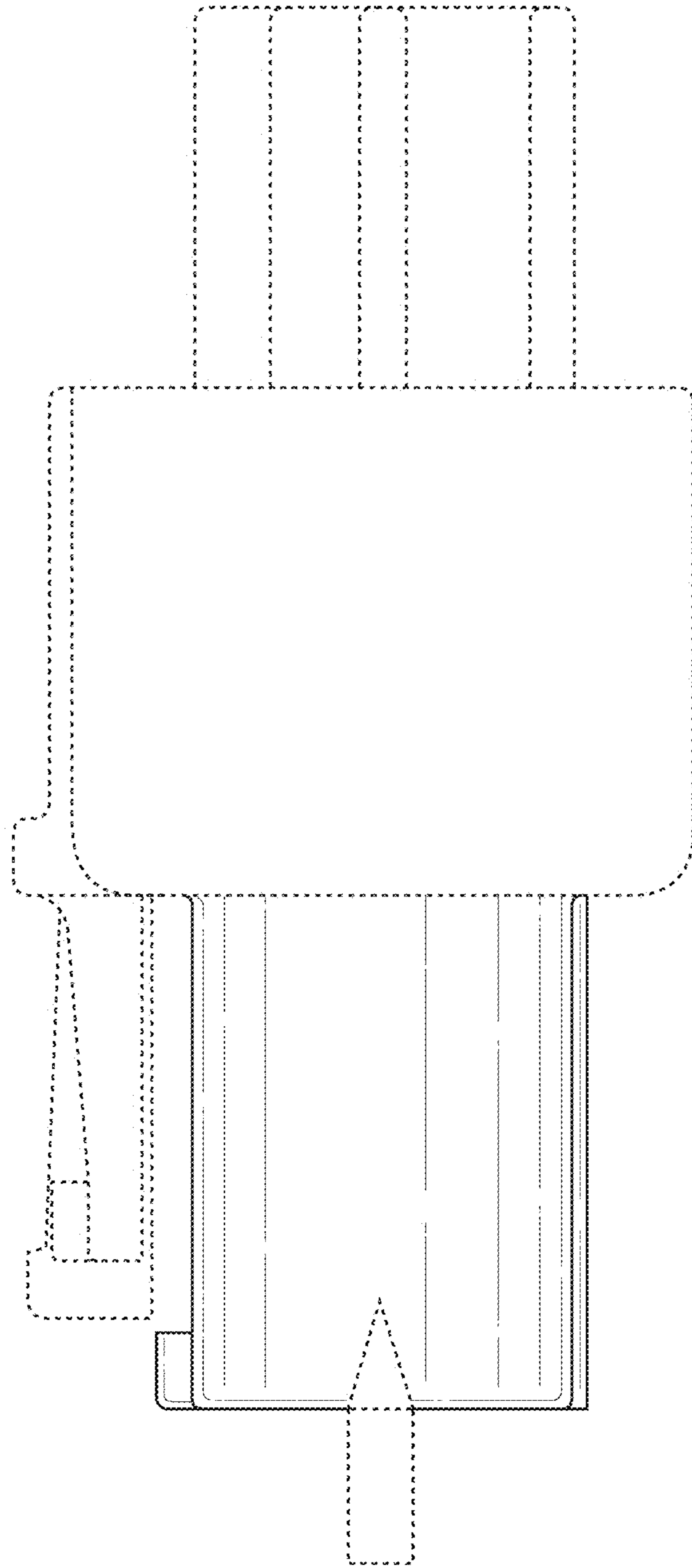


FIG. 20

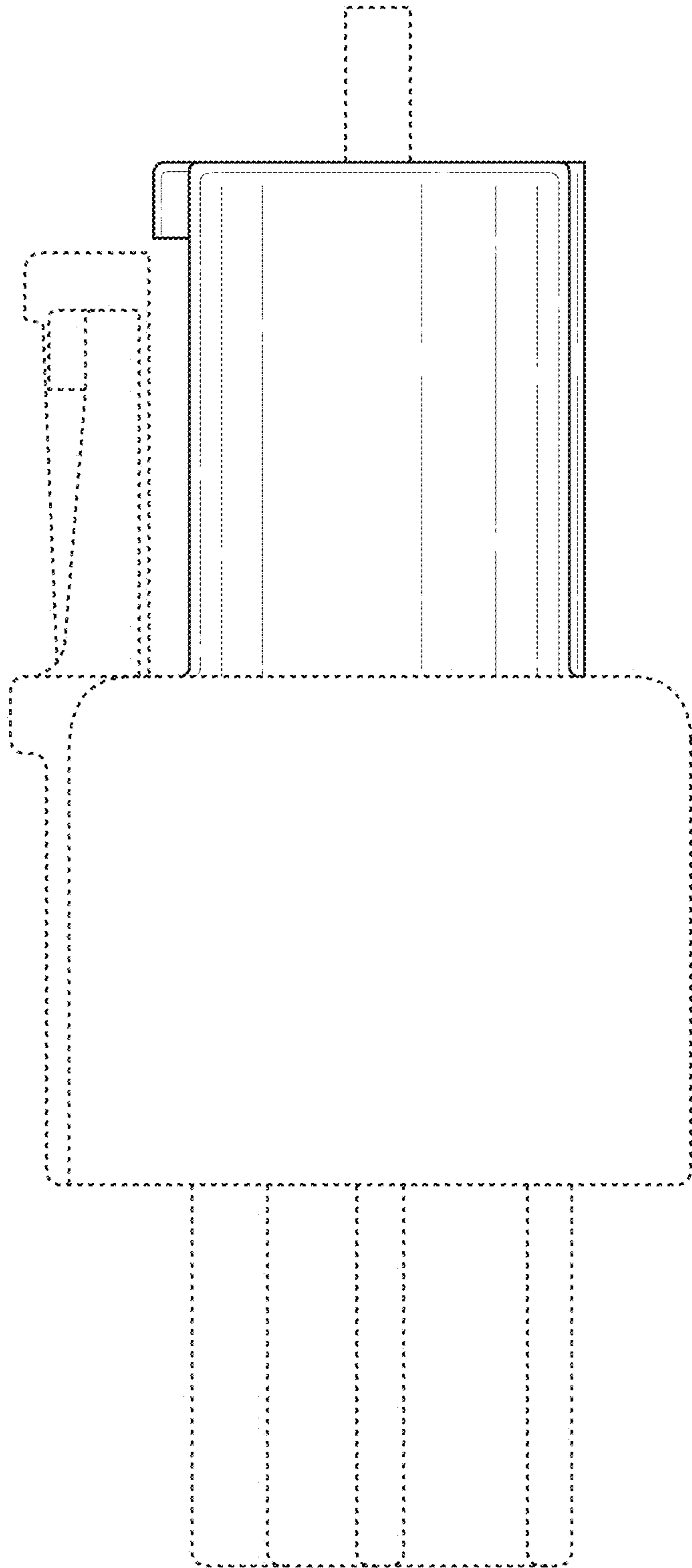


FIG. 21

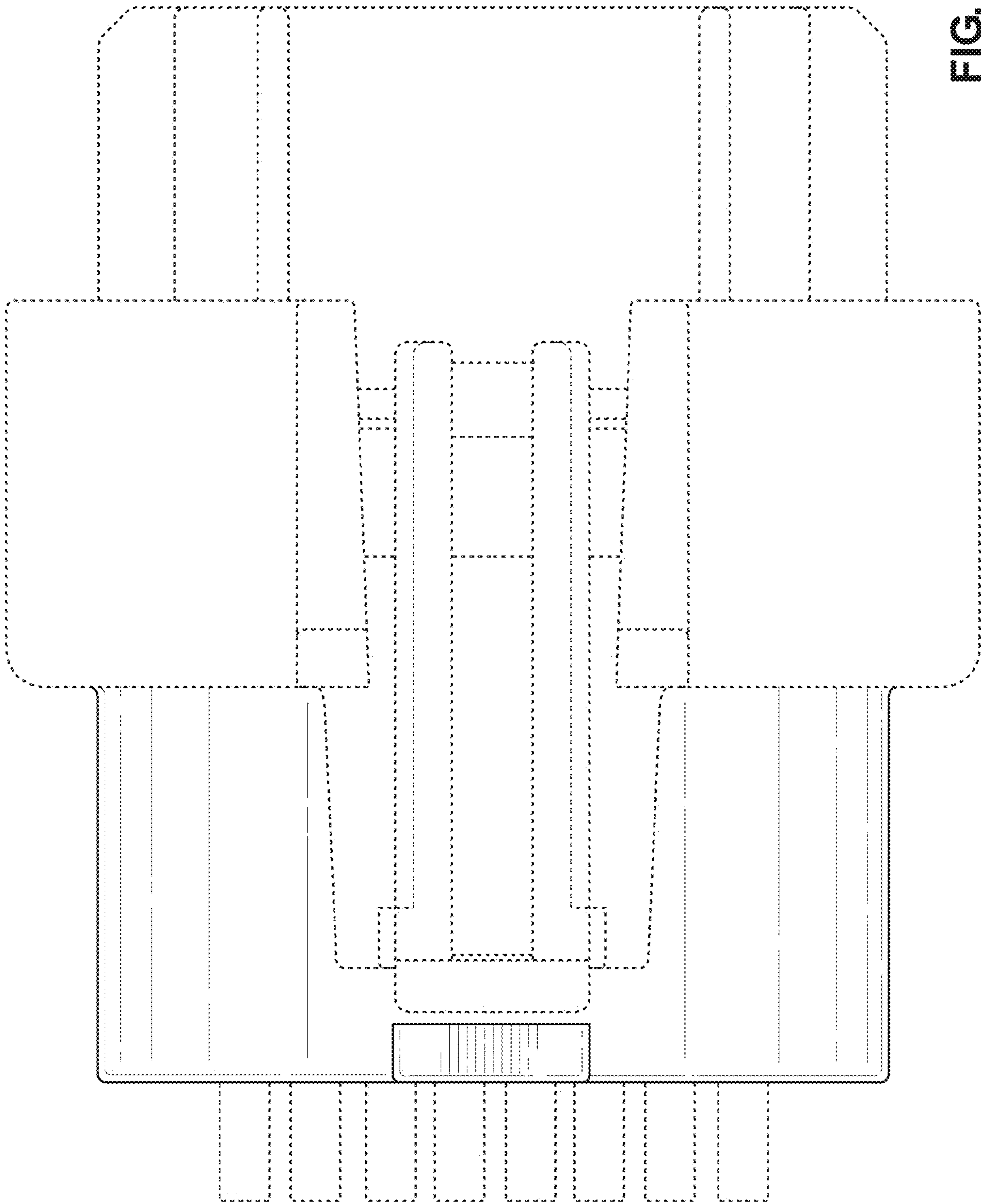


FIG. 22

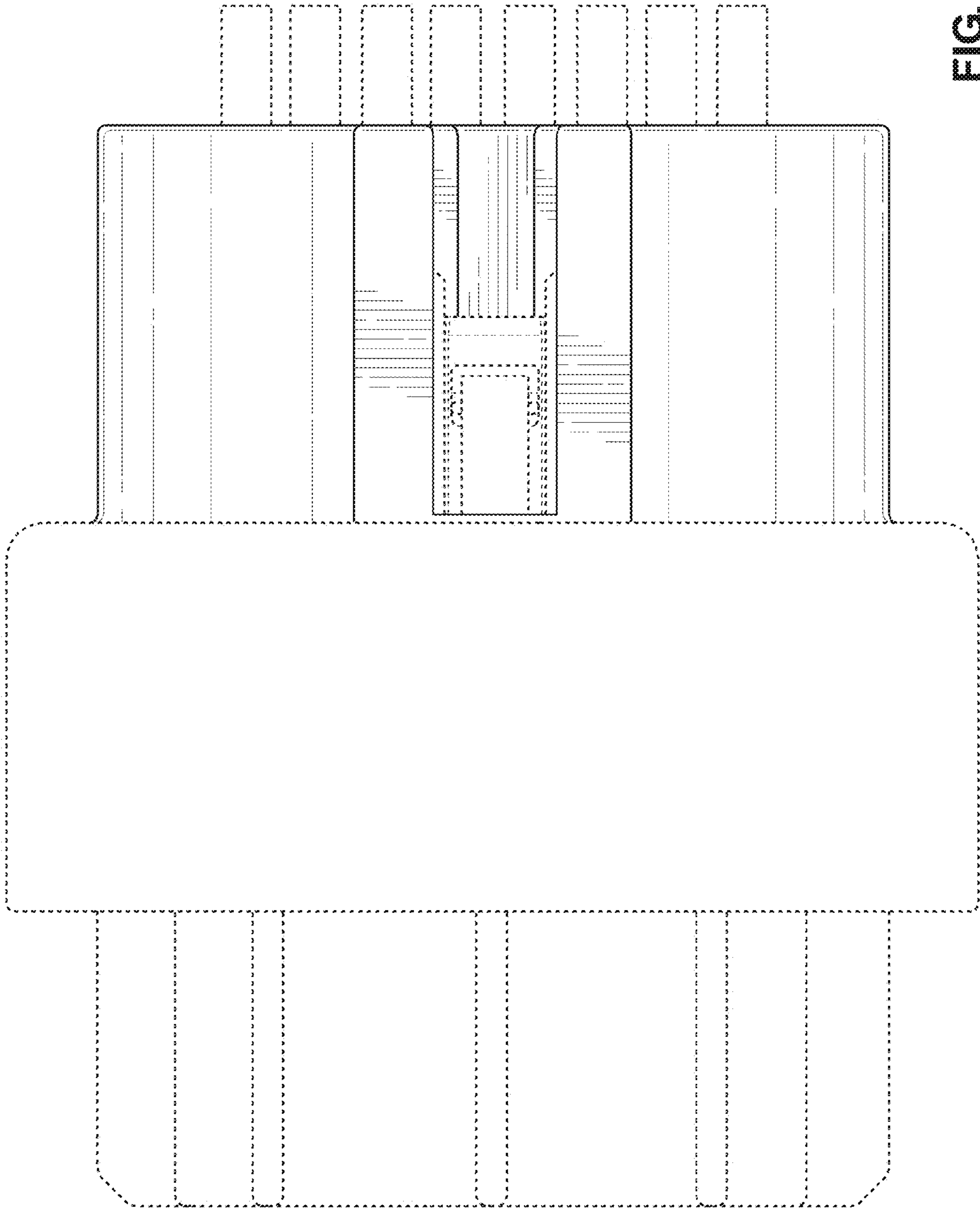


FIG. 23

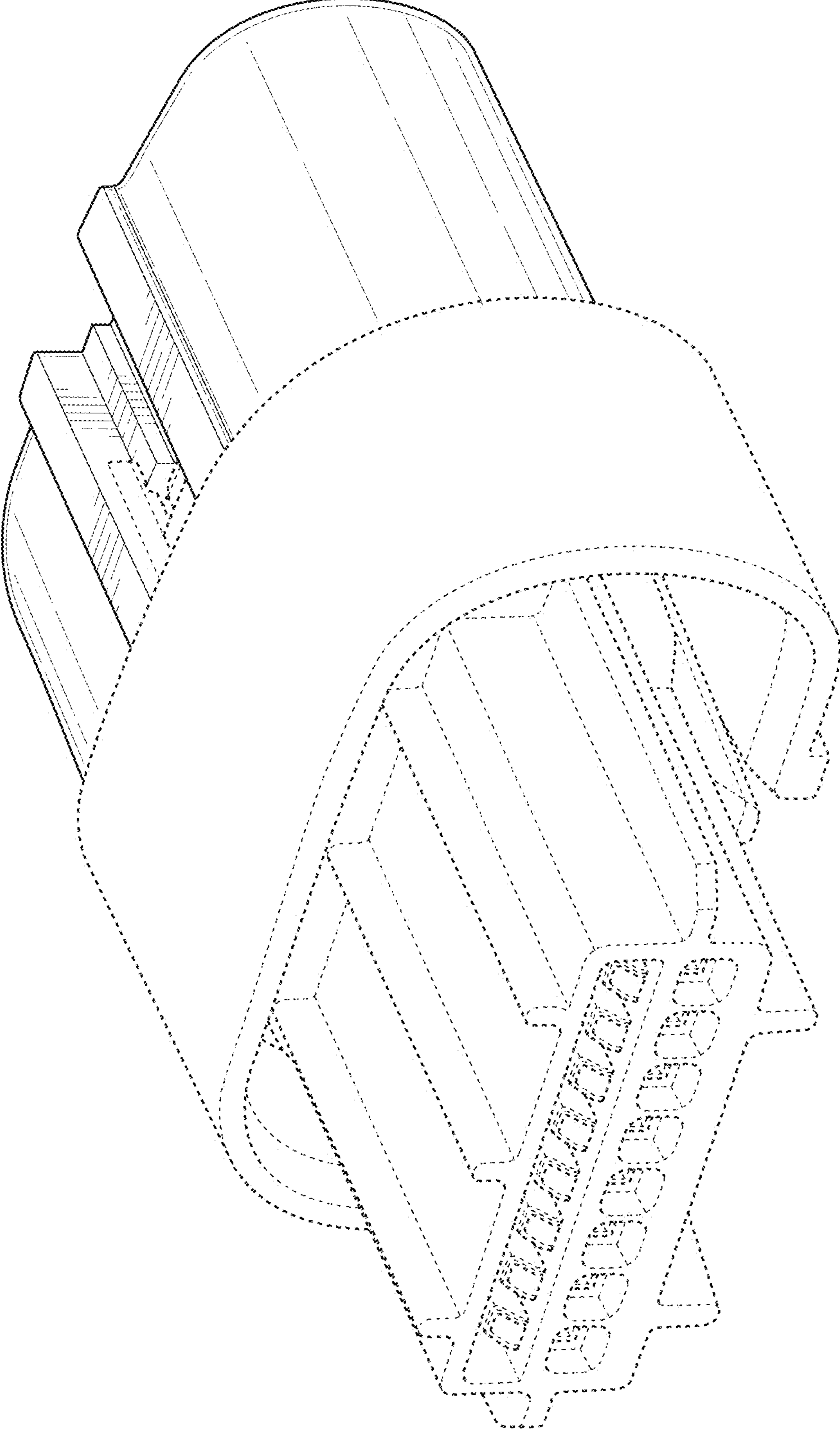


FIG. 24

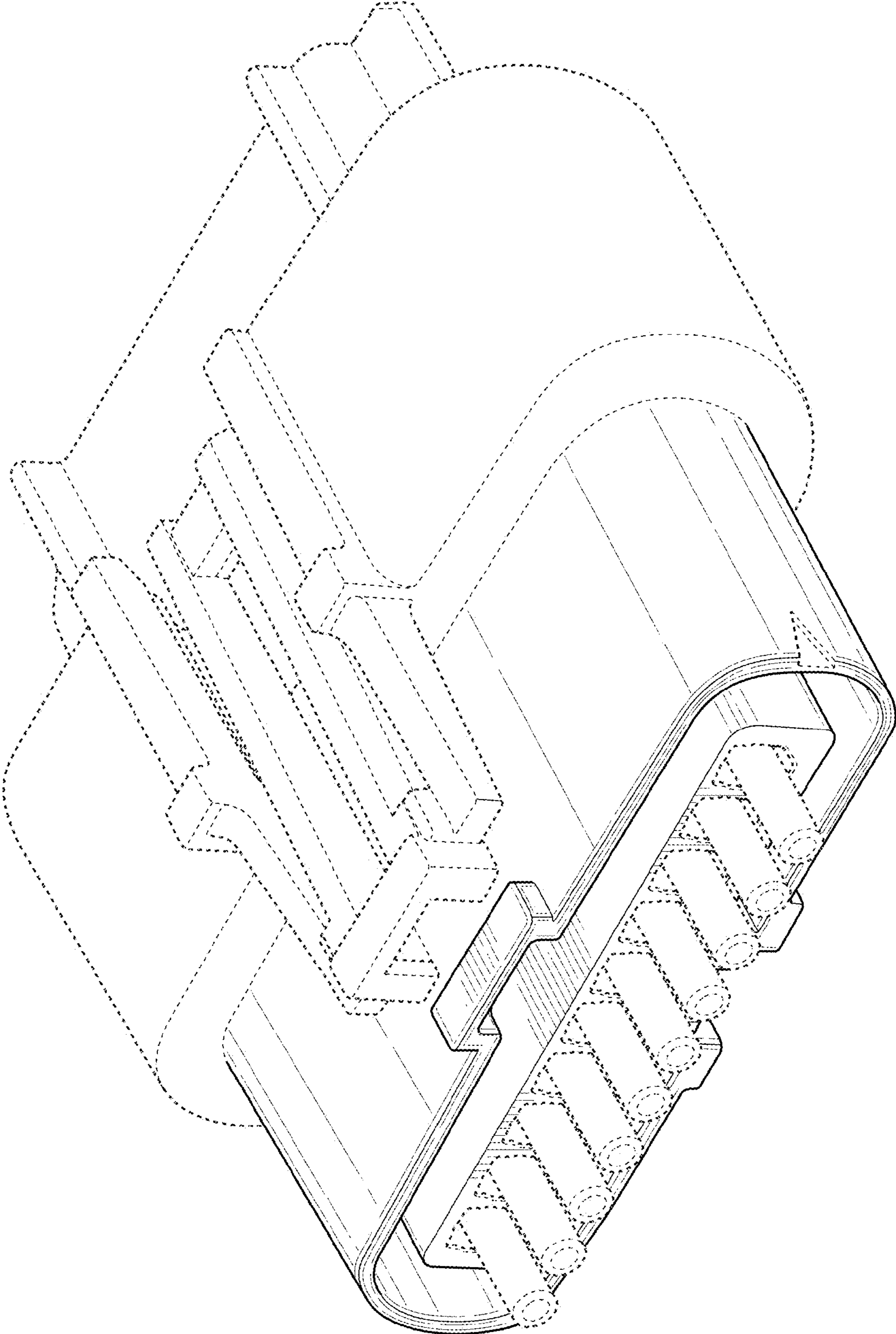


FIG. 25

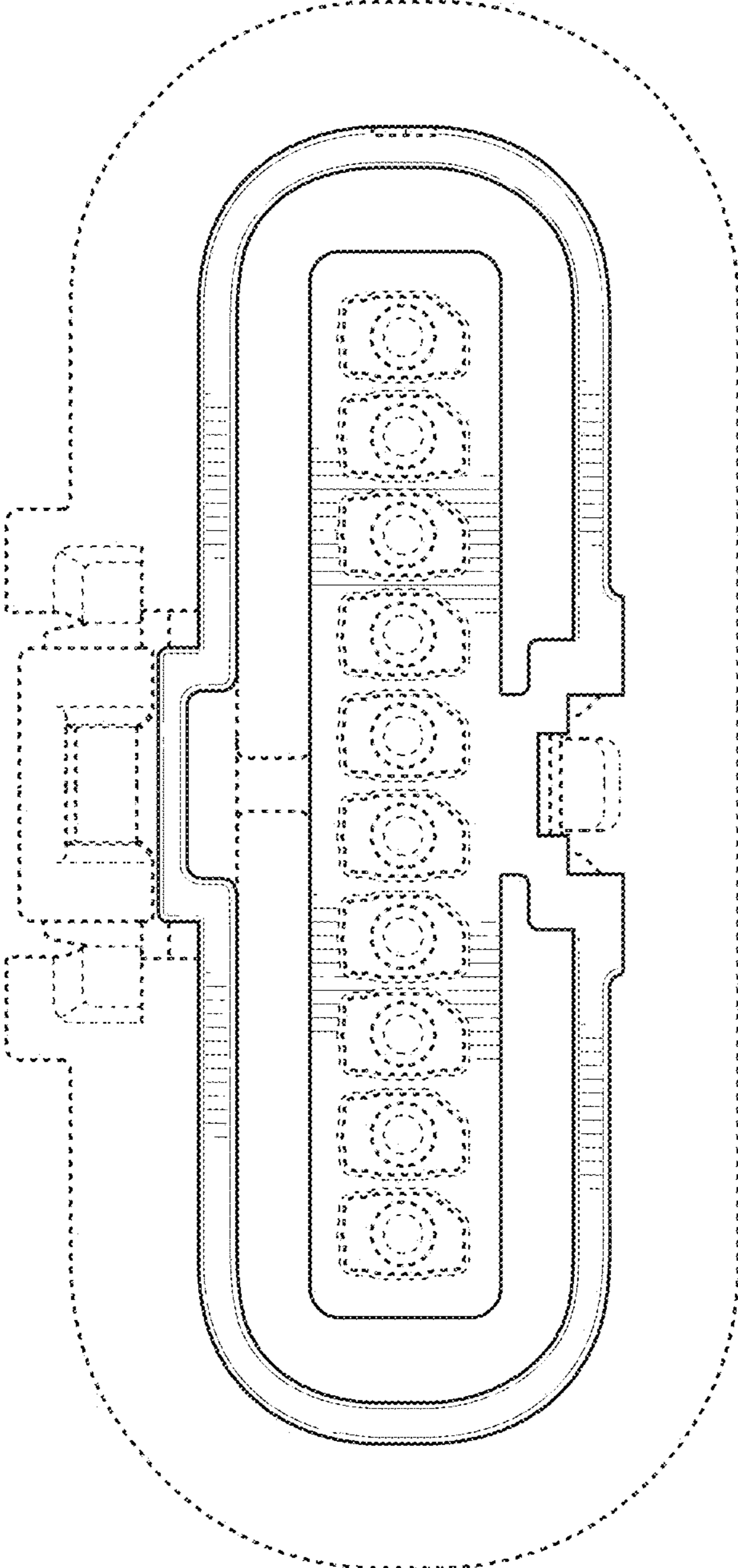


FIG. 26

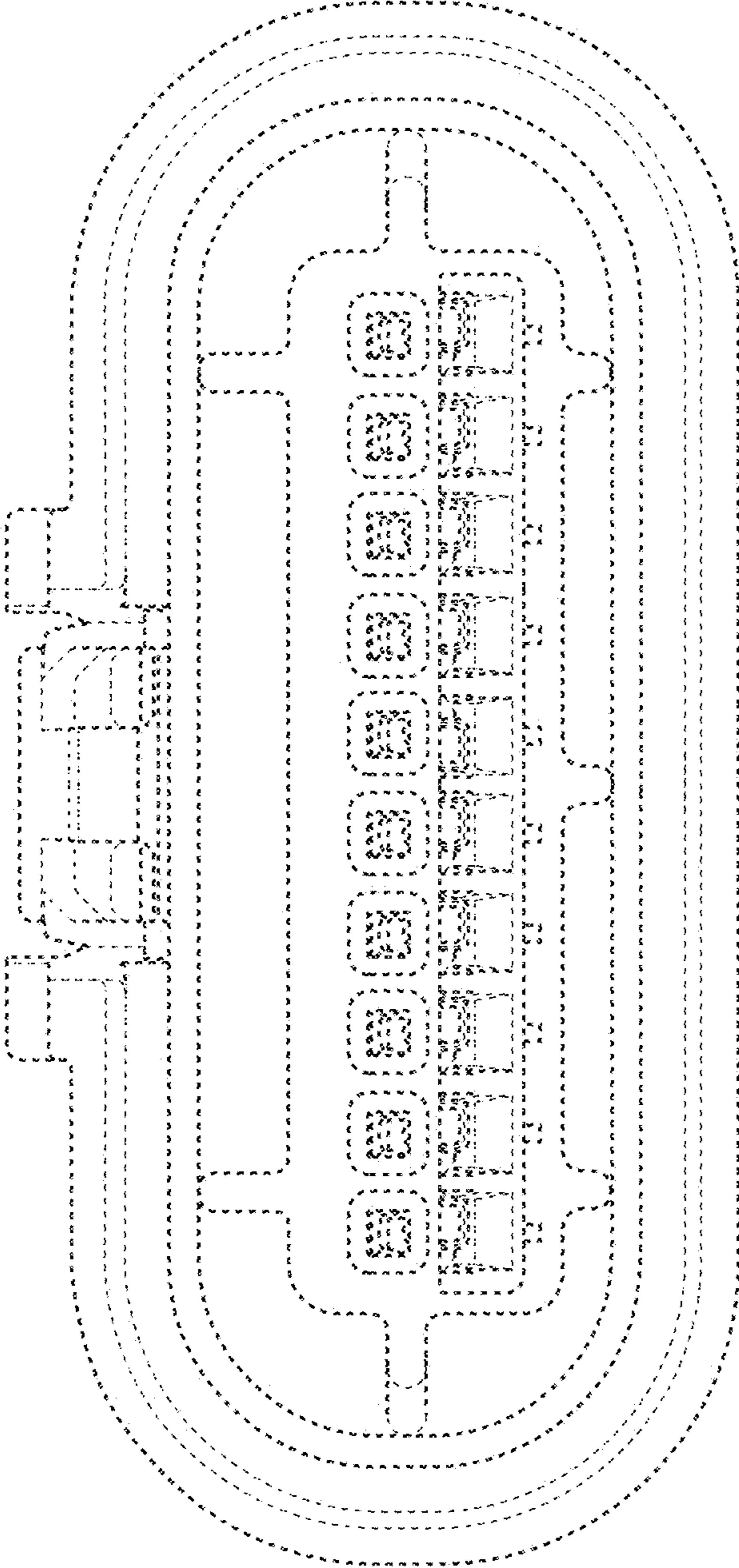


FIG. 27

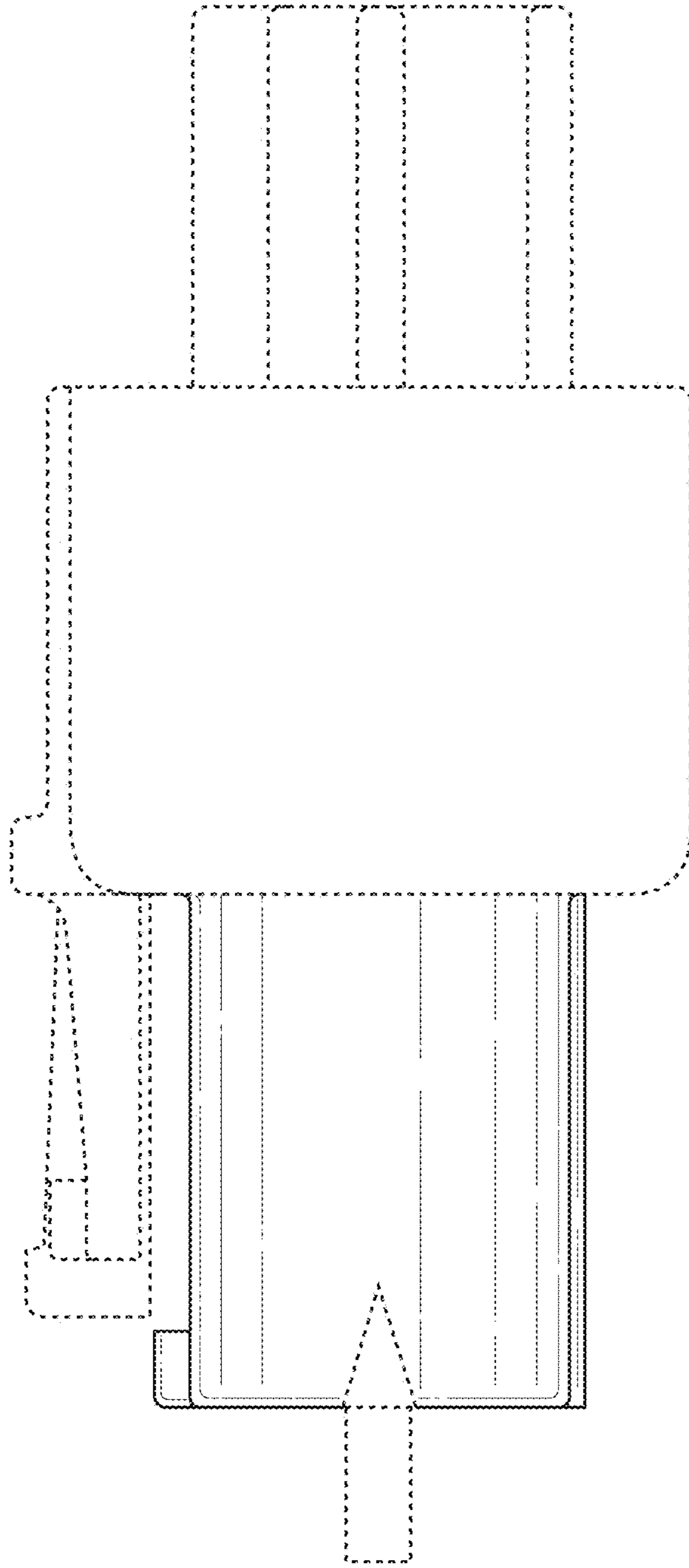


FIG. 28

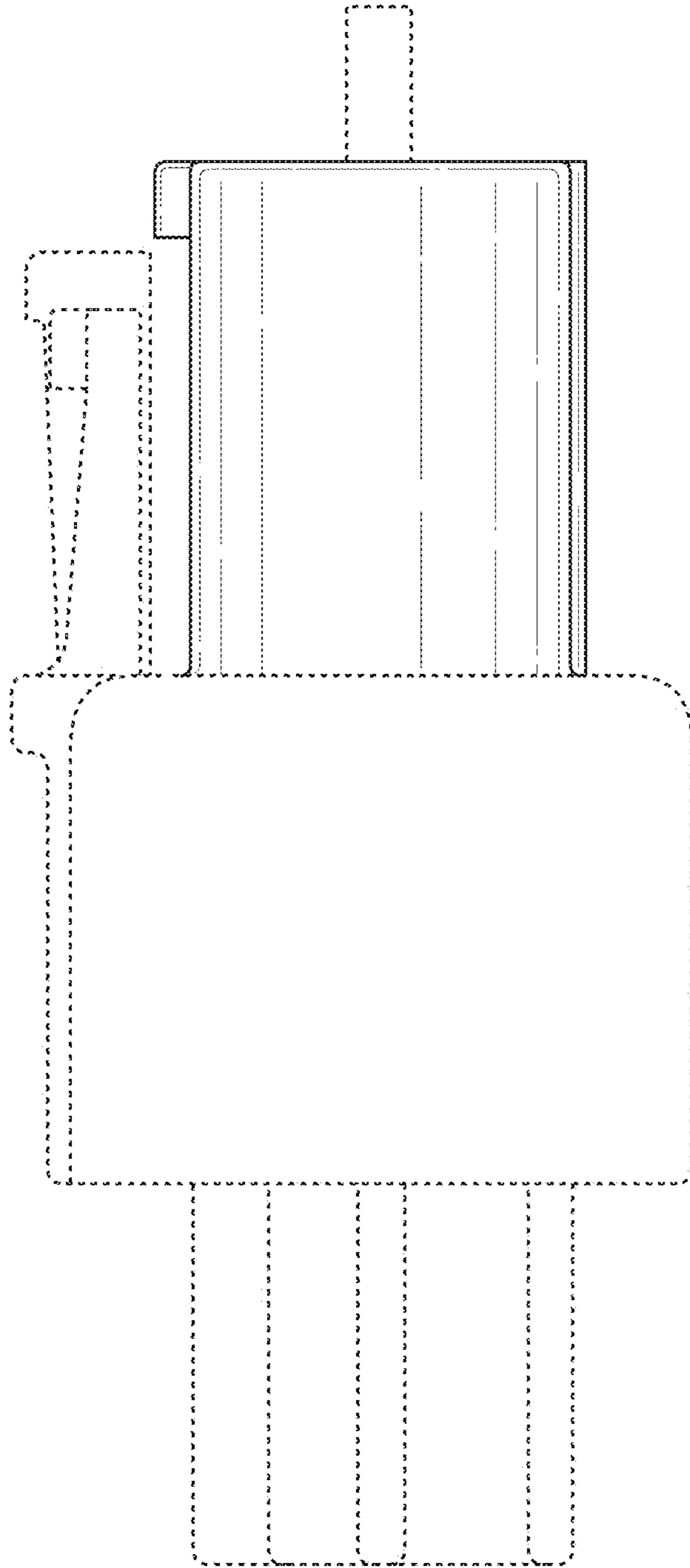


FIG. 29

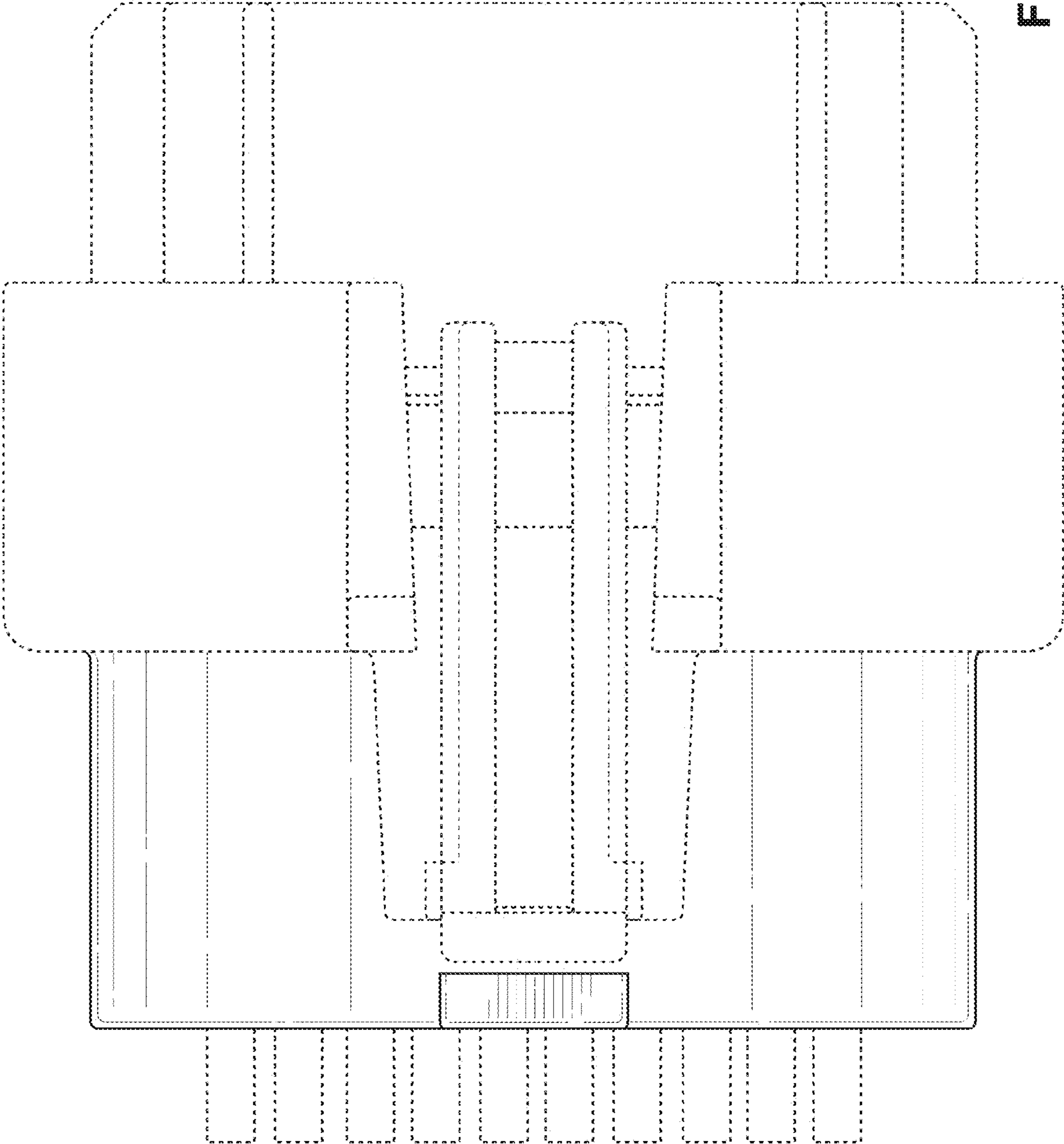


FIG. 30

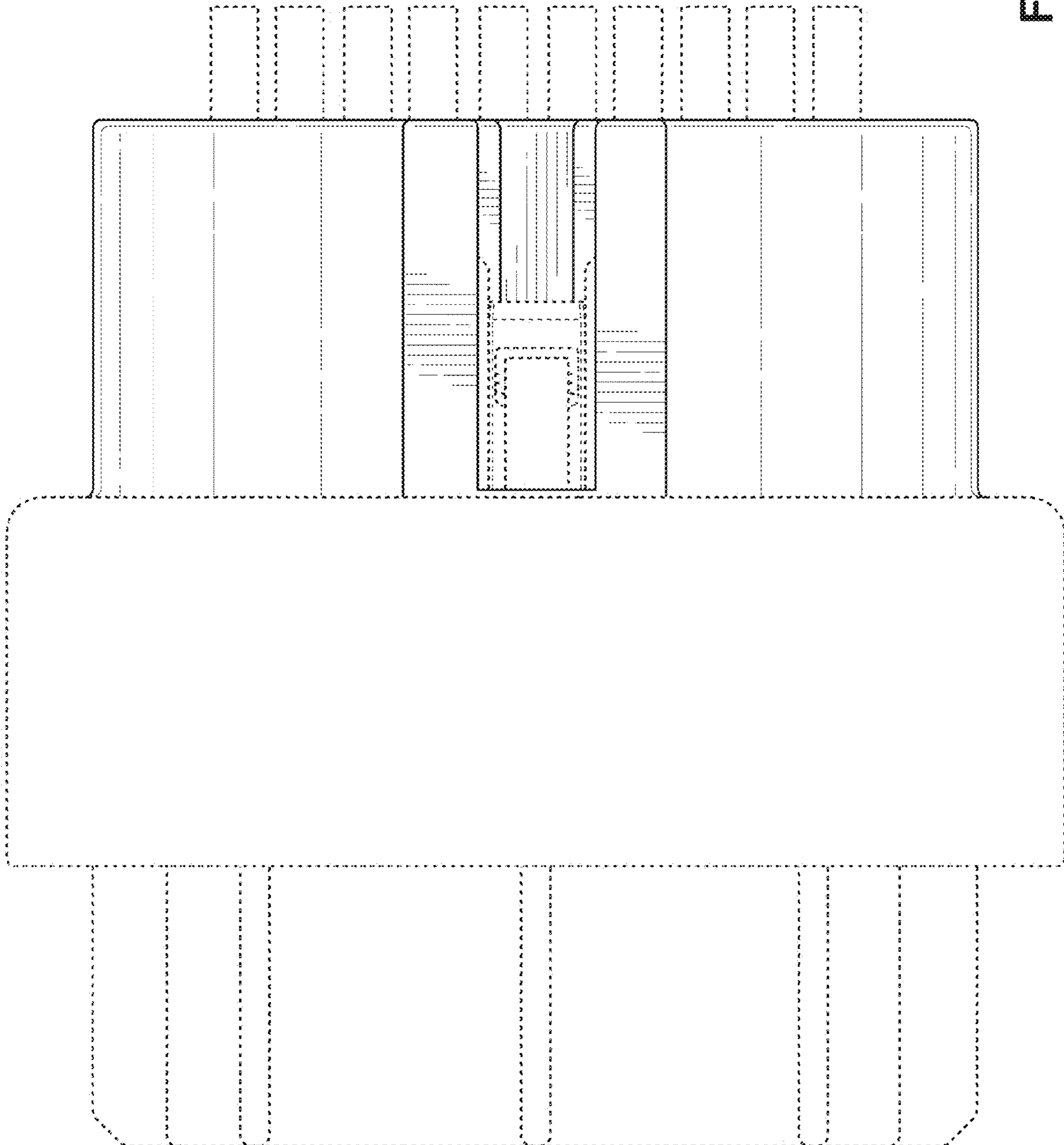


FIG. 31

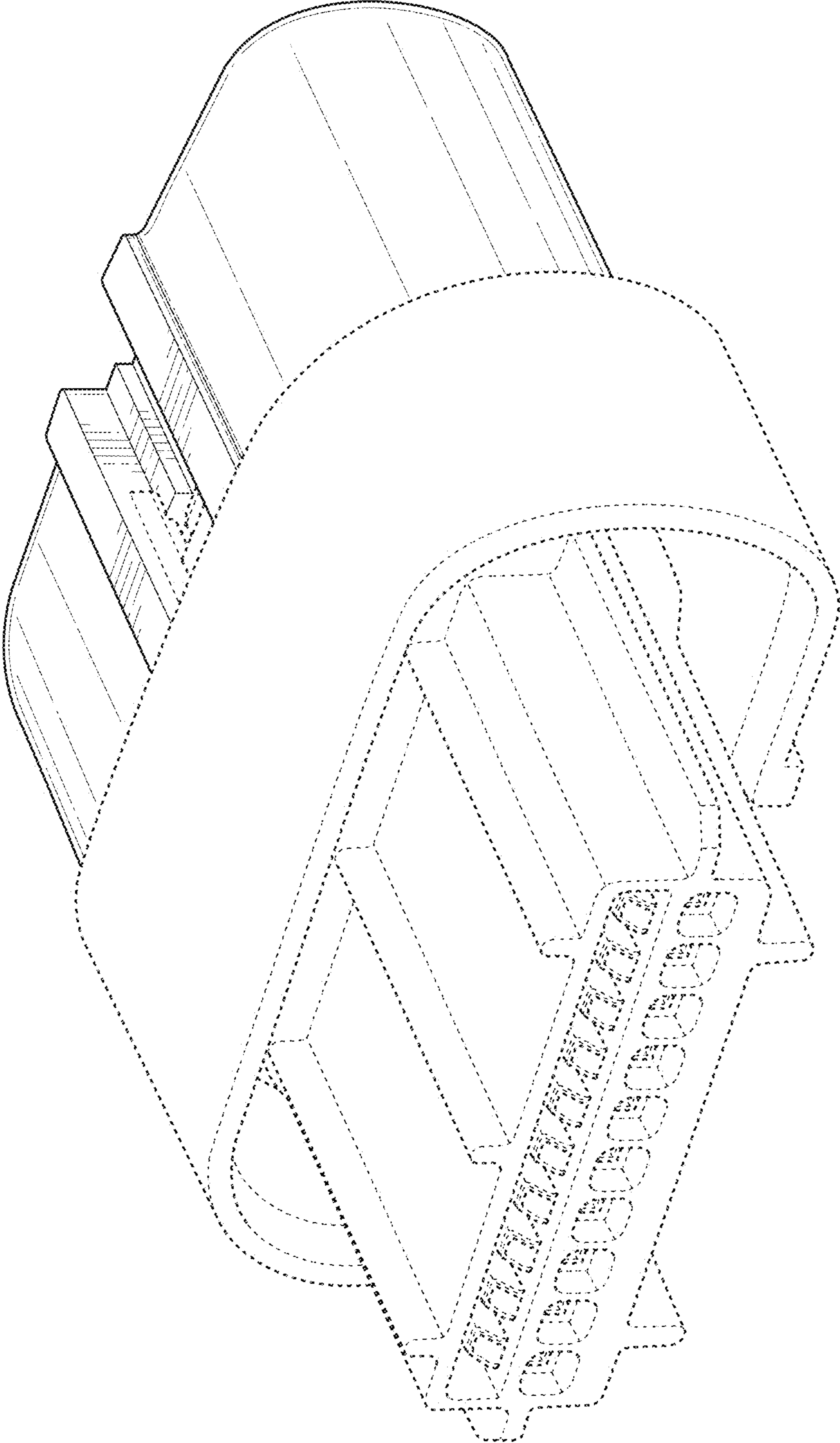


FIG. 32