



US00D930587S

(12) **United States Design Patent** (10) **Patent No.:** **US D930,587 S**
Alexander et al. (45) **Date of Patent:** **** Sep. 14, 2021**

(54) **PORTABLE GENERATOR**

(71) Applicant: **FNA Group, inc.**, Pleasant Prairie, WI (US)

(72) Inventors: **Gus Alexander**, Inverness, IL (US);
William Alexander, Elmhurst, IL (US);
Chris Alexander, Park Ridge, IL (US);
Richard J. Gilpatrick, Burlington, WI (US)

(73) Assignee: **FNA Group, Inc.**, Pleasant Prairie, WI (US)

(**) Term: **15 Years**

(21) Appl. No.: **29/730,678**

(22) Filed: **Apr. 7, 2020**

(51) **LOC (13) Cl.** **13-01**

(52) **U.S. Cl.**
USPC **D13/116**

(58) **Field of Classification Search**
USPC D13/101, 102, 103, 107, 108, 109, 110,
D13/112, 113, 114, 116, 119, 122, 184,
D13/199

CPC H01M 10/44; H01M 10/46; H01M 10/425;
F02B 77/13; F02B 2063/045; F02B
63/04; F02B 63/044; F02B 63/047; F02B
63/048; F02B 75/16; F02D 29/06
See application file for complete search history.

(56) **References Cited**

U.S. PATENT DOCUMENTS

6,039,009 A * 3/2000 Hirose F02B 63/04
123/2
6,091,160 A * 7/2000 Kouchi F02B 63/04
290/1 A

D477,569 S * 7/2003 Iwatate D13/116
D600,205 S * 9/2009 Imai D13/116
D727,847 S * 4/2015 Jaskowiak D13/116
D834,517 S * 11/2018 Fritz D13/116
2009/0322100 A1* 12/2009 Hiranuma F02B 63/04
290/1 R

* cited by examiner

Primary Examiner — Derrick E Holland

(74) *Attorney, Agent, or Firm* — Steven E. Jedlinski;
Jeffrey T. Placker; Holland & Knight LLP

(57) **CLAIM**

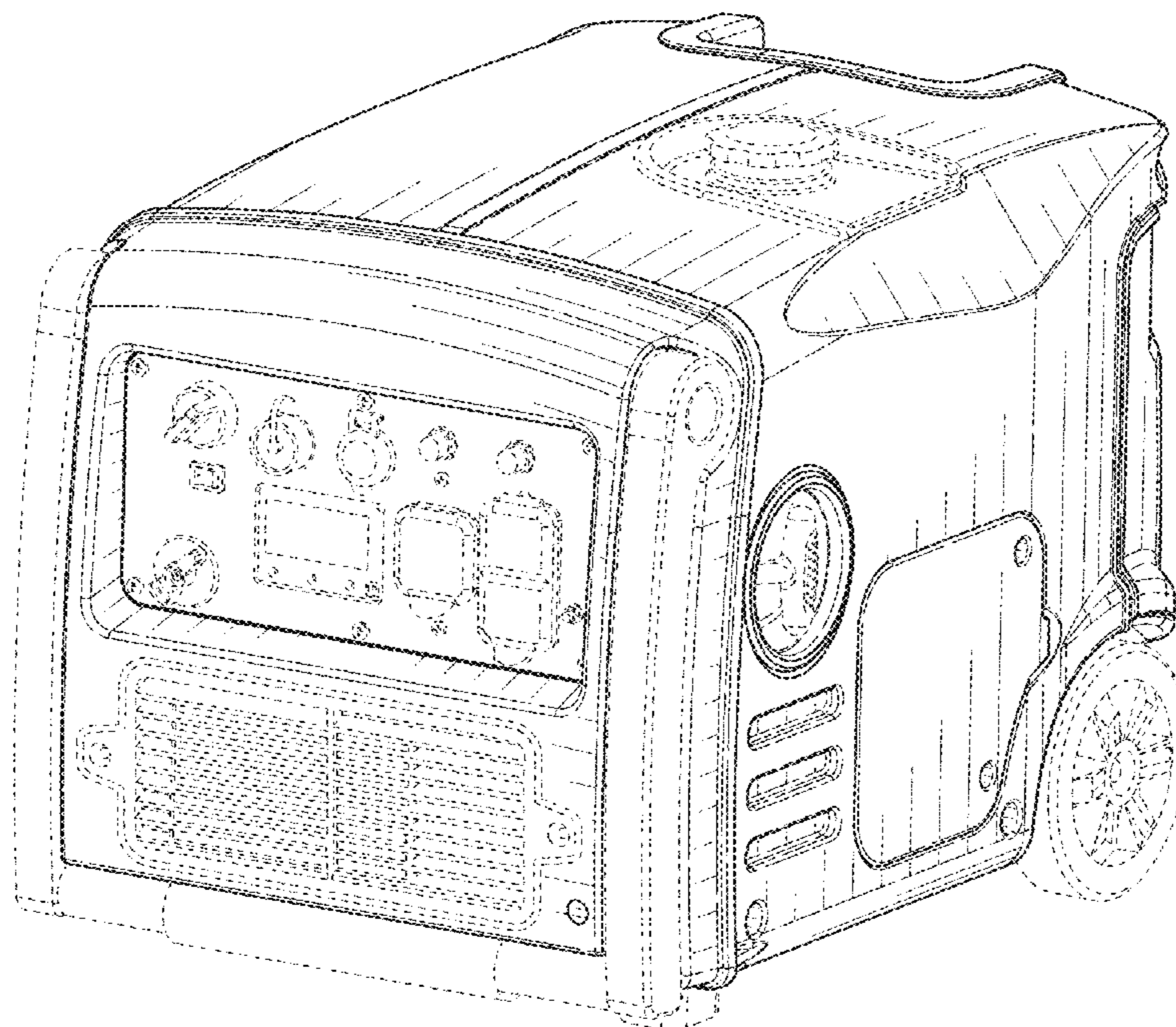
The ornamental design for a portable generator, as shown and described.

DESCRIPTION

FIG. 1 is a bottom-front-left perspective view of a portable generator;
FIG. 2 is a top-front-right perspective view thereof;
FIG. 3 is a top-left-rear perspective view thereof;
FIG. 4 is a bottom-rear-right perspective view thereof;
FIG. 5 is a right side elevation view thereof;
FIG. 6 is a left side elevation view thereof;
FIG. 7 is a front elevation view thereof;
FIG. 8 is a rear elevation view thereof;
FIG. 9 is top plan view thereof; and,
FIG. 10 is a bottom plan view thereof.

The broken lines indicate features of the portable generator that form no part of the claimed design.

1 Claim, 10 Drawing Sheets



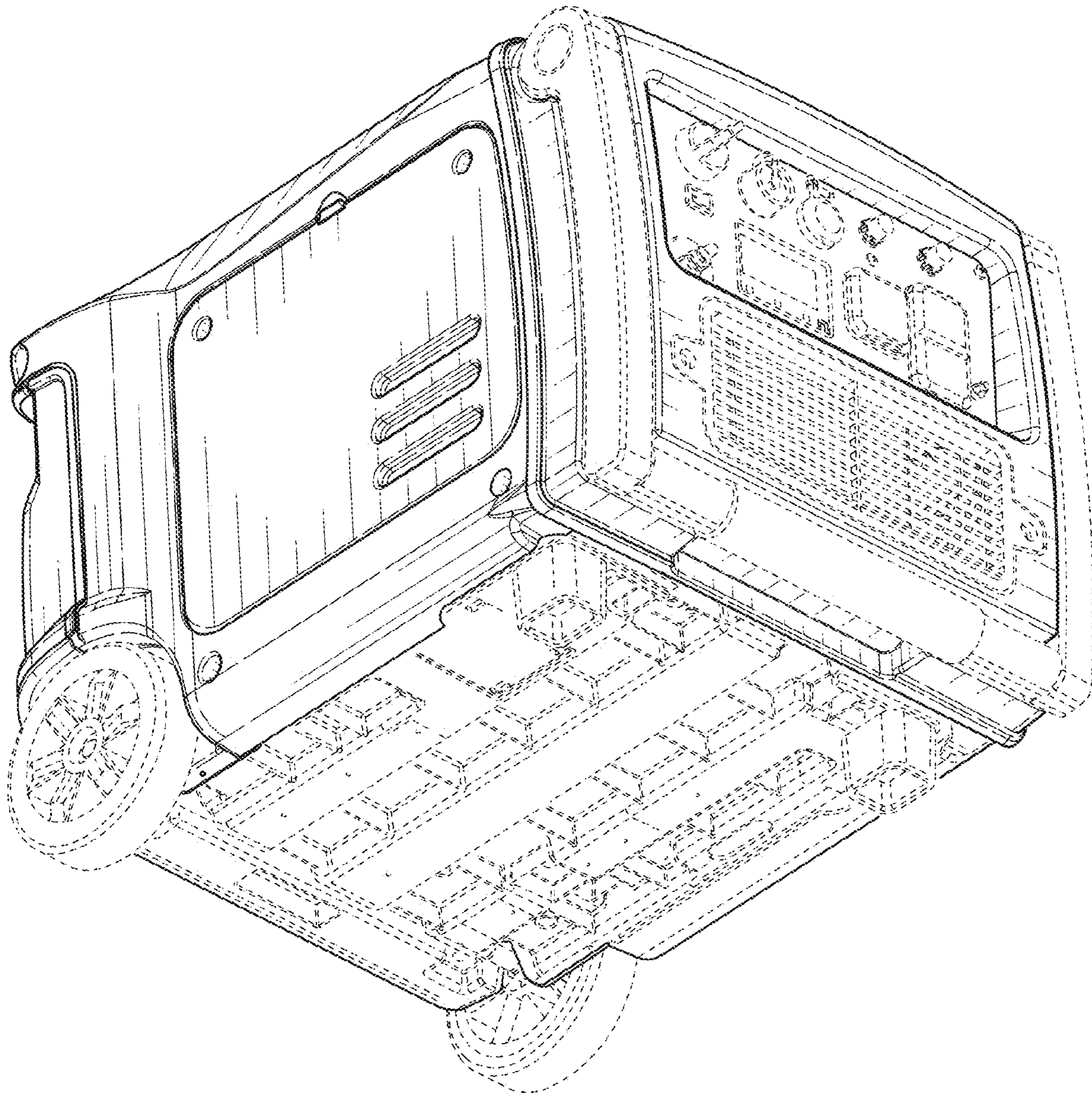


FIG. 1

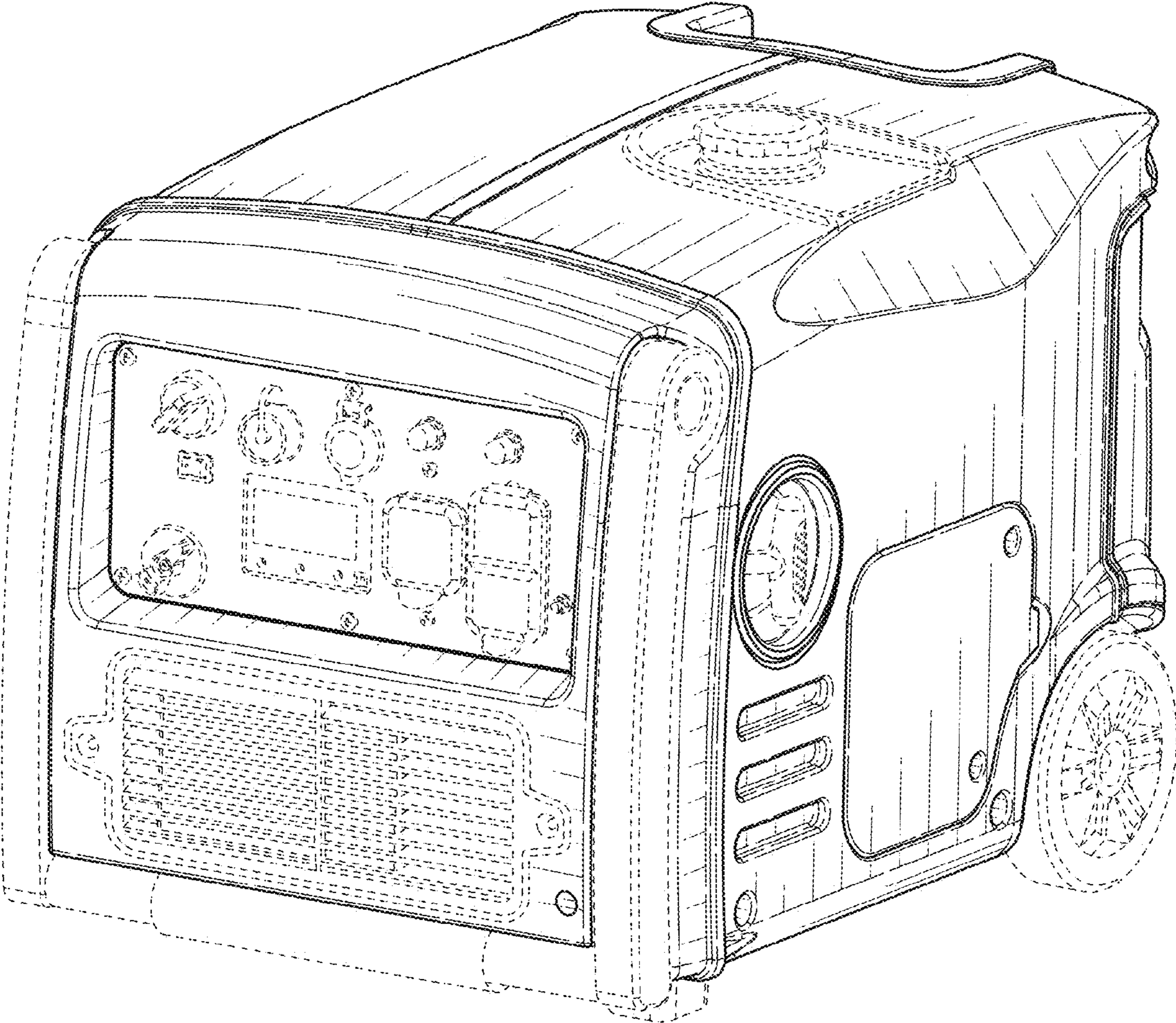


FIG. 2

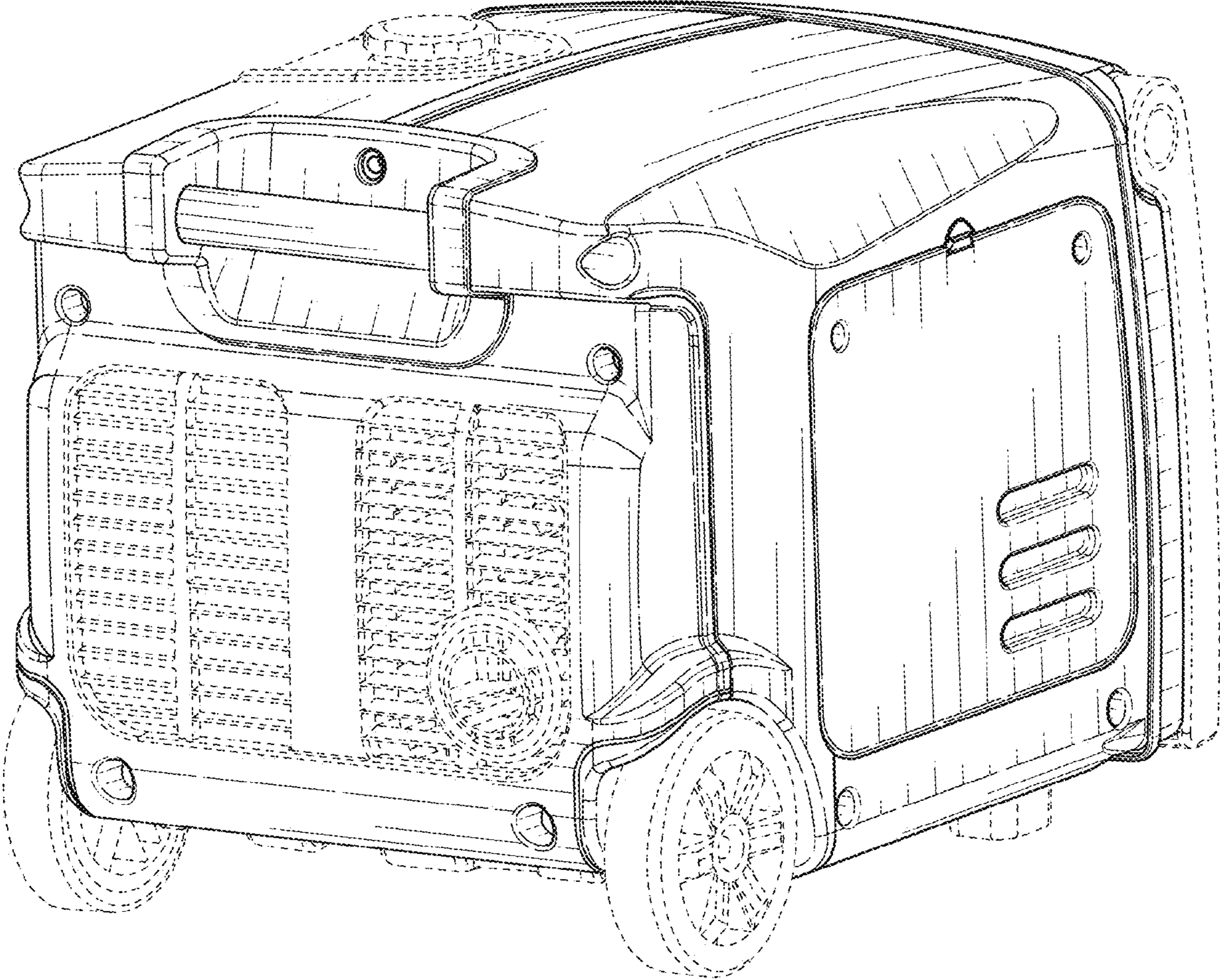


FIG. 3

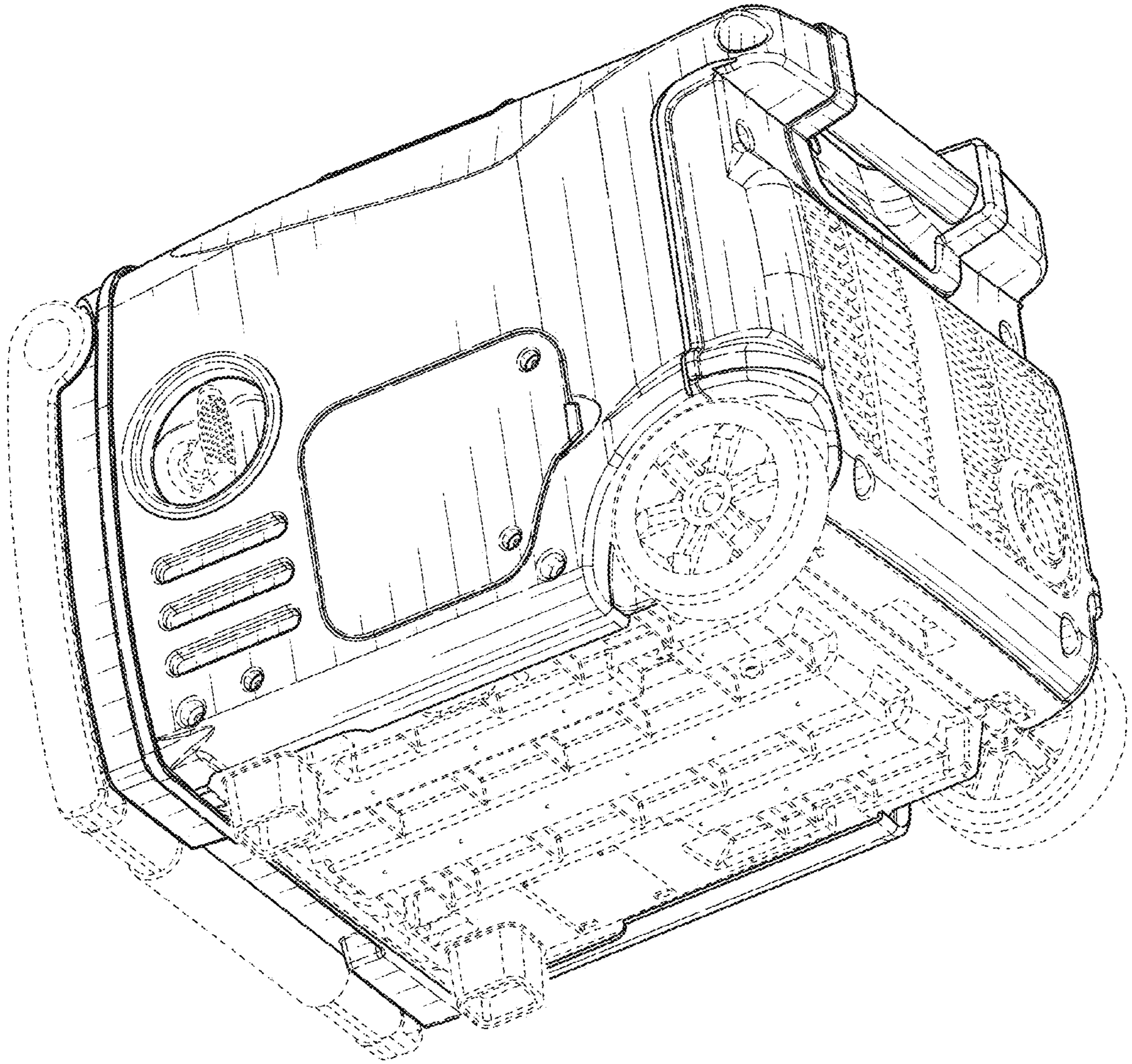


FIG. 4

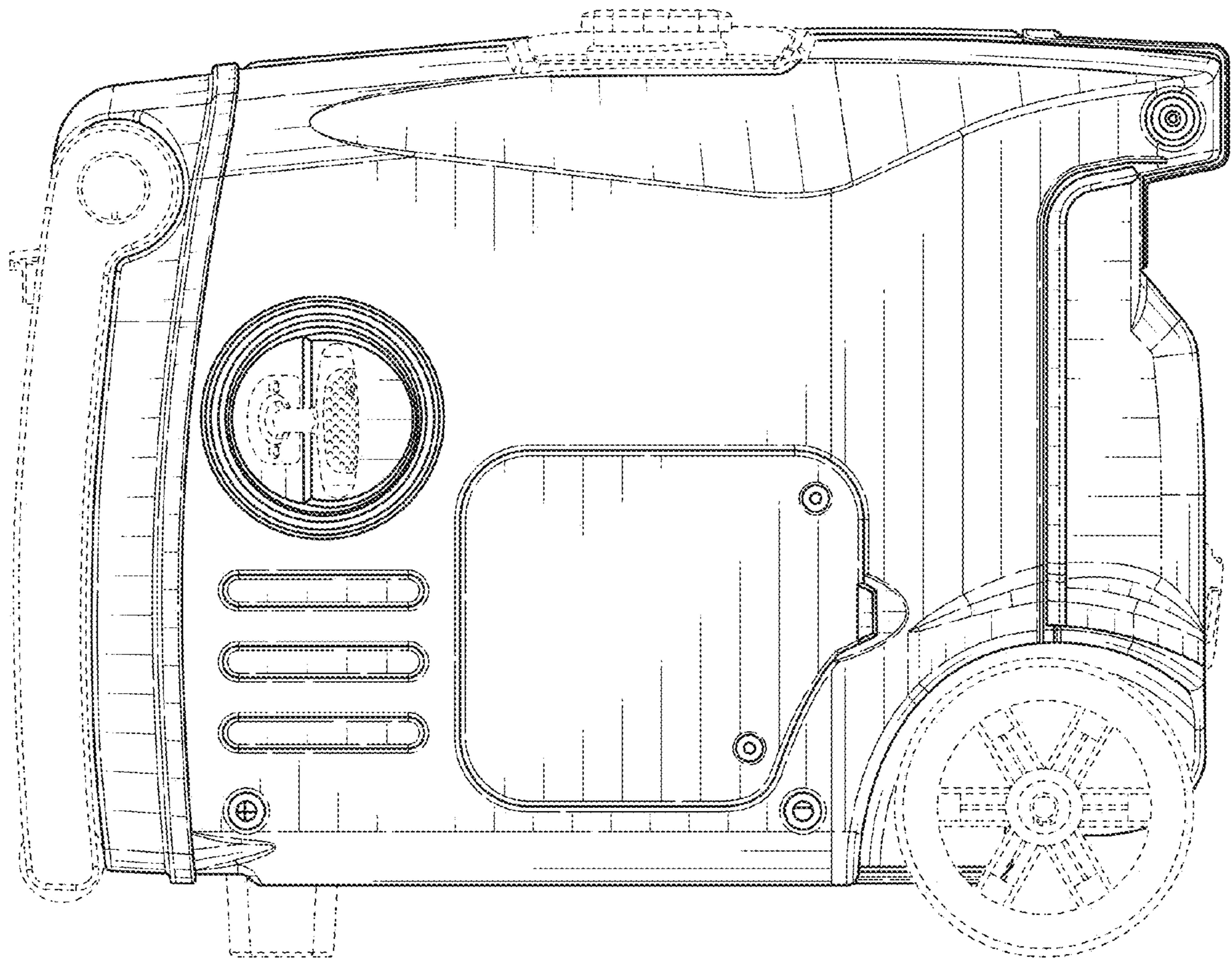


FIG. 5

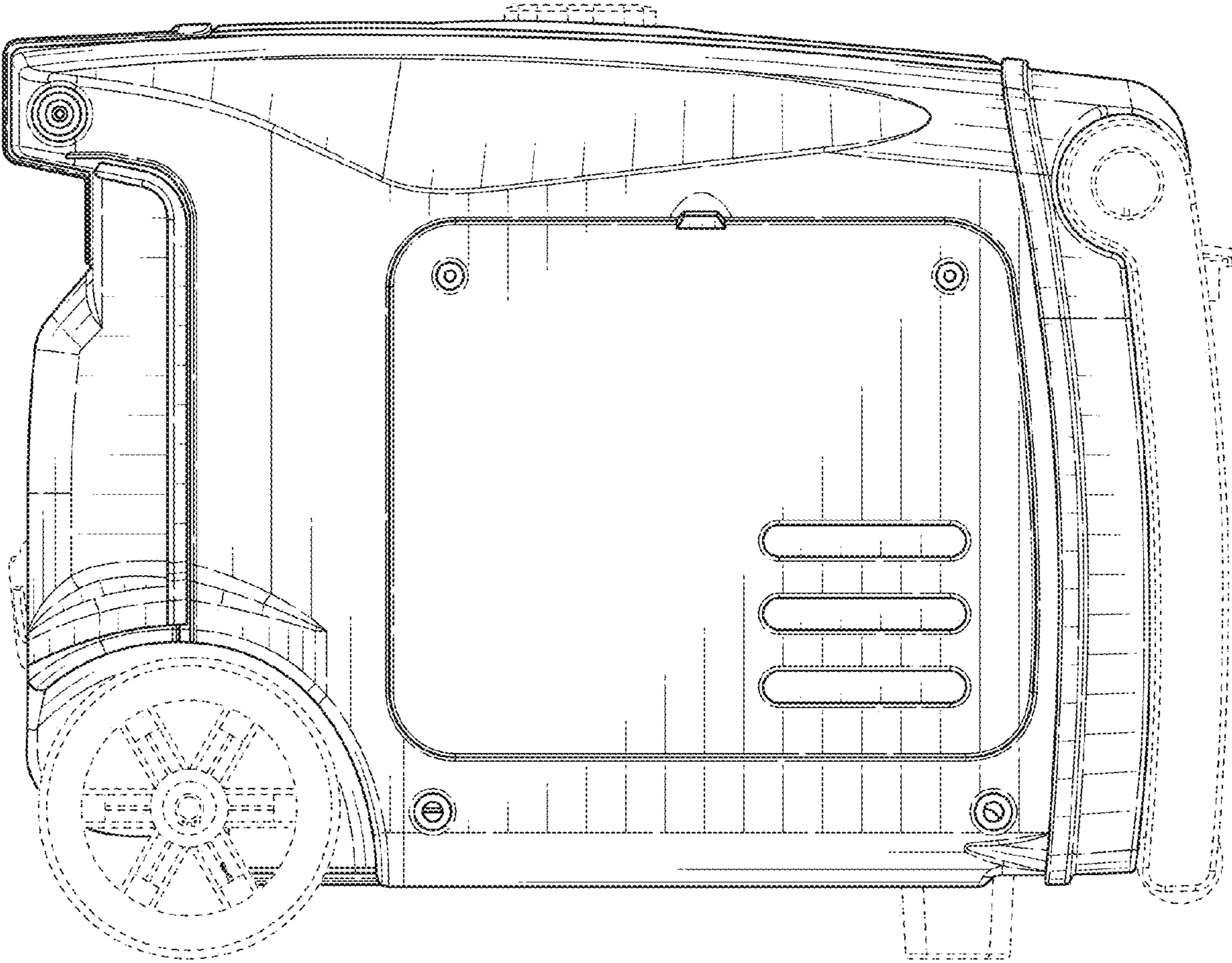


FIG. 6

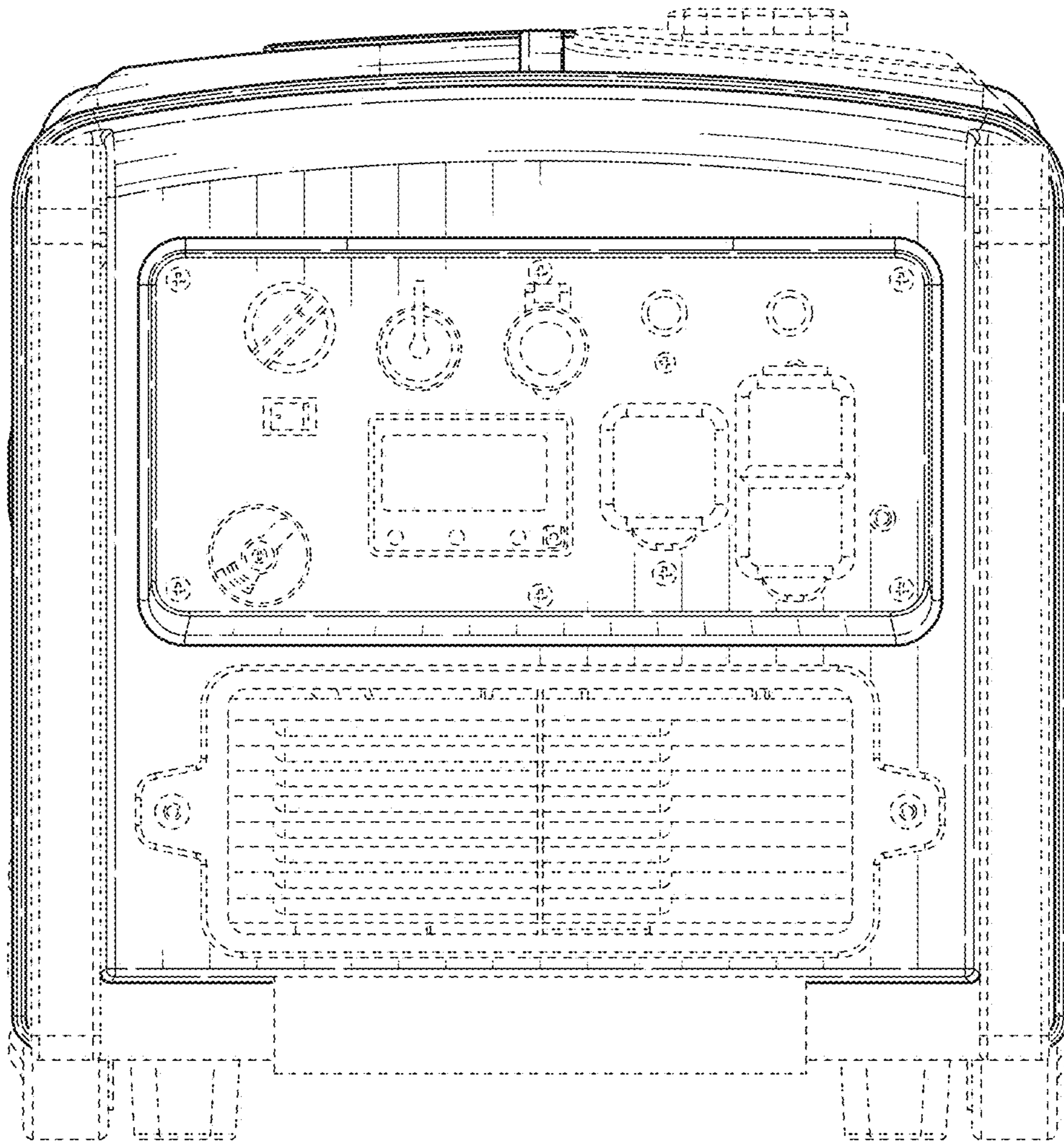


FIG. 7

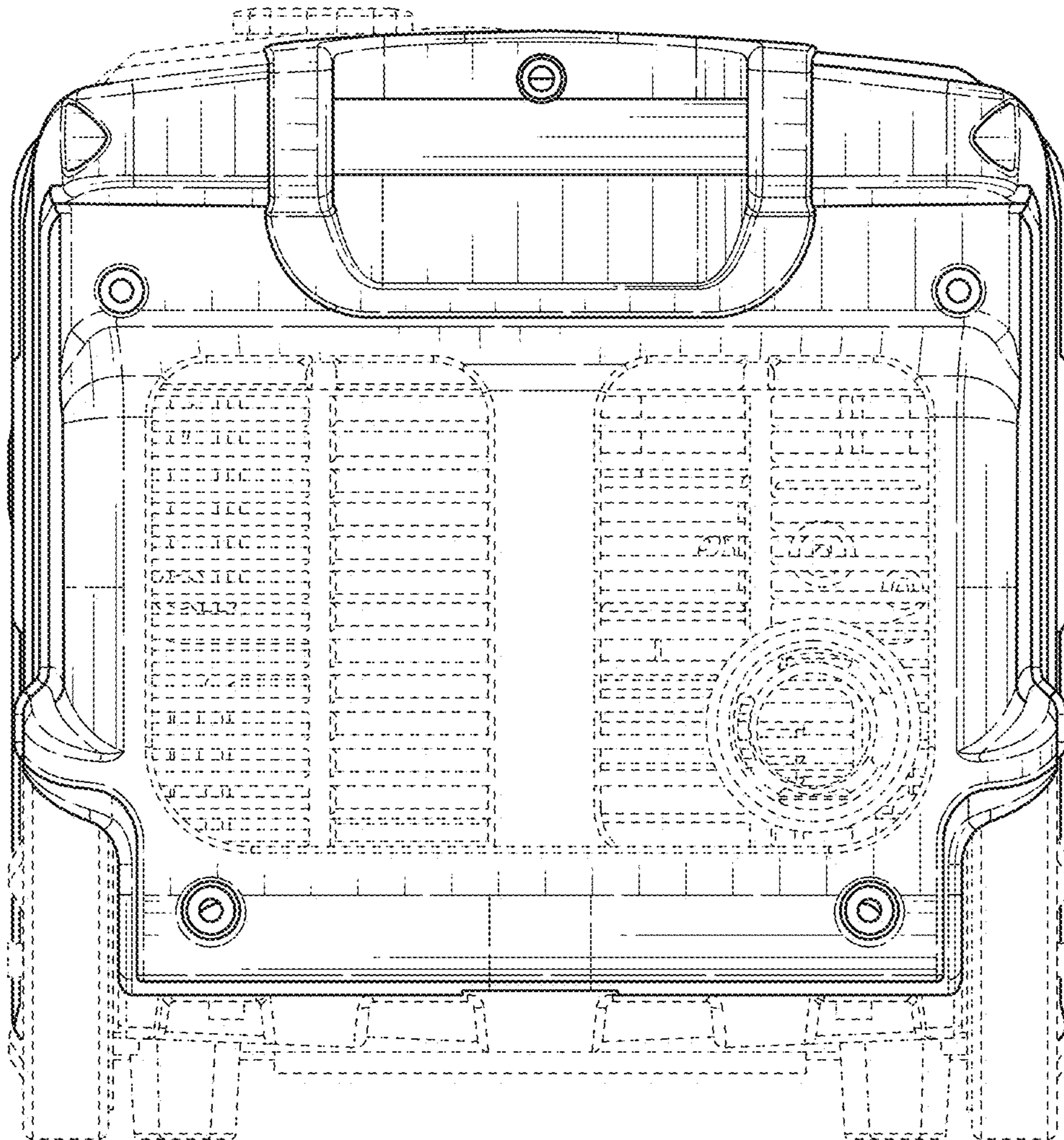


FIG. 8

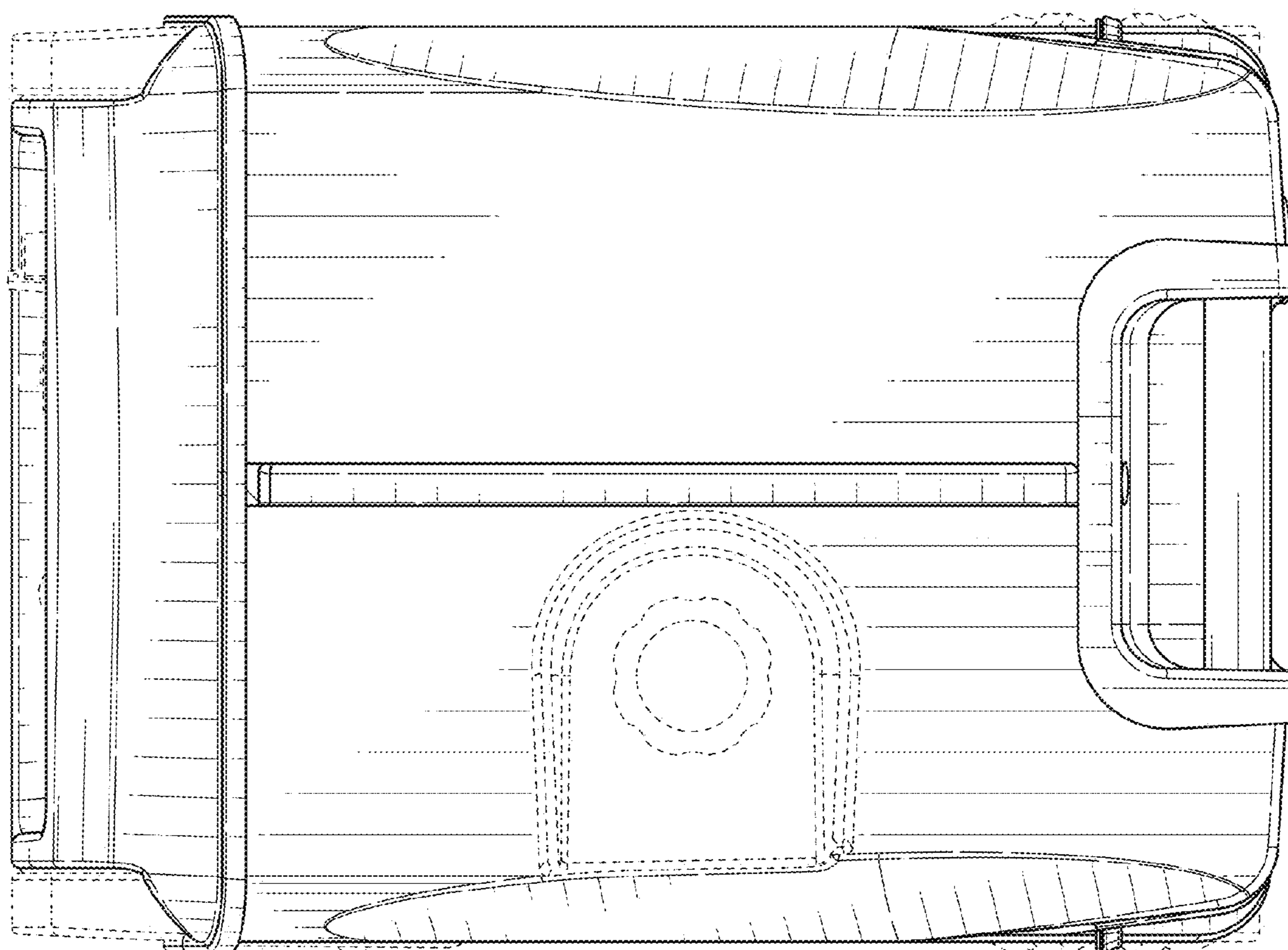


FIG. 9

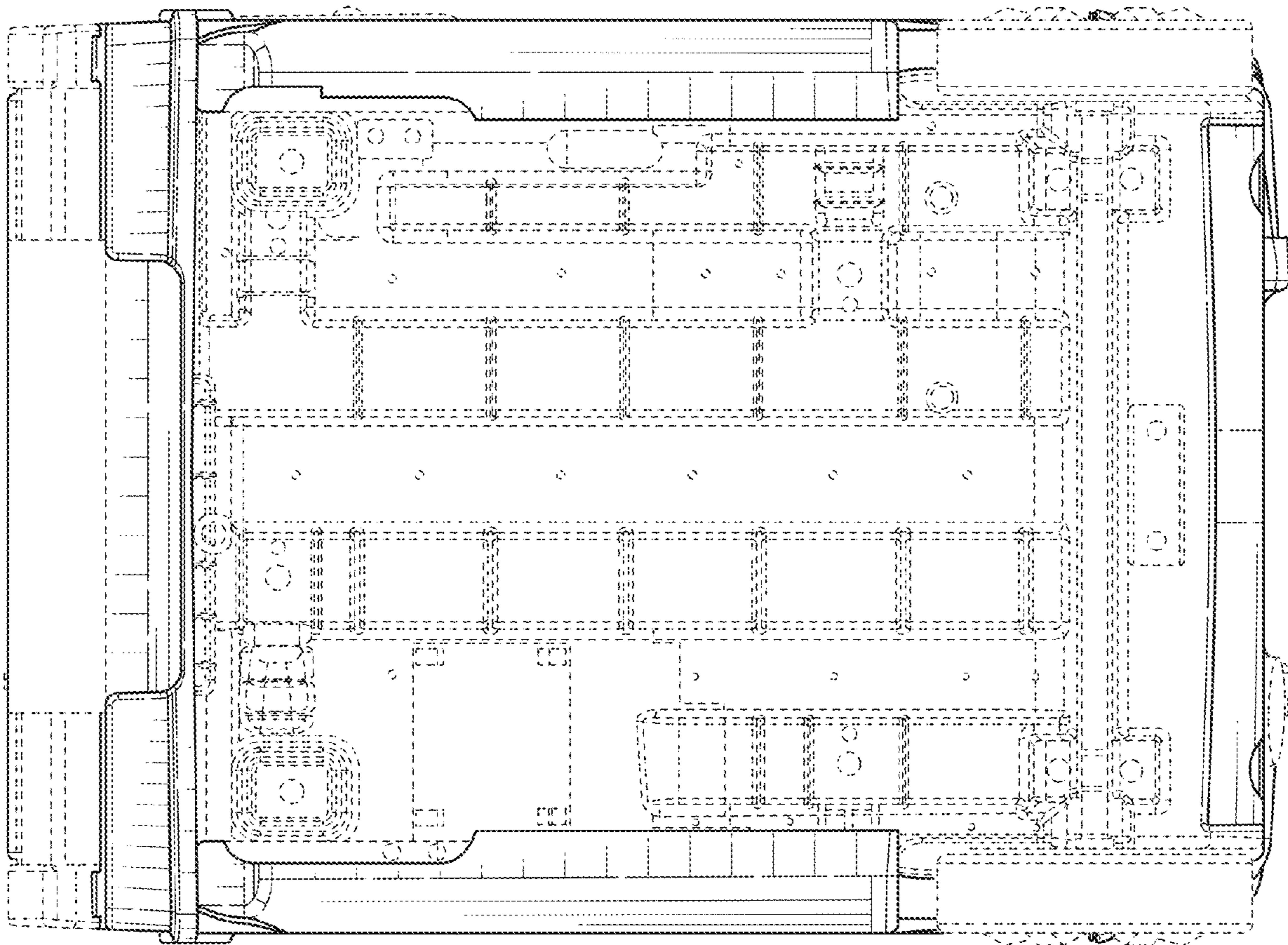


FIG. 10