



US00D930586S

(12) **United States Design Patent**
Chang

(10) **Patent No.:** **US D930,586 S**

(45) **Date of Patent:** **** *Sep. 14, 2021**

(54) **MOTOR ASSEMBLY OF AN ELECTRIC SCOOTER**

(71) Applicant: **FUKUTA ELECTRIC & MACHINERY CO., LTD.**, Taichung (TW)

(72) Inventor: **Chin Feng Chang**, Taichung (TW)

(73) Assignee: **FUKUTA ELECTRIC & MACHINERY CO., LTD.**, Taichung (TW)

(*) Notice: This patent is subject to a terminal disclaimer.

(**) Term: **15 Years**

(21) Appl. No.: **29/767,759**

(22) Filed: **Jan. 25, 2021**

Related U.S. Application Data

(63) Continuation-in-part of application No. 29/672,616, filed on Dec. 6, 2018, now abandoned.

(51) **LOC (13) Cl.** **13-01**

(52) **U.S. Cl.**
USPC **D13/112**

(58) **Field of Classification Search**
USPC D15/1-5, 148; D13/112-114, 122, 184
CPC B60L 9/00; B60L 9/02; B60L 9/16; B60L 9/32; B60L 9/005; B60L 1/00; B60L 58/12; H02K 1/82; H02K 26/00; H02K 5/22; H02K 5/18; H02K 11/00; H02K 15/00; H02K 15/14; H02K 15/16; H02K 19/06; H02K 9/00; H02K 3/50; H02K 1/16; H02K 5/161

See application file for complete search history.

(56) **References Cited**

U.S. PATENT DOCUMENTS

D138,774 S * 9/1944 Hodges D13/113
D207,401 S * 4/1967 Andrews D13/114

3,353,042 A * 11/1967 Baumann H02K 9/14 310/57
D217,674 S * 5/1970 Jaeschke D13/122
D245,499 S * 8/1977 Andreas D13/112

(Continued)

OTHER PUBLICATIONS

Dayton, 1/4 hp 6 RPM 115V Dayton AC Parallel Shaft (Rotisserie) Gear Motor# 1LPP7, (site visited May 30, 2020), Electric Motor Warehouse, URL: <https://www.electricmotorwarehouse.com/1-4-hp-6-rpm-115v-dayton-ac-parallel-shaft-rotisserie-gear-motor-1lpp7/> (Year: 2020).*

(Continued)

Primary Examiner — Brandon M Rosati

Assistant Examiner — Mark T. Philipps

(74) *Attorney, Agent, or Firm* — Sinorica, LLC

(57) **CLAIM**

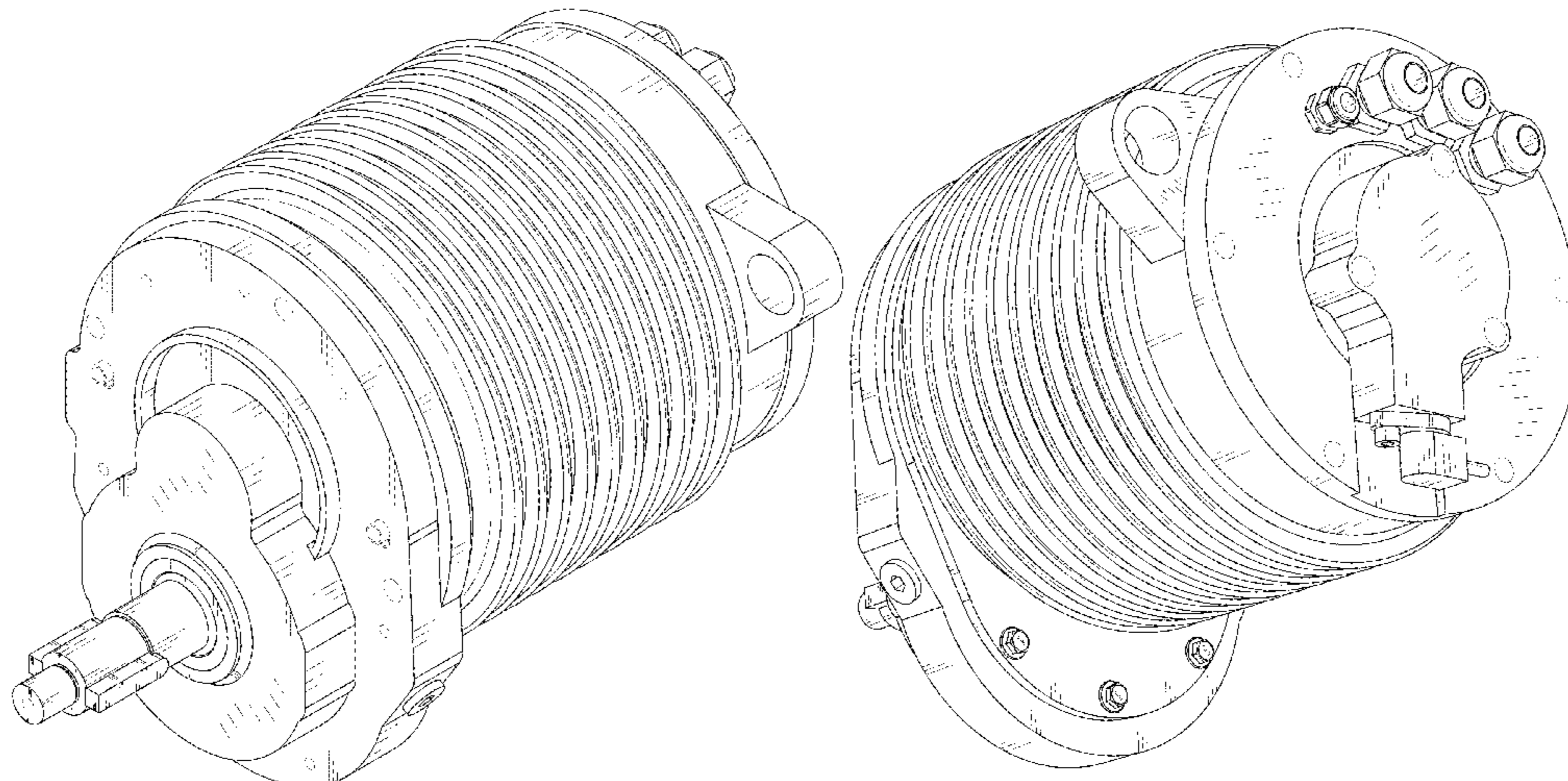
The ornamental design for a motor assembly of an electric scooter, as shown.

DESCRIPTION

FIG. 1 is a front-right-top perspective view of a motor assembly of an electric scooter in accordance with the present invention;
FIG. 2 is a front-left-bottom perspective view thereof;
FIG. 3 is a rear-right-bottom perspective view thereof;
FIG. 4 is a rear-left-top view perspective view thereof;
FIG. 5 is a front view thereof;
FIG. 6 is a rear view thereof;
FIG. 7 is a left view thereof;
FIG. 8 is a right view thereof;
FIG. 9 is a top view thereof; and,
FIG. 10 is a bottom view thereof.

The broken lines in the drawings are for the purpose of illustrating portions of the motor assembly of an electric scooter that form no part of the claimed design.

1 Claim, 10 Drawing Sheets



(56)

References Cited

U.S. PATENT DOCUMENTS

D281,239 S * 11/1985 Stevens D13/113
 D314,550 S * 2/1991 Sieber D13/112
 D398,285 S * 9/1998 Becker D13/114
 D429,216 S * 8/2000 Hemphill D12/114
 D431,572 S * 10/2000 Antony D15/5
 D447,148 S * 8/2001 Antony D15/7
 6,720,689 B2 * 4/2004 Agnes H02K 1/185
 310/43
 D527,739 S * 9/2006 De Luca D15/5
 D573,091 S * 7/2008 Shih D13/112
 D576,941 S * 9/2008 Evon D13/112
 D578,063 S * 10/2008 Lannoch D13/112
 D593,943 S * 6/2009 Lannoch D13/112
 D673,667 S * 1/2013 McElveen D23/370
 D682,784 S * 5/2013 Tomczak D13/114
 D766,828 S * 9/2016 Yamada D13/112
 D776,055 S * 1/2017 Wallace D13/122
 D801,925 S * 11/2017 Andersson D13/112
 D823,251 S * 7/2018 Battistella D13/112
 D823,802 S * 7/2018 Battistella D13/112

D829,171 S * 9/2018 Niznicenko D13/112
 D833,972 S * 11/2018 Pflueger D13/112
 D836,551 S * 12/2018 Kaneko D13/112
 D857,628 S * 8/2019 Chen D13/112
 10,518,622 B1 * 12/2019 Chang B60K 7/0007
 D877,200 S * 3/2020 Melde D15/5
 D883,928 S * 5/2020 Lust D13/112
 2003/0230942 A1 * 12/2003 Okubo H02K 11/01
 310/89

OTHER PUBLICATIONS

Fukuta Electric and Machine Co., Ltd., "Electric Vehicle, boat Motor", (site visited May 30, 2020), Exporters India, URL:<<https://www.exportersindia.com/fukuta-elec-mach-co/electric-vehicle-motor-boat-motor-taiwan-858914.htm>> (Year: 2020).*

Uxcell, uxcell 12V DC 11RPM(Test Value) Gear Motor High Torque Electric Micro Speed Reduction Geared Motor Eccentric Output Shaft, (site visited May 30, 2020), Amazon.com, URL:<<https://www.amazon.com/uxcell-Torque-Electric-Reduction-Eccentric/dp/B01KTYOYA8>> (Year: 2020).*

* cited by examiner

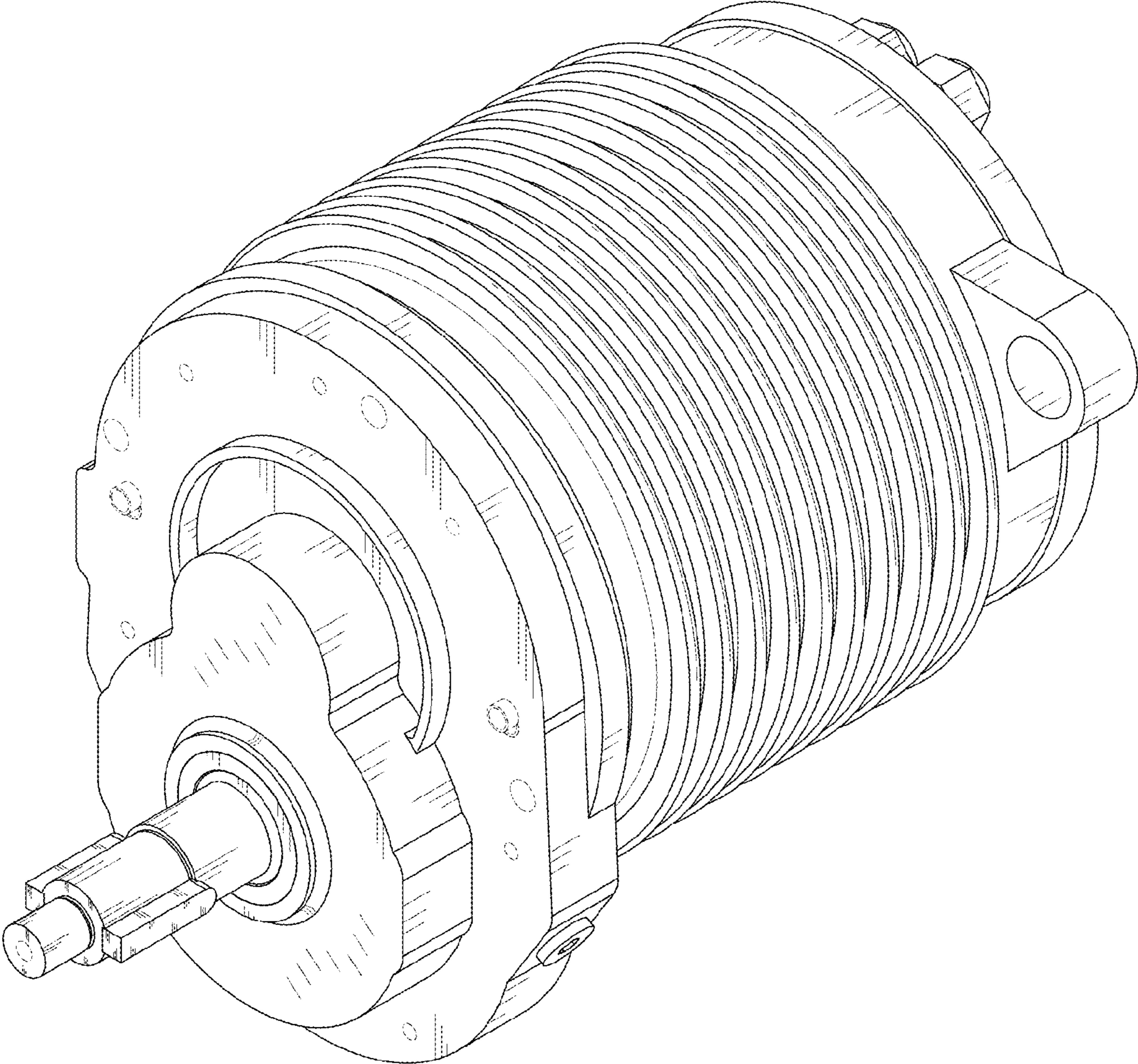


FIG. 1

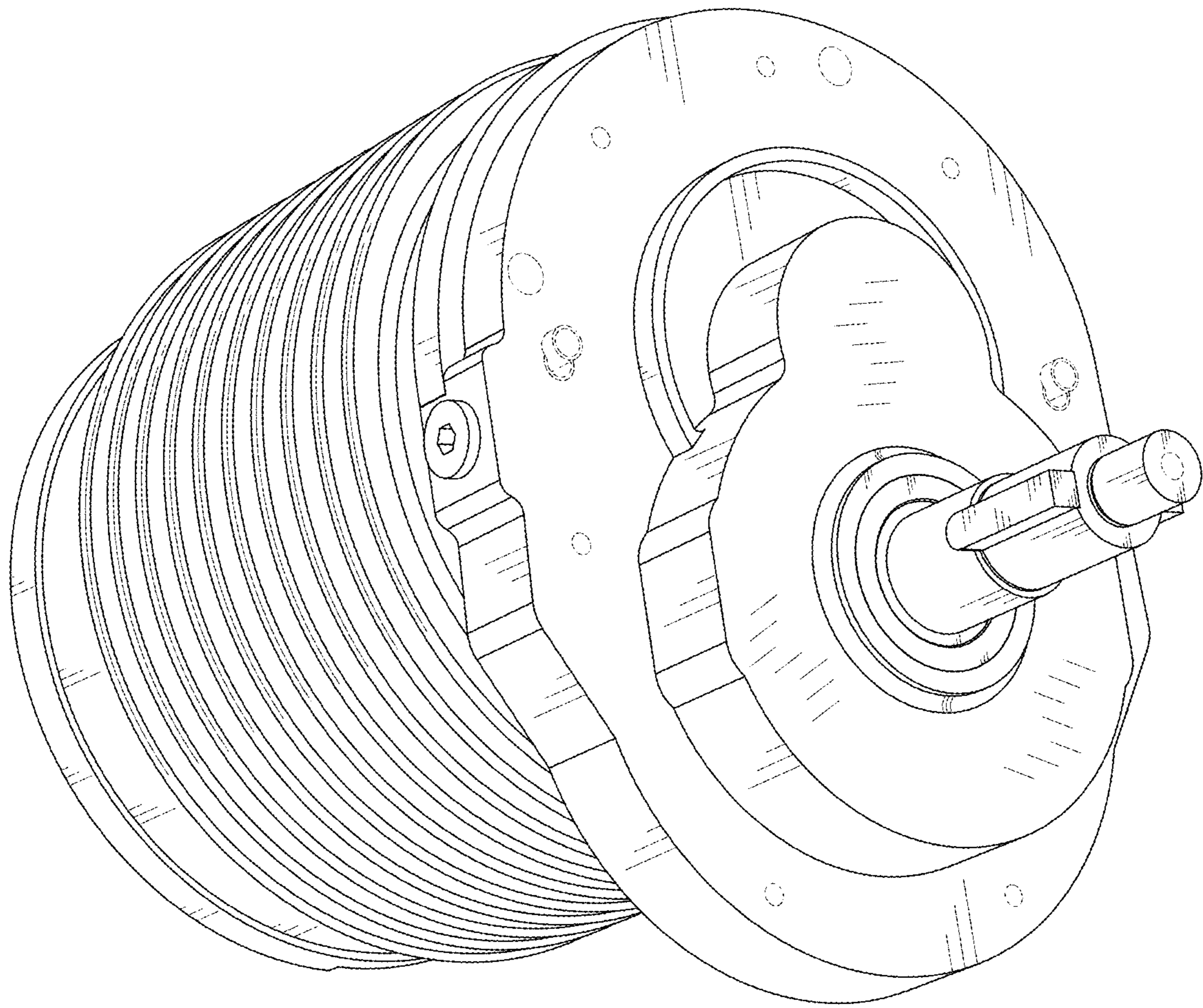


FIG. 2

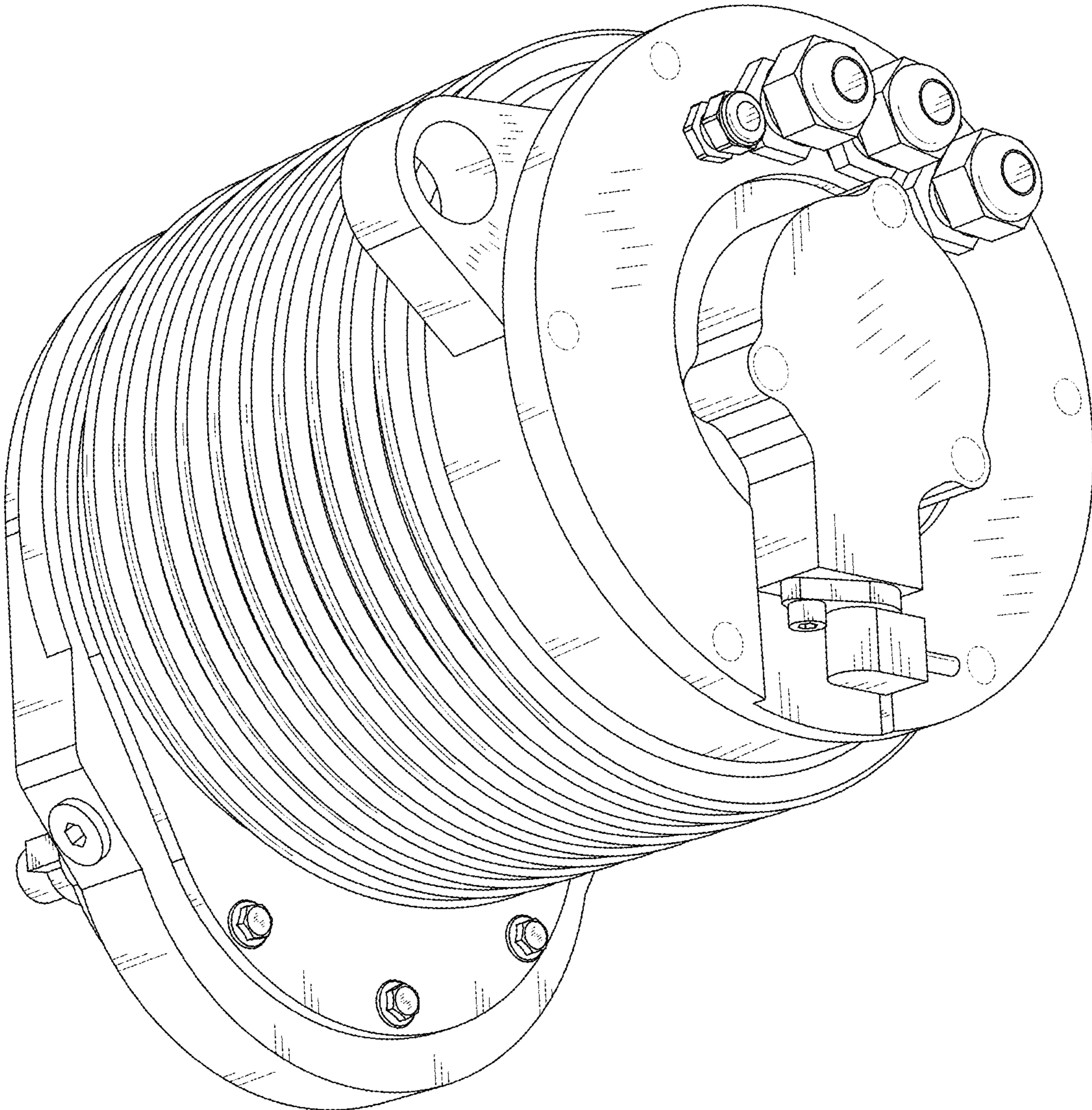


FIG. 3

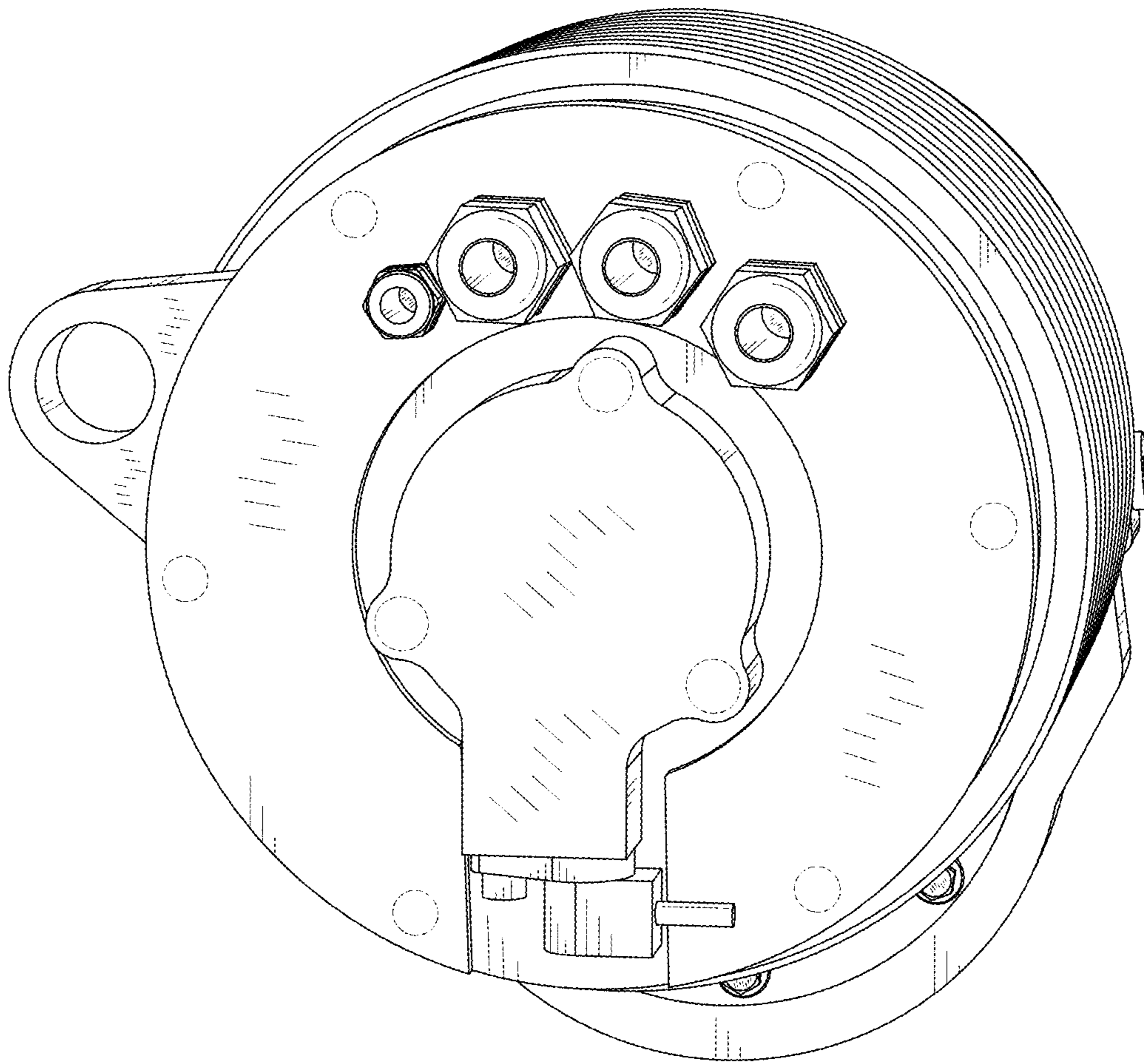


FIG. 4

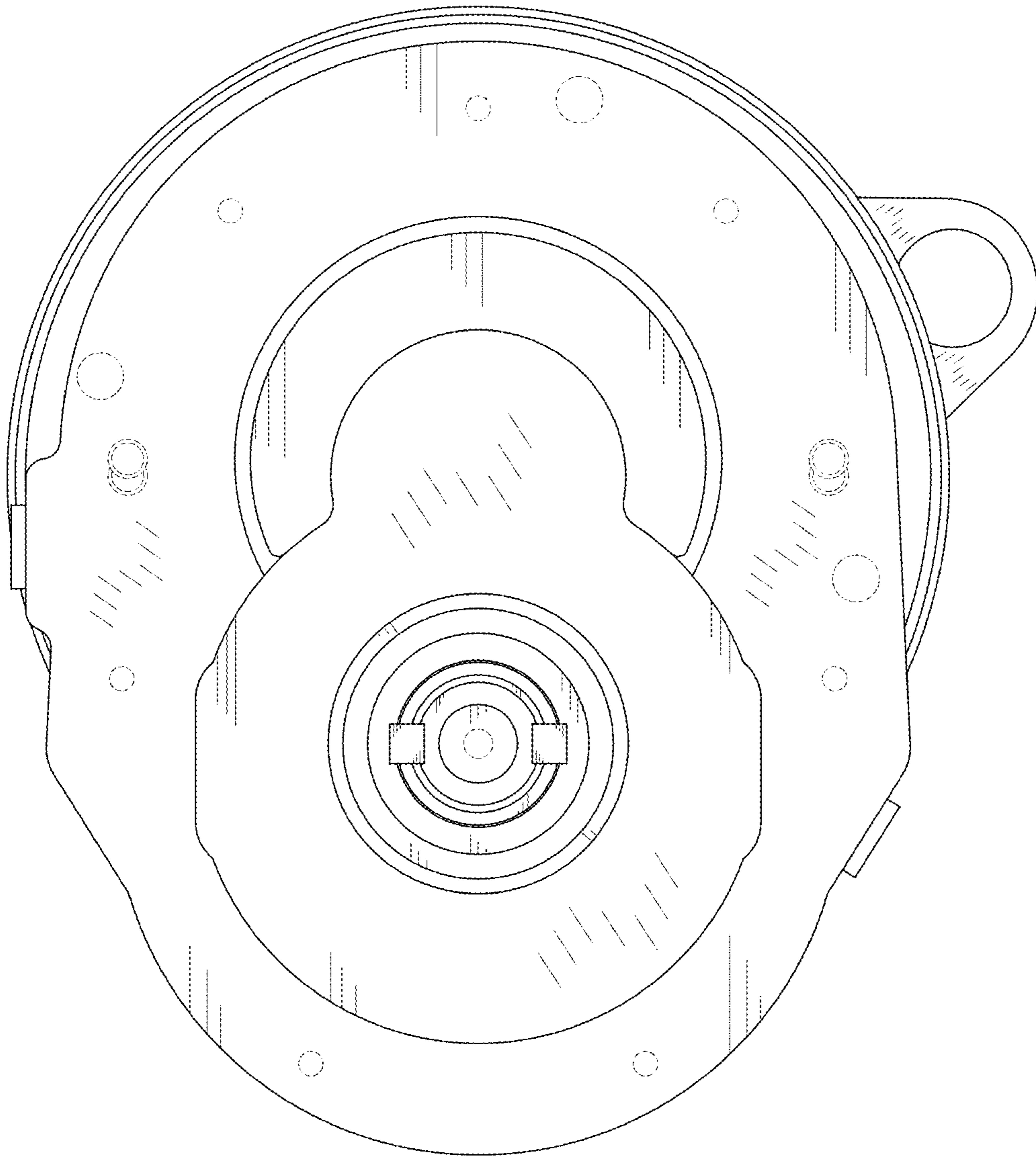


FIG. 5

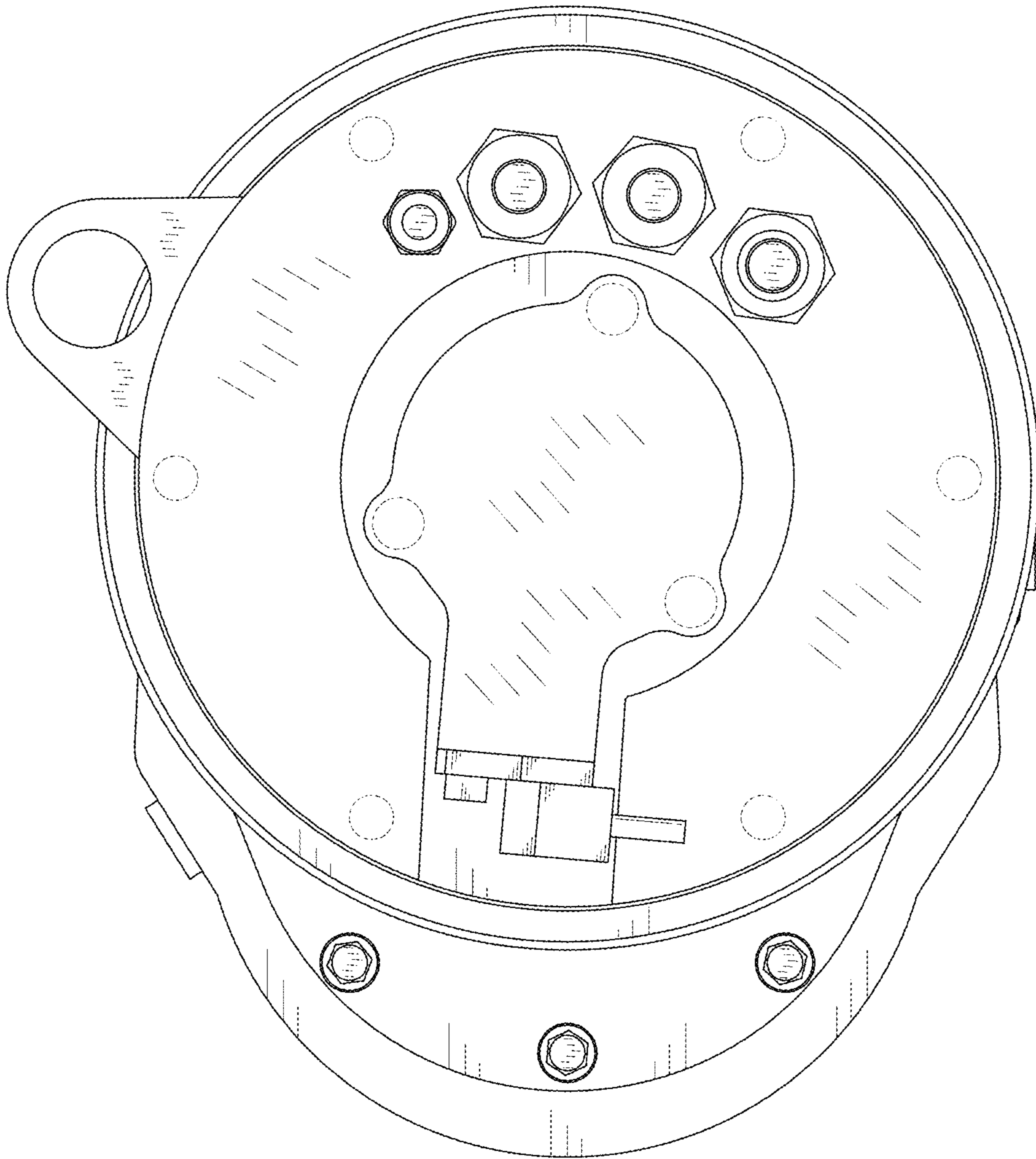


FIG. 6

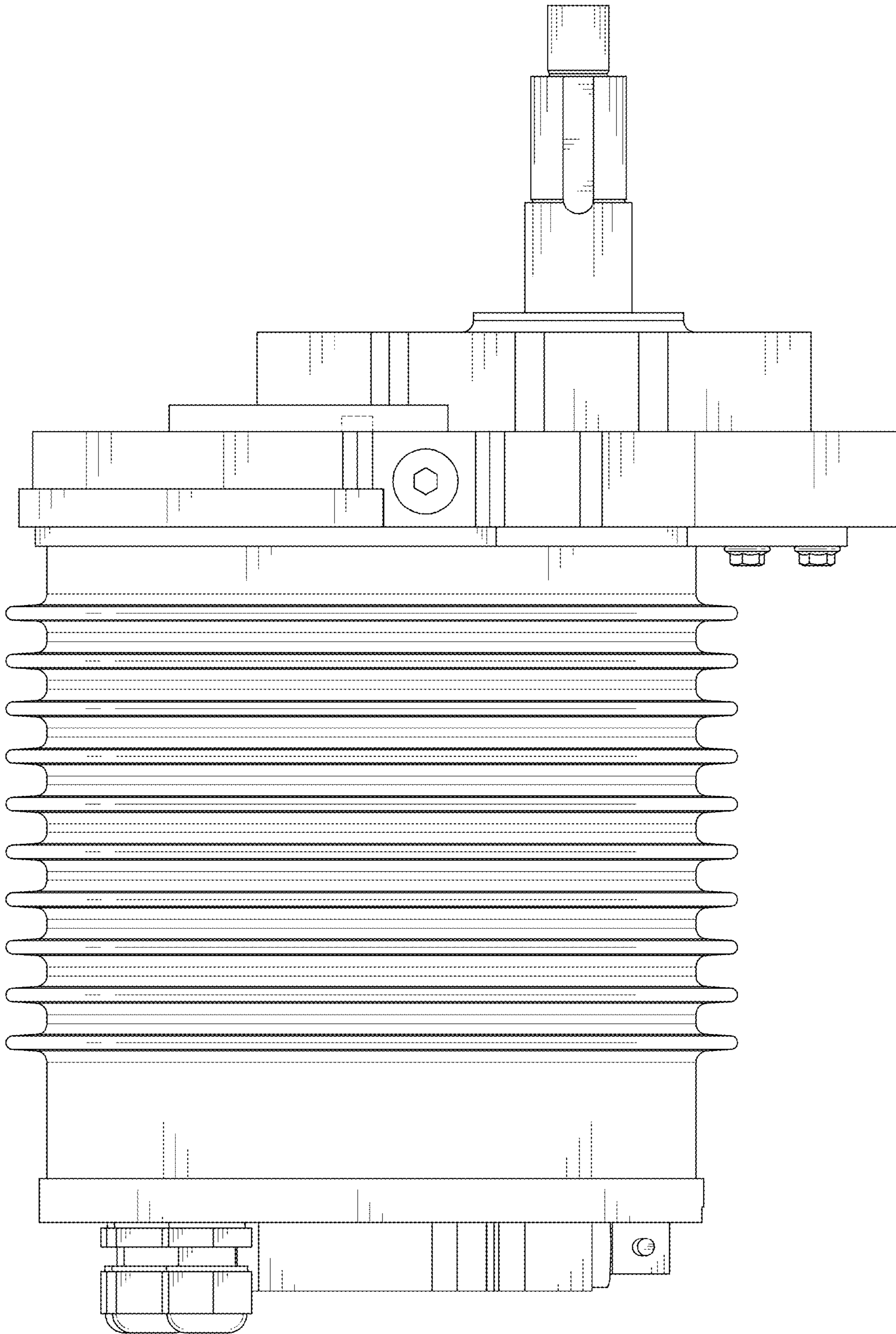


FIG. 7

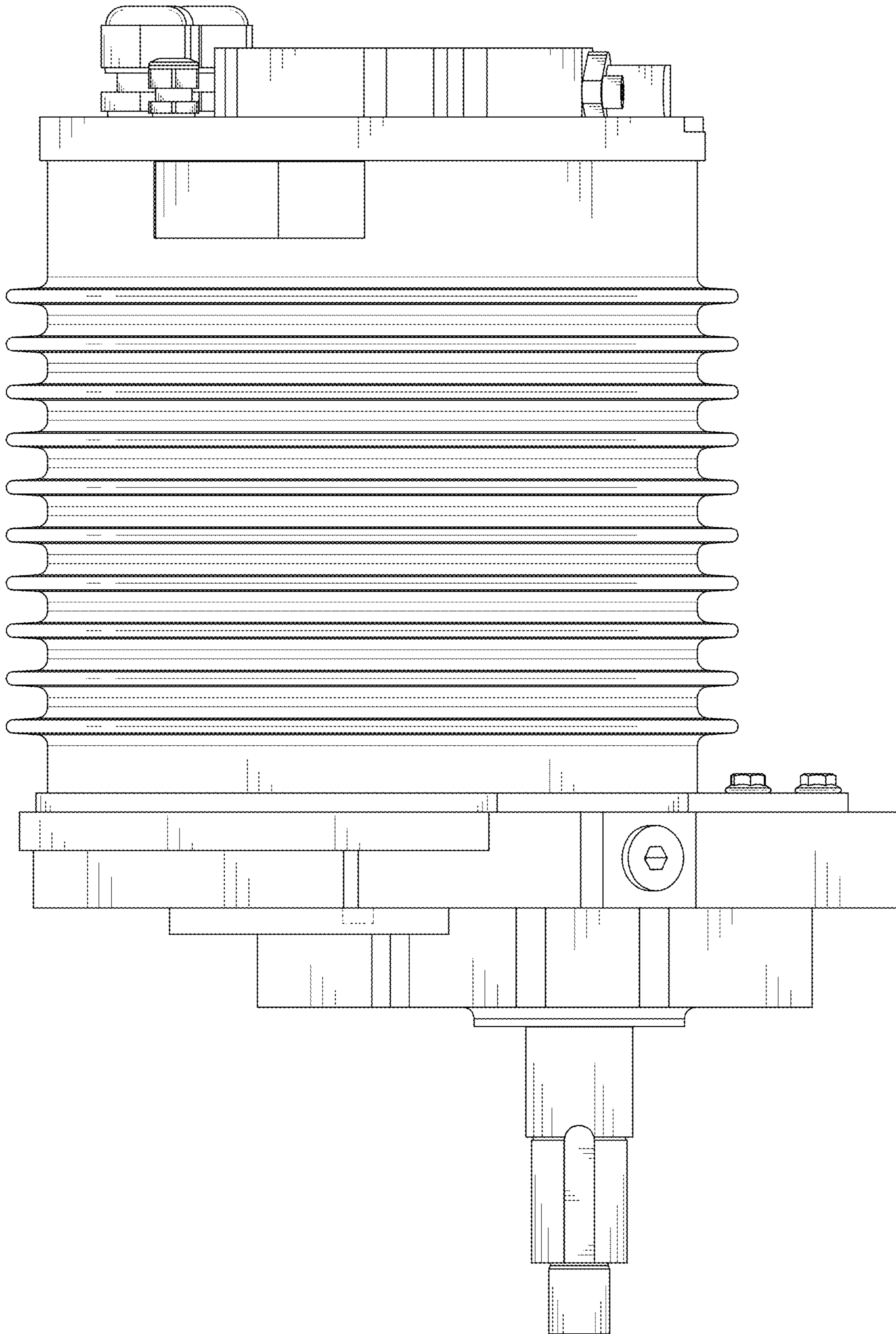


FIG. 8

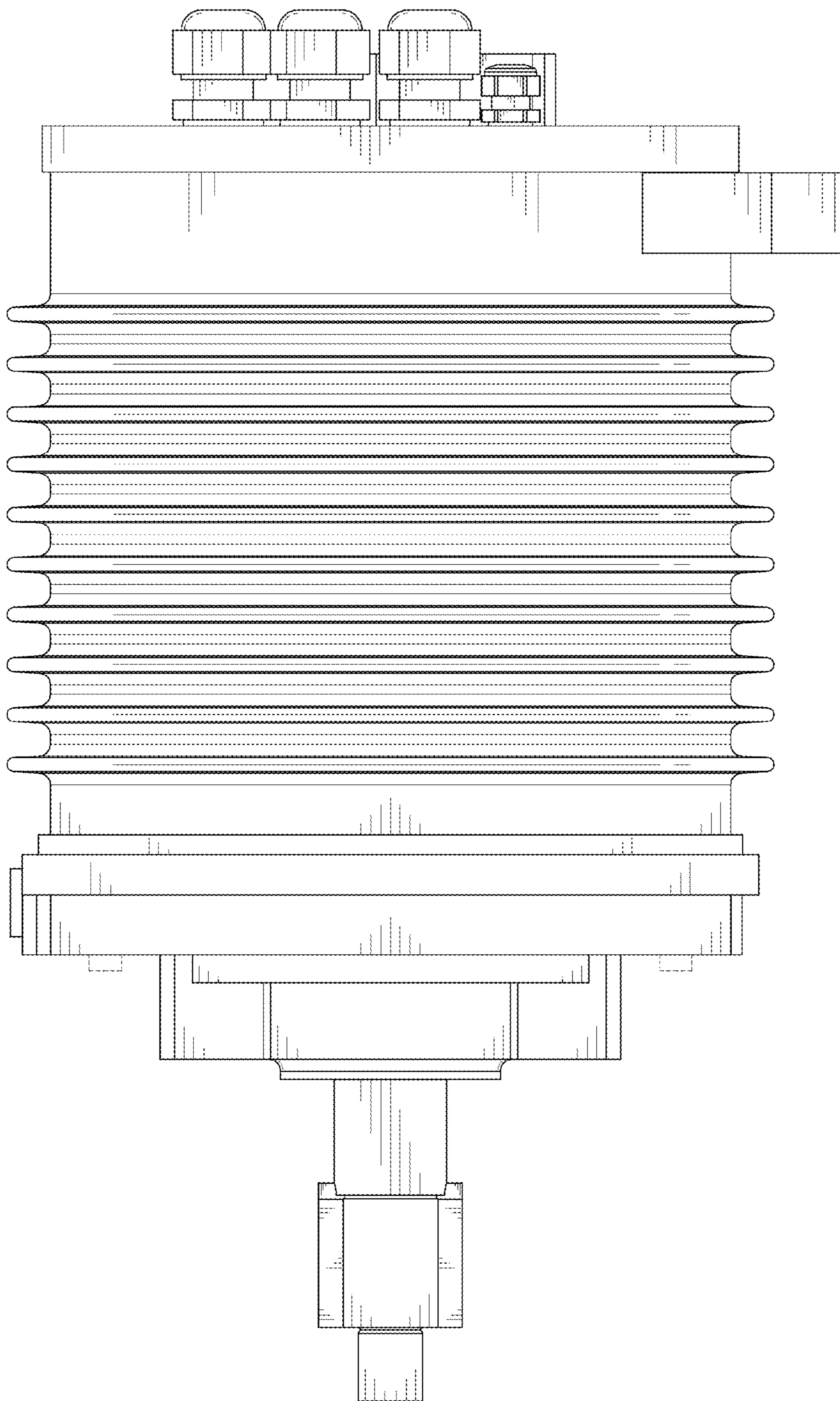


FIG. 9

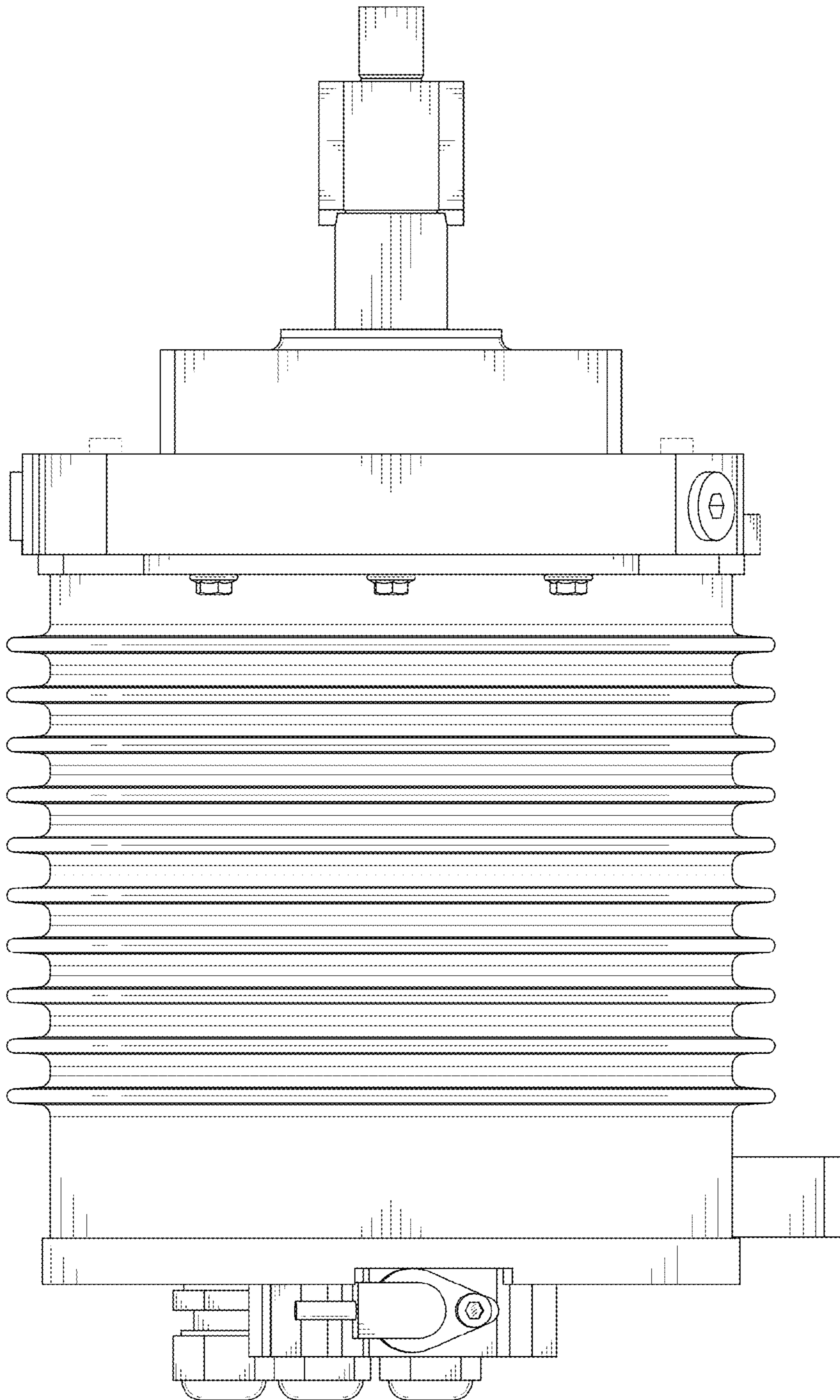


FIG. 10