



US00D930585S

(12) **United States Design Patent**  
**Yu**

(10) **Patent No.:** **US D930,585 S**  
(45) **Date of Patent:** **\*\* Sep. 14, 2021**

(54) **ENERGY STORAGE DEVICE**

(71) Applicant: **SHENZHEN EVERPLUS TECHNOLOGY CO., LTD**, Shenzhen (CN)  
(72) Inventor: **Zhenghua Yu**, Shenzhen (CN)  
(73) Assignee: **SHENZHEN EVERPLUS TECHNOLOGY CO., LTD**, Shenzhen (CN)

(\*\*) Term: **15 Years**

(21) Appl. No.: **29/716,940**

(22) Filed: **Dec. 13, 2019**

(51) **LOC (13) Cl.** ..... **13-02**

(52) **U.S. Cl.**  
USPC ..... **D13/110**

(58) **Field of Classification Search**  
USPC ..... D13/103, 199, 107, 108, 110, 184, 104,  
D13/105, 106, 118, 119, 123, 133;  
D15/9; D14/432, 434  
CPC ..... H02J 1/122; H02J 7/0045; H02J 7/0078;  
H02J 7/00714; H02J 7/00716; H02J  
7/0025; H02J 7/0027; H02J 7/14; H02J  
7/1461; H02M 7/003; H02M 7/42  
See application file for complete search history.

(56) **References Cited**

**U.S. PATENT DOCUMENTS**

D511,491 S	*	11/2005	Hriscu	.....	D13/107
D549,170 S	*	8/2007	Yen	.....	D13/107
D594,405 S	*	6/2009	Murray	.....	D13/107
D609,632 S	*	2/2010	Daniels	.....	D13/107
D609,633 S	*	2/2010	Daniels	.....	D13/107
D609,634 S	*	2/2010	Daniels	.....	D13/107
D609,635 S	*	2/2010	Daniels	.....	D13/107
D624,492 S	*	9/2010	Daniels	.....	D13/107

(Continued)

**FOREIGN PATENT DOCUMENTS**

CN 304783423 \* 8/2018

**OTHER PUBLICATIONS**

“200W Portable Power Station, FlashFish 40800mAh Solar Generator with 110V AC Outlet/2 DC Ports/3 USB Ports, Backup Battery Pack Power Supply for CPAP Outdoor Adventure Load Trip Camping Emergency.”, first accessed Apr. 13, 2021. Amazon.com [https://www.amazon.com/Portable-FlashFish-Generator-Adventure-Emergency/dp/B07T48L6CF/ref=asc\_df\_B07T48L6CF/?tag=hyprod-20&linkCode%2E%80%A6]. (Year: 2021).\*

(Continued)

*Primary Examiner* — Rosemary K Tarcza  
*Assistant Examiner* — Seth David Kumpf

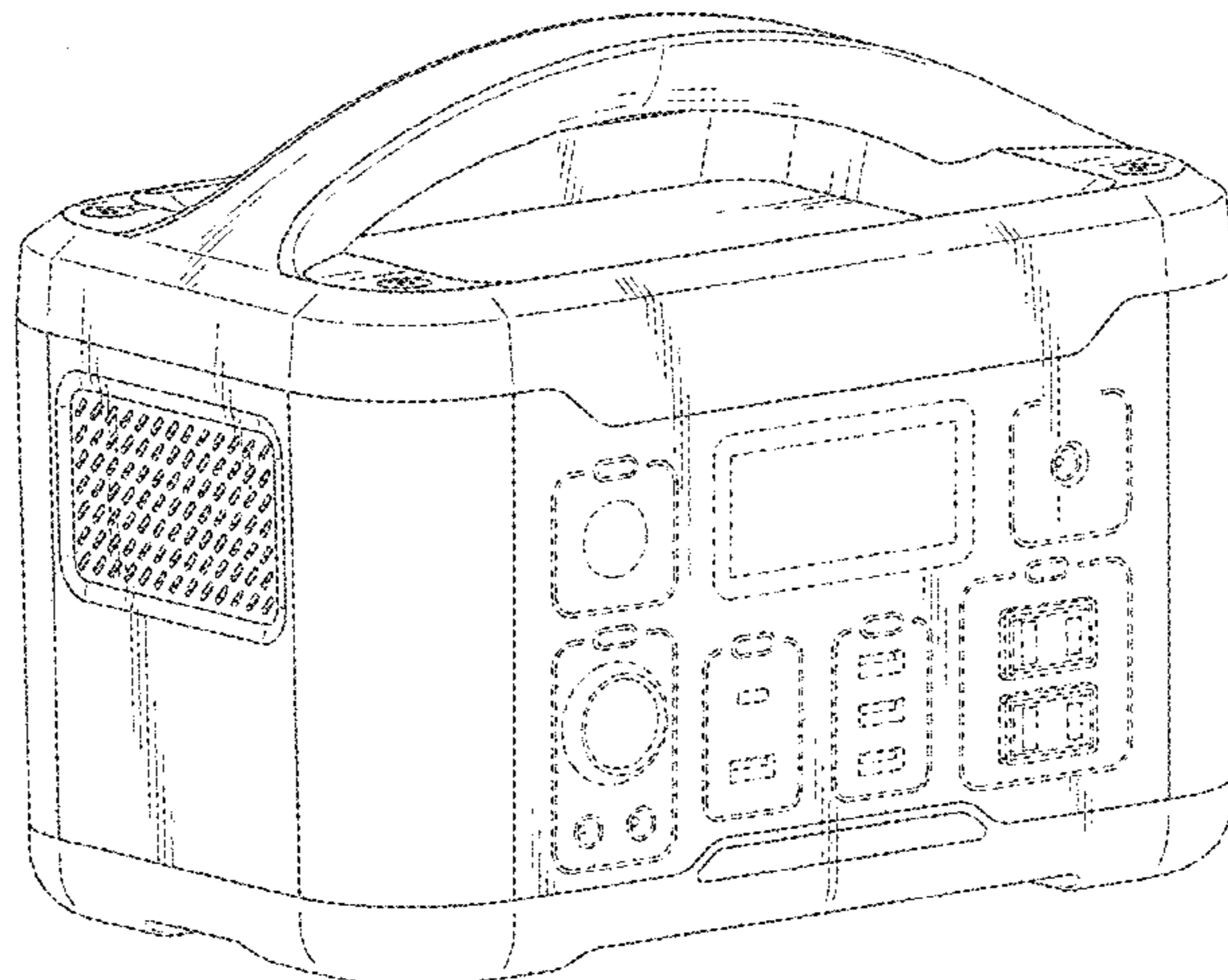
(57) **CLAIM**

The ornamental design for an energy storage device, as shown and described.

**DESCRIPTION**

FIG. 1 is a perspective view of a first embodiment of an energy storage device showing my new design;  
FIG. 2 is a front elevational view thereof;  
FIG. 3 is a rear elevational view thereof;  
FIG. 4 is a left side elevational view thereof;  
FIG. 5 is a right side elevational view thereof;  
FIG. 6 is a top plan view thereof;  
FIG. 7 is a bottom plan view thereof;  
FIG. 8 is a perspective view of a second embodiment of an energy storage device;  
FIG. 9 is a front elevational view thereof;  
FIG. 10 is a rear elevational view thereof;  
FIG. 11 is a left side elevational view thereof;  
FIG. 12 is a right side elevational view thereof;  
FIG. 13 is a top plan view thereof; and,  
FIG. 14 is a bottom plan view thereof.  
The broken lines are for the purpose of illustrating portions of the energy storage device that form no part of the claimed design.

**1 Claim, 14 Drawing Sheets**



(56)

References Cited

U.S. PATENT DOCUMENTS

D624,493	S *	9/2010	Daniels	.....	D13/107
D624,876	S *	10/2010	Daniels	.....	D13/107
D634,706	S *	3/2011	Takeno	.....	D13/107
D653,203	S *	1/2012	DuMelle	.....	D13/107
D653,612	S *	2/2012	DuMelle	.....	D13/107
D664,499	S *	7/2012	Workman	.....	D13/107
D695,680	S *	12/2013	Workman	.....	D13/103
D764,403	S *	8/2016	Azuma	.....	D13/103
D811,456	S *	2/2018	Dekker	.....	D15/144
D812,119	S *	3/2018	Dekker	.....	D15/144
D837,149	S *	1/2019	Yin	.....	D13/108
D842,240	S *	3/2019	Lai	.....	D13/107
2007/0285049	A1 *	12/2007	Krieger	.....	H01M 50/213 320/105

OTHER PUBLICATIONS

“HALO Portable Back-up Power Station w/ AC Outlets, USB and DC Ports”, first accessed Apr. 13, 2021. QVC.com [https://www.

qvc.com/qvc.product.E234476.html?colorId=180&sizeId=000&ref=GBA&cm\_mmc=GOOGLESHOPIINGFEED-\_-GShop-ping|M|Generic|E2%80%A6/ (Year: 2021).\*

“KYNG Portable Power Station 540wh Solar Generator Backup Lithium Battery Pure Sine Wave AC Outlet, 1000w peak, Emergency Power Supply, CPAP, Outdoors, Camping, Portable Generator Rechargeable Inverter”, first available Dec. 1, 2019. Amazon.com [https://www.amazon.com/Kyng-Power-Generator-Emergency-Rechargeable/dp/B07SVL2CP3/ref=sr\_1\_49\_sspa?dchild=1&keywords=Energy+Stora%E2%80%A6] (Year: 2019).\*

“Power Station 300W”, first accessed Apr. 13, 2021. EverPlus.com [http://www.ever-plus.com/en/product/4/detail/ (Year: 2021).\*

“Outdoor Portable Energy Storage Power Supplys Outdoor Power Supplys Outdoor Mobile Power Supplys Energy Storage Power Station Emergency Outdoor Camping Appliances”, first accessed Apr. 13, 2021. TomTop.com [https://www.tomtop.com/p-e15156c.html?currency=USD&Warehouse=CN] (Year: 2021).\*

“NinjaBatt Powerstation 280Wh”, first accessed Apr. 13, 2021. NinjaBatt.com [https://www.ninjabatt.com/product/power-station-280wh/?dTribeID=e1aa6f2eed81f5b8ee16c5e8becc2a13%7Cadtribes%7C27489&utm\_source=Google] (Year: 2021).\*

\* cited by examiner

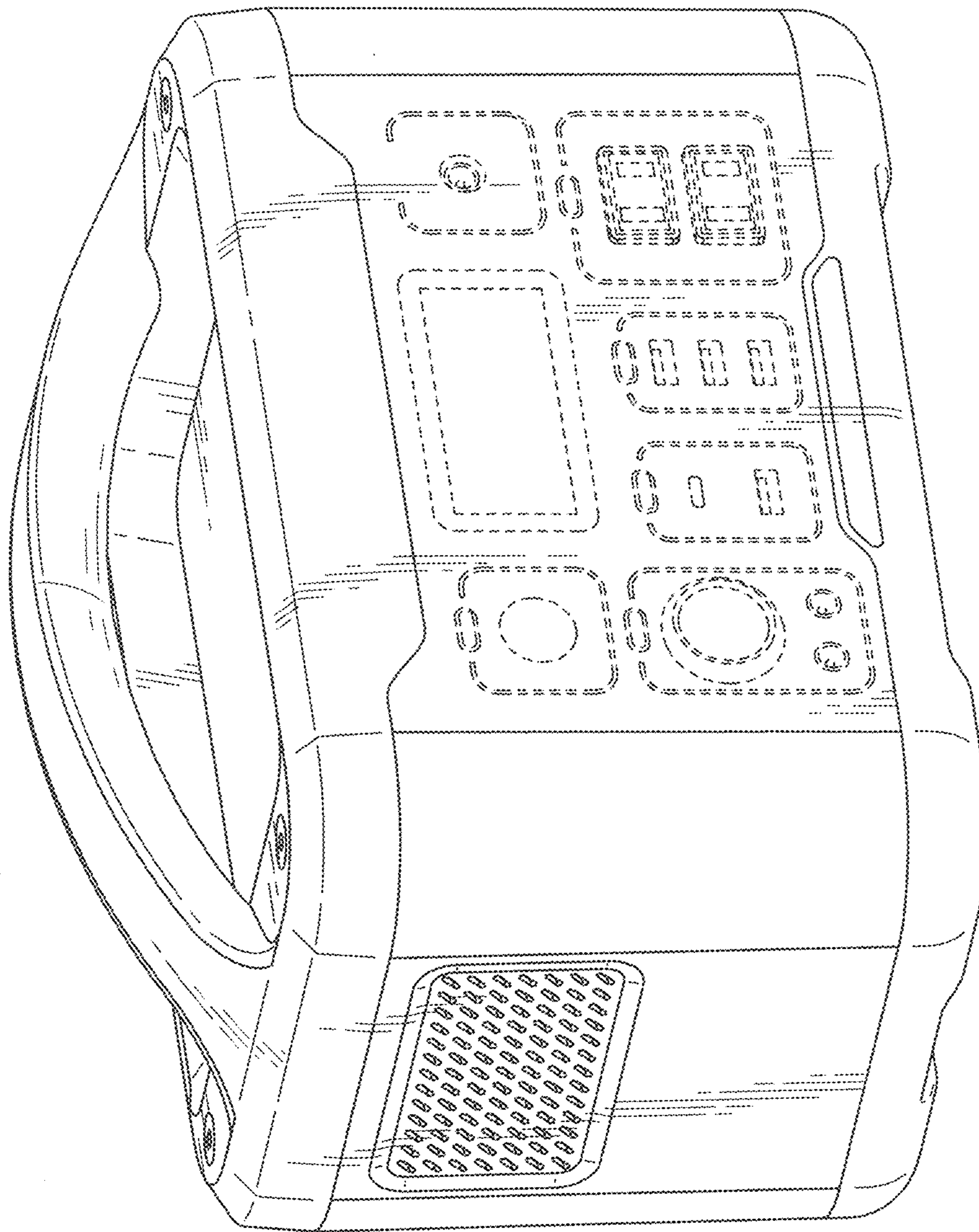


FIG. 1

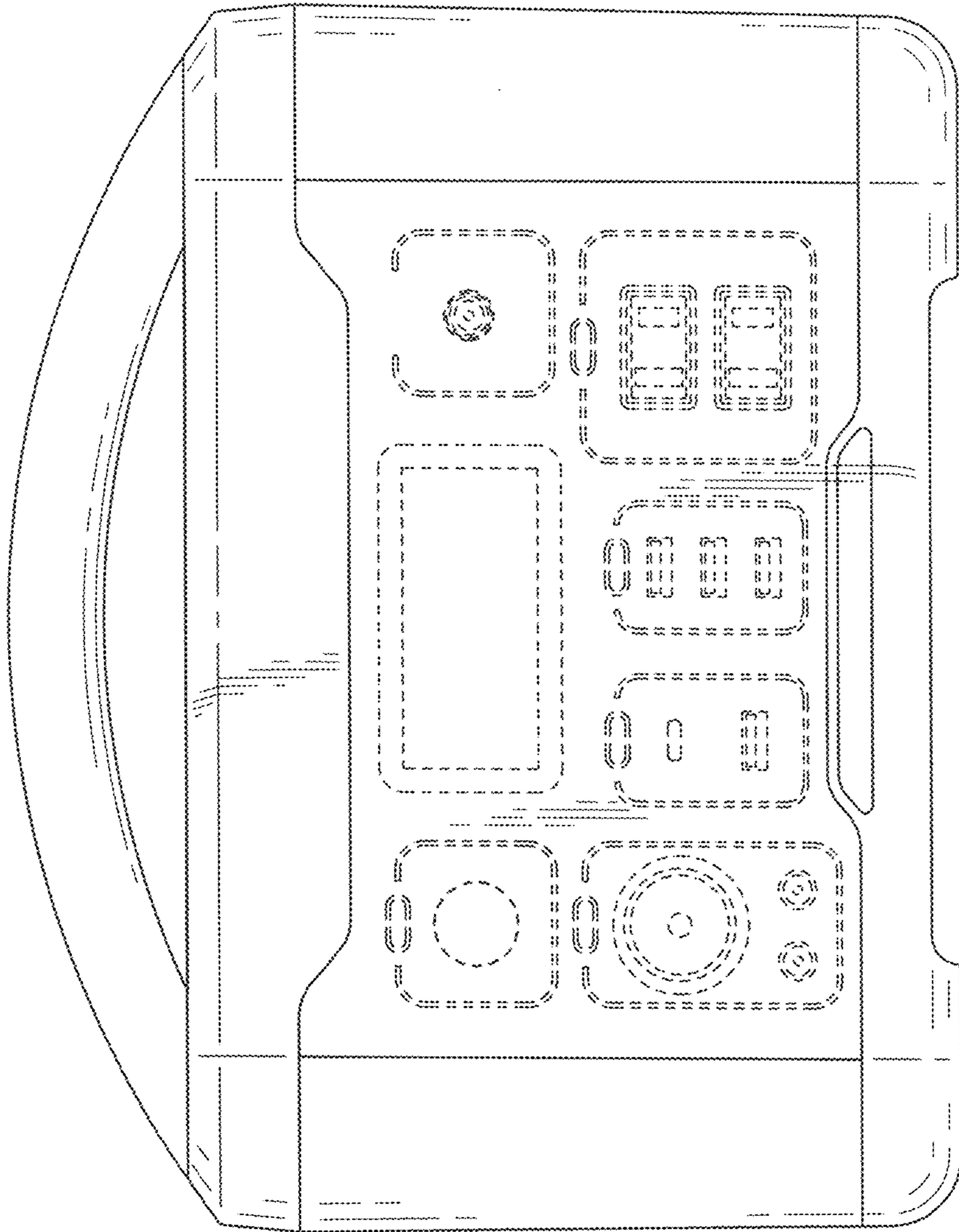


FIG. 2

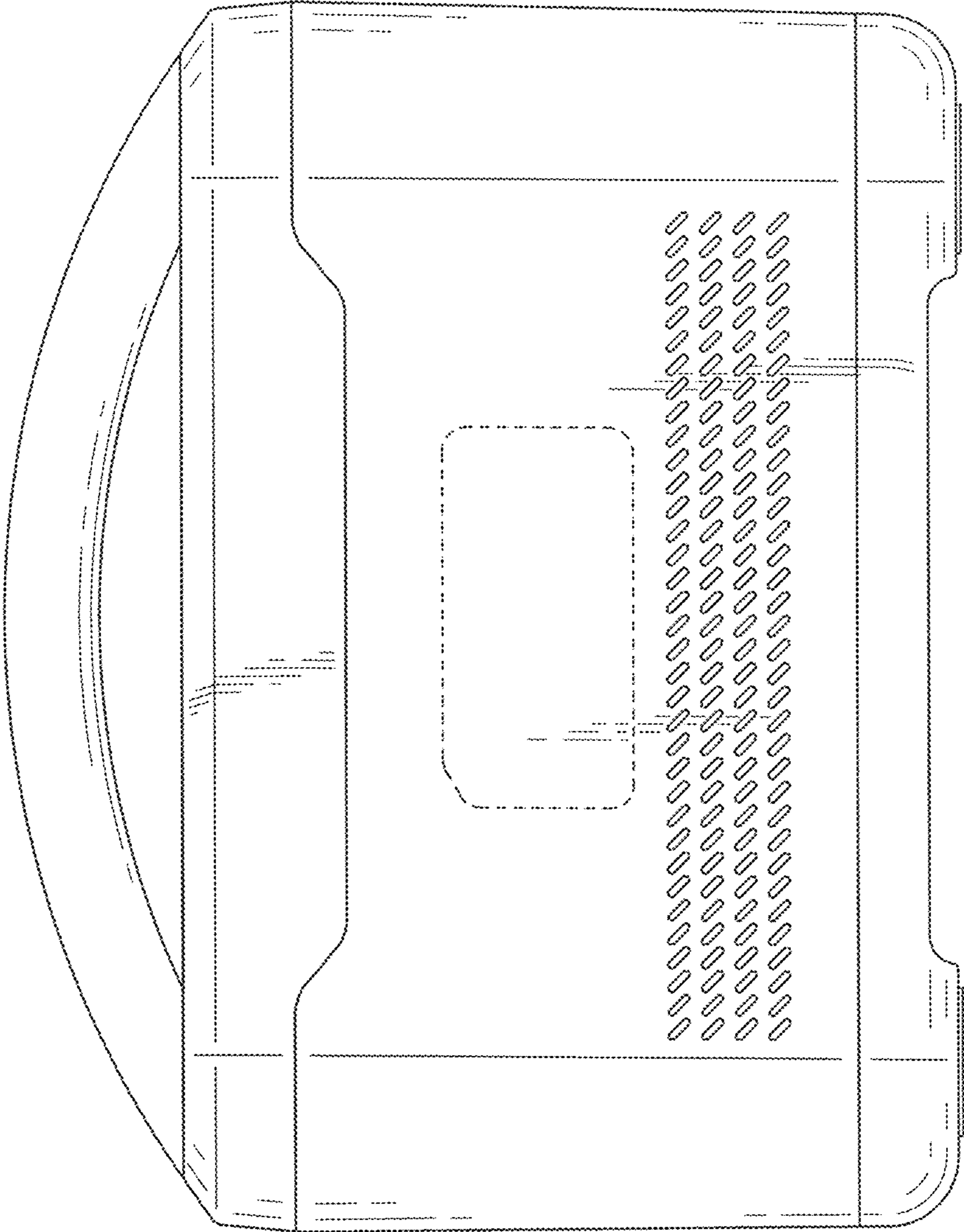


FIG. 3

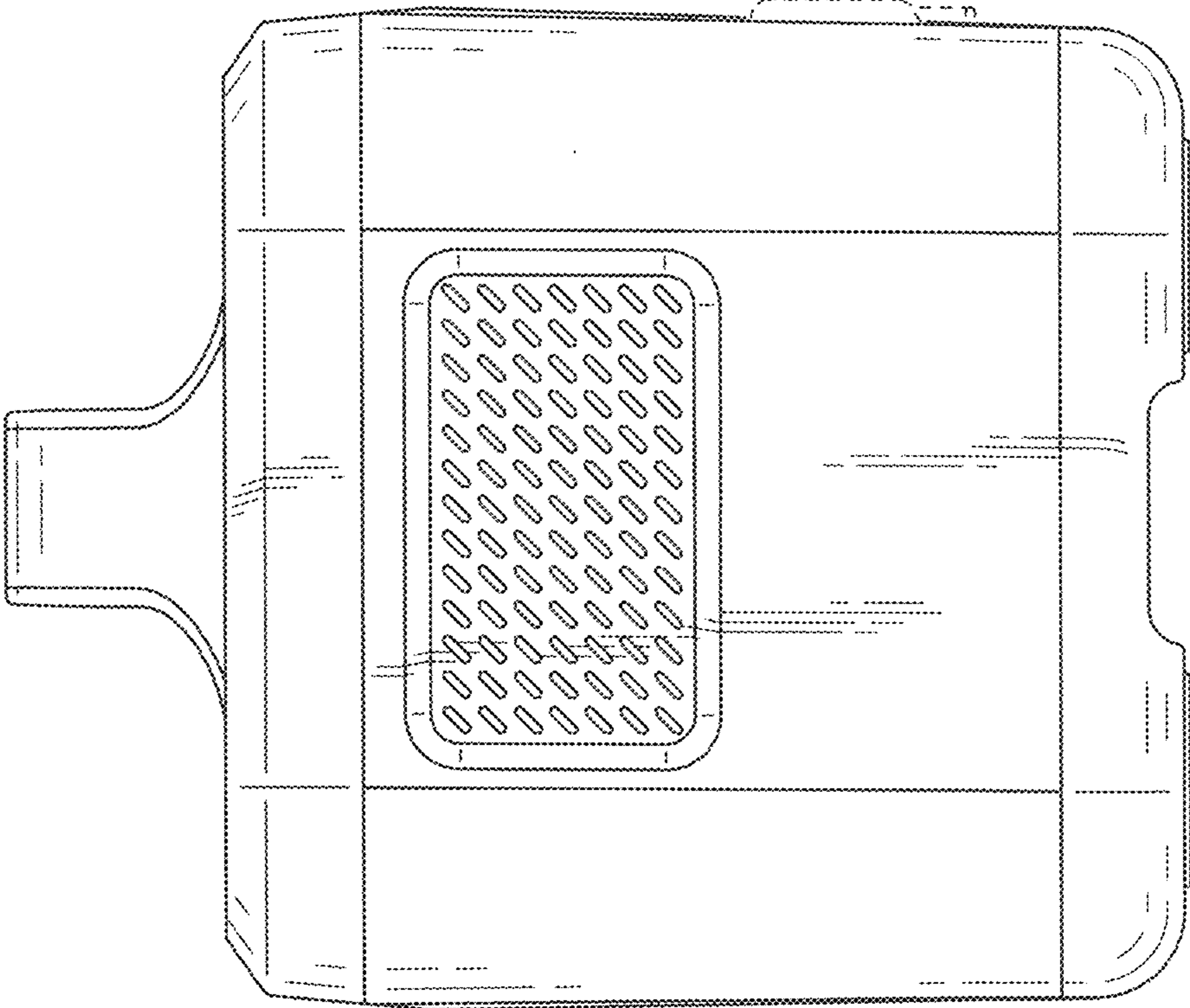


FIG. 4

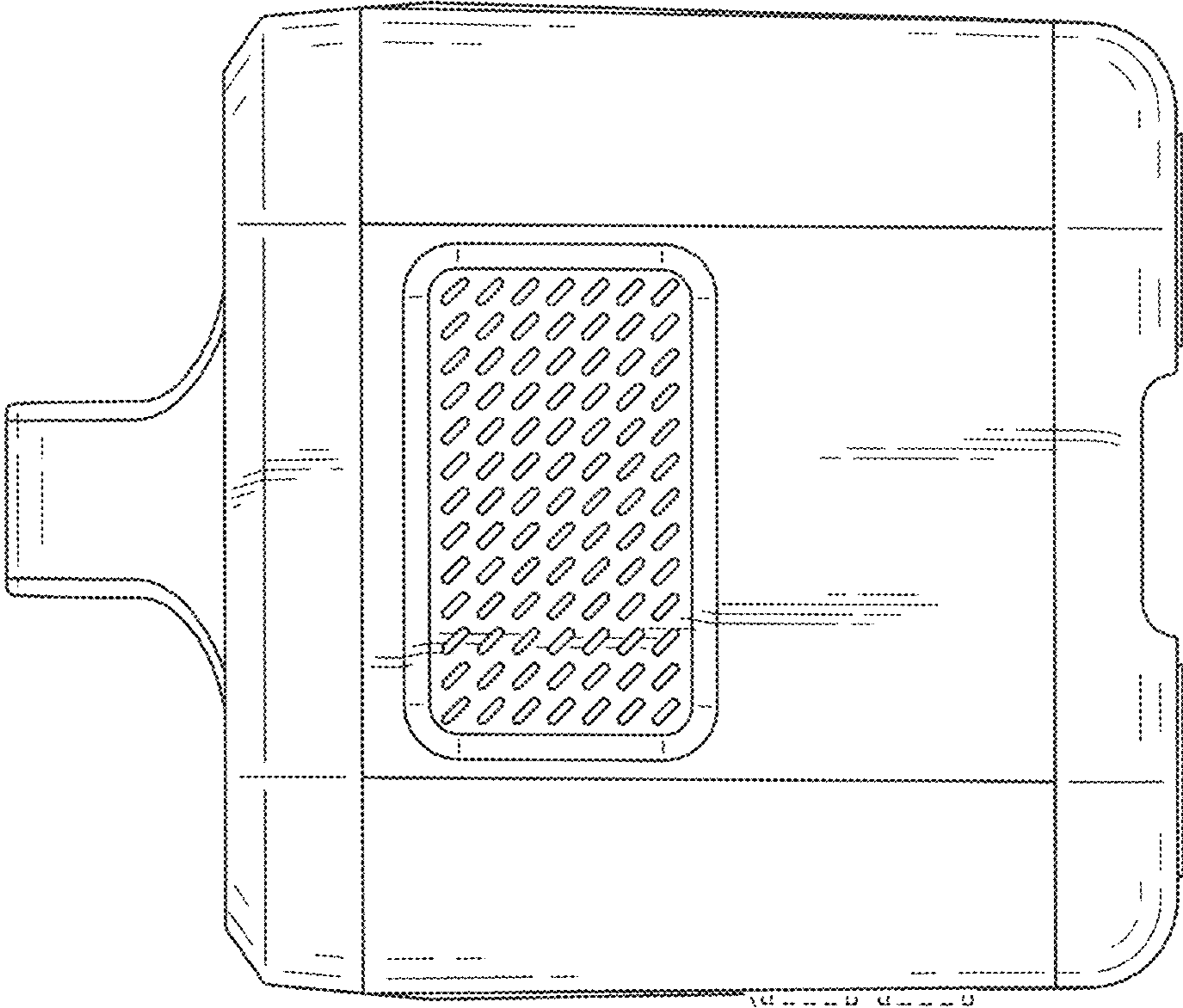


FIG. 5

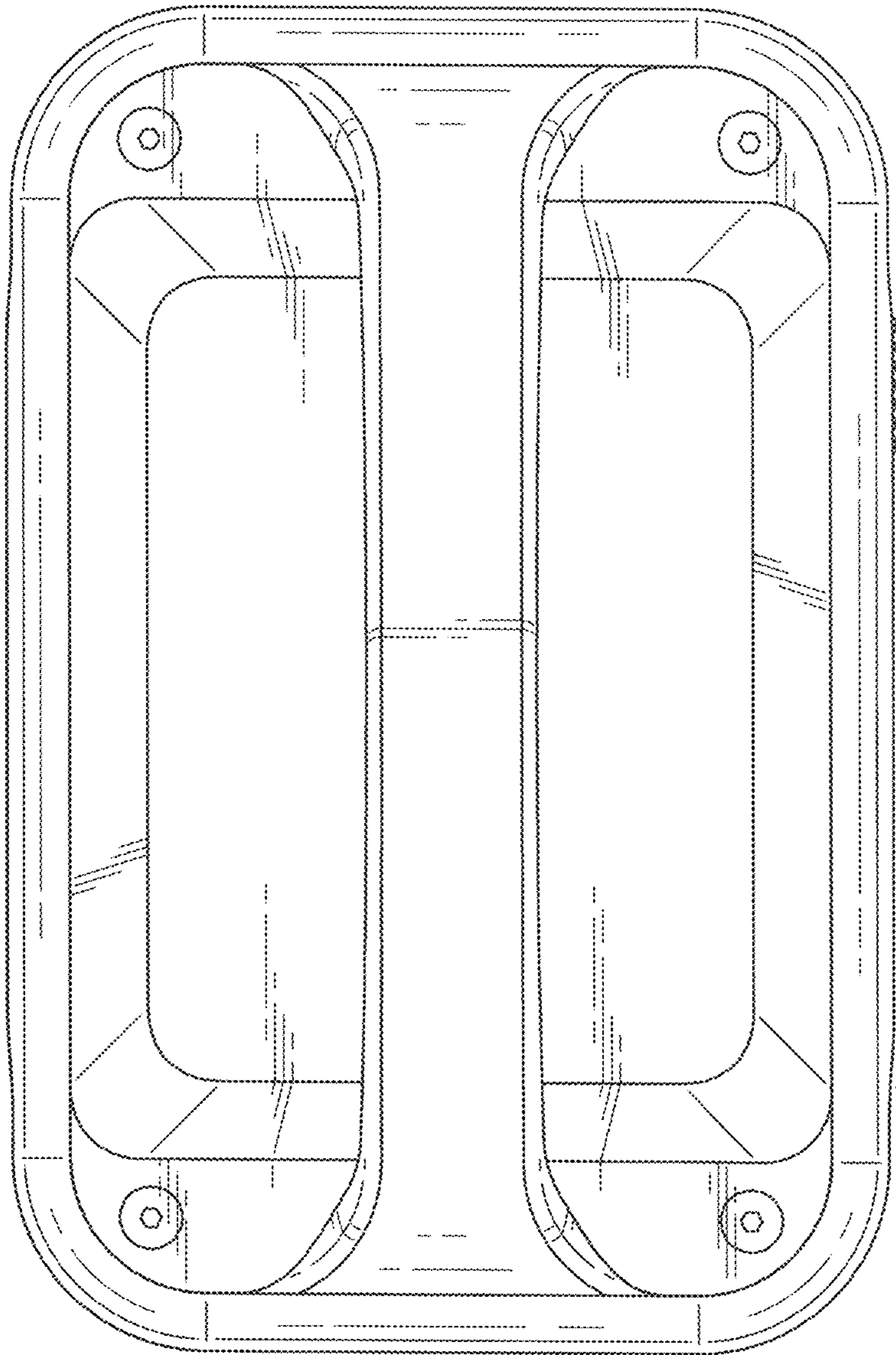


FIG. 6



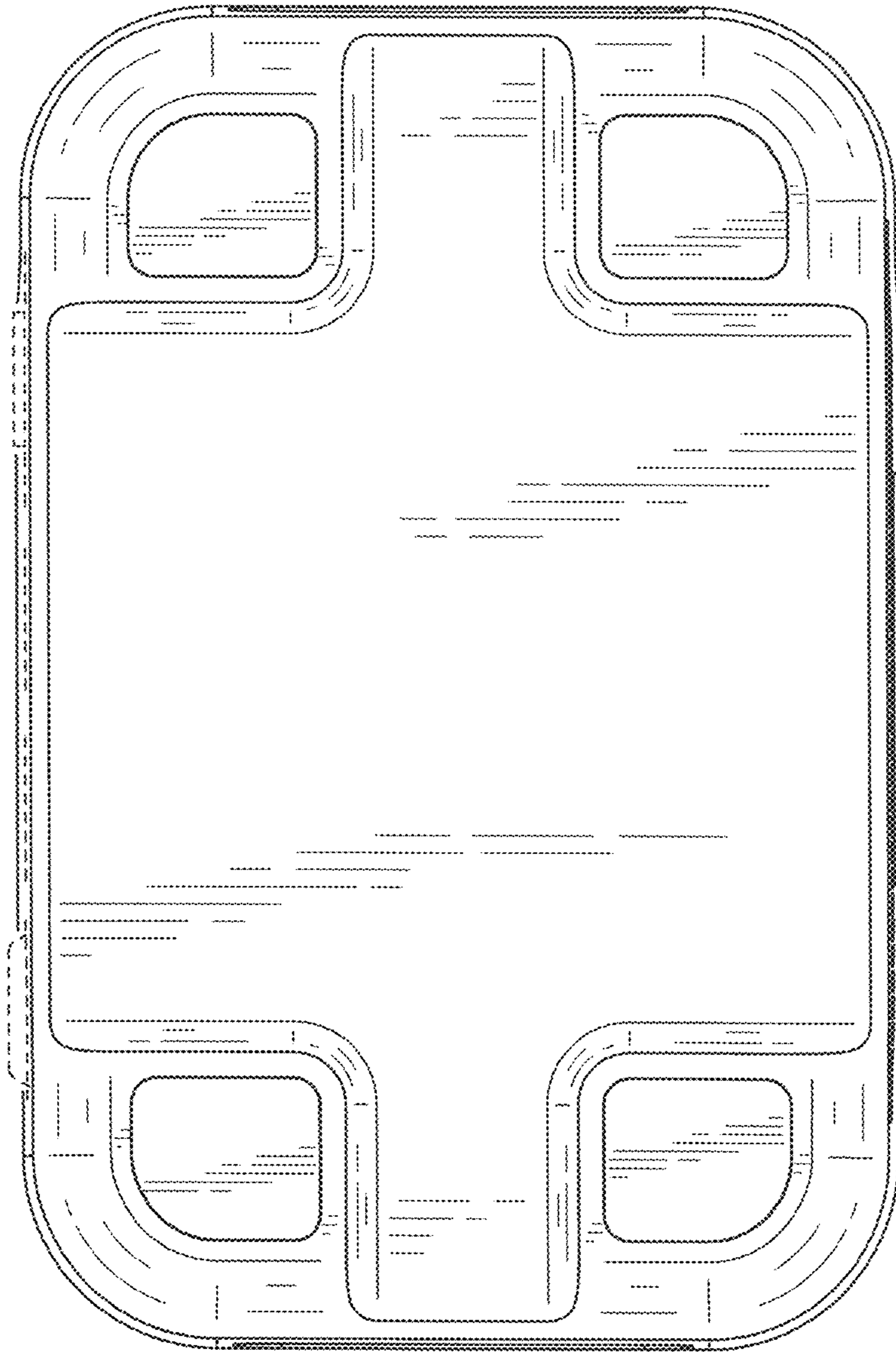


FIG. 7

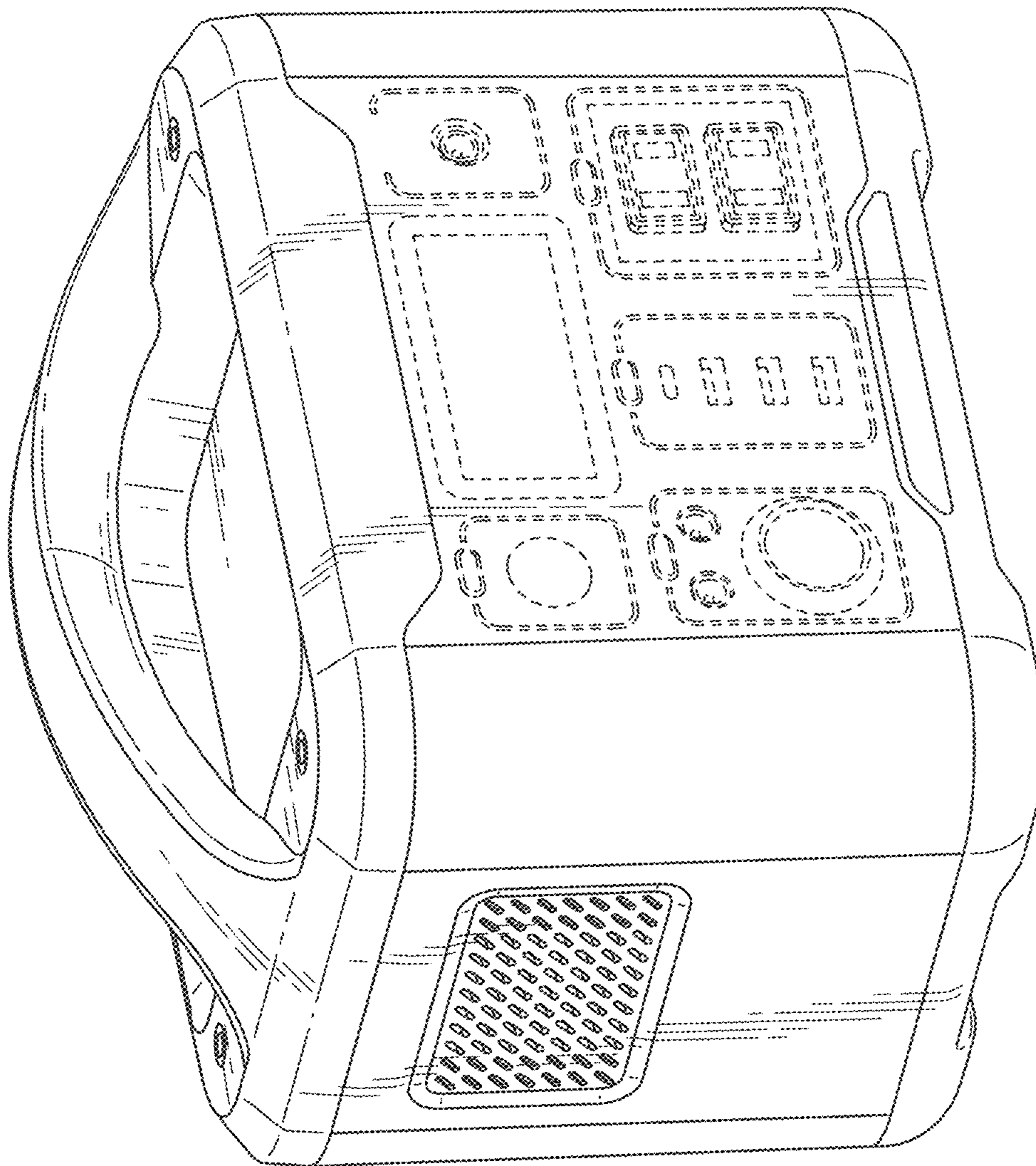


FIG. 8

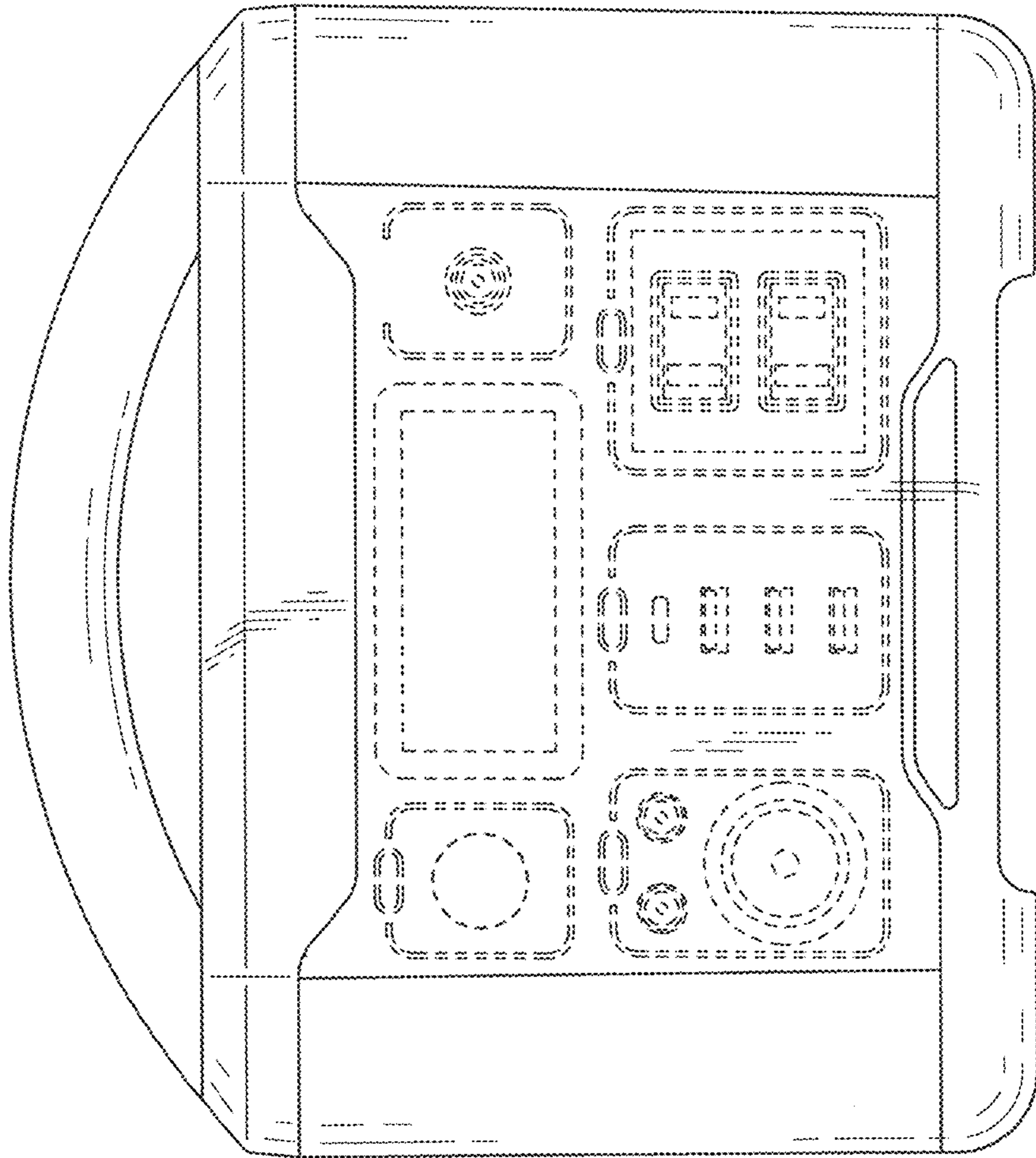


FIG. 9

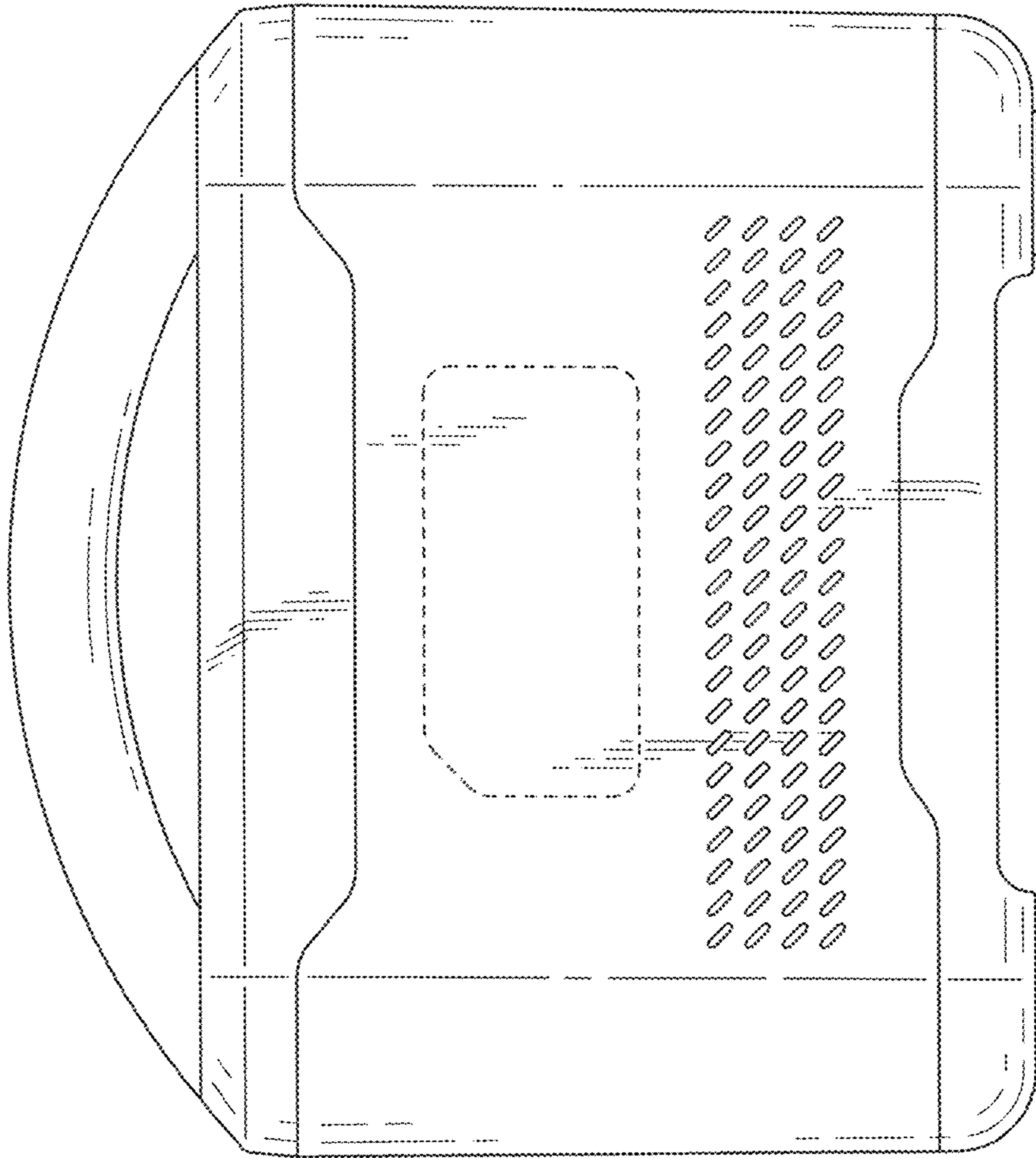


FIG. 10

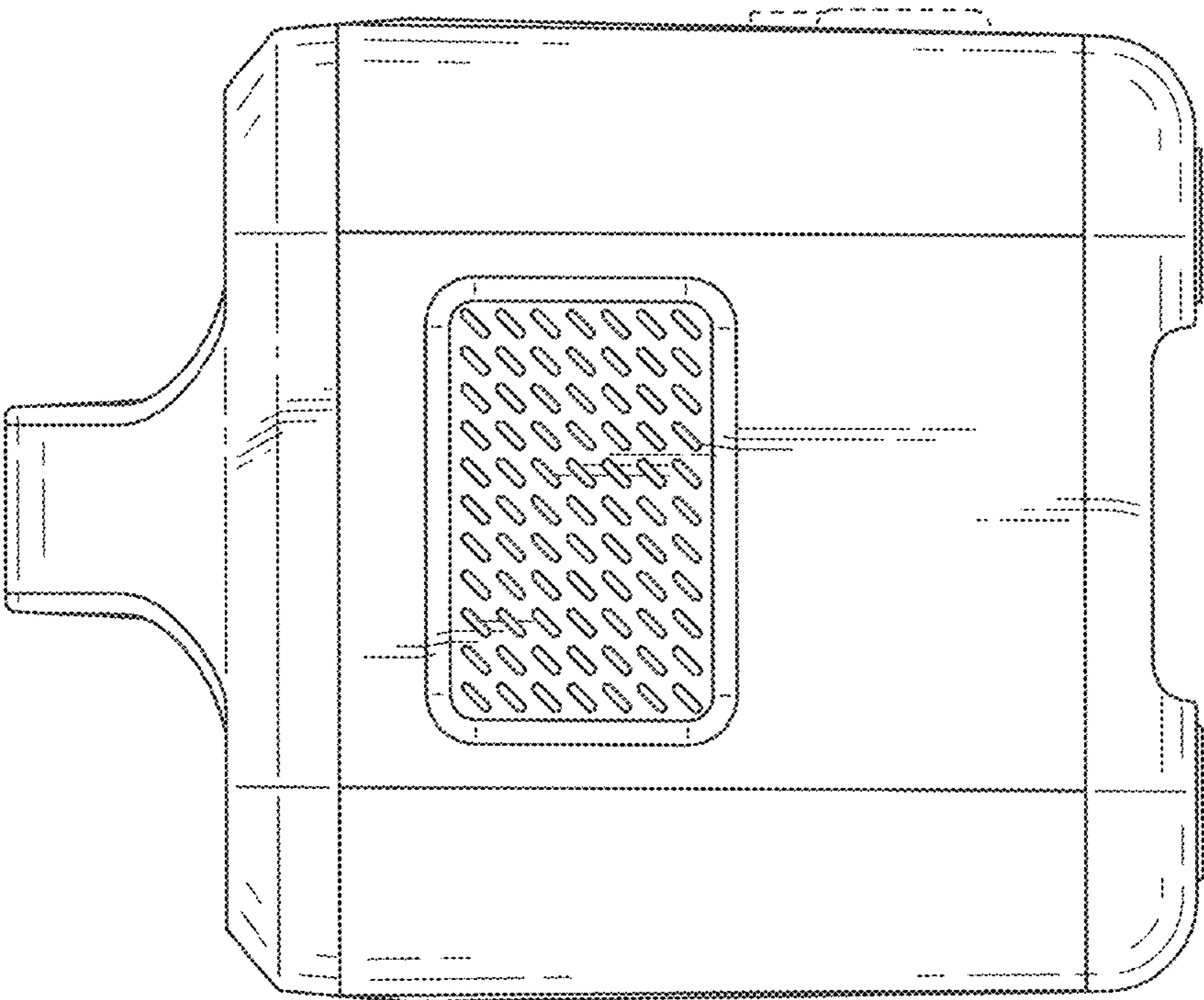


FIG. 11

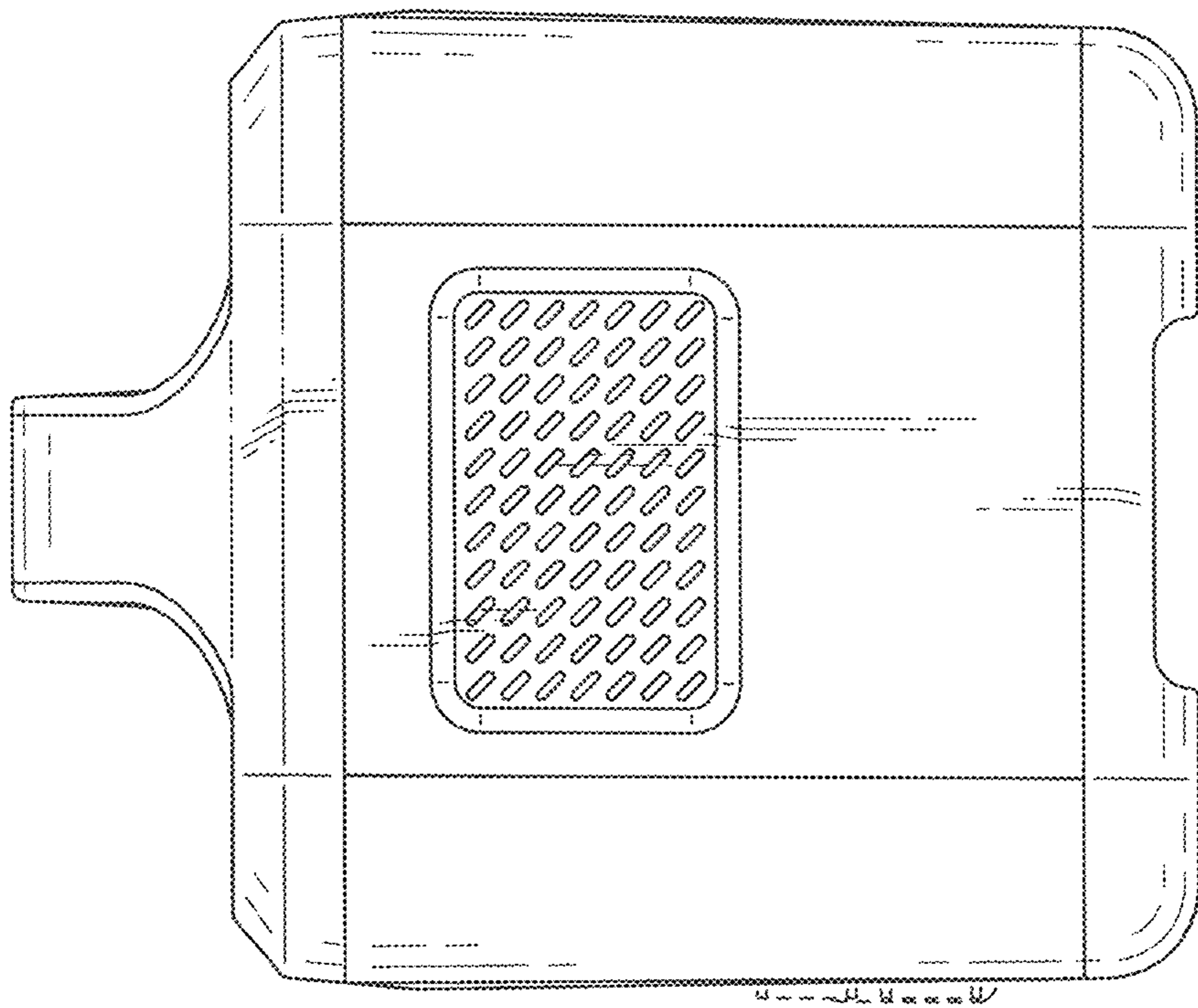


FIG. 12

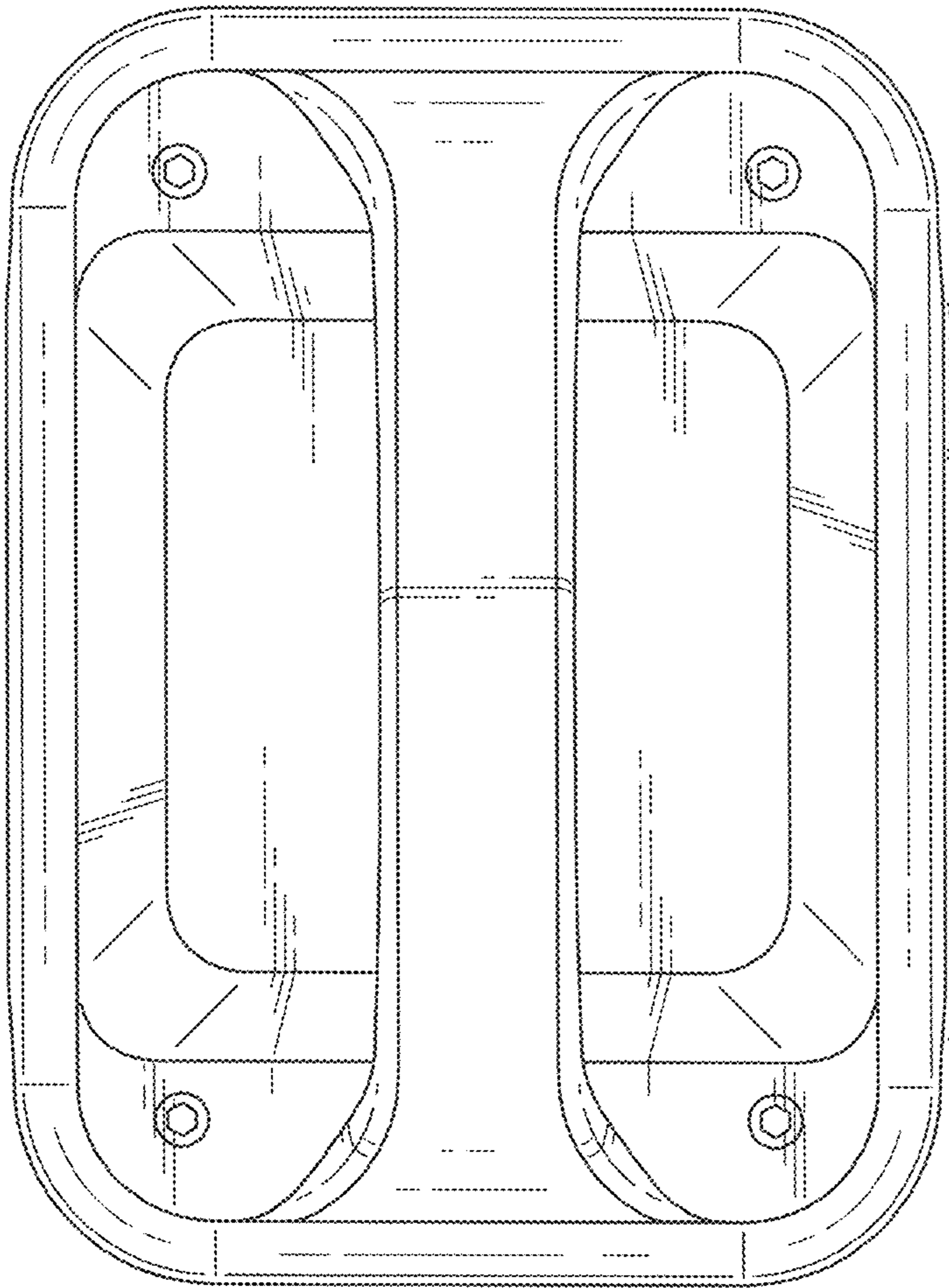


FIG. 13

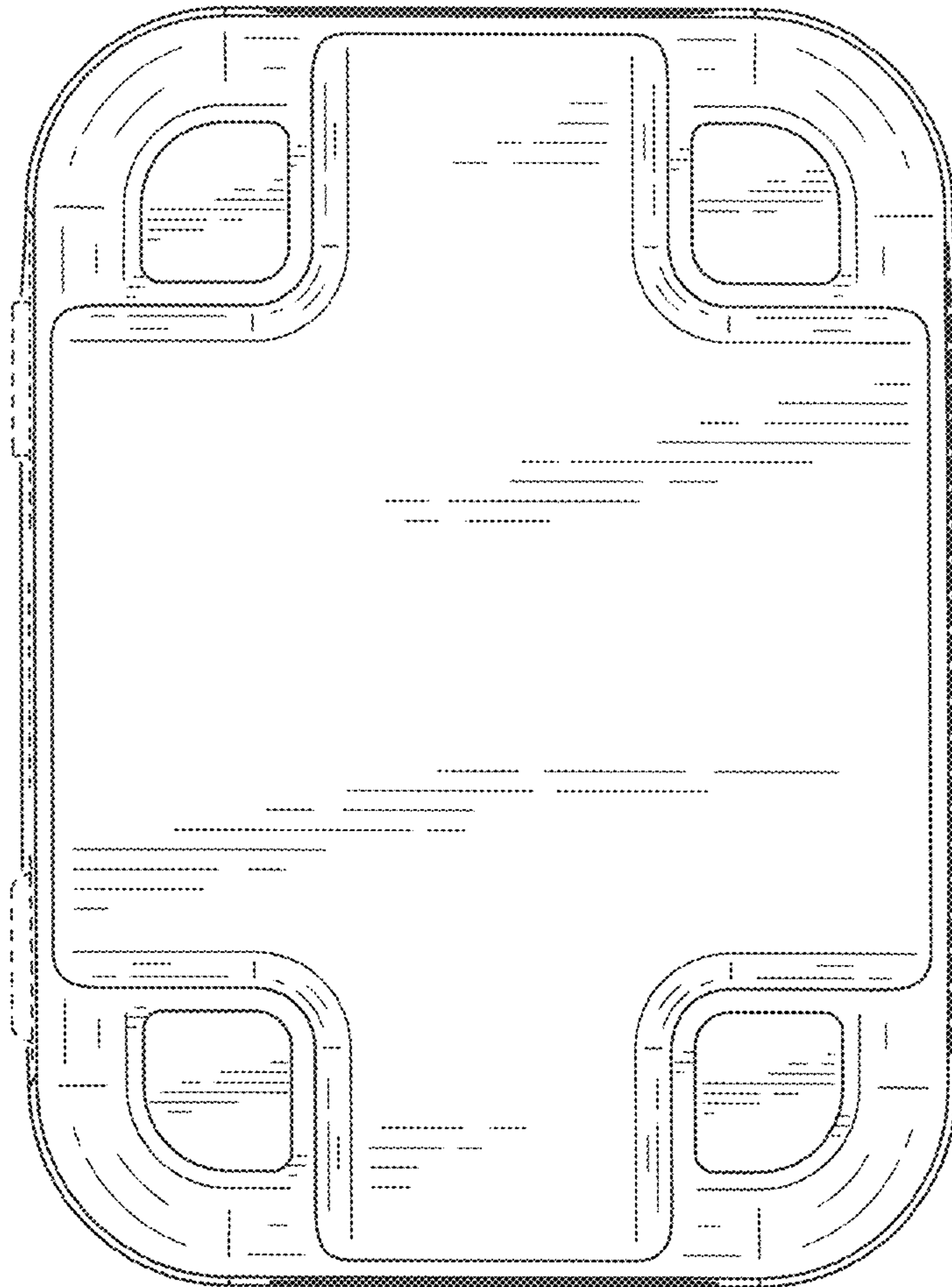


FIG. 14