



US00D930582S

(12) **United States Design Patent** (10) **Patent No.:** **US D930,582 S**  
**Lee** (45) **Date of Patent:** **\*\* Sep. 14, 2021**

(54) **STAND FOR ELECTRONIC DEVICE**  
(71) Applicant: **ELAGO COMPANY CO., LTD.,**  
Goyang-si (KR)  
(72) Inventor: **Chanwoo Lee,** Goyang-si (KR)  
(73) Assignee: **ELAGO COMPANY CO., LTD.,**  
Goyang-si (KR)

D851,036 S 6/2019 Saangloef et al.  
D851,587 S \* 6/2019 Schmidt ..... D13/108  
D868,691 S 12/2019 Sun  
D880,418 S 4/2020 Zhang et al.  
D884,617 S 5/2020 Matsuoka et al.  
D884,622 S \* 5/2020 Huang ..... D13/108  
D886,053 S \* 6/2020 Lee ..... D13/108  
D893,422 S \* 8/2020 Xiao ..... D13/108  
D896,174 S \* 9/2020 Li ..... D13/108  
D917,497 S \* 4/2021 Lee ..... D14/447

(Continued)

(\*\*) Term: **15 Years**

**FOREIGN PATENT DOCUMENTS**

(21) Appl. No.: **29/759,638**

CN 304004936 1/2017  
CN 207010275 U 2/2018

(22) Filed: **Nov. 24, 2020**

(Continued)

(51) **LOC (13) Cl.** ..... **13-02**

(52) **U.S. Cl.**  
USPC ..... **D13/108**

*Primary Examiner* — Rosemary K Tarcza  
(74) *Attorney, Agent, or Firm* — Paratus Law Group,  
PLLC

(58) **Field of Classification Search**  
USPC ..... D13/103, 107–110, 118–119, 184, 199;  
D14/251, 253, 432, 434  
CPC .. H02J 50/00; H02J 50/10; H02J 50/12; H02J  
50/80; H02J 7/025; H02J 7/005; H02J  
7/0026; H02J 7/0042; H02J 7/0044; H02J  
7/0045; H02J 7/0013; H02J 7/0003  
See application file for complete search history.

(57) **CLAIM**

The ornamental design for a stand for electronic device, as shown and described.

**DESCRIPTION**

(56) **References Cited**

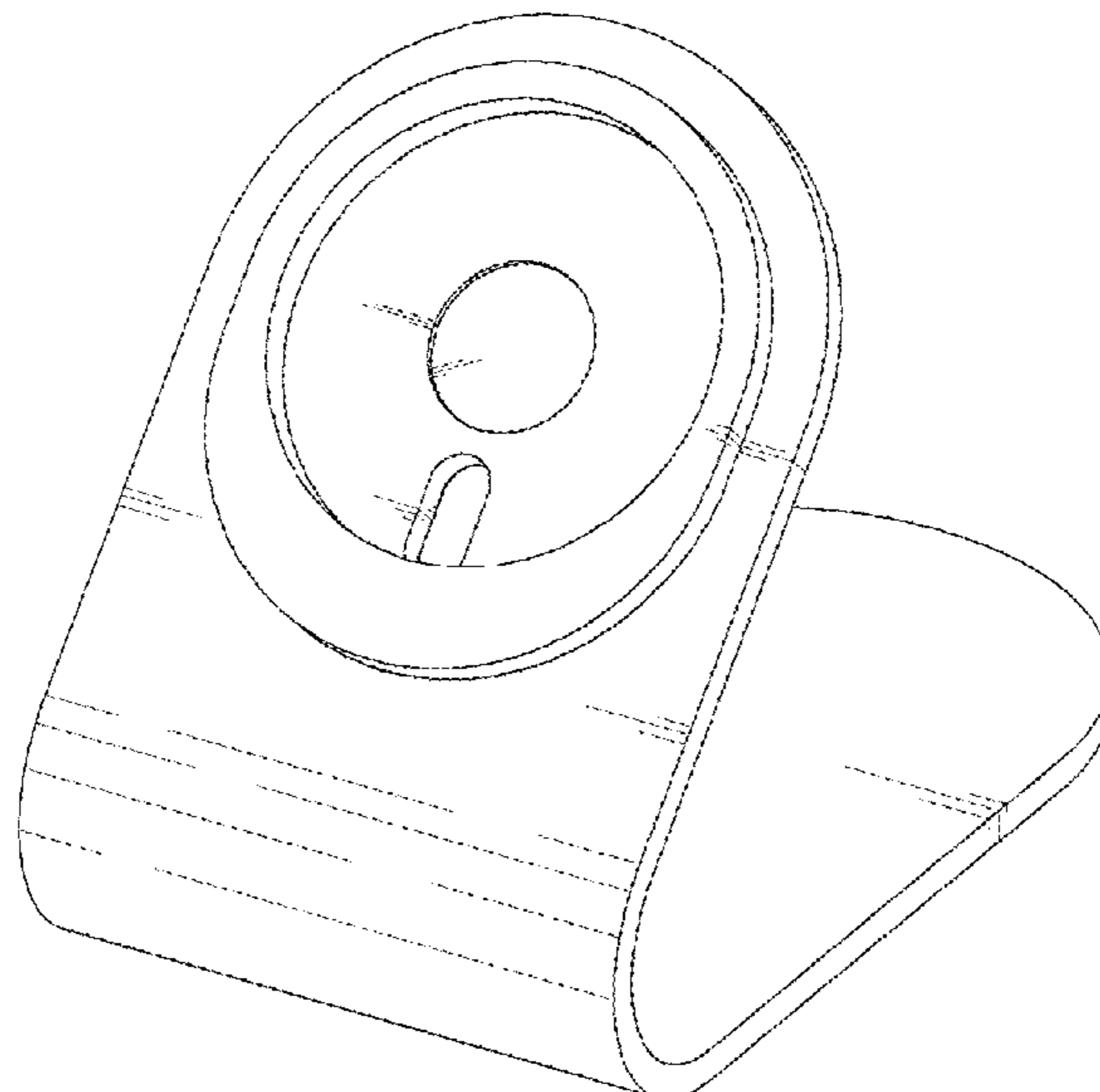
**U.S. PATENT DOCUMENTS**

D655,293 S 3/2012 Gioscia et al.  
D682,200 S 5/2013 Rautiainen  
D692,010 S 10/2013 Verghese  
D762,650 S \* 8/2016 Dang ..... D14/434  
D788,699 S \* 6/2017 Hoehn ..... D13/107  
D799,494 S \* 10/2017 Lee ..... D14/447  
D804,483 S \* 12/2017 Minoli ..... D14/434  
D811,414 S \* 2/2018 Lee ..... D14/447  
D812,564 S 3/2018 Feng  
D816,027 S \* 4/2018 Chen ..... D13/108  
D841,578 S 2/2019 Kim et al.  
D842,305 S 3/2019 Gao  
D845,896 S 4/2019 Hu

FIG. 1 is a front, top, and right sides perspective view of a stand for electronic device, showing my new design;  
FIG. 2 is a front view thereof;  
FIG. 3 is a back view thereof;  
FIG. 4 is a left side view thereof;  
FIG. 5 is a right side view thereof;  
FIG. 6 is a top view thereof;  
FIG. 7 is a bottom view thereof; and,  
FIG. 8 is a back, bottom, and right sides perspective view thereof.

The broken lines shown in FIGS. 3, 7, and 8 depict parts of the stand for electronic device, which form no part of the claimed design.

**1 Claim, 5 Drawing Sheets**



(56)

**References Cited**

U.S. PATENT DOCUMENTS

D920,238 S \* 5/2021 Xiao ..... D13/108  
D920,240 S \* 5/2021 Xiao ..... D13/108

FOREIGN PATENT DOCUMENTS

CN	304805998	9/2018
CN	305835583	6/2020
CN	305938446	7/2020
CN	305996339	8/2020
CN	306155250	11/2020
CN	306161579	11/2020
CN	306161580	11/2020

\* cited by examiner

FIG. 1

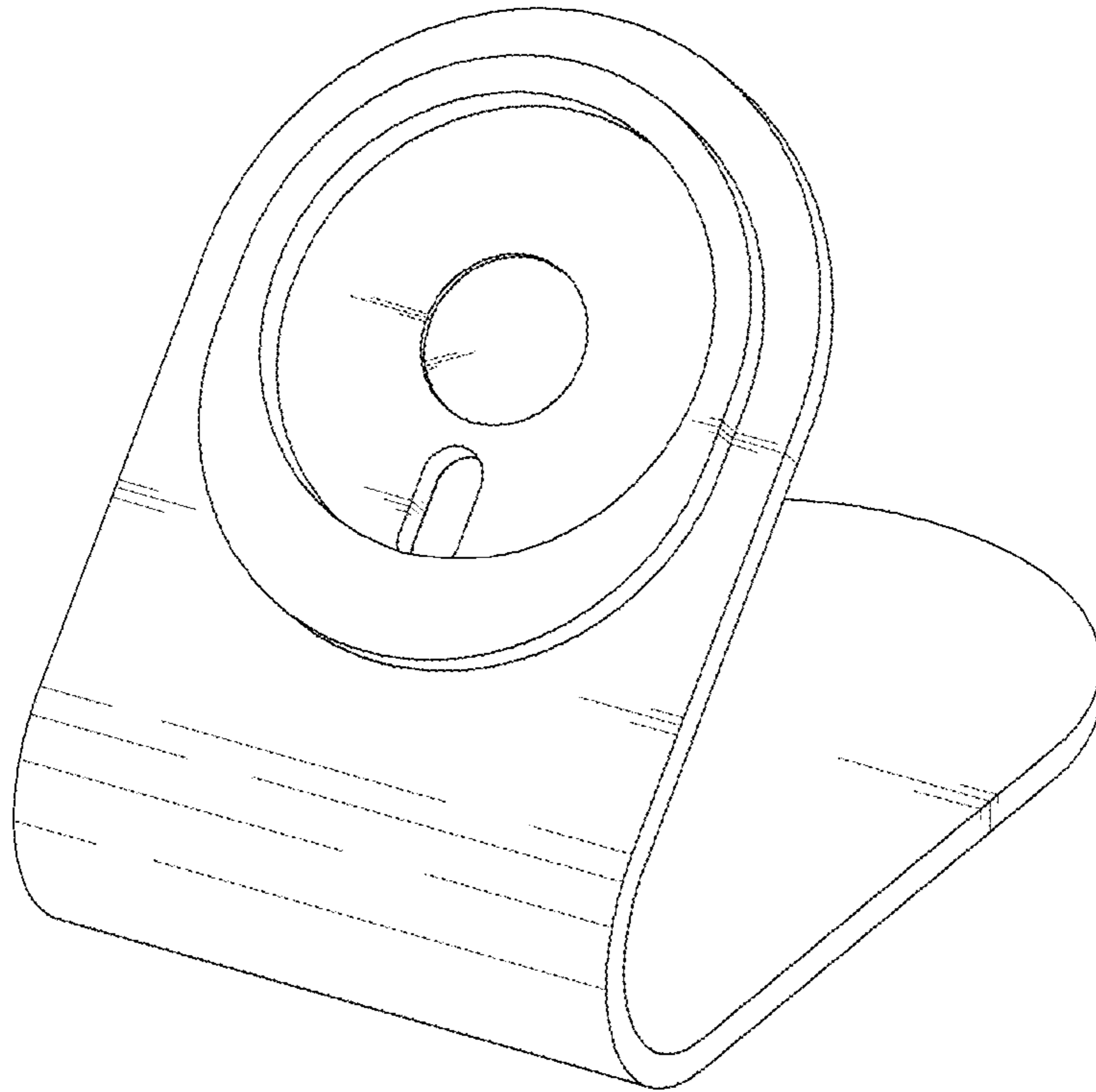


FIG. 2

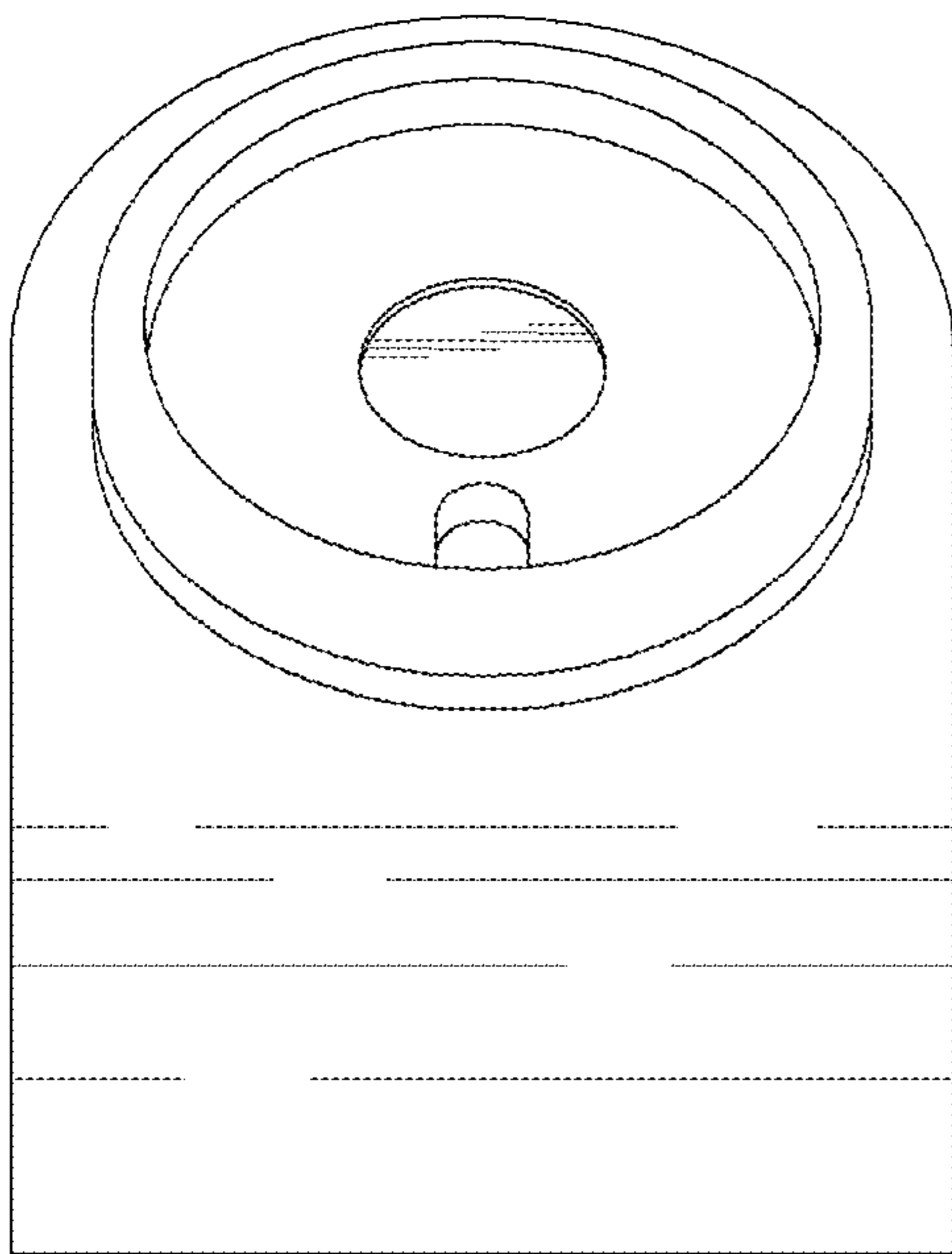


FIG. 3

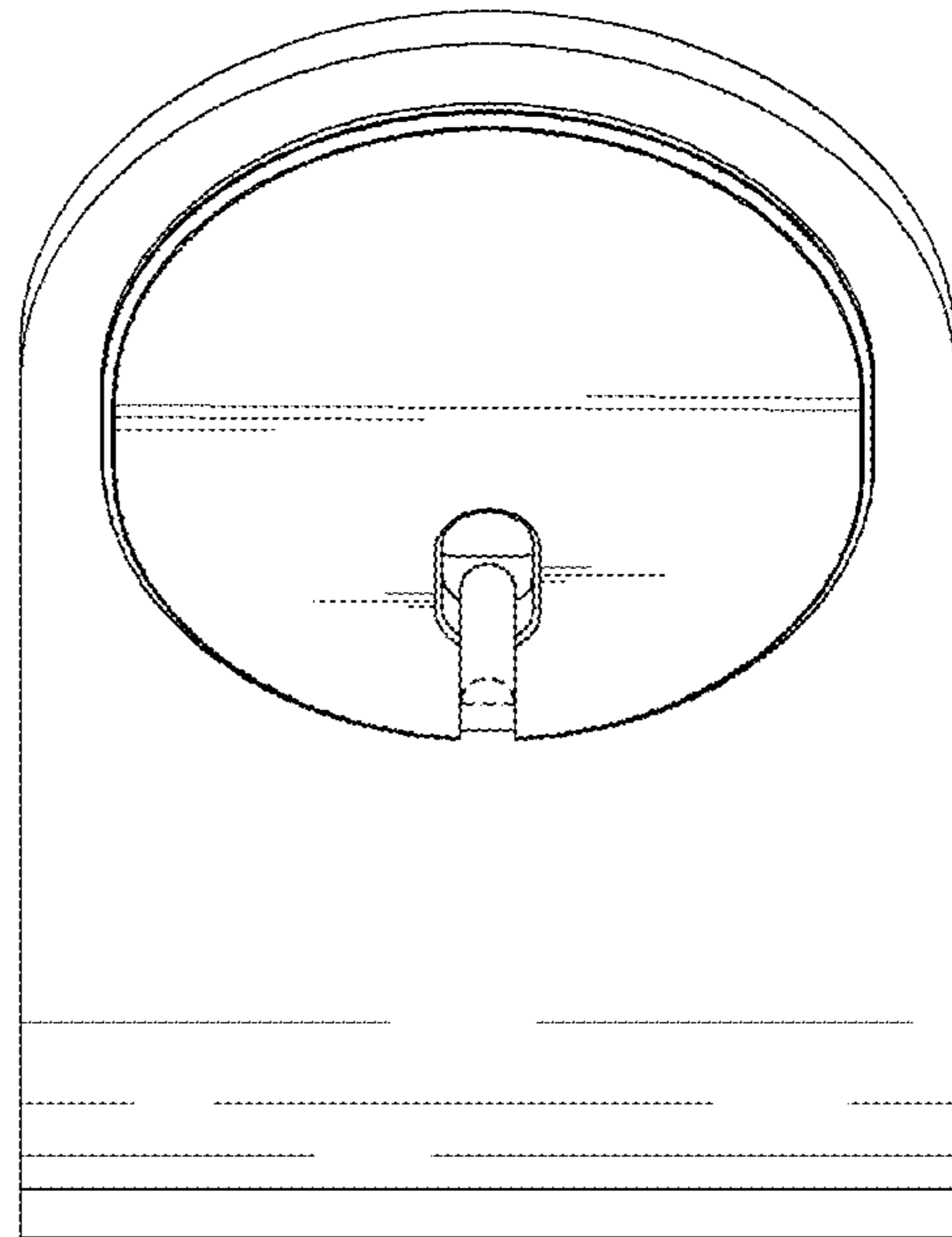


FIG. 4

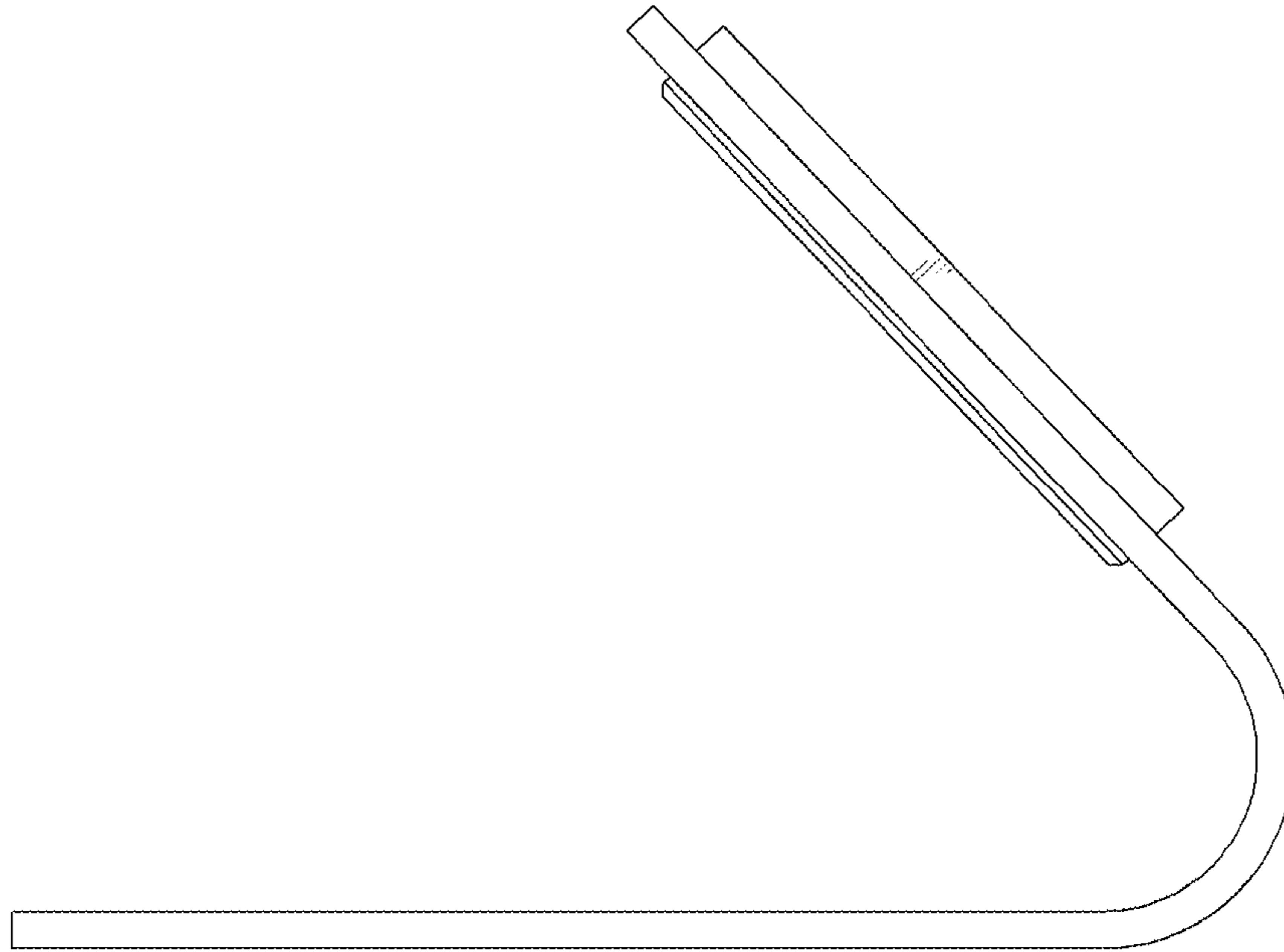


FIG. 5

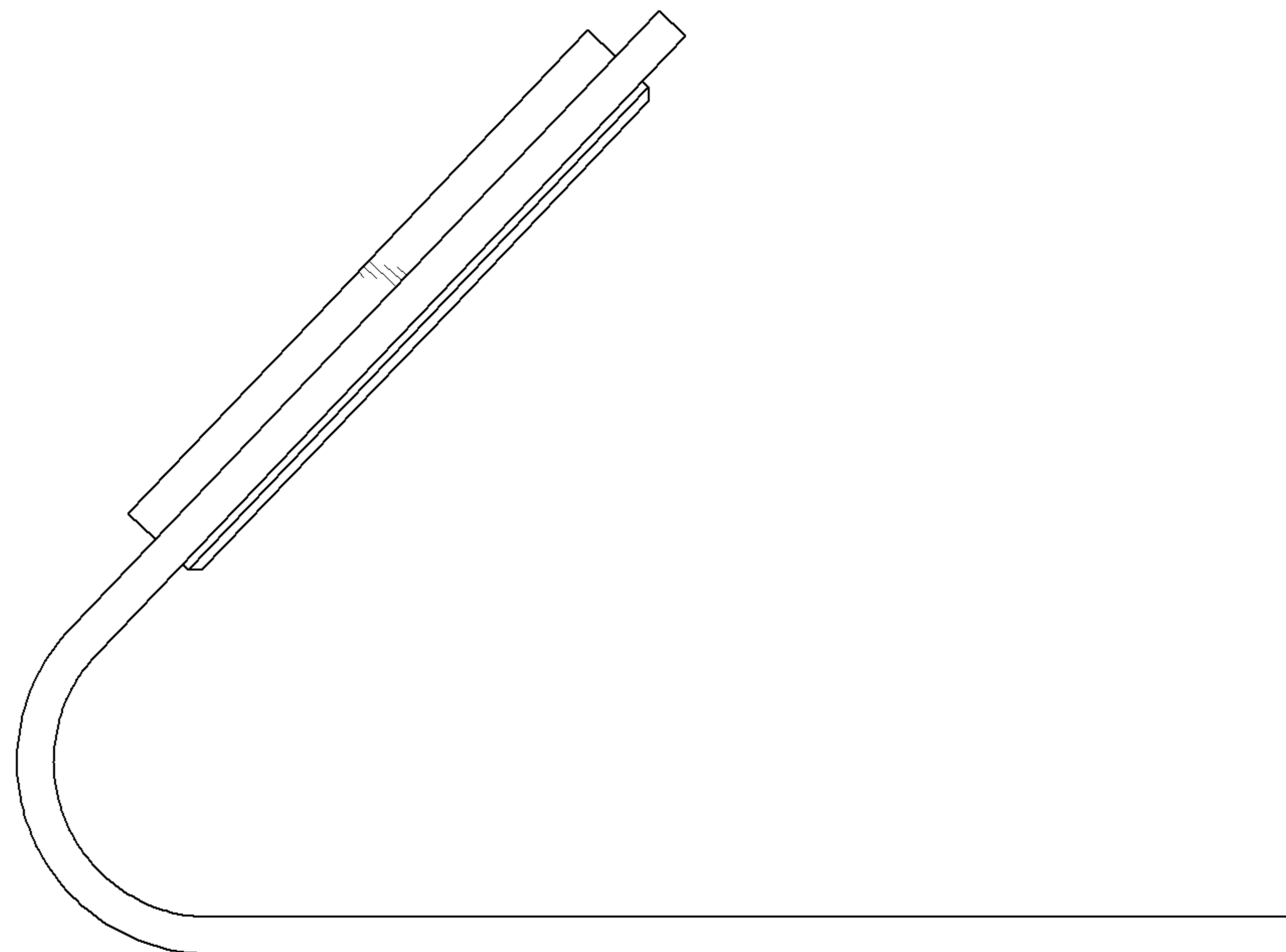


FIG. 6

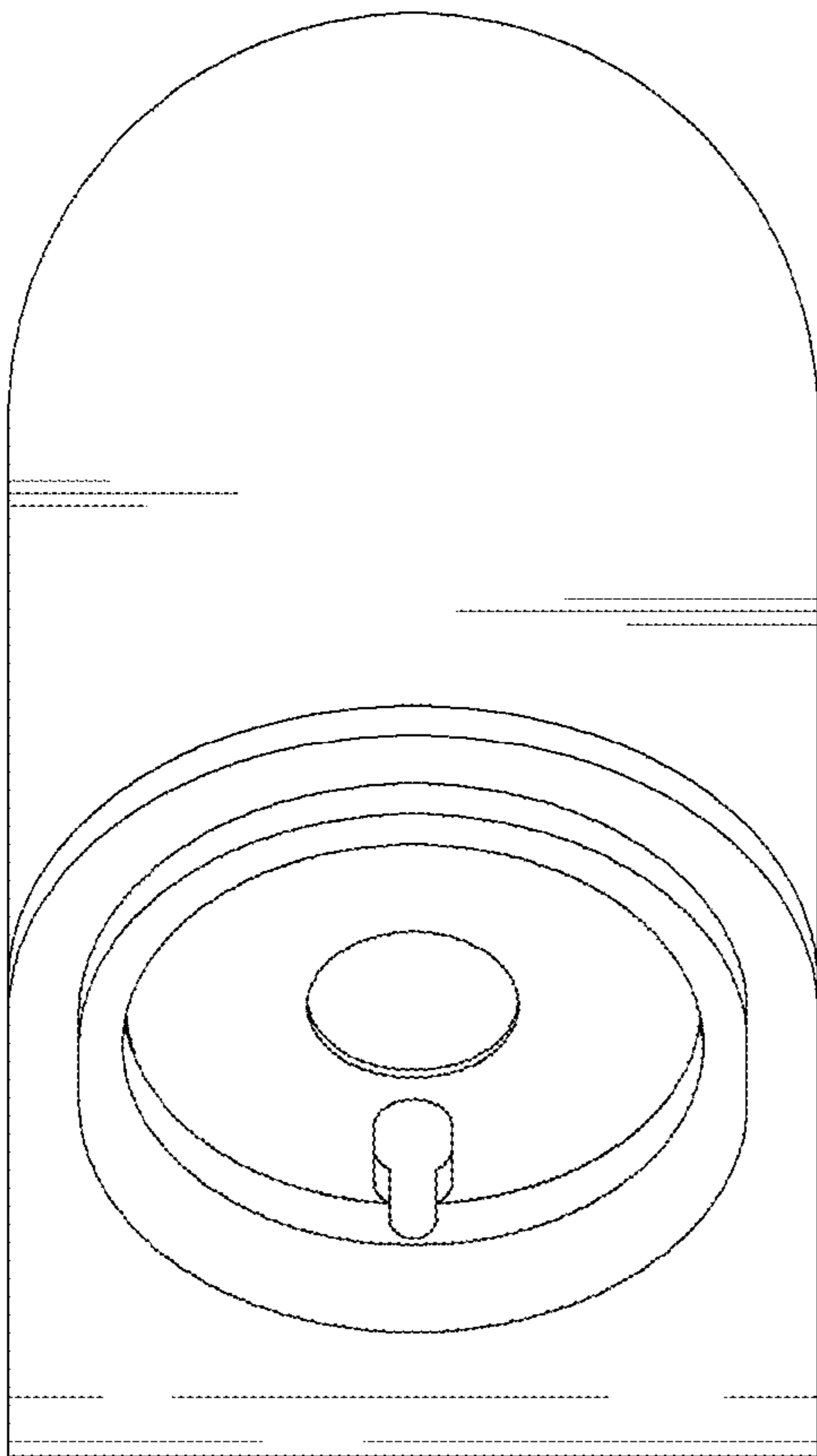


FIG. 7

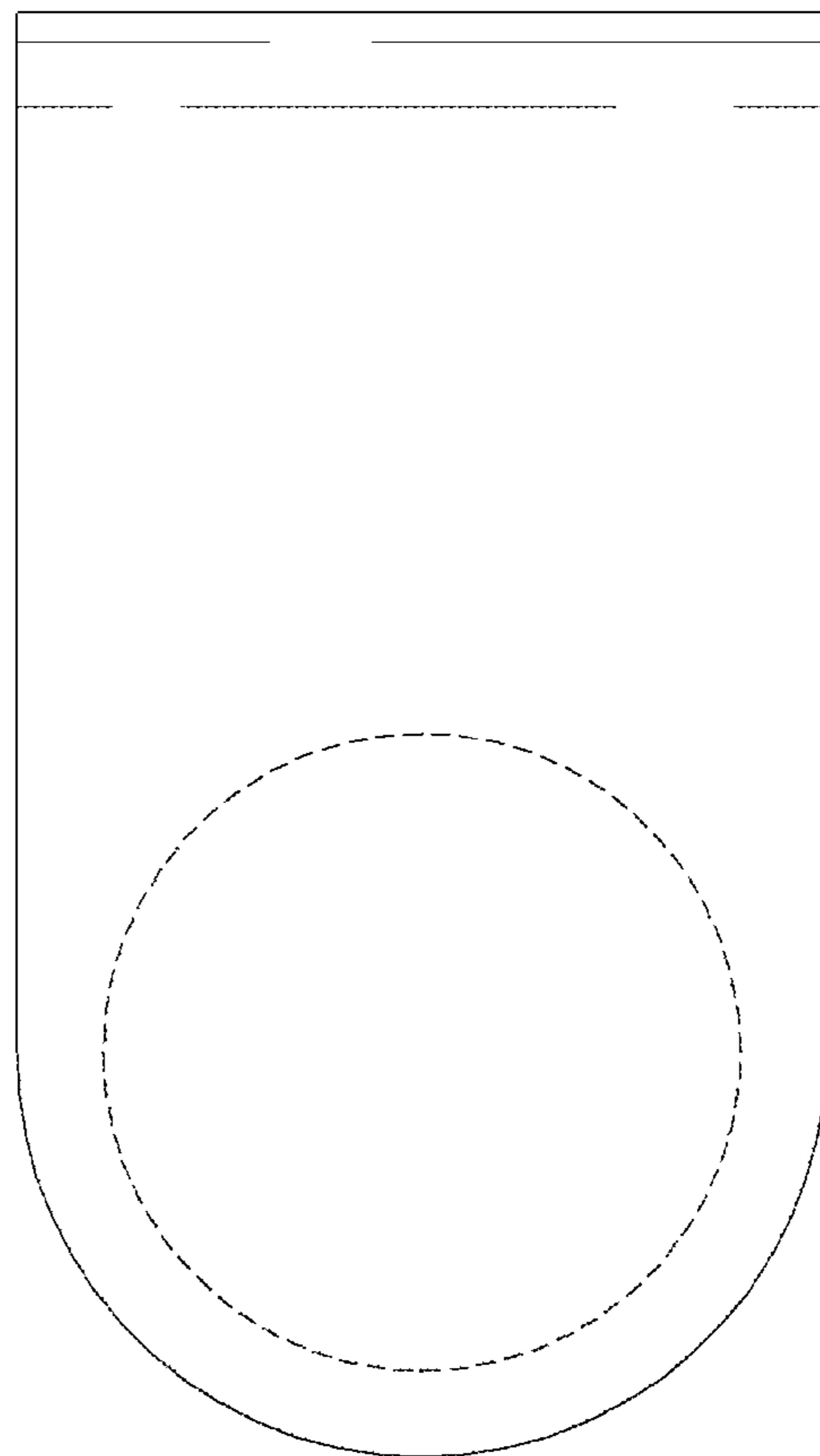


FIG. 8

