



US00D930580S

(12) **United States Design Patent** (10) **Patent No.:** **US D930,580 S**
Sexton et al. (45) **Date of Patent:** **** Sep. 14, 2021**

(54) **BATTERY CHARGER**

(71) Applicant: **TTi (Macao Commercial Offshore) Limited**, Macau (MO)

(72) Inventors: **Joseph Sexton**, Charlotte, NC (US); **Somnanritha Chan**, Charlotte, NC (US); **Benjamin Shrader**, Newton, NC (US); **Bradley Hooley**, Charlotte, NC (US)

(73) Assignee: **Techtronic Floor Care Technology Limited**, Tortola (VG)

(**) Term: **15 Years**

(21) Appl. No.: **29/670,225**

(22) Filed: **Nov. 14, 2018**

(30) **Foreign Application Priority Data**

May 21, 2018 (CN) 201830236048.1

(51) **LOC (13) Cl.** **13-02**

(52) **U.S. Cl.**
USPC **D13/108**

(58) **Field of Classification Search**

USPC D13/102, 103, 107, 108, 110, 112, 113, D13/118, 119, 184, 199
CPC Y02T 10/7005; Y02T 10/705; Y02T 10/7088; H02J 7/025; H02J 7/0042; H02J 7/0044; H02J 7/0045; H02J 7/0003; H01F 38/14; H01M 2/02; H01M 2/022; H01M 2/0202; H01M 2/0207; H01M 2/0212; H01M 2/1061; H01M 2/1022; H01M 2/1055; H01M 2/1066; H01M 2/105; H01M 2/204; Y02E 60/12; Y02E 60/122; Y02E 60/124; Y02E 60/50

See application file for complete search history.

(56) **References Cited**

U.S. PATENT DOCUMENTS

D322,061 S *	12/1991	Watanabe	D13/108
D460,411 S *	7/2002	Wang	D13/103
D507,526 S *	7/2005	Ohta	D13/108
D817,872 S *	5/2018	Oguchi	D13/107
D835,079 S *	12/2018	Yun	D14/224
D835,611 S *	12/2018	Yun	D14/224
D881,022 S *	4/2020	Long	D10/2
D889,410 S *	7/2020	Birkholz	D13/119
D897,947 S *	10/2020	Gong	D13/107

(Continued)

OTHER PUBLICATIONS

Amazon.com: Hoover ONEPWR Lithium Ion Battery Charger . . . Customer review date of Nov. 6, 2019. Retrieved from the internet at <<https://www.amazon.com/Hoover-ONEPWR-Lithium-Battery-Charger/dp/B07QM9PNCB/>>, Feb. 5, 2021. (Year: 2019).*

Primary Examiner — Christy Nemeth

(74) *Attorney, Agent, or Firm* — Michael Best & Friedrich LLP

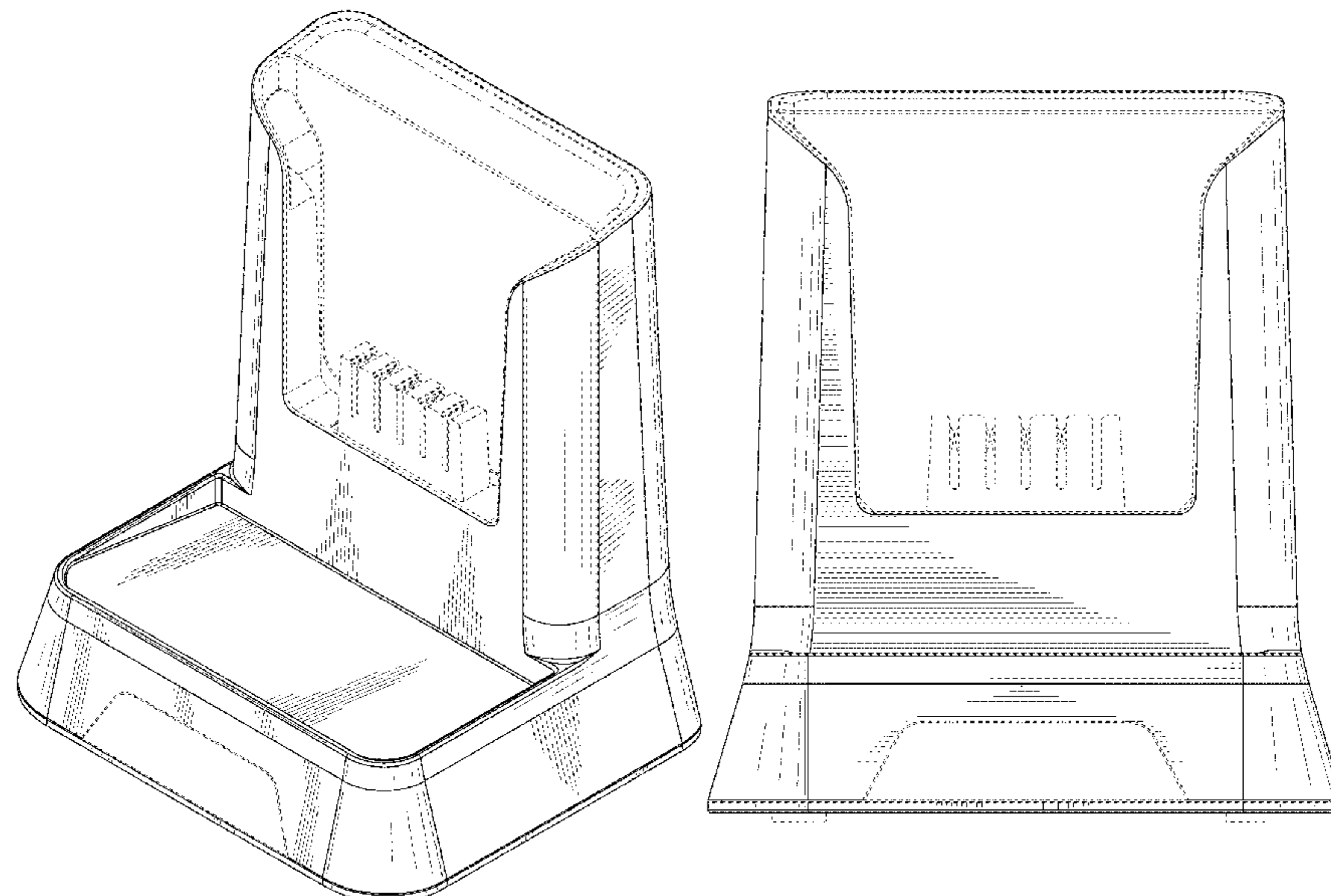
(57) **CLAIM**

We claim the ornamental design for a battery charger, as shown.

DESCRIPTION

FIG. 1 is a perspective view of a battery charger. FIG. 2 is a front side view of the battery charger of FIG. 1. FIG. 3 is a back side view of the battery charger of FIG. 1. FIG. 4 is a right side view of the battery charger of FIG. 1. FIG. 5 is a left side view of the battery charger of FIG. 1. FIG. 6 is top view of the battery charger of FIG. 1; and, FIG. 7 is a bottom view of the battery charger of FIG. 1. The broken lines in the drawings are for the purpose of illustrating portions of the article that form no part of the claimed design.

1 Claim, 7 Drawing Sheets



(56)

References Cited

U.S. PATENT DOCUMENTS

D908,083 S * 1/2021 Kuang D13/107
2014/0084865 A1* 3/2014 Yeh H02J 7/0044
320/110
2019/0334358 A1* 10/2019 Fountain H01M 50/209
2020/0266660 A1* 8/2020 Morrow H02J 7/342

* cited by examiner

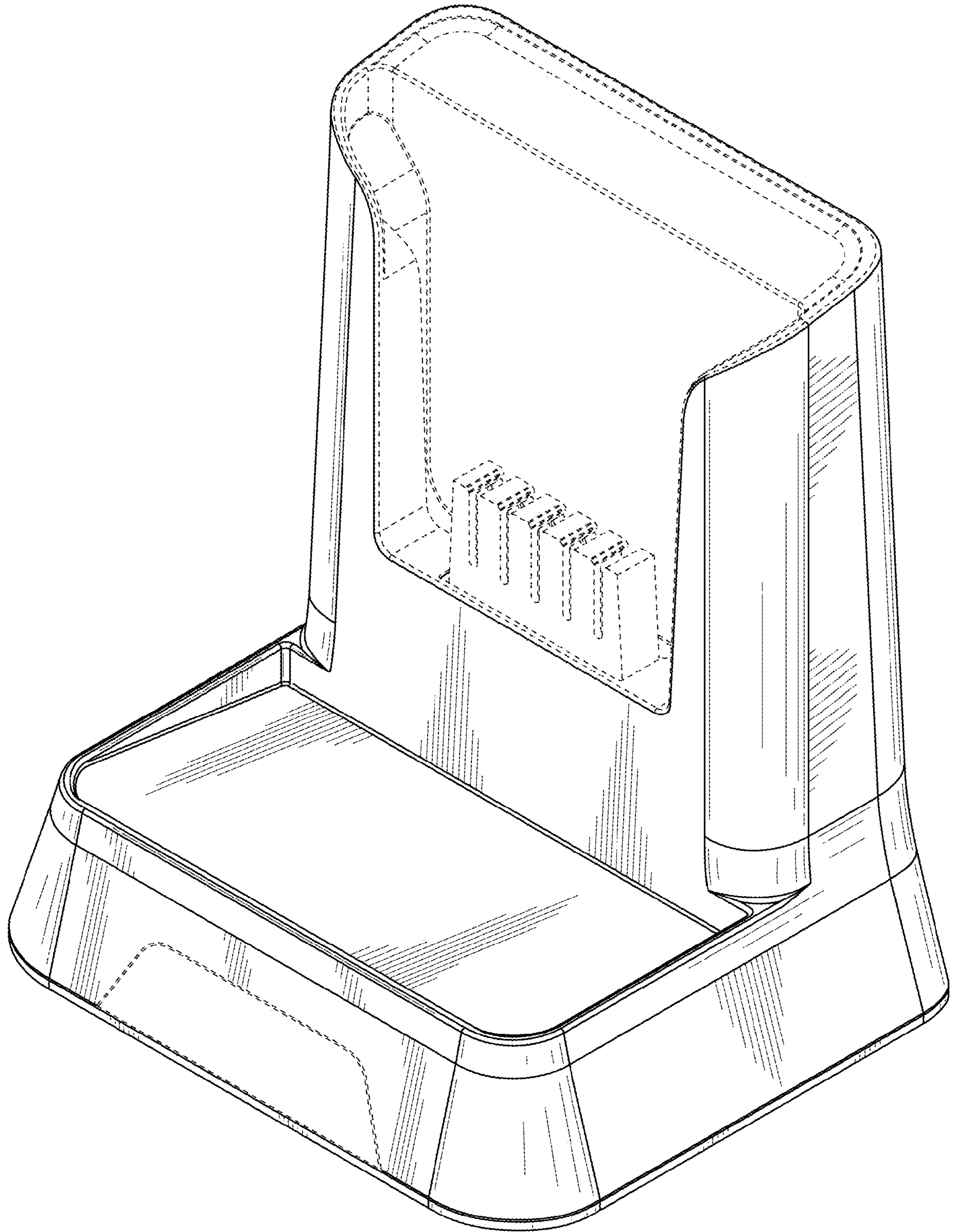


FIG. 1

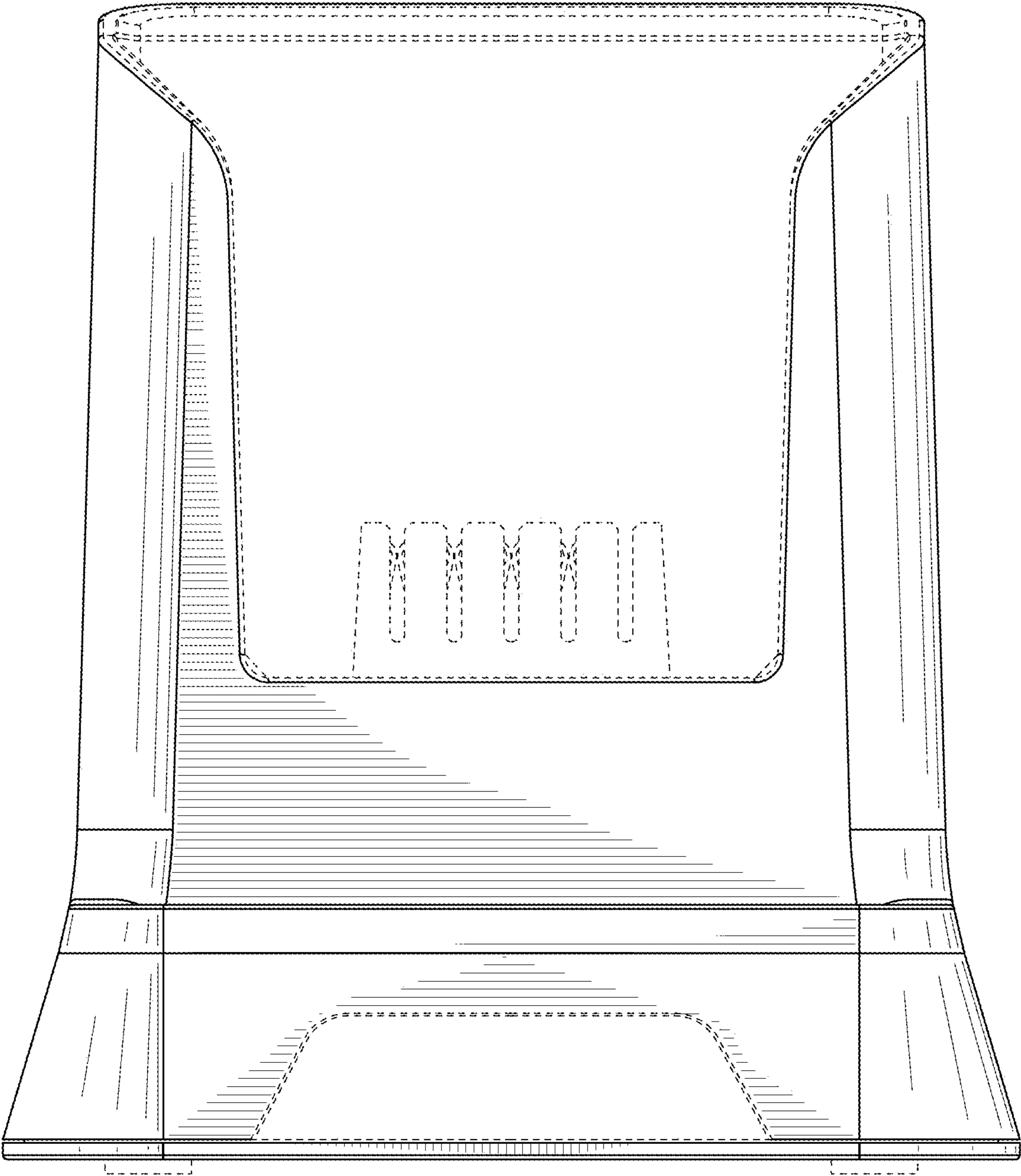


FIG. 2

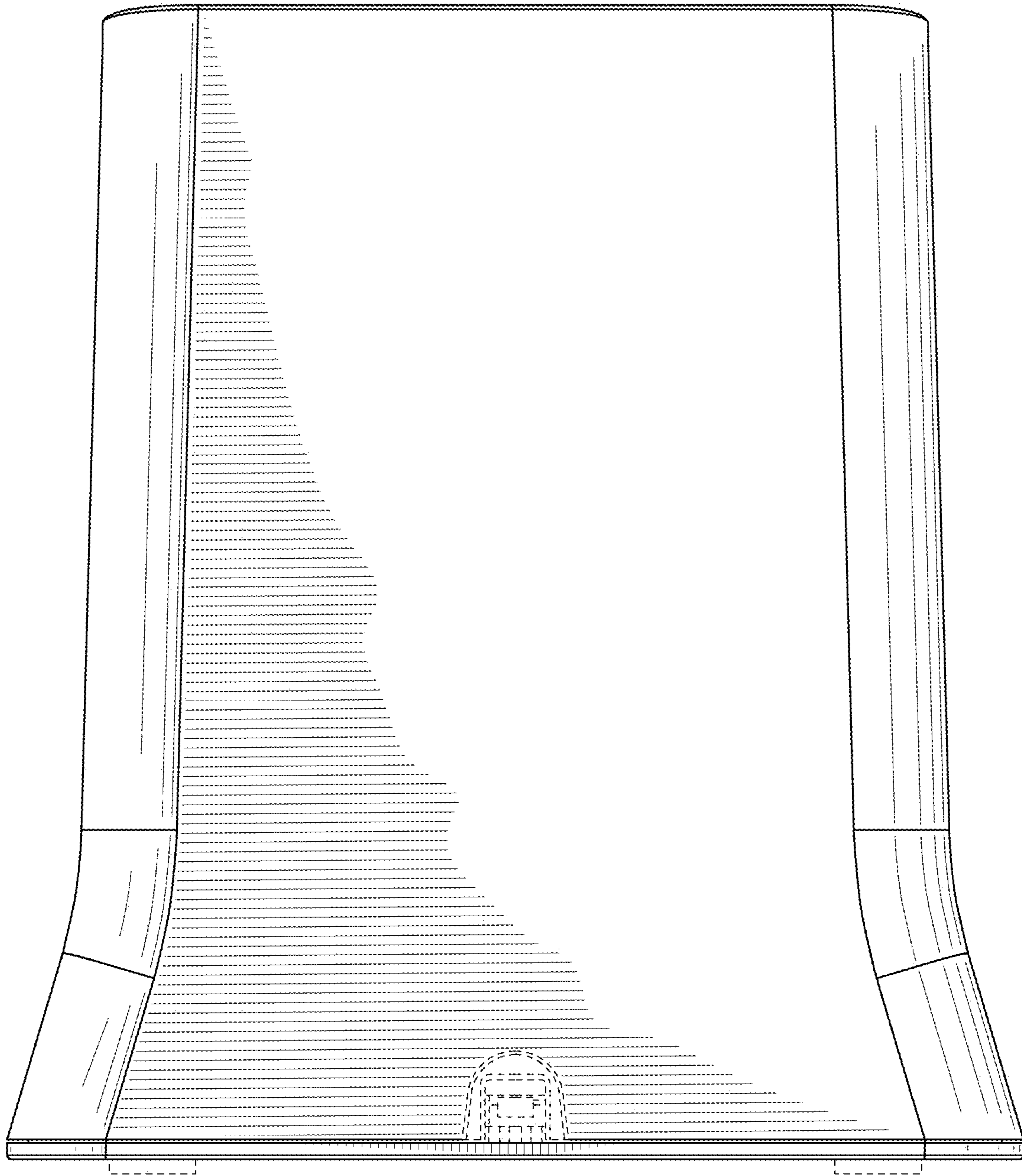


FIG. 3

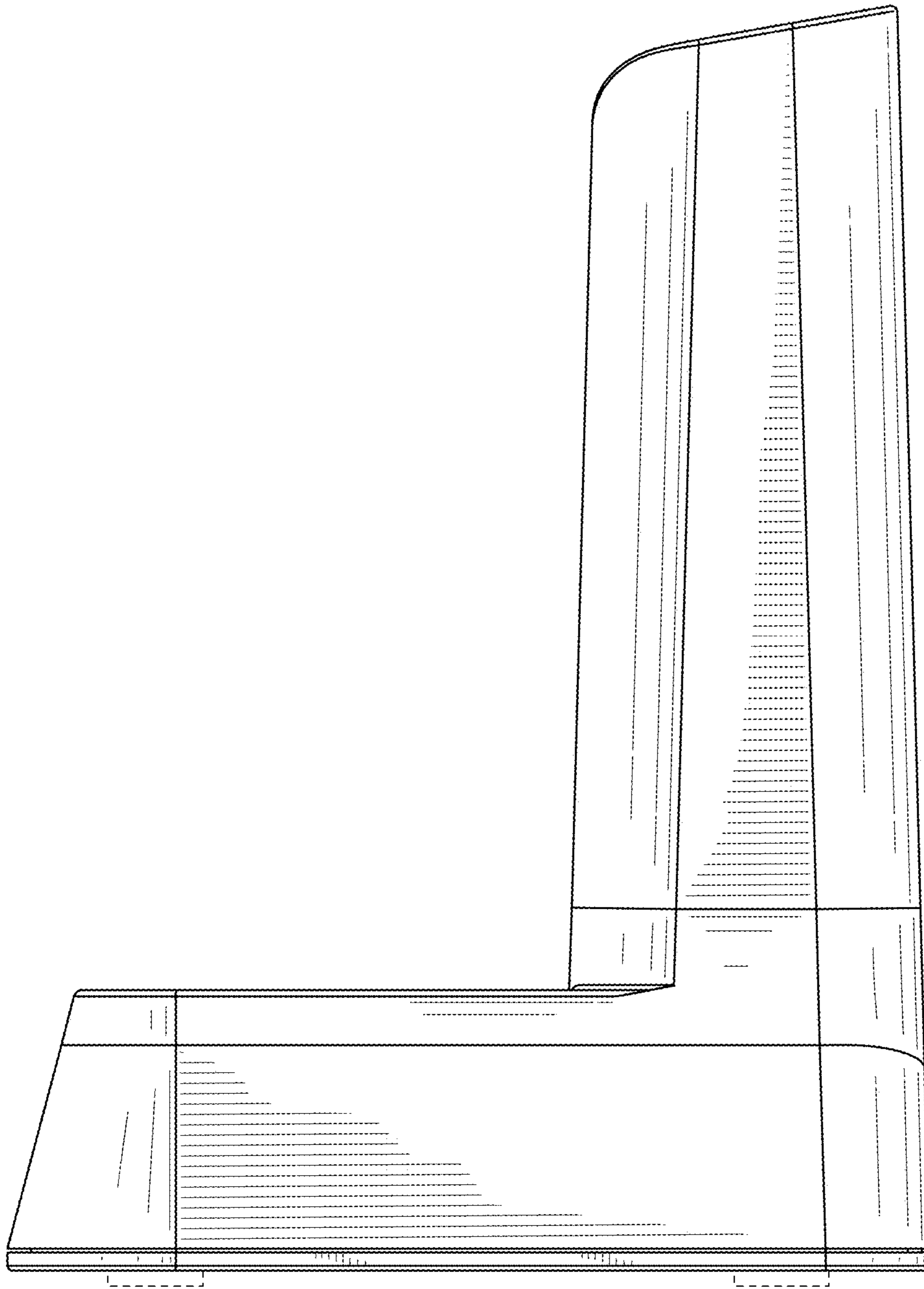


FIG. 4

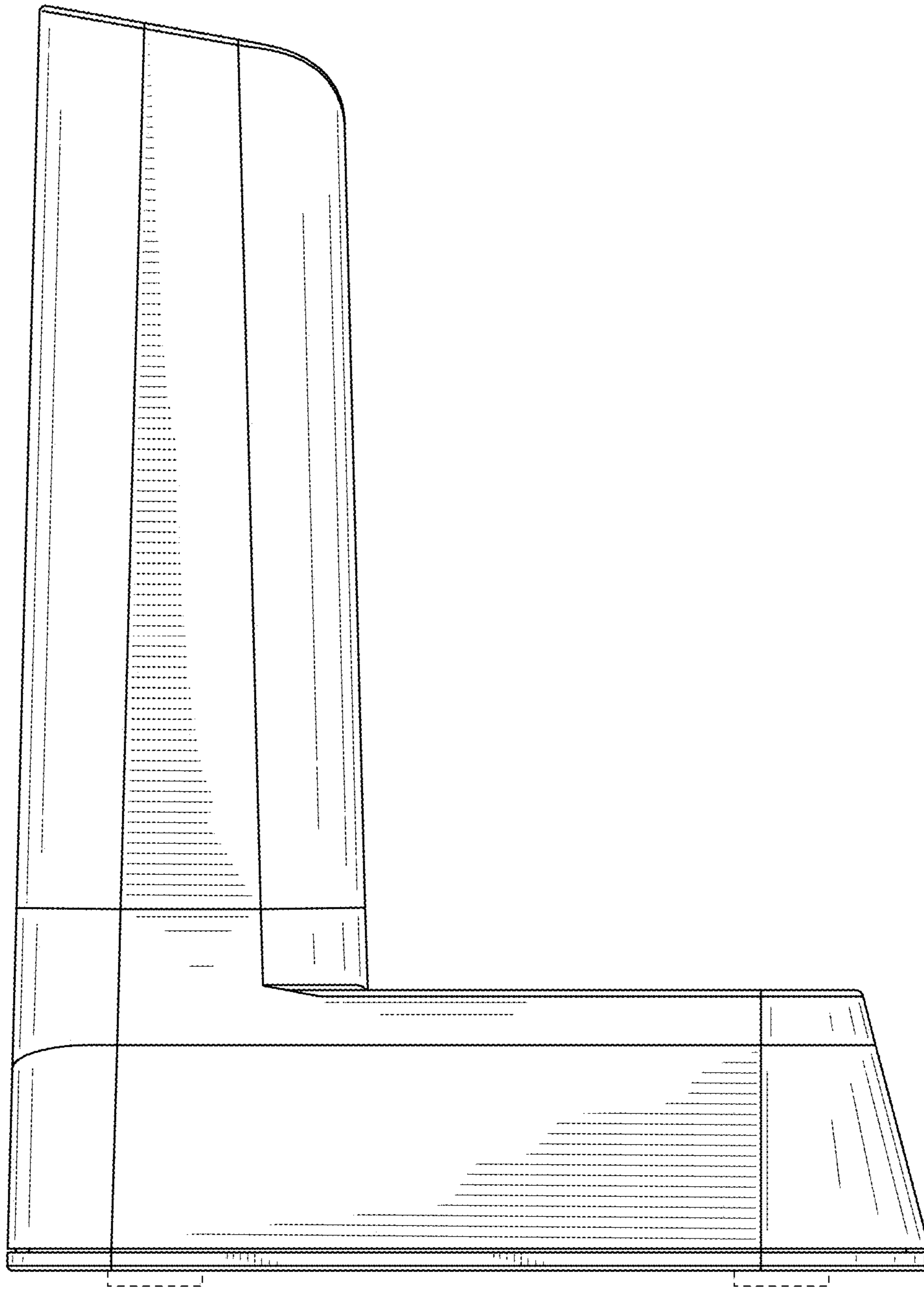


FIG. 5

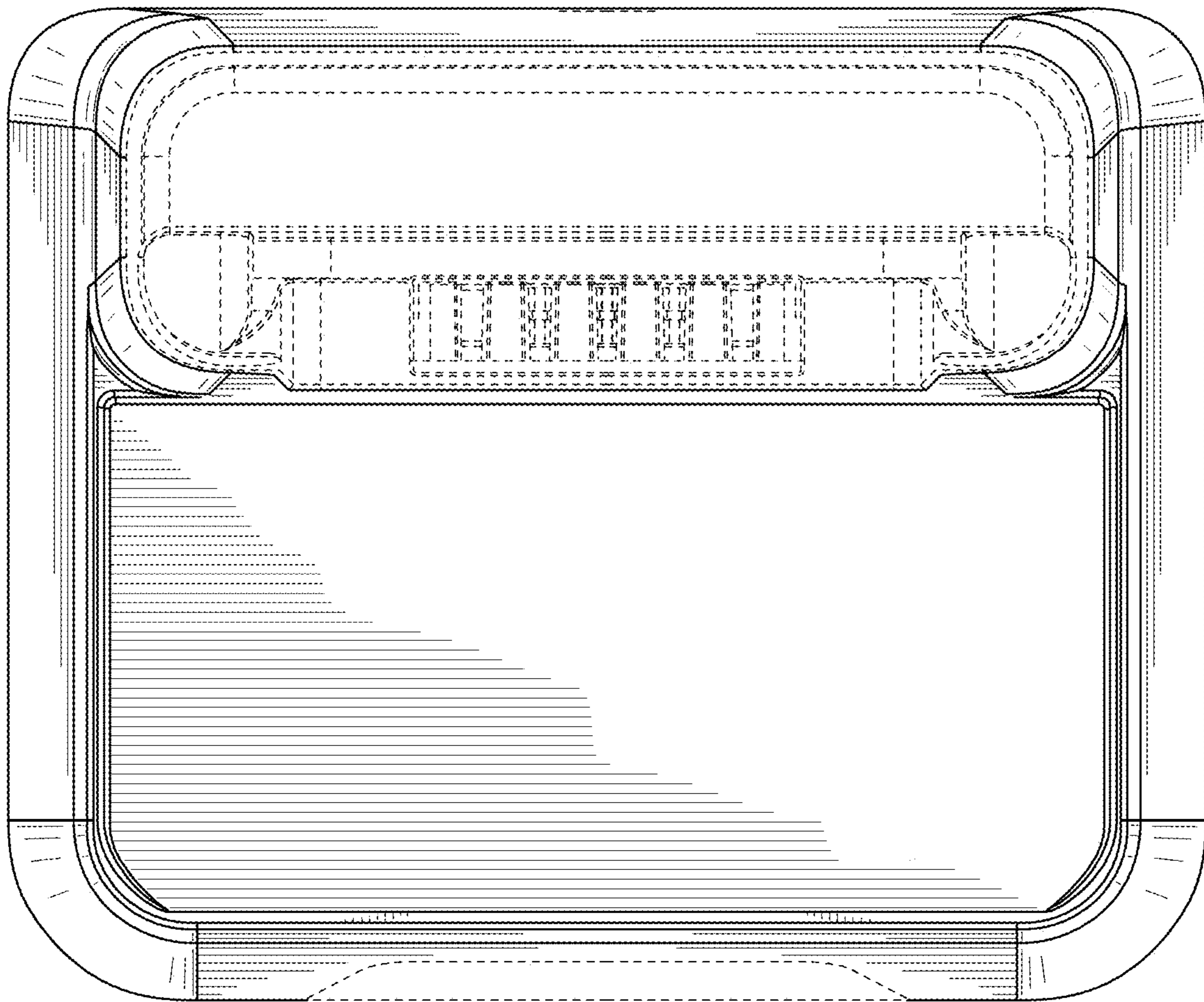


FIG. 6

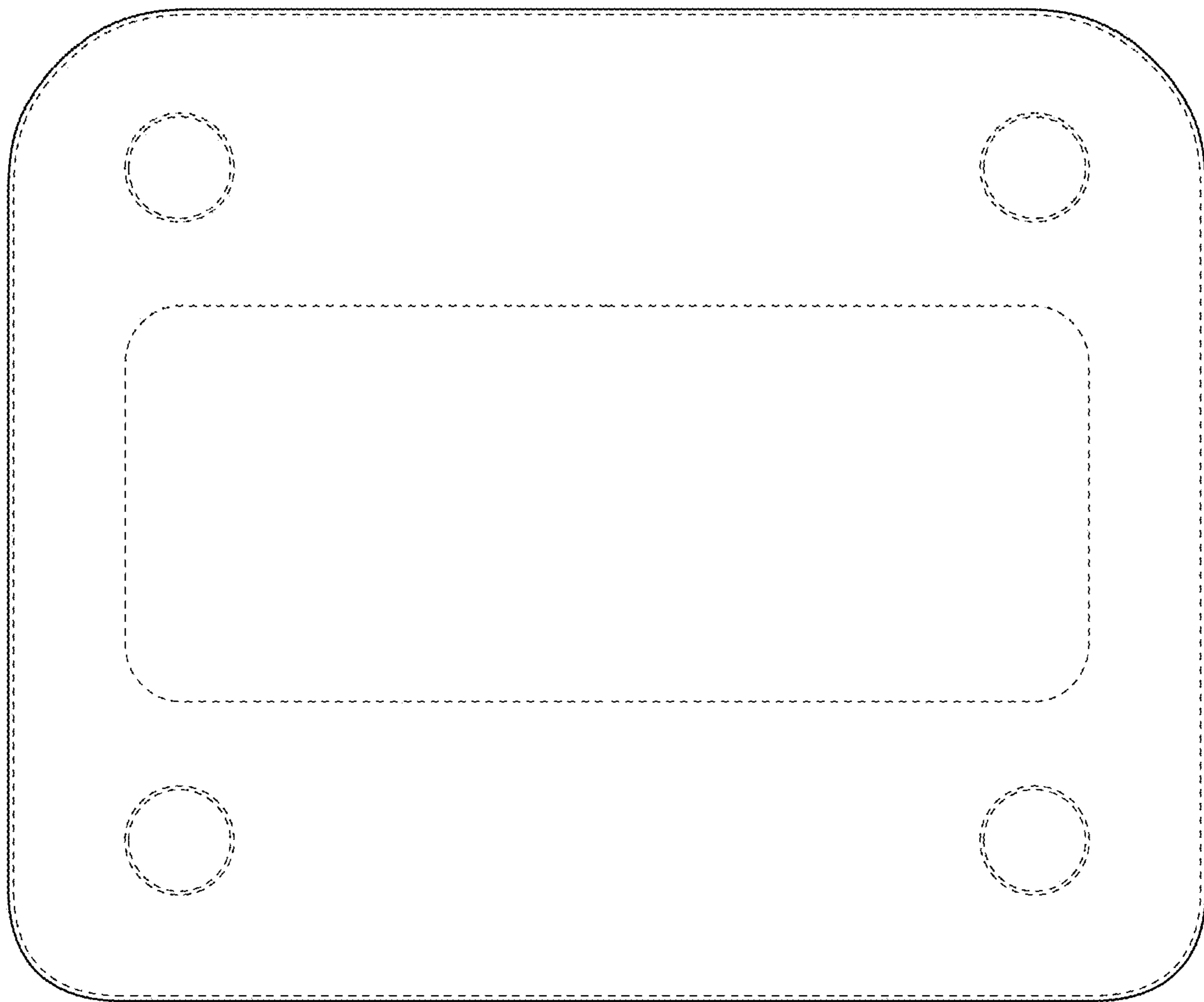


FIG. 7