



US00D930579S

(12) **United States Design Patent** (10) **Patent No.:** **US D930,579 S**
Zhong (45) **Date of Patent:** **** Sep. 14, 2021**

(54) **CHARGER**

(71) Applicant: **Guang Zhou Yun Zhong Cai Technology Co., Ltd.**, Guang Zhou (CN)
(72) Inventor: **Cai-Hong Zhong**, Guang Zhou (CN)
(73) Assignee: **GUANG ZHOU YUN ZHONG CAI TECHNOLOGY CO., LTD.**, Guang Zhou (CN)

(**) Term: **15 Years**

(21) Appl. No.: **29/658,933**

(22) Filed: **Aug. 3, 2018**

(51) **LOC (13) Cl.** **13-02**

(52) **U.S. Cl.**
USPC **D13/108**

(58) **Field of Classification Search**
USPC D13/103, 110, 118–119, 184, 199,
D13/107–108; D14/251, 253, 432, 434
CPC H02J 7/025; H02J 7/005; H02J 7/0026;
H02J 7/0042; H02J 7/0044; H02J 7/0045;
H02J 7/0013; H02J 7/0003; H02J 7/007;
H02J 7/0027

See application file for complete search history.

(56) **References Cited**

U.S. PATENT DOCUMENTS

D611,415 S *	3/2010	Andre	D13/138.1
D620,889 S *	8/2010	Smith	D13/138.2
D623,136 S *	9/2010	Andre	D13/138.1
D627,728 S *	11/2010	Smith	D13/138.1
D627,729 S *	11/2010	Smith	D13/138.1
D653,208 S *	1/2012	Au	D13/108
D653,615 S *	2/2012	Au	D13/108

D655,243 S *	3/2012	Au	D13/108
D655,244 S *	3/2012	Au	D13/108
D683,314 S *	5/2013	Andre	D13/138.1
D693,764 S *	11/2013	Hok Man	D13/108
D773,392 S *	12/2016	Paschke	D13/108
D798,233 S *	9/2017	Huang	D13/108
D804,412 S *	12/2017	Huang	D13/108
D834,516 S *	11/2018	Jin	D13/108
D841,582 S *	2/2019	Tian	D13/108
D875,040 S *	2/2020	Stern	D13/108
D879,711 S *	3/2020	Ruiwu	D13/108
D885,335 S *	5/2020	Deng	D13/108
D885,336 S *	5/2020	Deng	D13/108
D892,736 S *	8/2020	Jin	D13/108
D900,738 S *	11/2020	Liu	D13/108
D911,948 S *	3/2021	Jin	D13/108

* cited by examiner

Primary Examiner — Rosemary K Tarcza

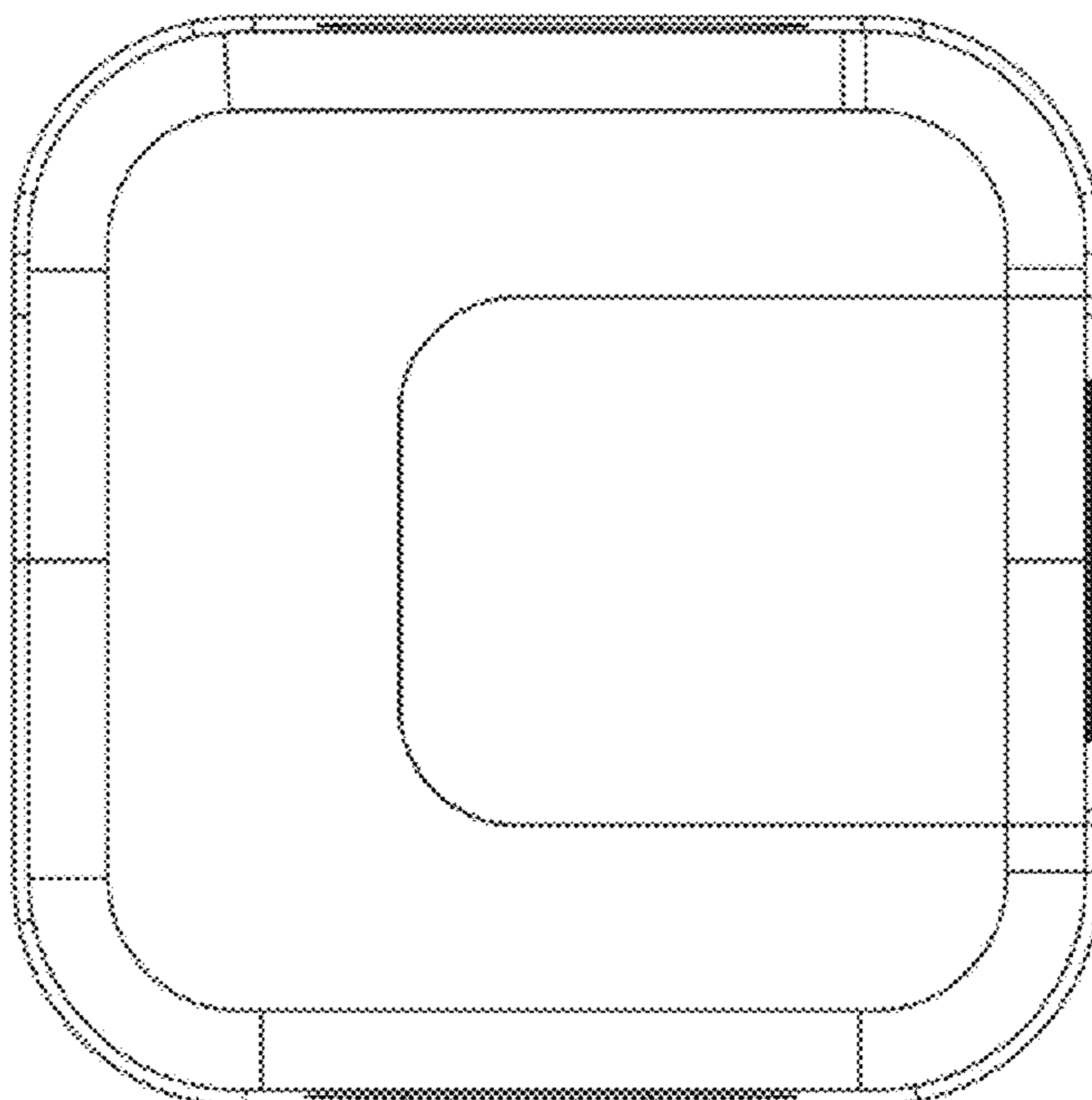
(57) **CLAIM**

The ornamental design for a charger, as shown and described.

DESCRIPTION

FIG. 1 is a front view of the charger, showing my new design.
FIG. 2 is a rear view of the charger, showing my new design.
FIG. 3 is a right-side view of the charger, showing my new design.
FIG. 4 is a left-side view of the charger, showing my new design.
FIG. 5 is a top view of the charger, showing my new design.
FIG. 6 is a bottom view of the charger, showing my new design; and,
FIG. 7 is a stereoscopic view of the charger, showing my new design.

1 Claim, 7 Drawing Sheets



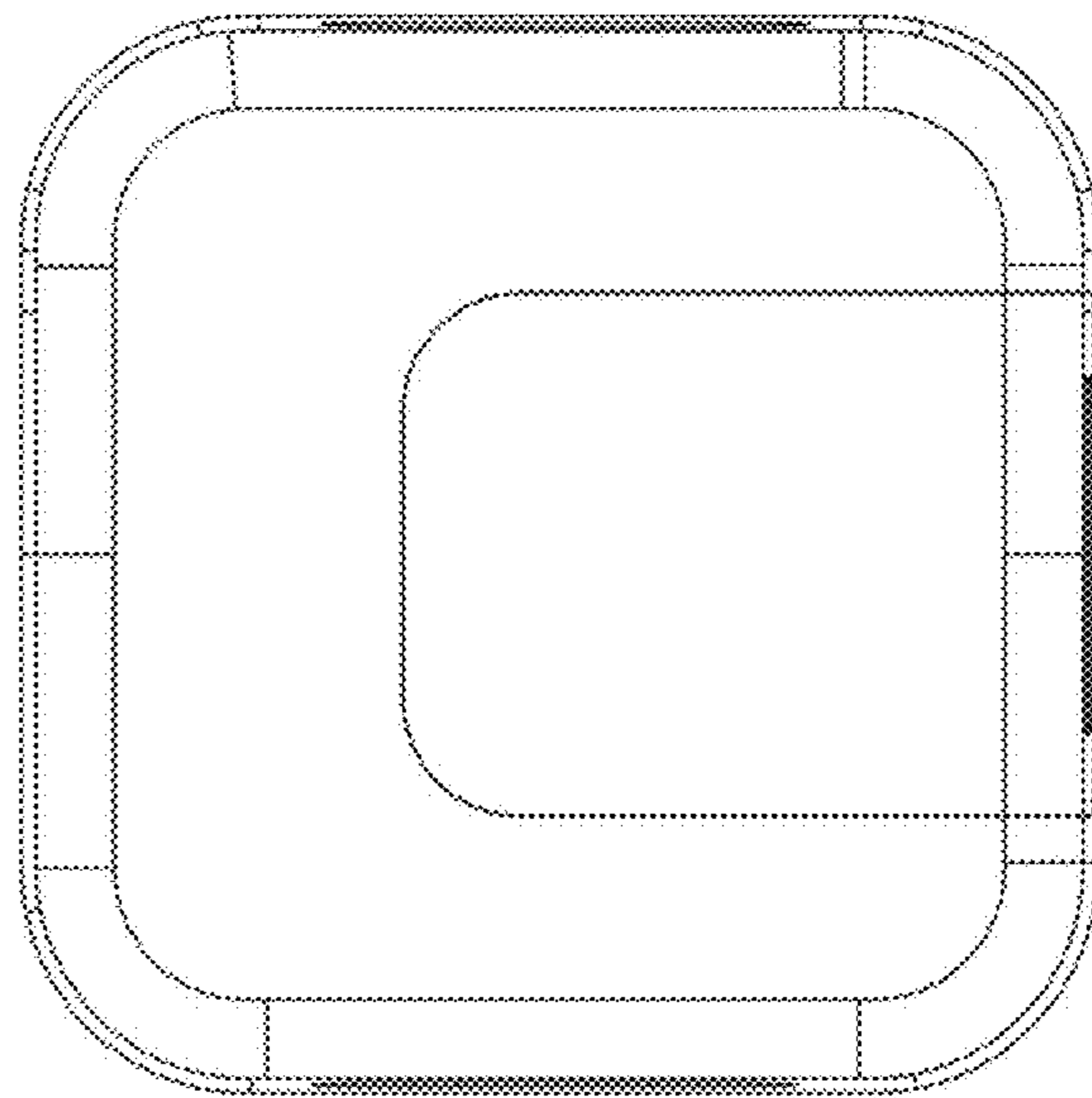


FIG. 1

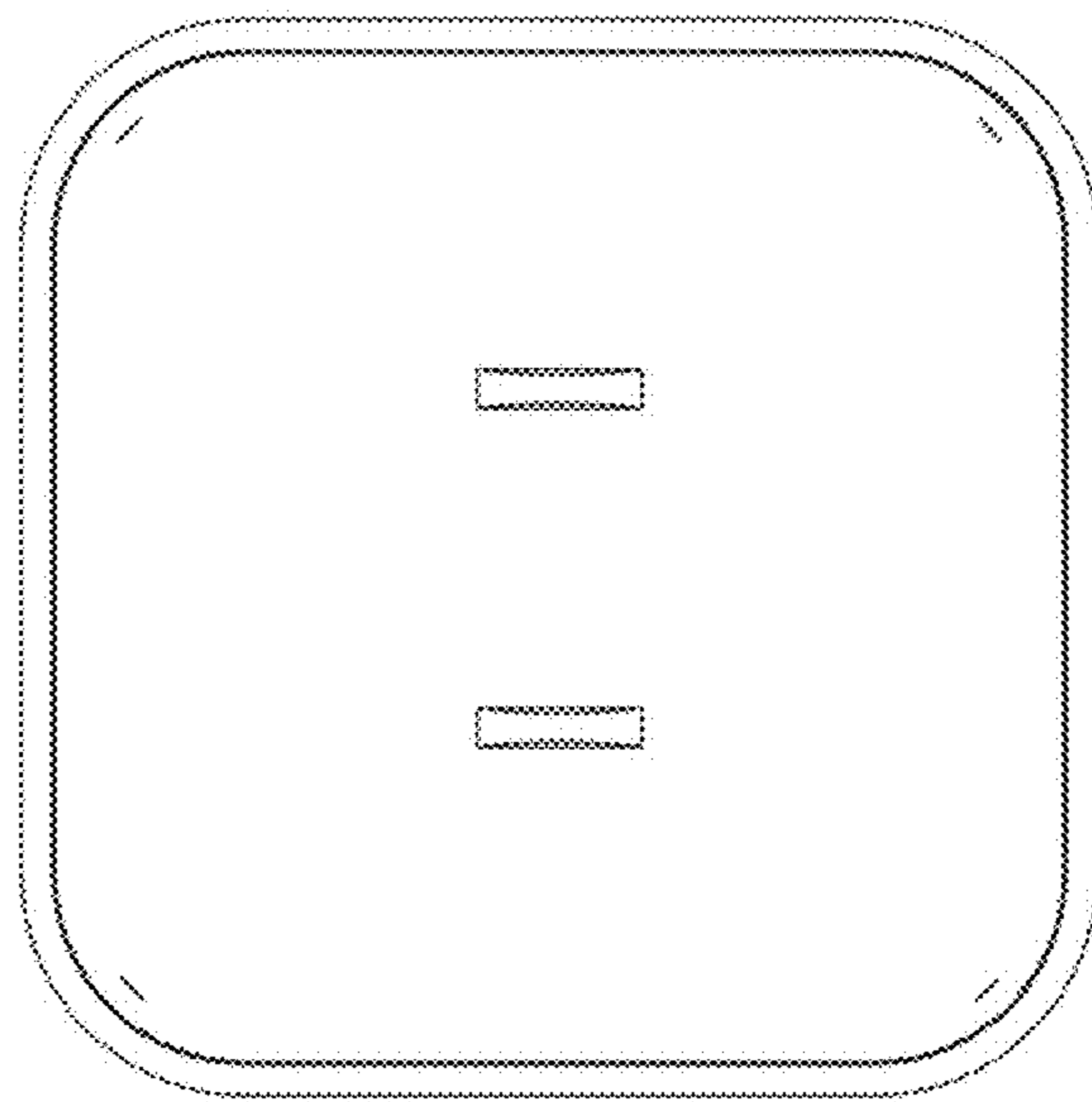


FIG.2

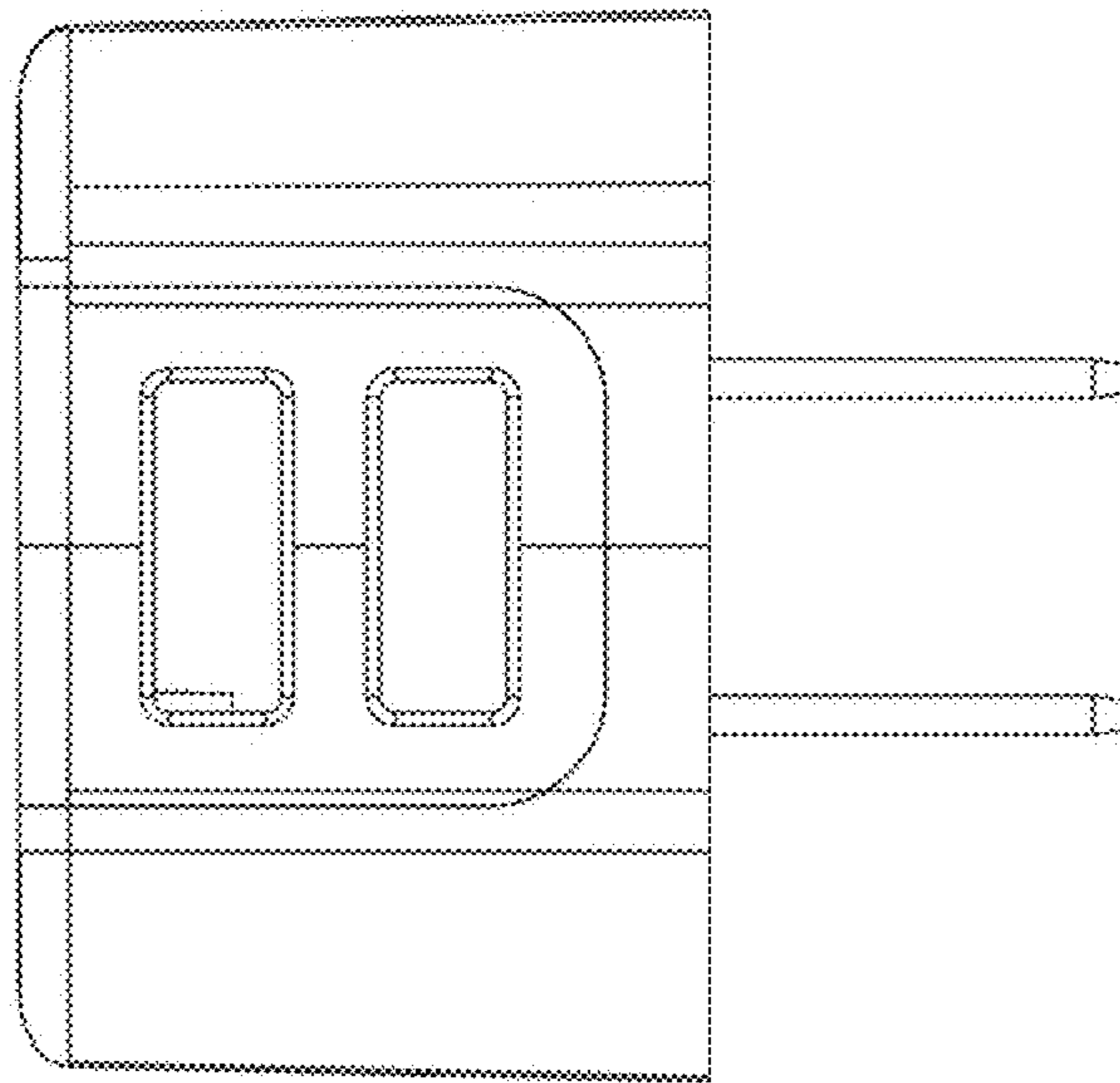


FIG.3

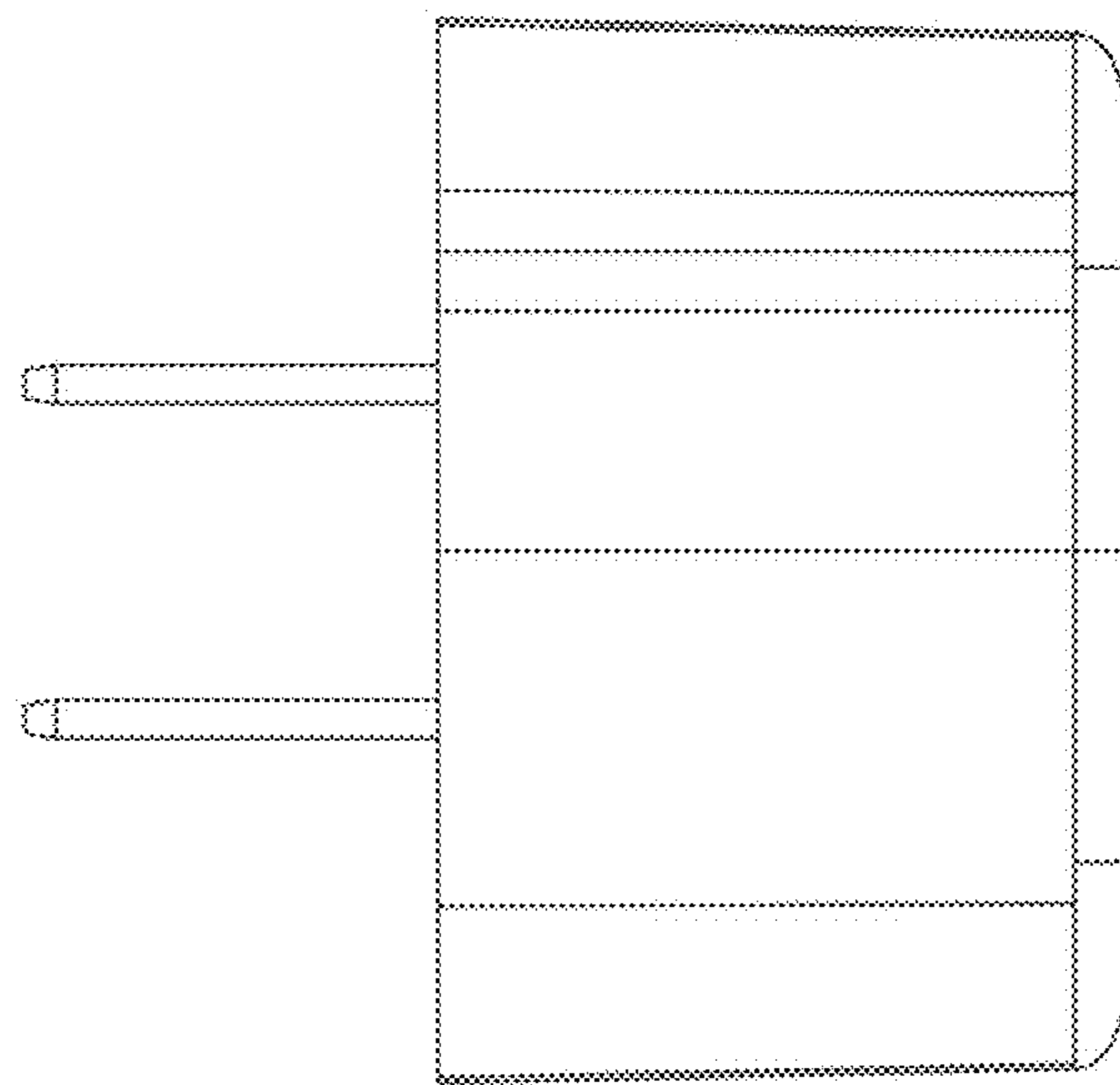


FIG.4

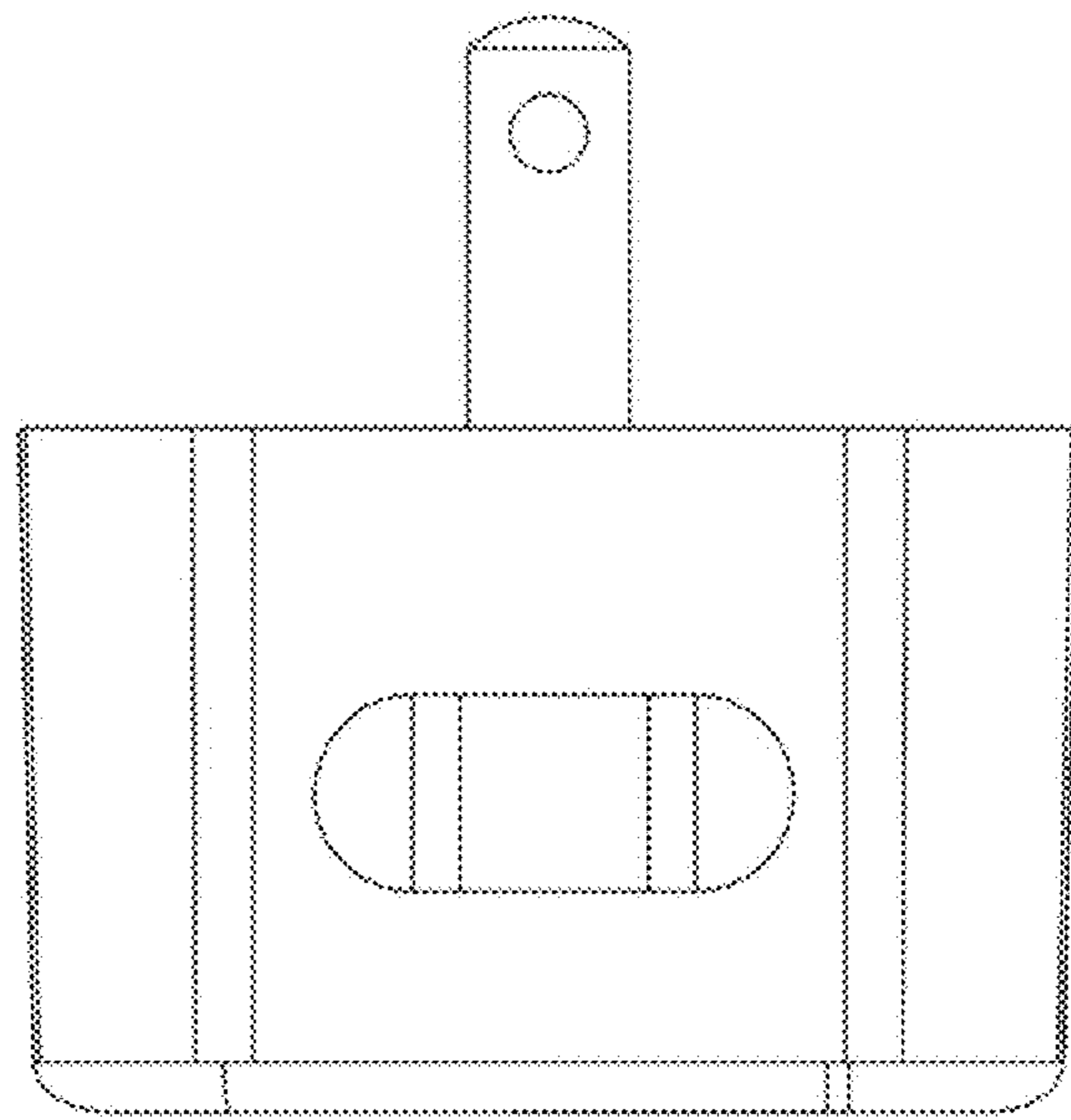


FIG. 5

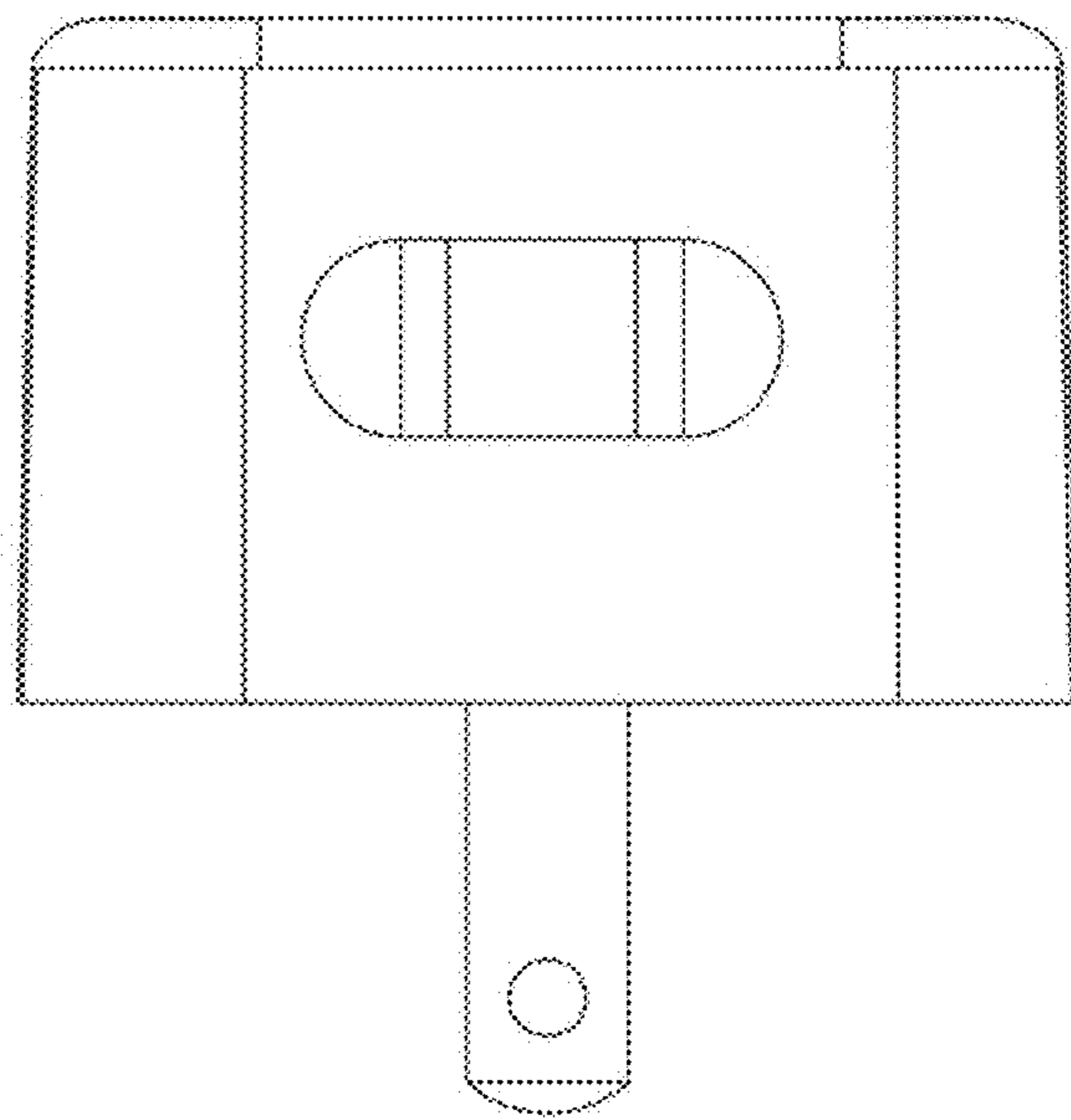


FIG.6

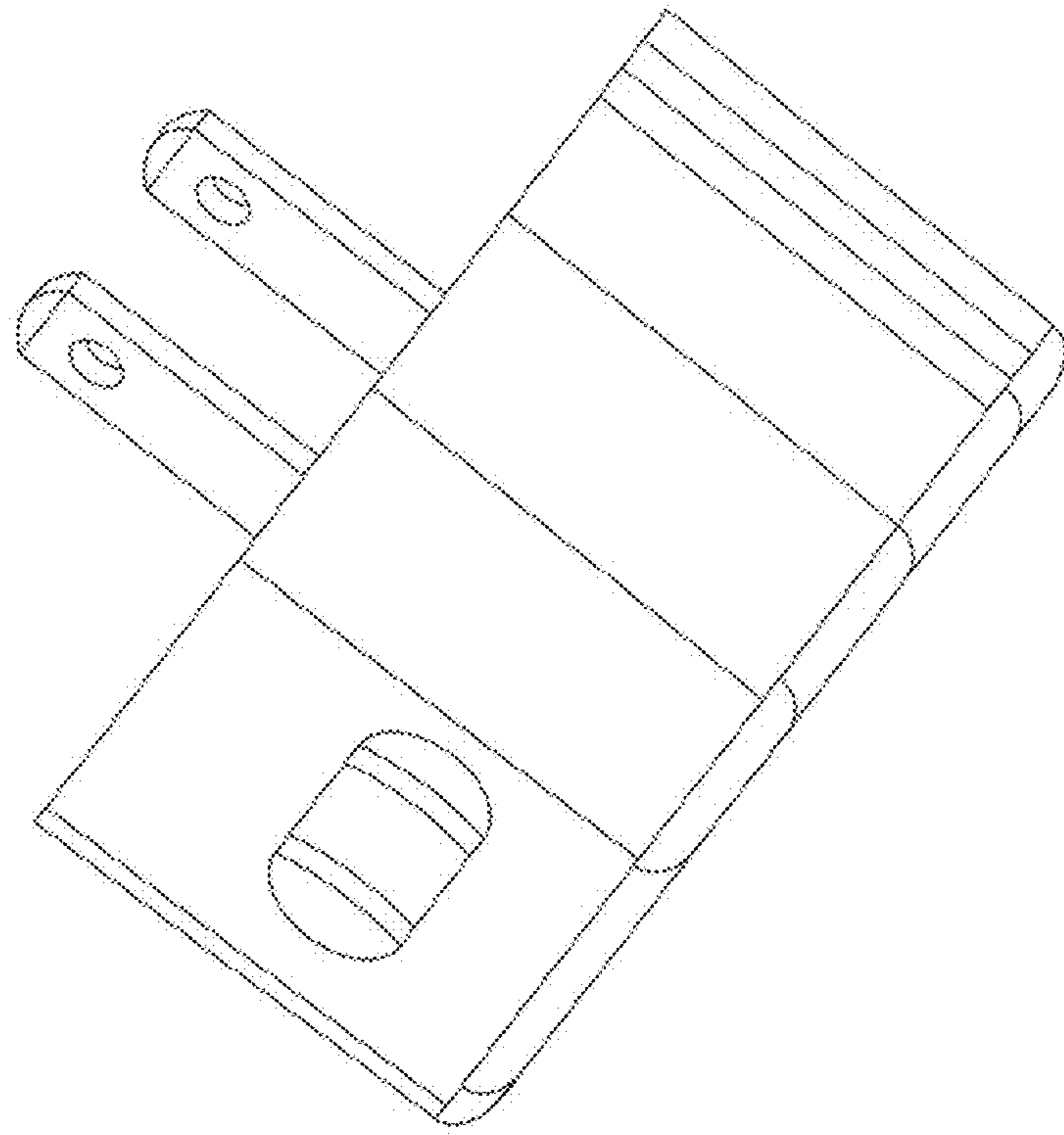


FIG.7