



US00D930578S

(12) **United States Design Patent**
Zheng et al.

(10) **Patent No.:** **US D930,578 S**

(45) **Date of Patent:** **** Sep. 14, 2021**

(54) **POWER SUPPLY**

(71) Applicant: **Aukey Technology Co., Ltd**, Shenzhen (CN)

(72) Inventors: **Huahui Zheng**, Shenzhen (CN); **Bo Du**, Shenzhen (CN); **Haizhuan Lu**, Shenzhen (CN)

(73) Assignee: **Aukey Technology Co., Ltd**, Shenzhen (CN)

(**) Term: **15 Years**

(21) Appl. No.: **29/722,989**

(22) Filed: **Feb. 4, 2020**

(51) **LOC (13) Cl.** **13-02**

(52) **U.S. Cl.**
USPC **D13/107; D13/110**

(58) **Field of Classification Search**
USPC D13/103, 106, 107, 108, 109, 110, 112,
D13/116, 118, 119, 152, 184, 199;
D14/432, 433, 434
CPC H02J 7/0027; H05K 5/00; F02N 11/12
See application file for complete search history.

(56) **References Cited**

U.S. PATENT DOCUMENTS

D701,490	S	*	3/2014	Inskeep	D13/110
D786,192	S	*	5/2017	Liu	D13/107
D803,151	S	*	11/2017	Zhou	D13/107
D821,306	S	*	6/2018	Liu	D13/107
D851,586	S	*	6/2019	Liu	D13/108
D870,035	S	*	12/2019	Yang	D13/107
D872,011	S	*	1/2020	Rao	D13/107
D885,330	S	*	5/2020	Gan	D13/107
D902,851	S	*	11/2020	Wu	D13/107
D919,572	S	*	5/2021	Lei	D13/110
2016/0359352	A1	*	12/2016	Chiu	F02N 11/12
2018/0166897	A1	*	6/2018	Deng	H02J 7/0044
2018/0269703	A1	*	9/2018	Nook	H01M 50/543

OTHER PUBLICATIONS

“The Zeus—Portable Car Battery”. Found online May 20, 2021 at unchartedsupplyco.com. Reference dated Aug. 21, 2018. Retrieved from https://unchartedsupplyco.com/products/the-zeus?keyword=&gclid=WEIaIQobChMlqKWenzY8AIVGI_ICh0o1Ad-EAQYBSABEglQmPD_BwE. (Year: 2018).*

“Car Battery Jump Starter Portable”. Found online May 20, 2021 at amazon.com. Reference dated Jun. 24, 2019. Retrieved from https://www.amazon.com/Car-Battery-Jump-Starter-Portable/dp/B07TD4NQR9/ref=pd_lpo_263_t_2/132-9804480-5734033. (Year: 2019).*

“BEATIT Jump Starter”. Found online May 20, 2021 at amazon.com. Reference dated Dec. 24, 2018. Retrieved from https://www.amazon.com/BEATIT-21000mAh-Portable-Inverter-BP101/dp/B07M9M86JM/ref=psdc_318336011_t5_B084BWGWHY. (Year: 2018).*

* cited by examiner

Primary Examiner — Kendra Leslie Hamilton

Assistant Examiner — Amanda Christensen

(74) *Attorney, Agent, or Firm* — Westbridge IP LLC

(57) **CLAIM**

The ornamental design for a power supply, as shown and described.

DESCRIPTION

FIG. 1 is a front, left, top perspective view of a power supply showing our new design;

FIG. 2 is a rear, right, bottom perspective view thereof;

FIG. 3 is a front elevational view thereof;

FIG. 4 is a rear elevational view thereof;

FIG. 5 is a left side view thereof;

FIG. 6 is a right side view thereof;

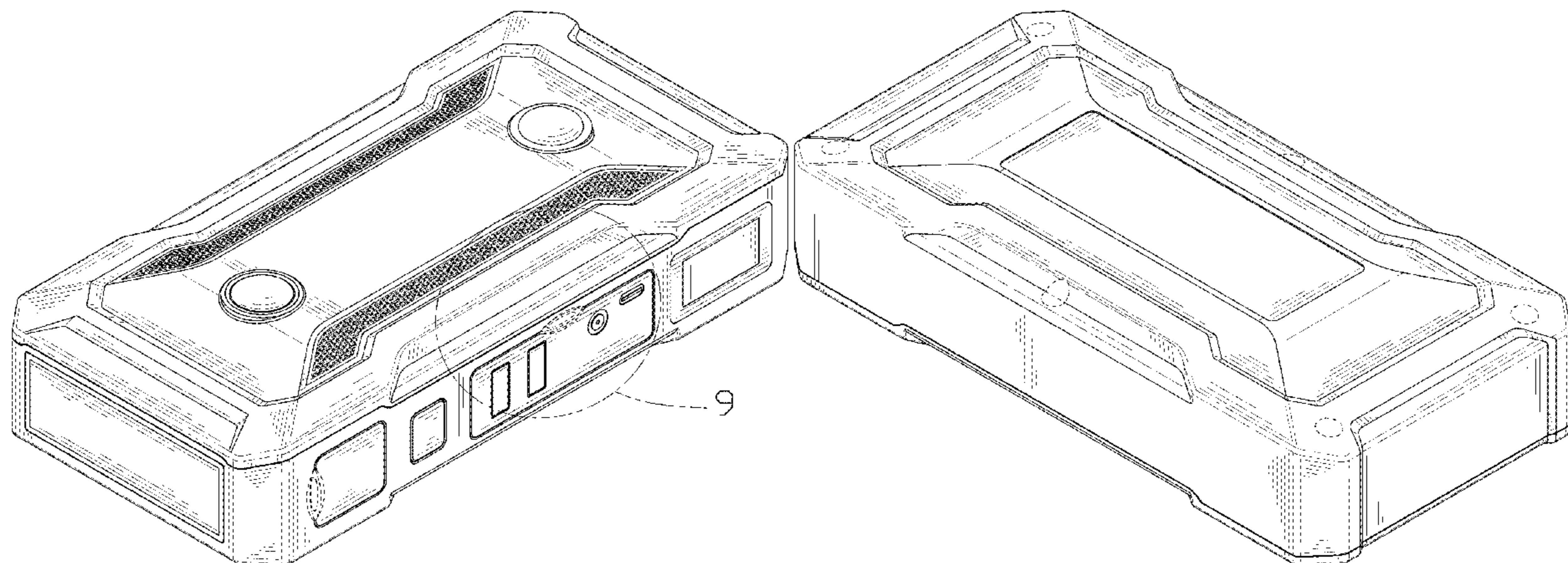
FIG. 7 is a top plan view thereof;

FIG. 8 is a bottom plan view thereof; and,

FIG. 9 is an enlarged top, front perspective view of the detail identified in FIG. 1.

The broken lines depict portions of the power supply that form no part of the claimed design.

1 Claim, 9 Drawing Sheets



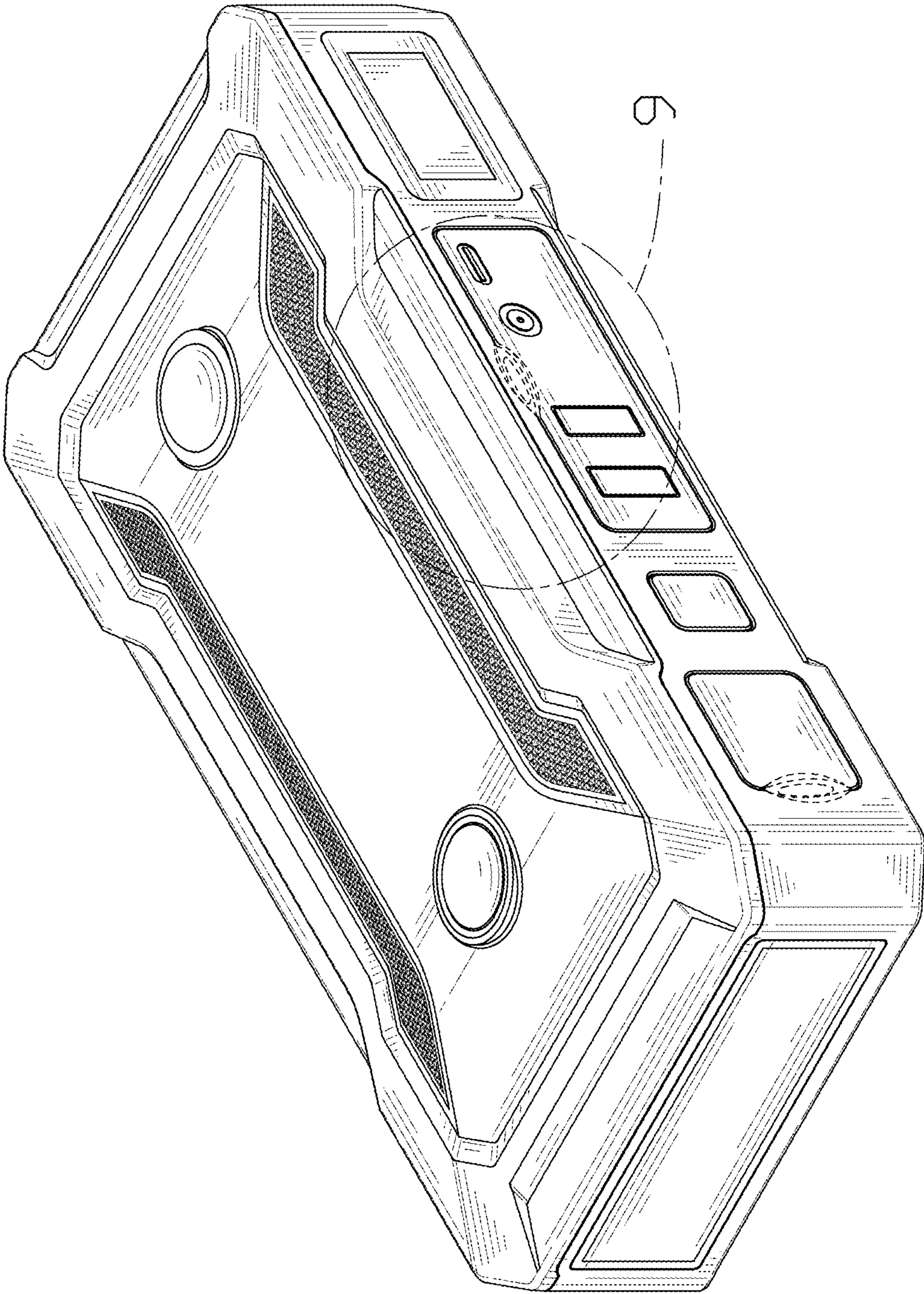


FIG. 1

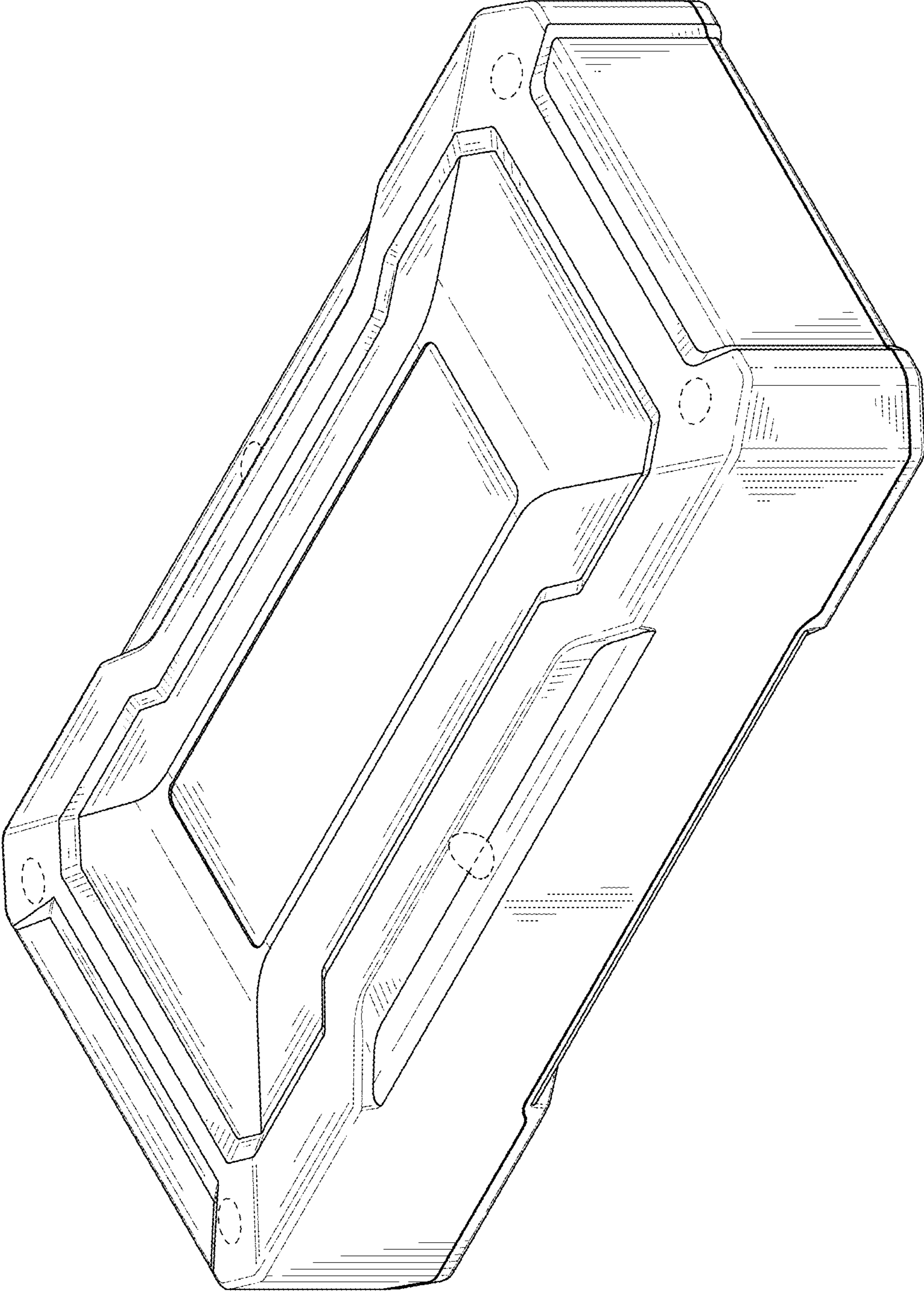


FIG. 2

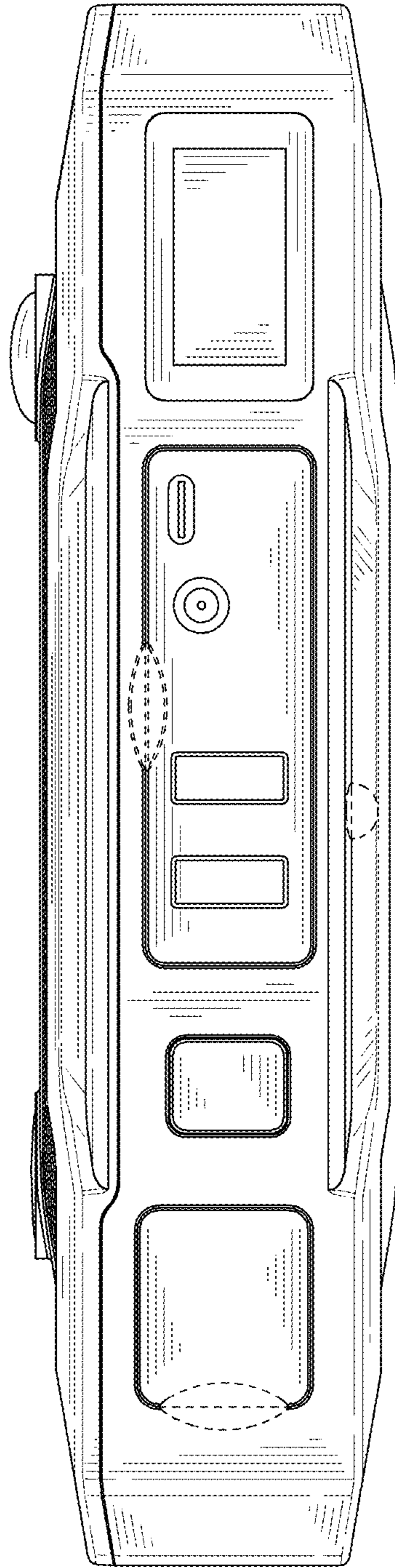


FIG. 3

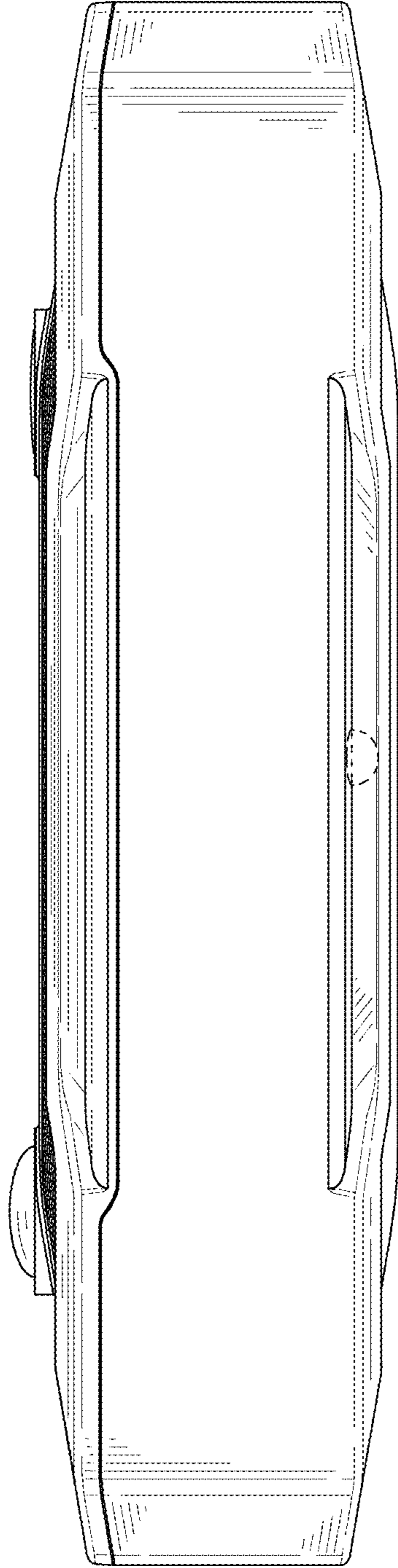


FIG. 4

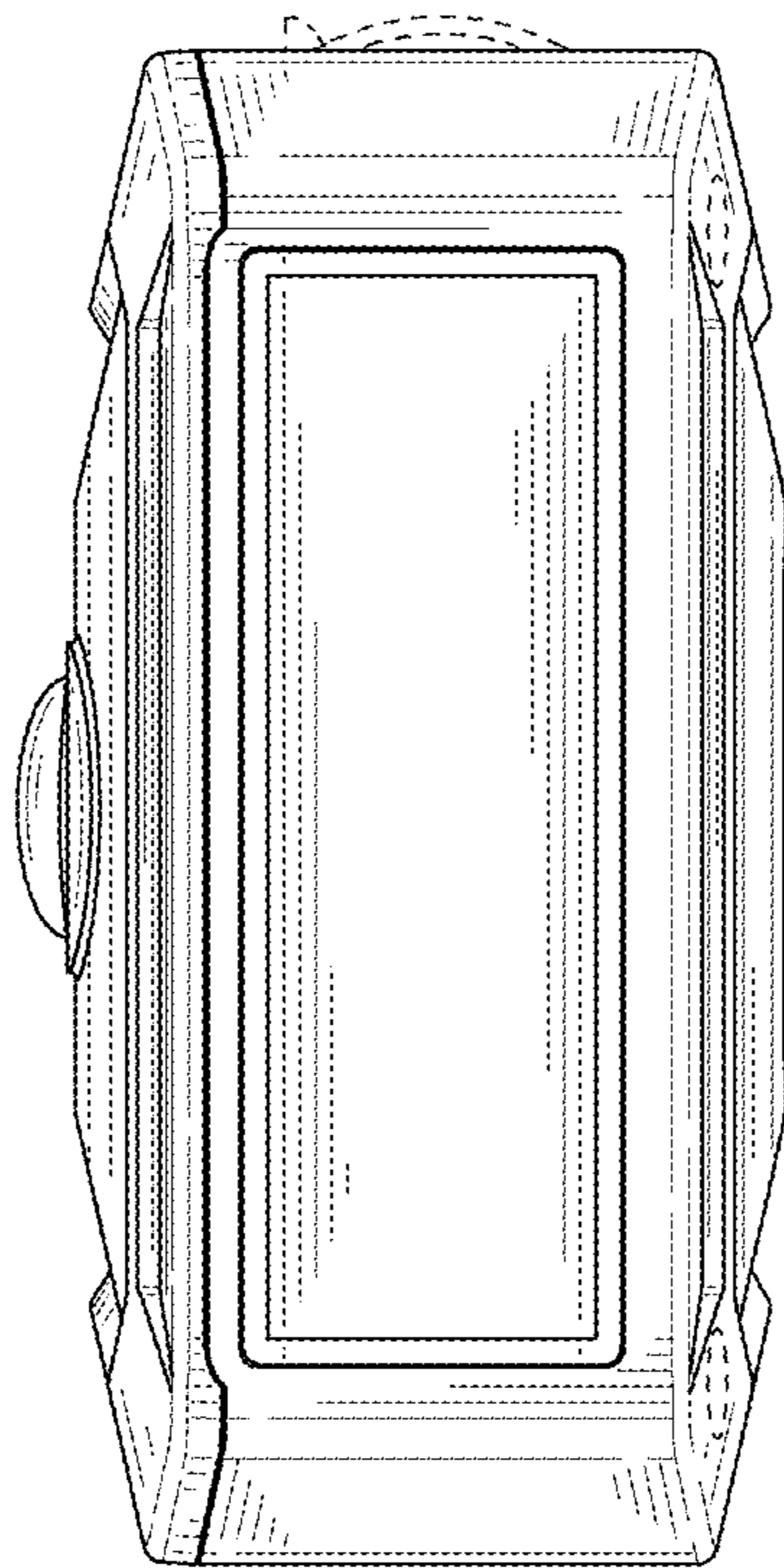


FIG. 5

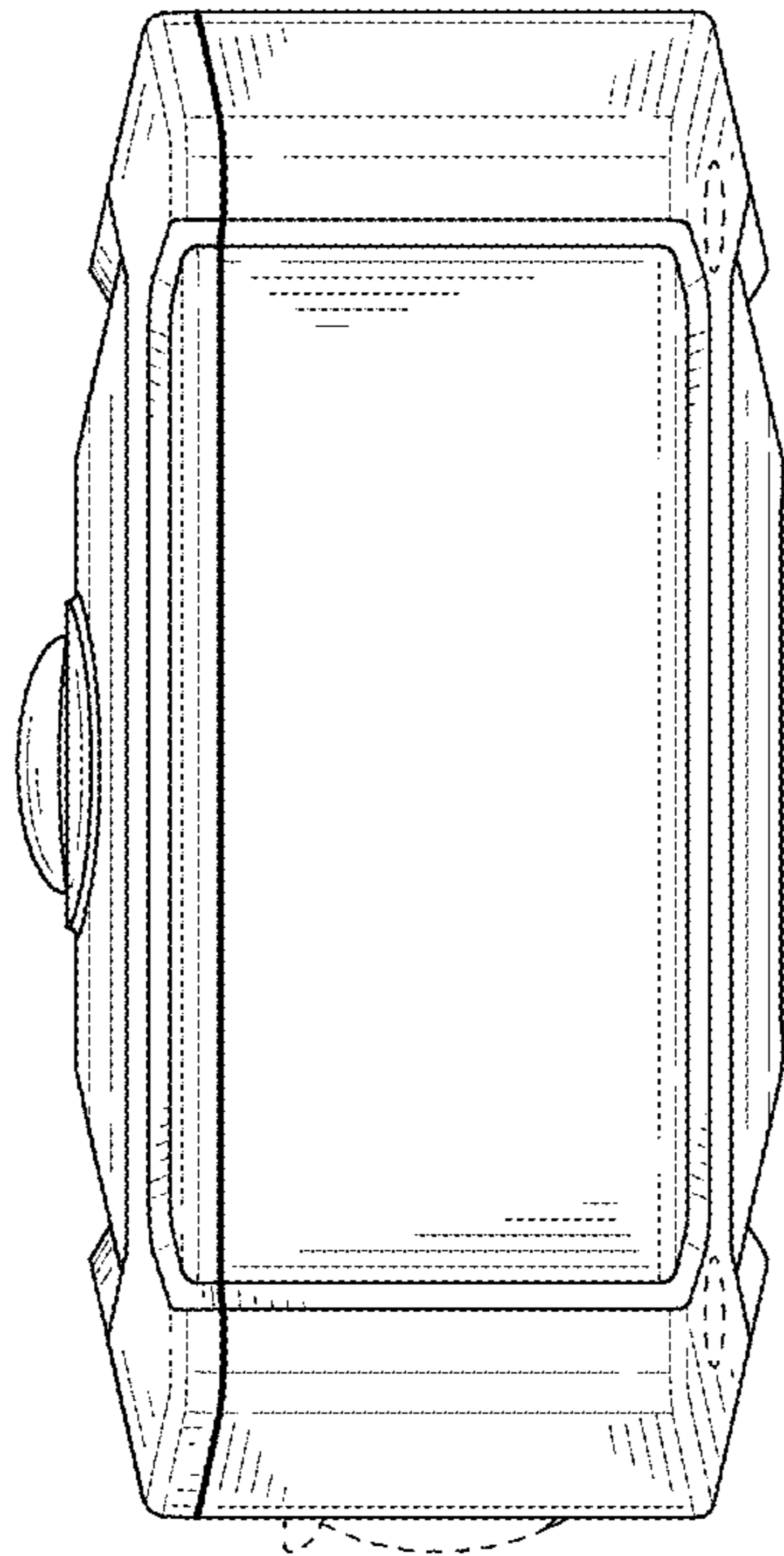


FIG. 6

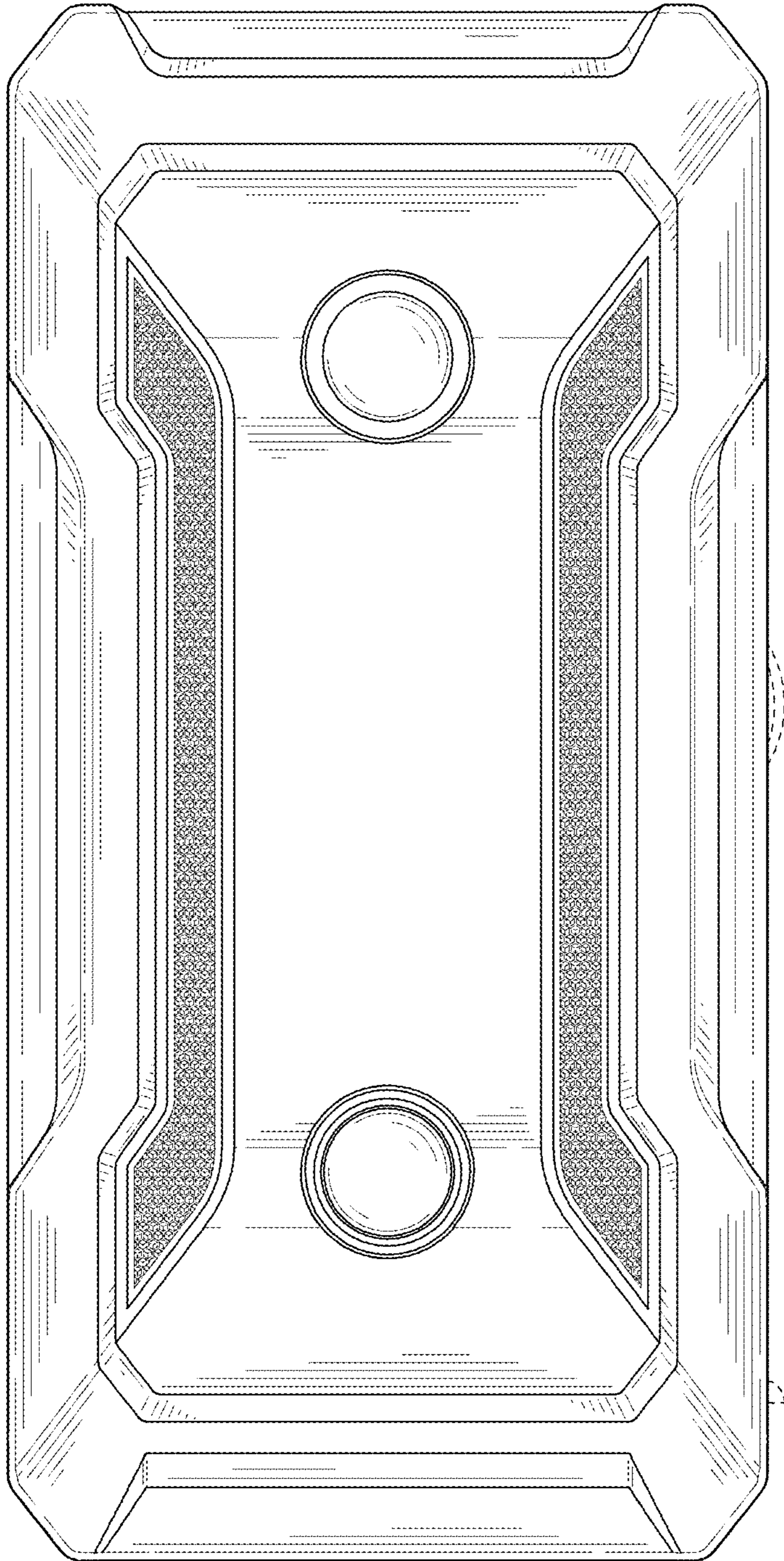


FIG. 7

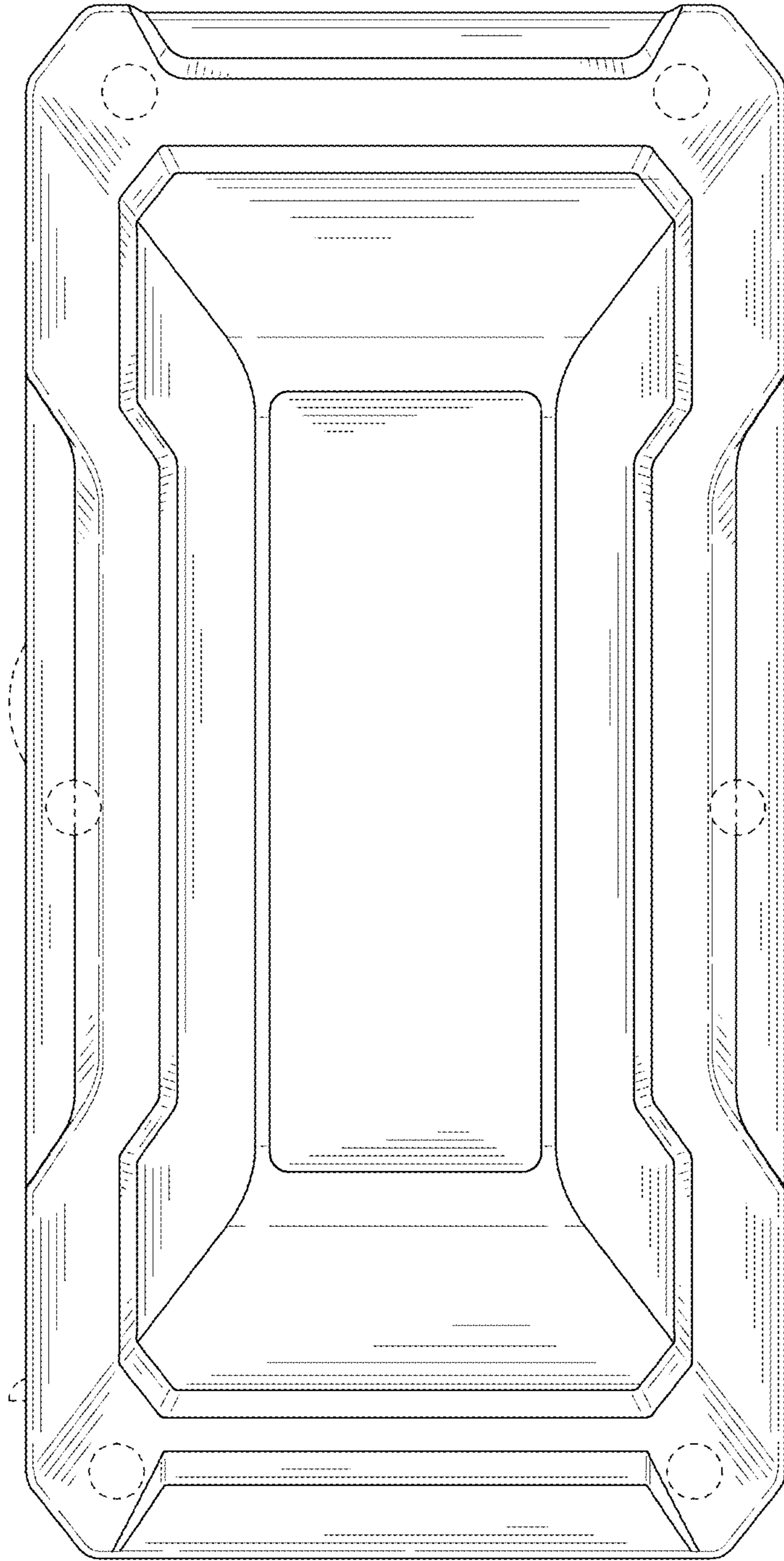


FIG. 8

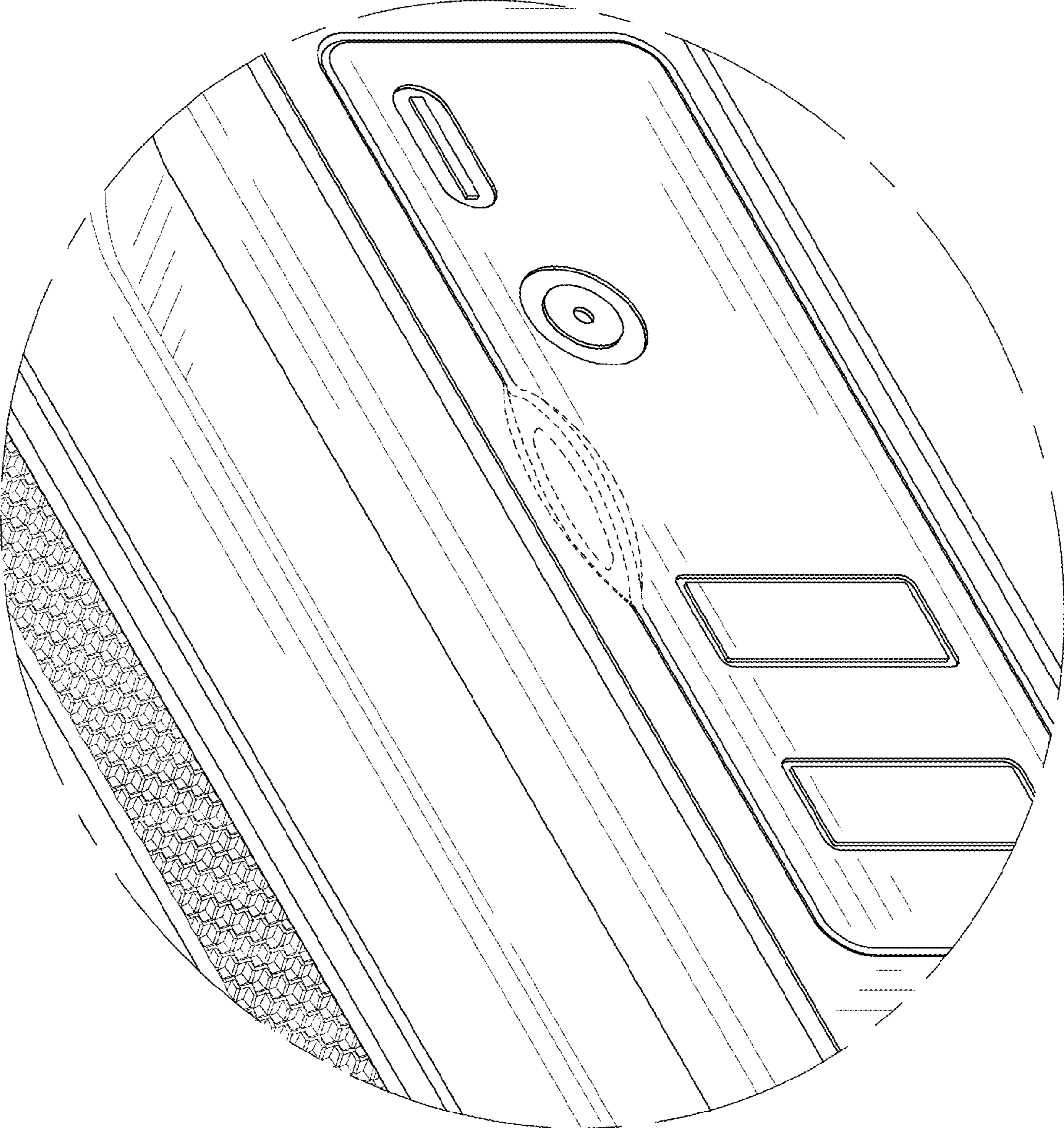


FIG. 9