



US00D930576S

(12) **United States Design Patent**
Wei

(10) **Patent No.:** **US D930,576 S**

(45) **Date of Patent:** **** Sep. 14, 2021**

(54) **BATTERY**

(71) Applicant: **SHENZHEN SONGWEI TECHNOLOGY CO., LTD.**, Shenzhen (CN)

(72) Inventor: **Hongsheng Wei**, Nanjing (CN)

(73) Assignee: **SHENZHEN SONGWEI TECHNOLOGY CO., LTD.**, Shenzhen (CN)

(**) Term: **15 Years**

(21) Appl. No.: **29/714,950**

(22) Filed: **Nov. 27, 2019**

(51) **LOC (13) Cl.** **13-02**

(52) **U.S. Cl.**
USPC **D13/103**; D13/119; D16/234

(58) **Field of Classification Search**
USPC D13/101, 103, 107, 108, 109, 110, 117, D13/118, 119, 120, 123, 133, 137.1, D13/137.2, 137.4, 138.1, 138.2, 139.7, D13/146, 153, 199; D14/230, 233, 234, D14/432, 433; D16/242, 243
CPC H01R 29/00; H01R 11/00; H01R 13/46
See application file for complete search history.

(56) **References Cited**

U.S. PATENT DOCUMENTS

D231,402 S *	4/1974	Bourke	D16/243
D320,995 S *	10/1991	Fukuda	D16/243
D370,888 S *	6/1996	Okumura	D13/108
D414,165 S *	9/1999	Klein	D14/432
D449,499 S *	10/2001	Voges	D24/133
D557,582 S *	12/2007	Murray	D8/73
D641,871 S *	7/2011	Tenger	D24/133
D689,539 S *	9/2013	Zaletel	D16/242

10,252,401 B2 *	4/2019	Lucas	B25B 27/023
D854,383 S *	7/2019	Felkins, Sr.	D7/622
D892,038 S *	8/2020	Chen	D13/103
2008/0012367 A1 *	1/2008	Mortensen	A62B 99/00 294/211
2009/0254094 A1 *	10/2009	Knapp	A61B 17/1637 606/96

OTHER PUBLICATIONS

“SOONWELL Rechargeable Battery Pack Handle”. Found online Jan. 14, 2021 at amazon.com. Reference dated Aug. 19, 2019. Retrieved from https://www.amazon.com/SOONWELL-Rechargeable-Battery-Handle-Release/dp/B07WS94Y1N/ref=pd_sbs_421_1/145-0776451-0318731. (Year: 2019).*

(Continued)

Primary Examiner — Kendra Leslie Hamilton
Assistant Examiner — Amanda Christensen

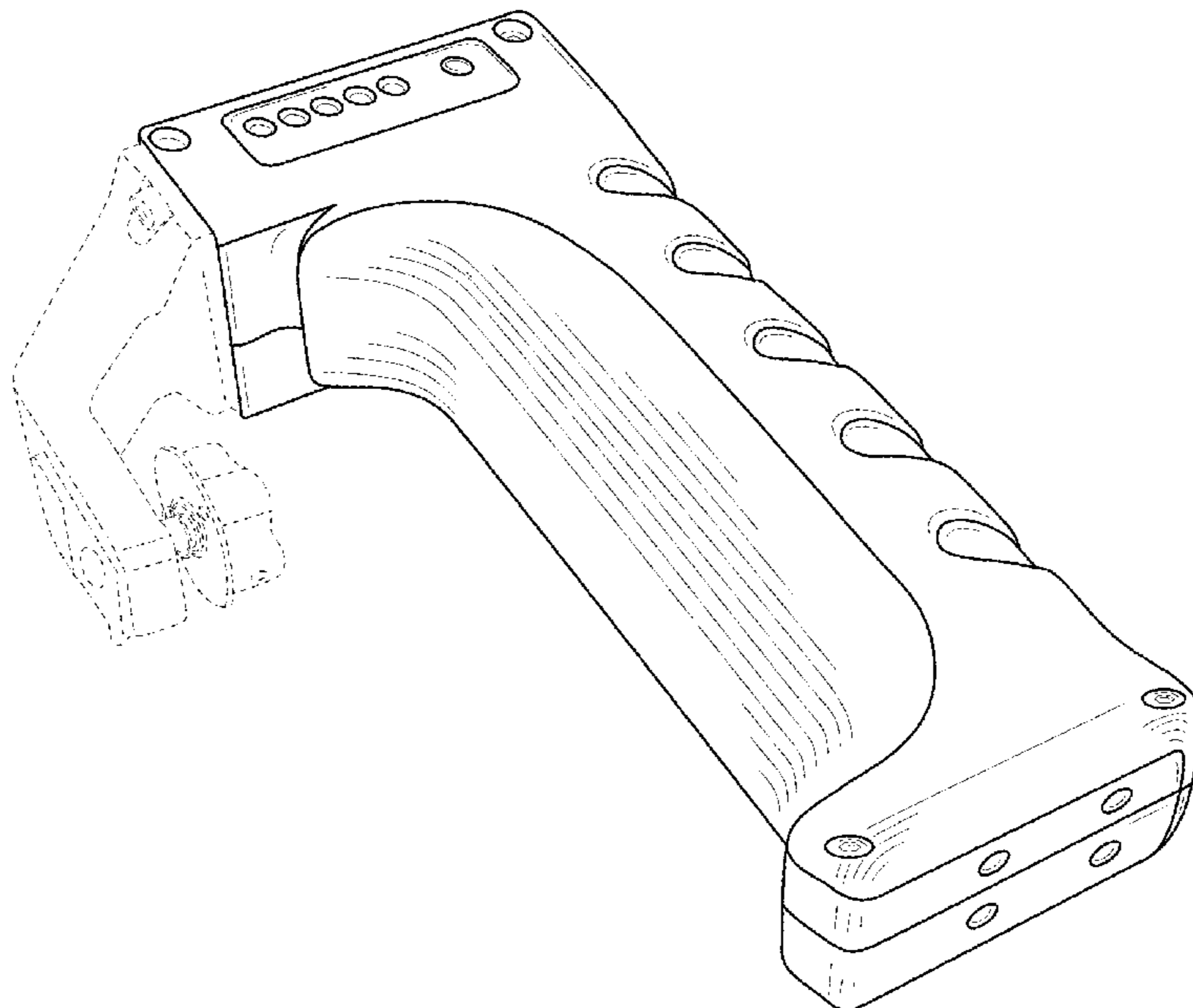
(57) **CLAIM**

The ornamental design for a battery, as shown and described.

DESCRIPTION

FIG. 1 is a bottom, rear, left side perspective view of a battery, showing my new design;
FIG. 2 is a bottom, front, left side perspective view thereof;
FIG. 3 is a front elevation view thereof;
FIG. 4 is a rear elevation view thereof;
FIG. 5 is a left side elevation view thereof;
FIG. 6 is a right side elevation view thereof;
FIG. 7 is a top plan view thereof; and,
FIG. 8 is a bottom plan view thereof.
The equal-length broken lines in the drawings depict portions of the battery that form no part of the claimed design.

1 Claim, 8 Drawing Sheets



(56)

References Cited

OTHER PUBLICATIONS

“SOONWELL Battery Pack Handle”. Found online Jan. 29, 2021 at 4kshootersnet. Reference dated Sep. 4, 2019. Retrieved from <https://www.4kshooters.net/2019/09/04/meet-the-soonwell-ph70-a-rechargeable-battery-pack-handle-for-your-mirrorless-camera-or-dslr/>. (Year: 2019).*

“TILTA Cage Rig”. Found online Jan. 14, 2021 at amazon.com. Reference dated Mar. 28, 2019. Retrieved from https://www.amazon.com/Tilta-TA-T01-B-G-2-Blackmagic-Pocket-Sunhood/dp/B07TMW5T5R/ref=psdc_196573011_t2_B07YYGQK6W (Year: 2019).*

* cited by examiner

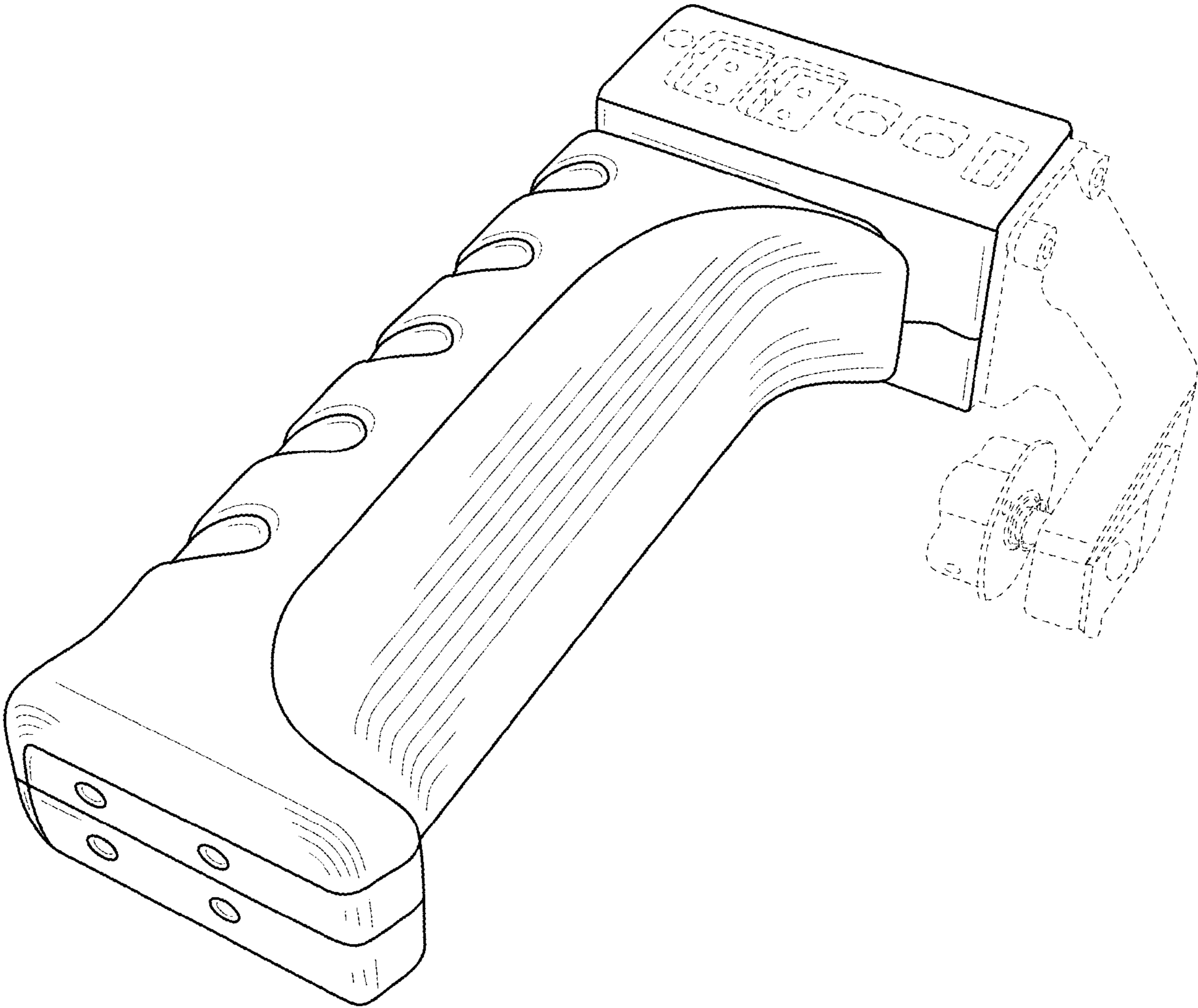


FIG. 1

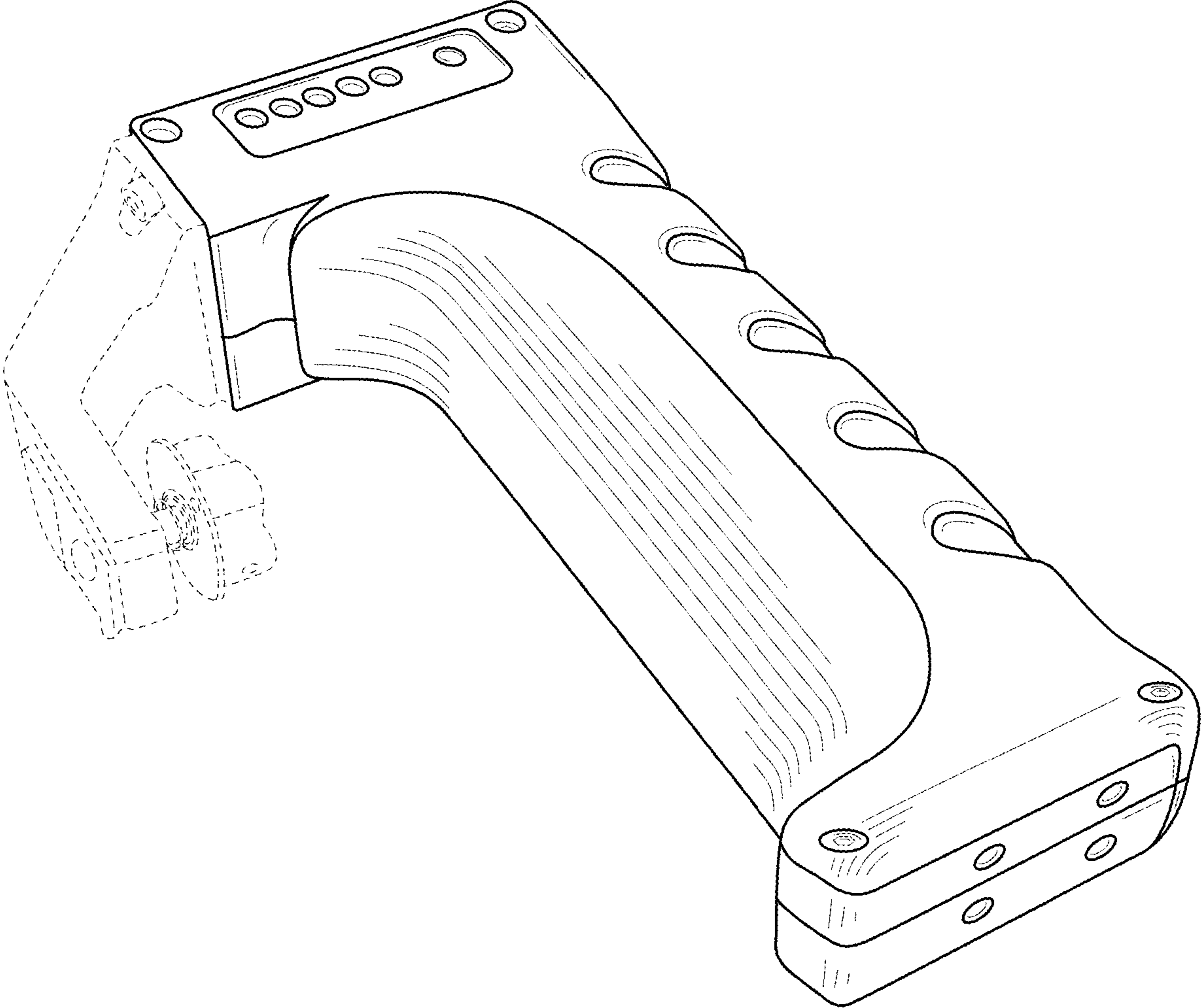


FIG. 2

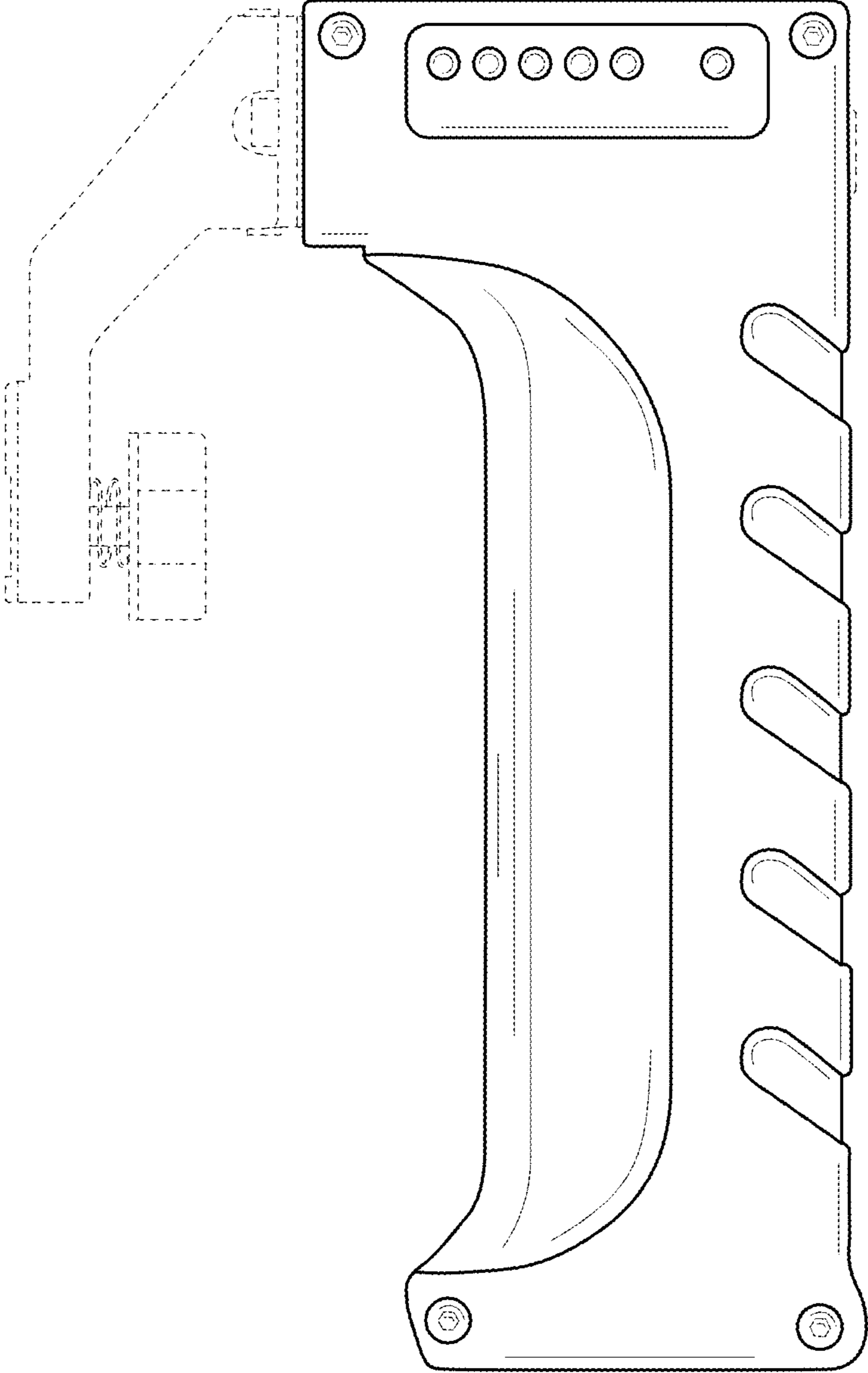


FIG. 3

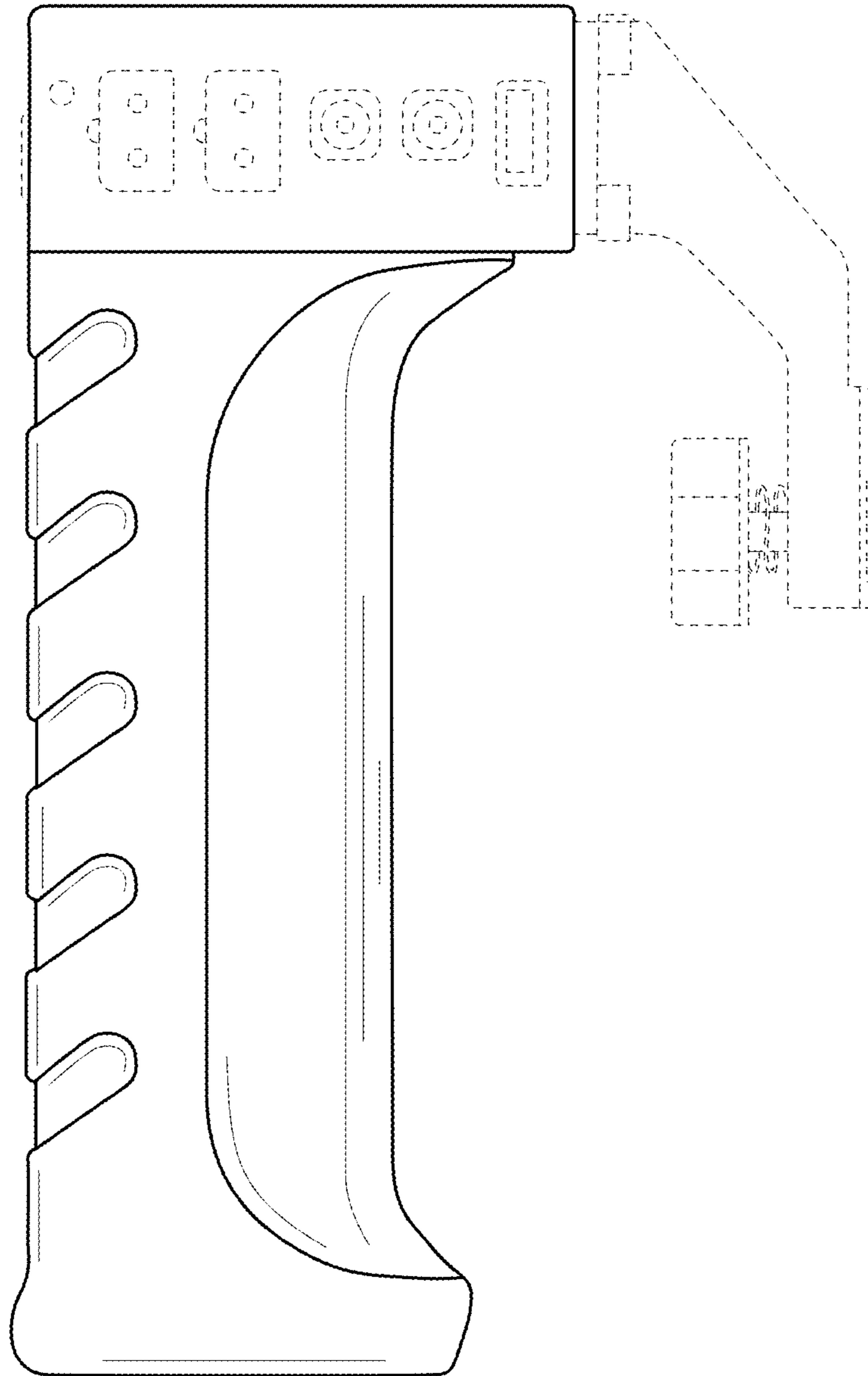


FIG. 4

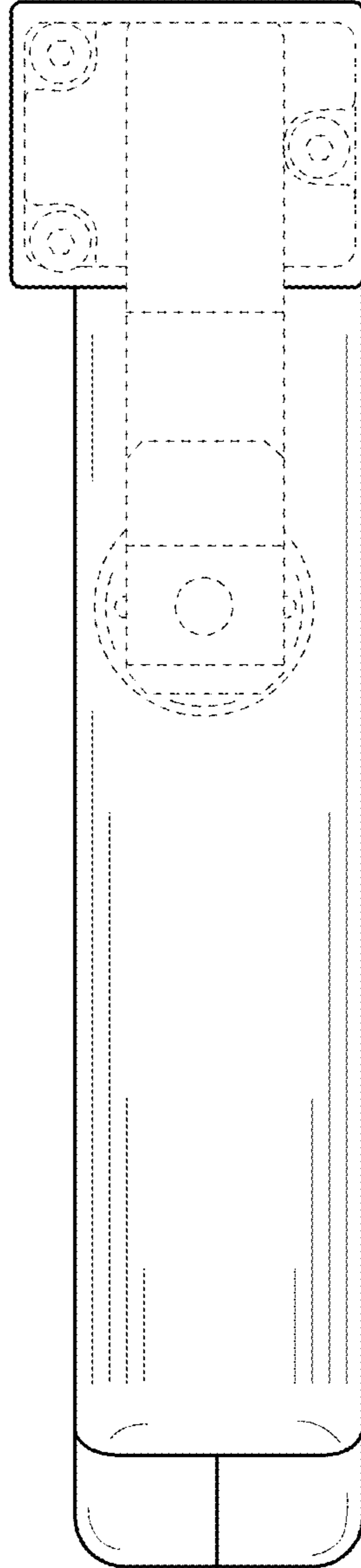


FIG. 5

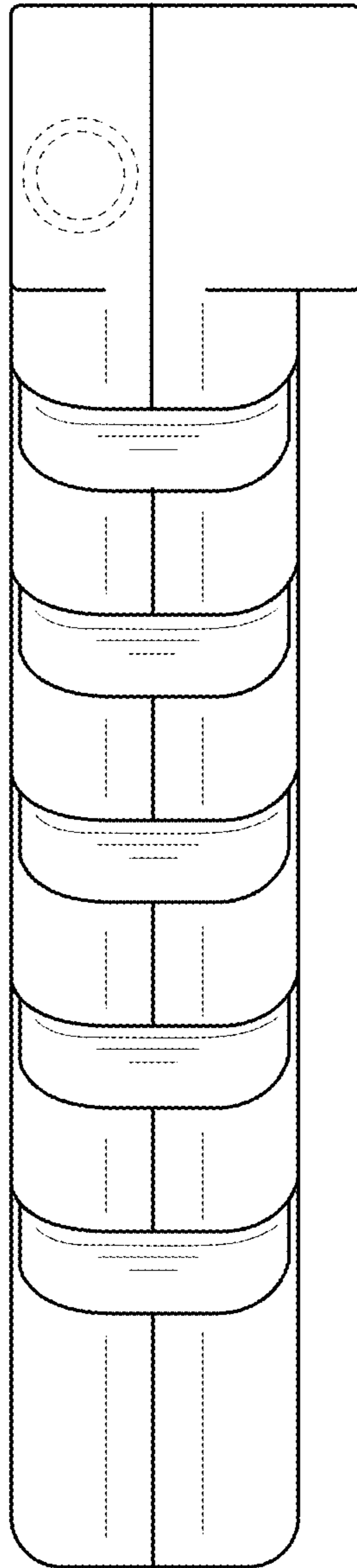


FIG. 6

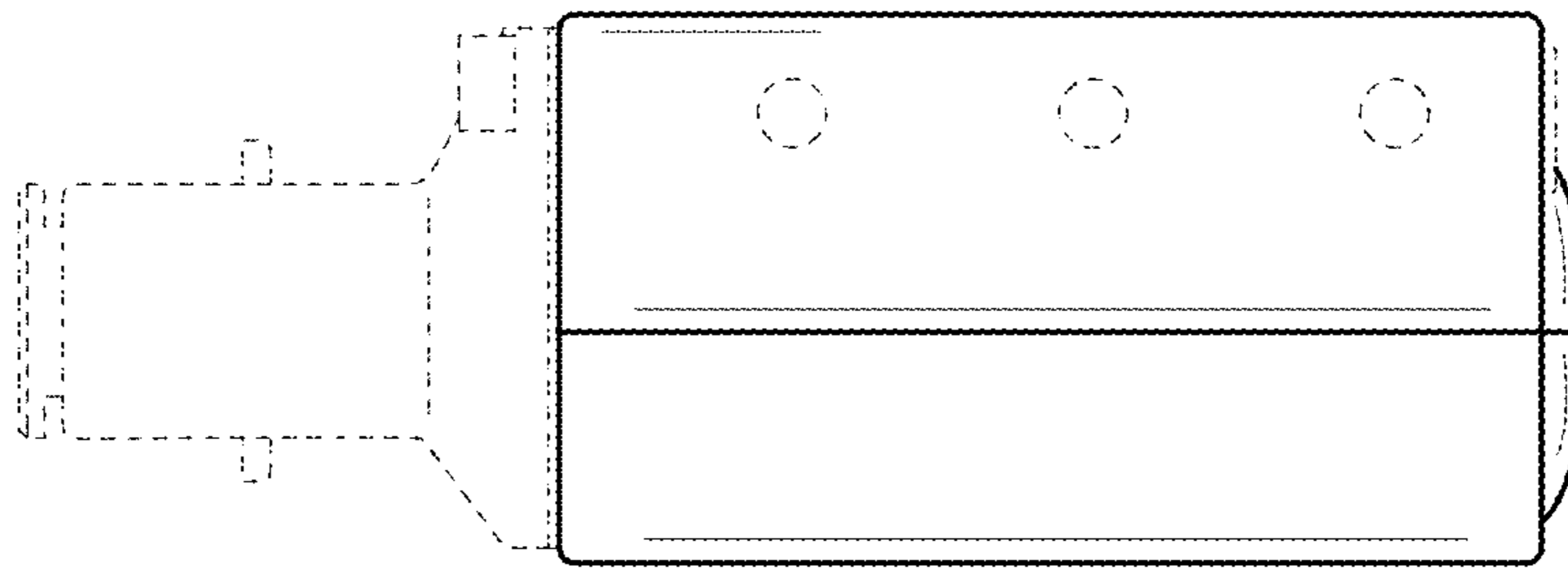


FIG. 7

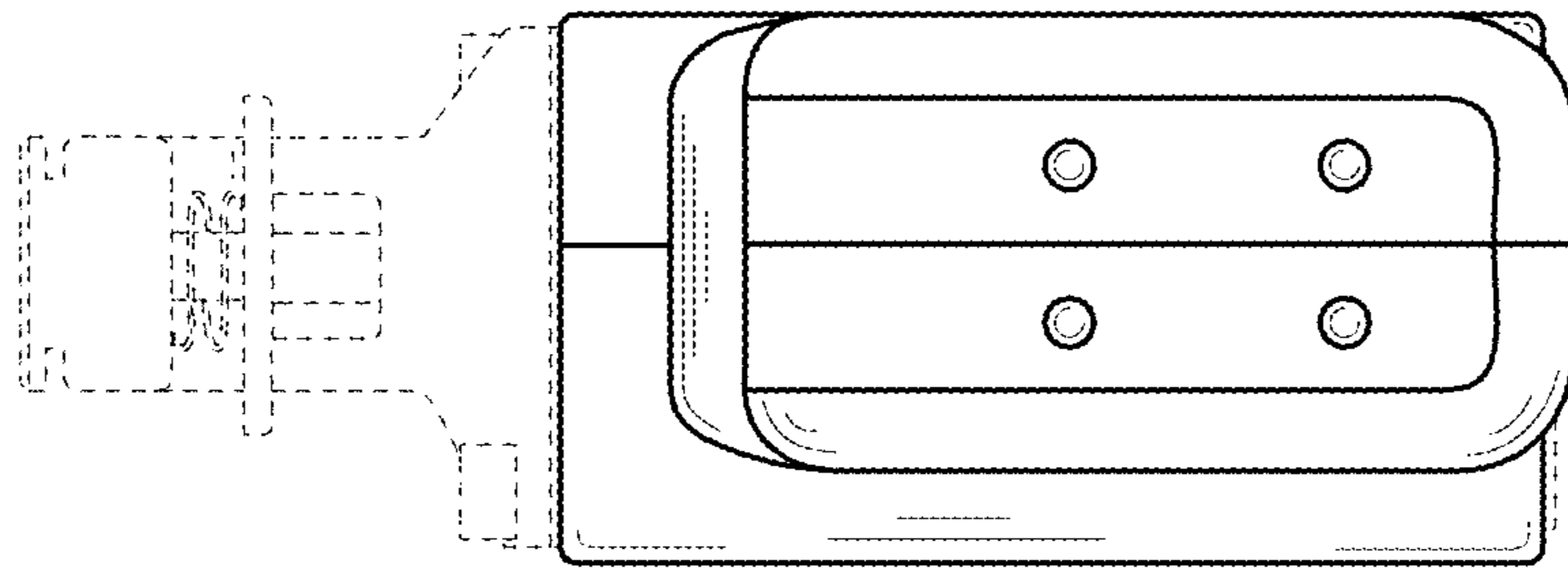


FIG. 8