



US00D930575S

(12) **United States Design Patent** (10) **Patent No.:** **US D930,575 S**
Schramm et al. (45) **Date of Patent:** **** Sep. 14, 2021**

(54) **BATTERY**
(71) Applicant: **Robert Bosch GmbH**, Stuttgart (DE)
(72) Inventors: **Simone Schramm**, Tuebingen (DE);
Simon Buck, St. Johann (DE); **Wolf Zahn**, Stuttgart (DE)
(73) Assignee: **Robert Bosch GmbH**, Stuttgart (DE)
(**) Term: **15 Years**

D664,092 S * 7/2012 Gea Suarez D13/119
D674,746 S * 1/2013 Zhang D13/102
D720,291 S * 12/2014 Liu D13/119
D729,162 S * 5/2015 Liu D13/119
D751,978 S * 3/2016 Hong D13/103
D751,979 S * 3/2016 Hong D13/103
D780,113 S * 2/2017 Xianxi D13/103
D813,155 S * 3/2018 Yamada D13/103
D826,845 S * 8/2018 Greiner D13/103
D826,846 S * 8/2018 Greiner D13/103

(Continued)

(21) Appl. No.: **29/712,357**
(22) Filed: **Nov. 7, 2019**

FOREIGN PATENT DOCUMENTS

CN 304777279 * 8/2018
CN 306460064 * 4/2021

(Continued)

(30) **Foreign Application Priority Data**

May 8, 2019 (EM) 006434189

(51) **LOC (13) Cl.** **13-02**

(52) **U.S. Cl.**
USPC **D13/103**

(58) **Field of Classification Search**
USPC D13/102, 103, 104, 105, 106, 107, 108,
D13/110, 118, 119, 184, 199; D3/273,
D3/274, 302, 201, 264
CPC Y02E 60/12; Y02E 60/122; Y02E 60/124;
Y02E 60/50; H01M 10/4257; H01M
10/0436; H01M 10/48; H01M 2/02;
H01M 2/022; H01M 2/0202; H01M
2/0207; H01M 2/0212; H01M 2/1061;
H01M 2/1022; H01M 2/1055; H01M
2/1066; H01M 2/105; H01M 2/204;
H01M 2/04; H01M 2/0404; H01M
2/0406; H01M 2/0465; H01M 2/06

See application file for complete search history.

(56) **References Cited**

U.S. PATENT DOCUMENTS

D401,901 S * 12/1998 Bunyea D13/119
D621,860 S * 8/2010 Fukano D15/143

Primary Examiner — Rosemary K Tarcza
Assistant Examiner — Seth David Kumpf
(74) *Attorney, Agent, or Firm* — Maginot, Moore & Beck
LLP

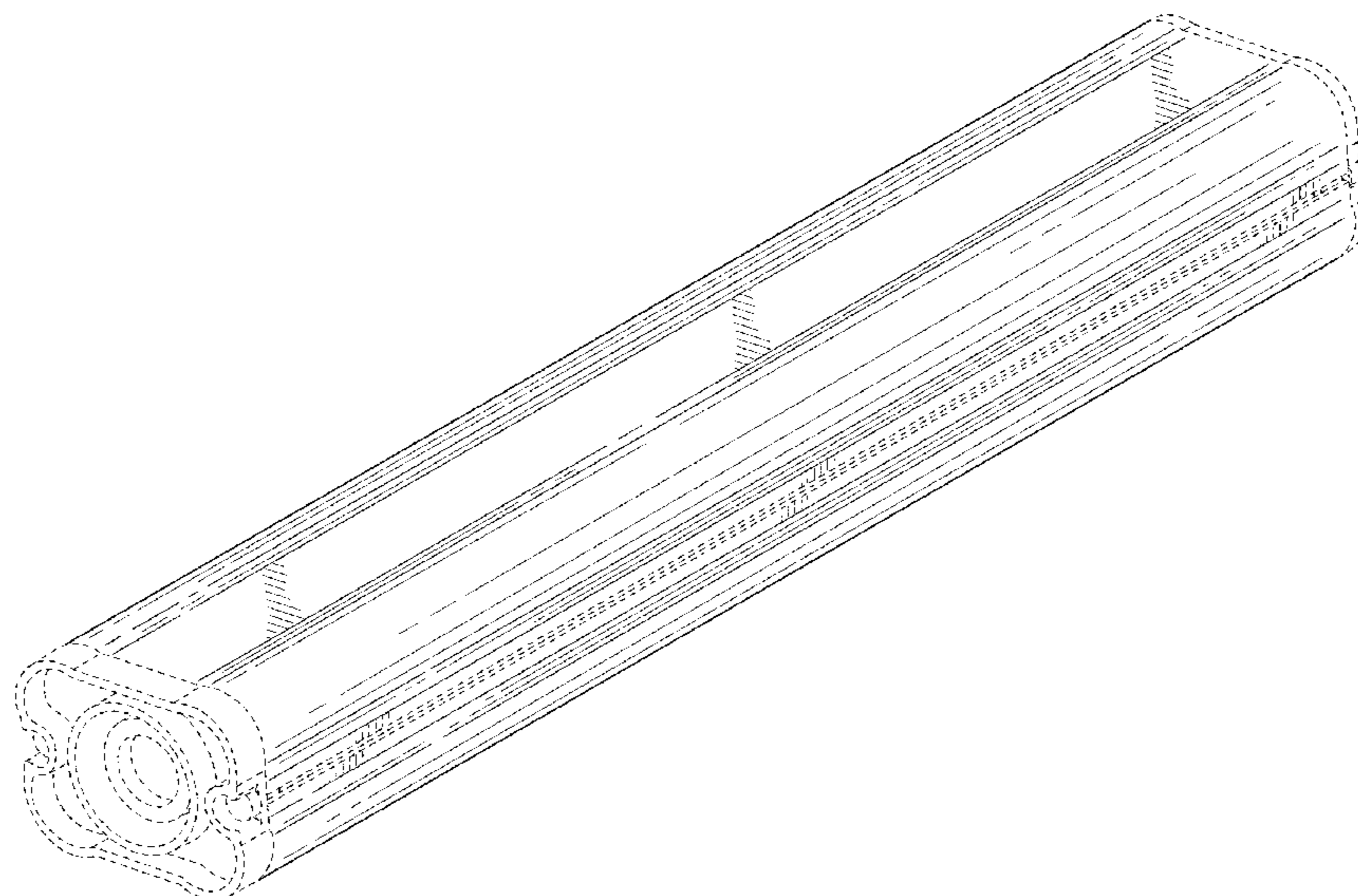
(57) **CLAIM**

The ornamental design for a battery, as shown and described.

DESCRIPTION

FIG. 1 is a perspective view of a battery showing of our new design;
FIG. 2 is a right side elevational view of the battery of FIG. 1;
FIG. 3 is a left side elevational view of the battery of FIG. 1;
FIG. 4 is a front side elevational view of the battery of FIG. 1;
FIG. 5 is a rear side elevational view of the battery of FIG. 1;
FIG. 6 is a top plan view of the battery of FIG. 1; and,
FIG. 7 is a bottom plan view of the battery of FIG. 1.
The broken lines shown in the drawings illustrate portions of the battery that form no part of the claimed design.

1 Claim, 4 Drawing Sheets



(56)

References Cited

U.S. PATENT DOCUMENTS

D837,155 S * 1/2019 Yamada D13/120
D844,557 S * 4/2019 Wang D13/103
D851,039 S * 6/2019 Schumacher D13/110
D870,375 S * 12/2019 Patil D27/194

FOREIGN PATENT DOCUMENTS

CN 306460065 * 4/2021
CN 306460066 * 4/2021
KR 300761128.0000 * 9/2014

* cited by examiner

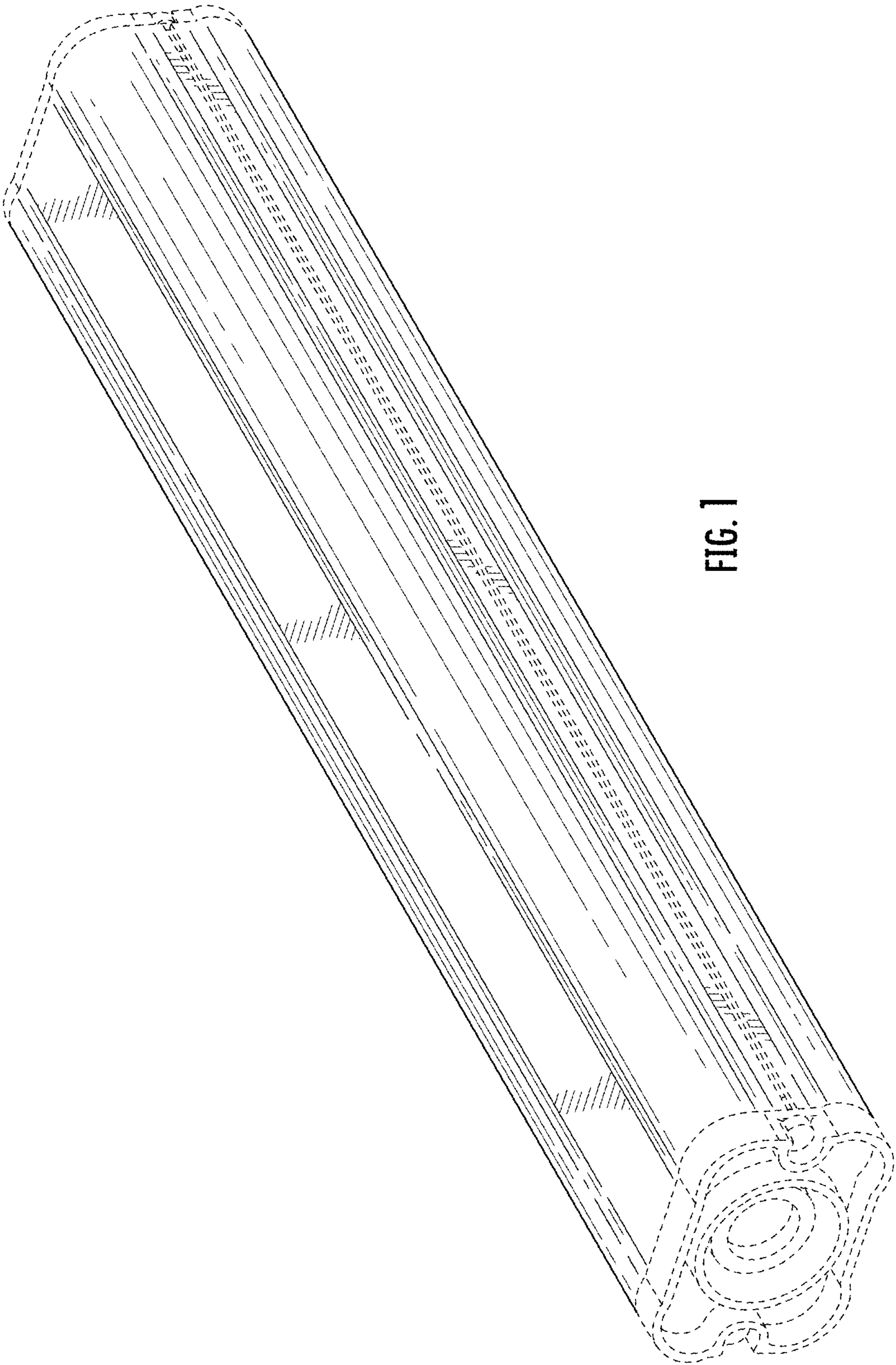


FIG. 1

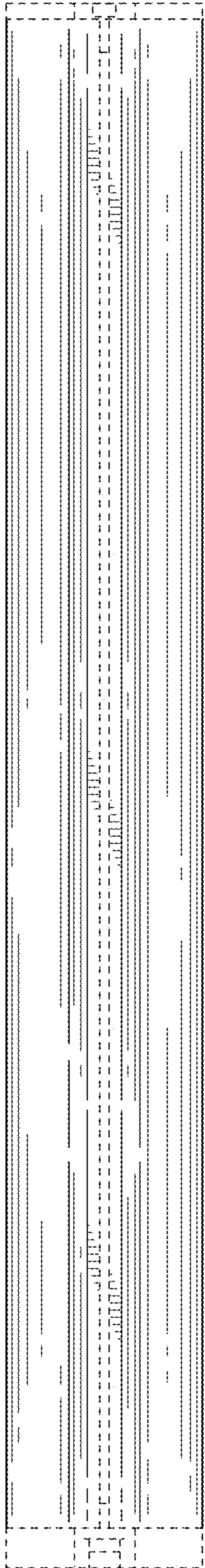


FIG. 2

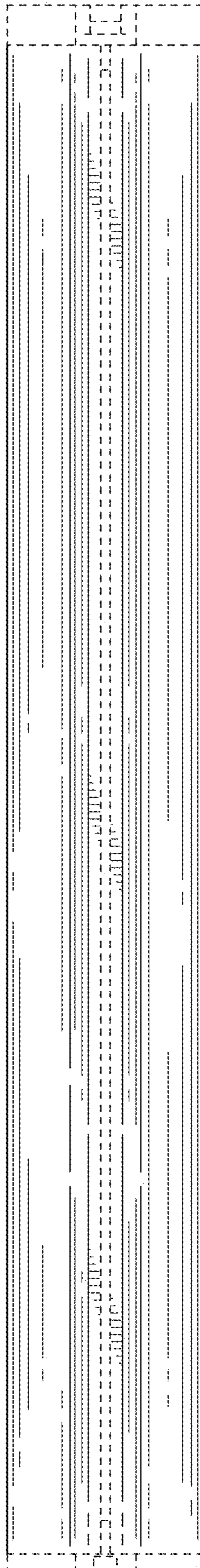


FIG. 3

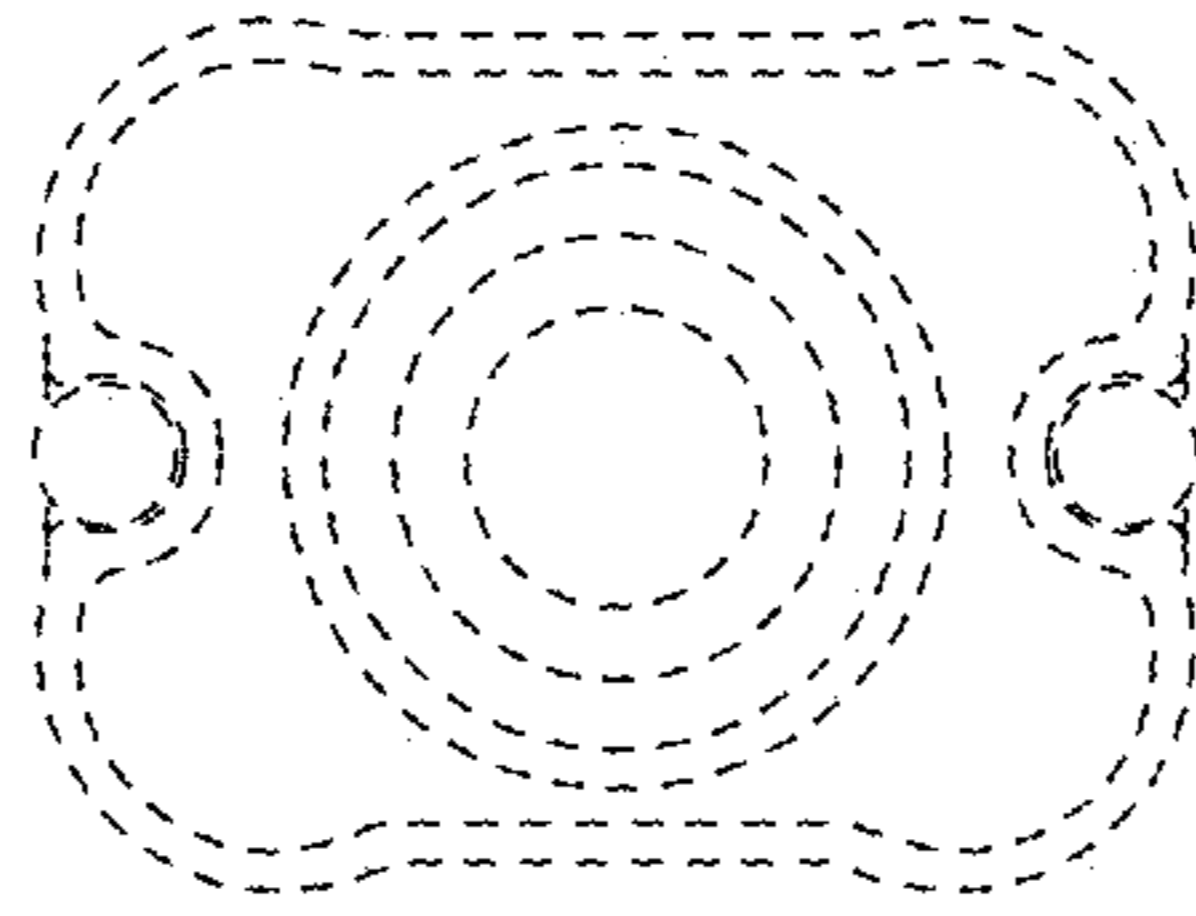


FIG. 4

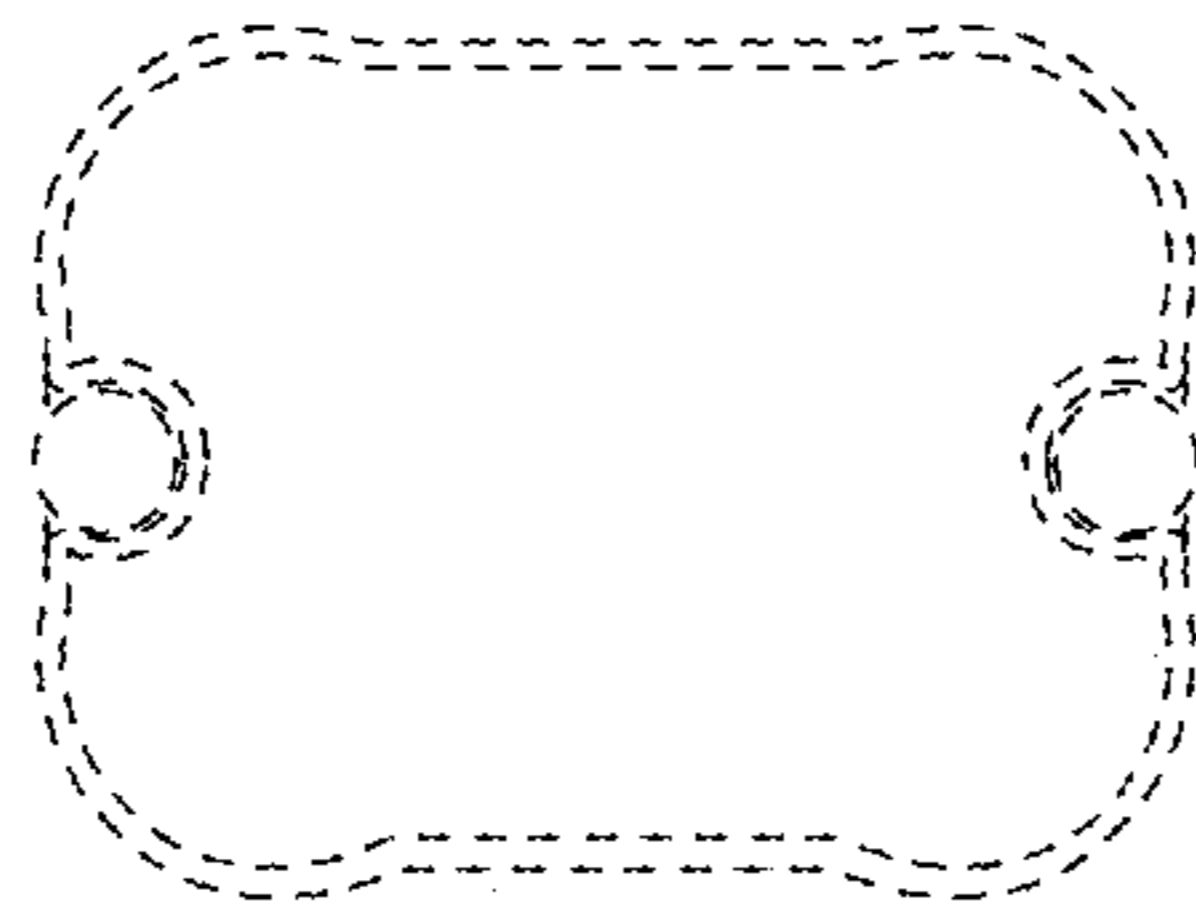


FIG. 5

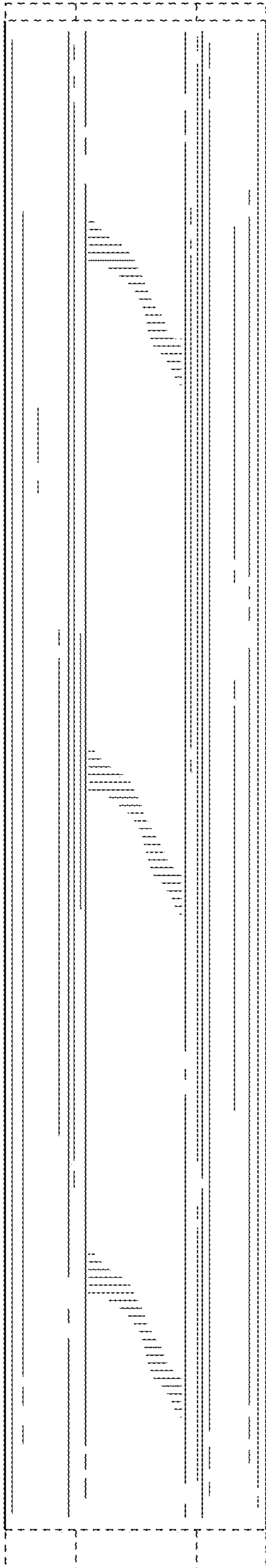


FIG. 6

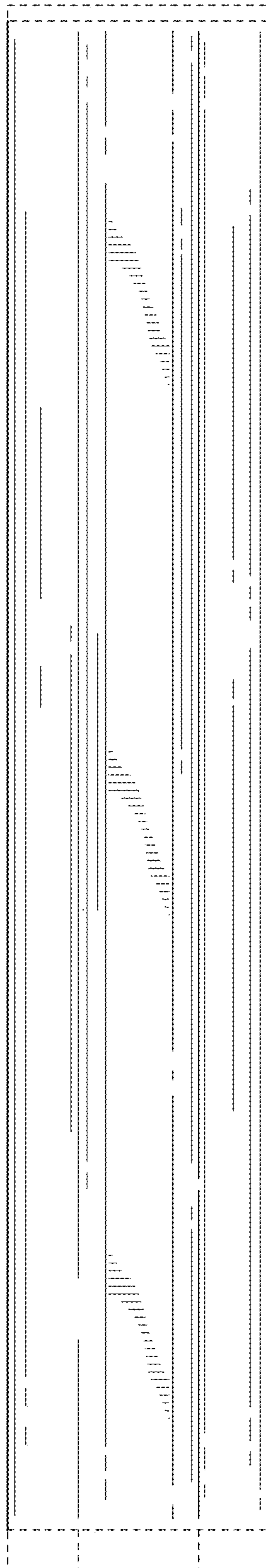


FIG. 7