



US00D930574S

(12) **United States Design Patent** (10) **Patent No.:** **US D930,574 S**  
**Schramm et al.** (45) **Date of Patent:** **\*\* Sep. 14, 2021**

(54) **BATTERY**  
(71) Applicant: **Robert Bosch GmbH**, Stuttgart (DE)  
(72) Inventors: **Simone Schramm**, Tuebingen (DE);  
**Simon Buck**, St. Johann (DE); **Wolf Zahn**, Stuttgart (DE)  
(73) Assignee: **Robert Bosch GmbH**, Stuttgart (DE)  
(\*\*) Term: **15 Years**

D664,092 S \* 7/2012 Gea Suarez ..... D13/119  
D674,746 S \* 1/2013 Zhang ..... D13/102  
D720,291 S \* 12/2014 Liu ..... D13/119  
D729,162 S \* 5/2015 Liu ..... D13/119  
D751,978 S \* 3/2016 Hong ..... D13/103  
D751,979 S \* 3/2016 Hong ..... D13/103  
D780,113 S \* 2/2017 Xianxi ..... D13/103  
D813,155 S \* 3/2018 Yamada ..... D13/103  
D826,845 S \* 8/2018 Greiner ..... D13/103  
D826,846 S \* 8/2018 Greiner ..... D13/103

(Continued)

(21) Appl. No.: **29/712,352**  
(22) Filed: **Nov. 7, 2019**

FOREIGN PATENT DOCUMENTS

CN 304777279 \* 8/2018  
CN 306460064 \* 4/2021

(Continued)

(30) **Foreign Application Priority Data**  
May 8, 2019 (EM) ..... 006434189

*Primary Examiner* — Rosemary K Tarcza  
*Assistant Examiner* — Seth David Kumpf  
(74) *Attorney, Agent, or Firm* — Maginot, Moore & Beck LLP

(51) **LOC (13) Cl.** ..... **13-02**  
(52) **U.S. Cl.**  
USPC ..... **D13/103**

(57) **CLAIM**

The ornamental design for a battery, as shown and described.

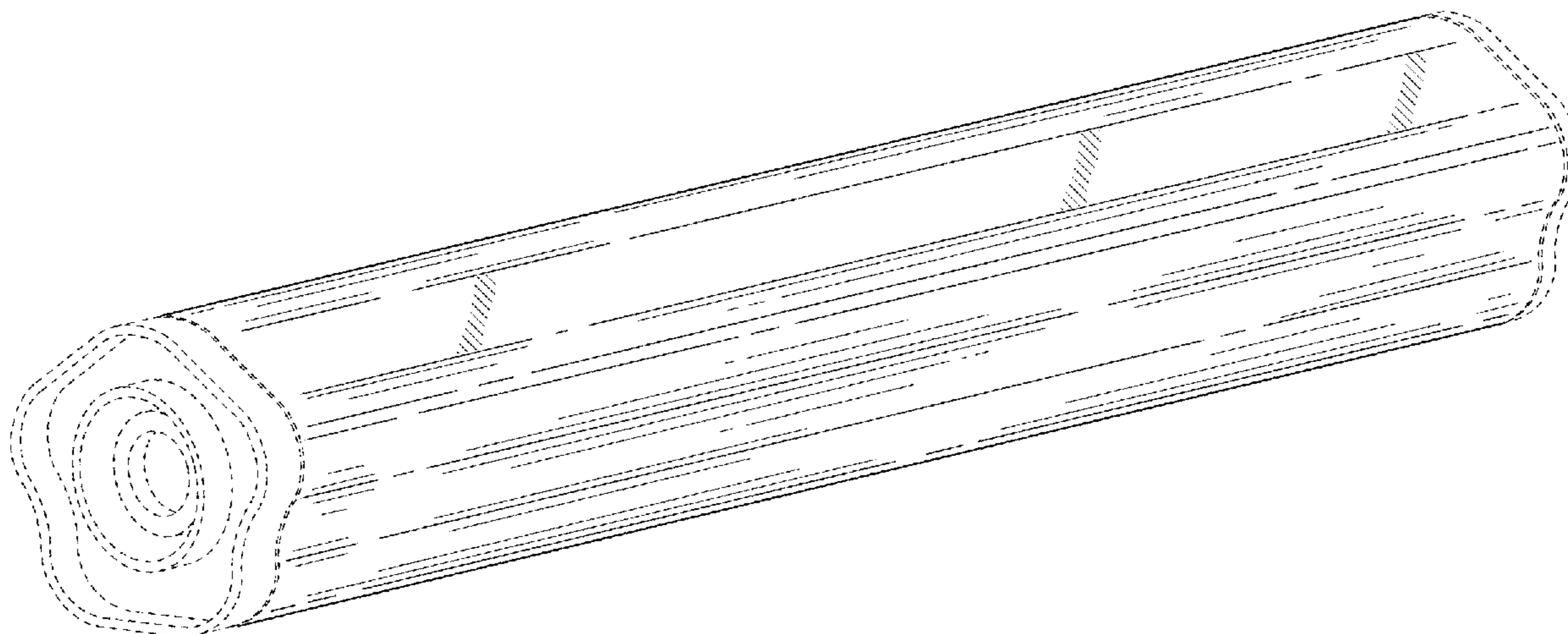
(58) **Field of Classification Search**  
USPC ..... D13/102, 103, 104, 105, 106, 107, 108,  
D13/110, 118, 119, 184, 199; D3/273,  
D3/274, 302, 201, 264  
CPC ..... Y02E 60/12; Y02E 60/122; Y02E 60/124;  
Y02E 60/50; H01M 10/4257; H01M  
10/0436; H01M 10/48; H01M 2/02;  
H01M 2/022; H01M 2/0202; H01M  
2/0207; H01M 2/0212; H01M 2/1061;  
H01M 2/1022; H01M 2/1055; H01M  
2/1066; H01M 2/105; H01M 2/204;  
H01M 2/04; H01M 2/0404; H01M  
2/0406; H01M 2/0465; H01M 2/06  
See application file for complete search history.

**DESCRIPTION**

FIG. 1 is a perspective view of a battery showing our new design;  
FIG. 2 is a right side elevational view of the battery of FIG. 1;  
FIG. 3 is a left side elevational view of the battery of FIG. 1;  
FIG. 4 is a front side elevational view of the battery of FIG. 1;  
FIG. 5 is a rear side elevational view of the battery of FIG. 1;  
FIG. 6 is a top plan view of the battery of FIG. 1; and,  
FIG. 7 is a bottom plan view of the battery of FIG. 1.  
The broken lines shown in the drawings illustrate portions of the battery that form no part of the claimed design.

(56) **References Cited**  
U.S. PATENT DOCUMENTS  
D401,901 S \* 12/1998 Bunyea ..... D13/119  
D621,860 S \* 8/2010 Fukano ..... D15/143

**1 Claim, 4 Drawing Sheets**



(56)

**References Cited**

U.S. PATENT DOCUMENTS

D837,155 S \* 1/2019 Yamada ..... D13/120  
D844,557 S \* 4/2019 Wang ..... D13/103  
D851,039 S \* 6/2019 Schumacher ..... D13/110  
D870,375 S \* 12/2019 Patil ..... D27/194

FOREIGN PATENT DOCUMENTS

CN 306460065 \* 4/2021  
CN 306460066 \* 4/2021  
KR 300761128.0000 \* 9/2014

\* cited by examiner

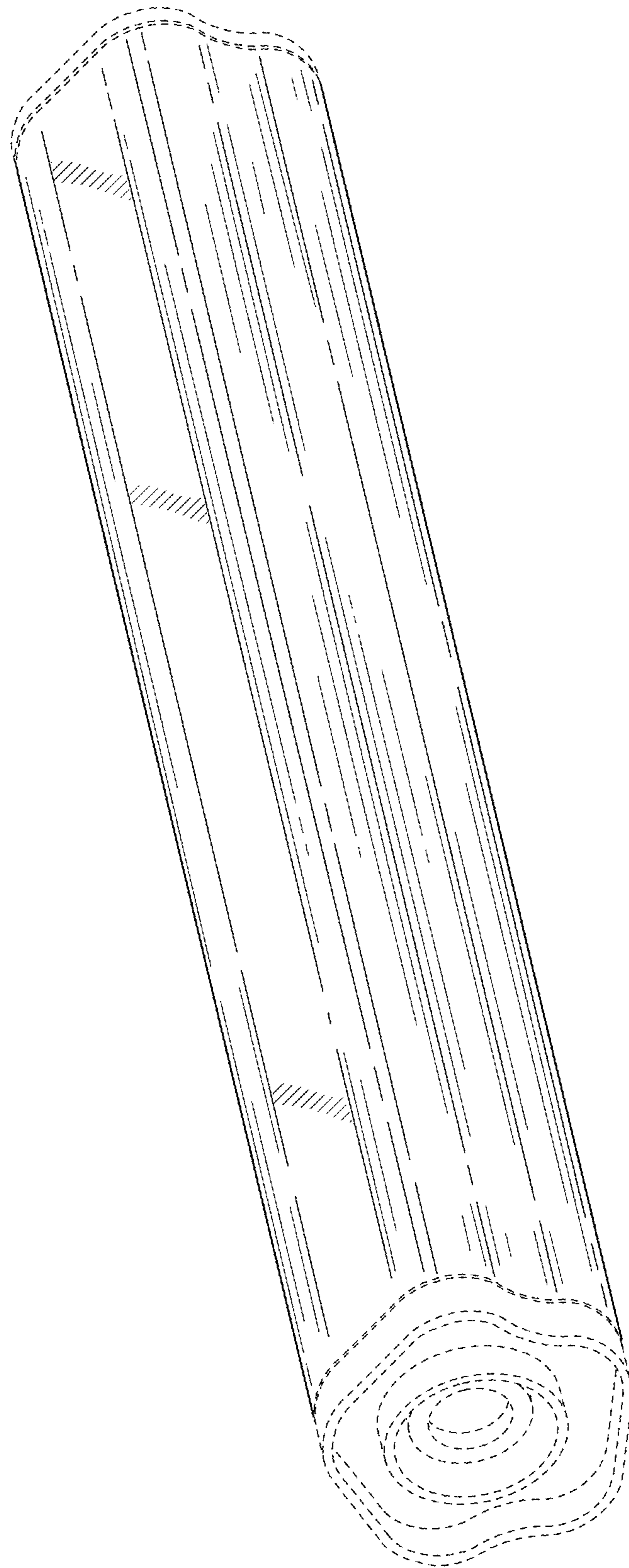


FIG. 1

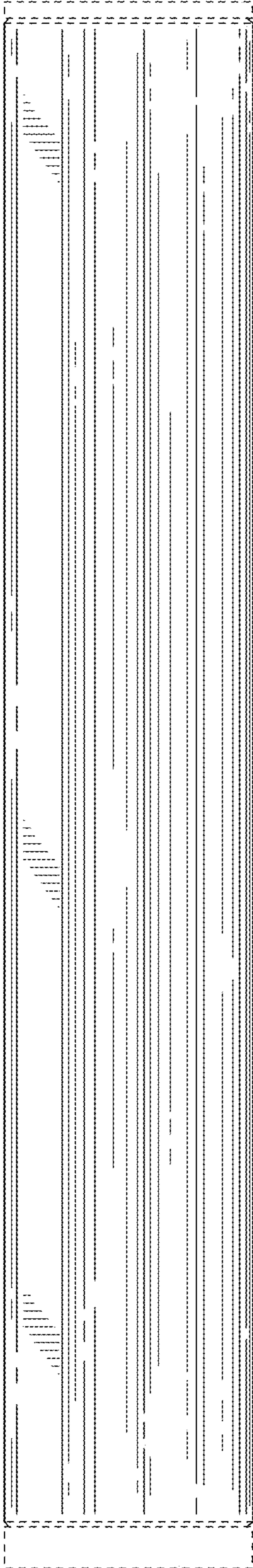


FIG. 2

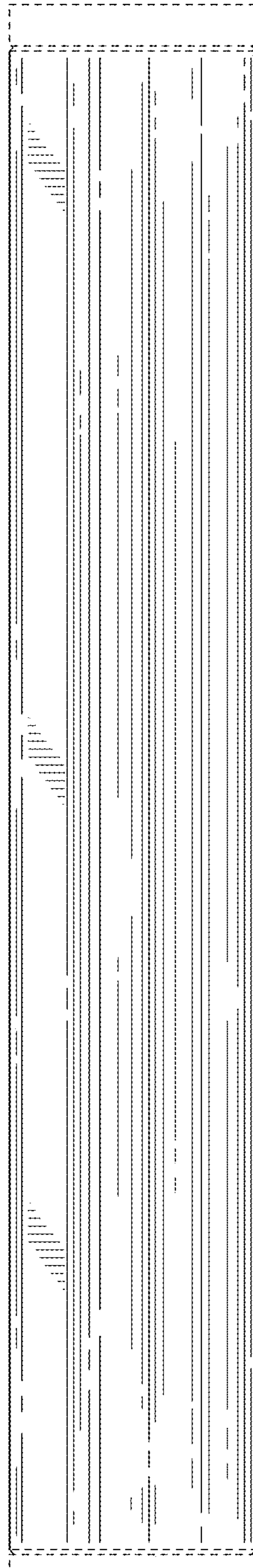


FIG. 3

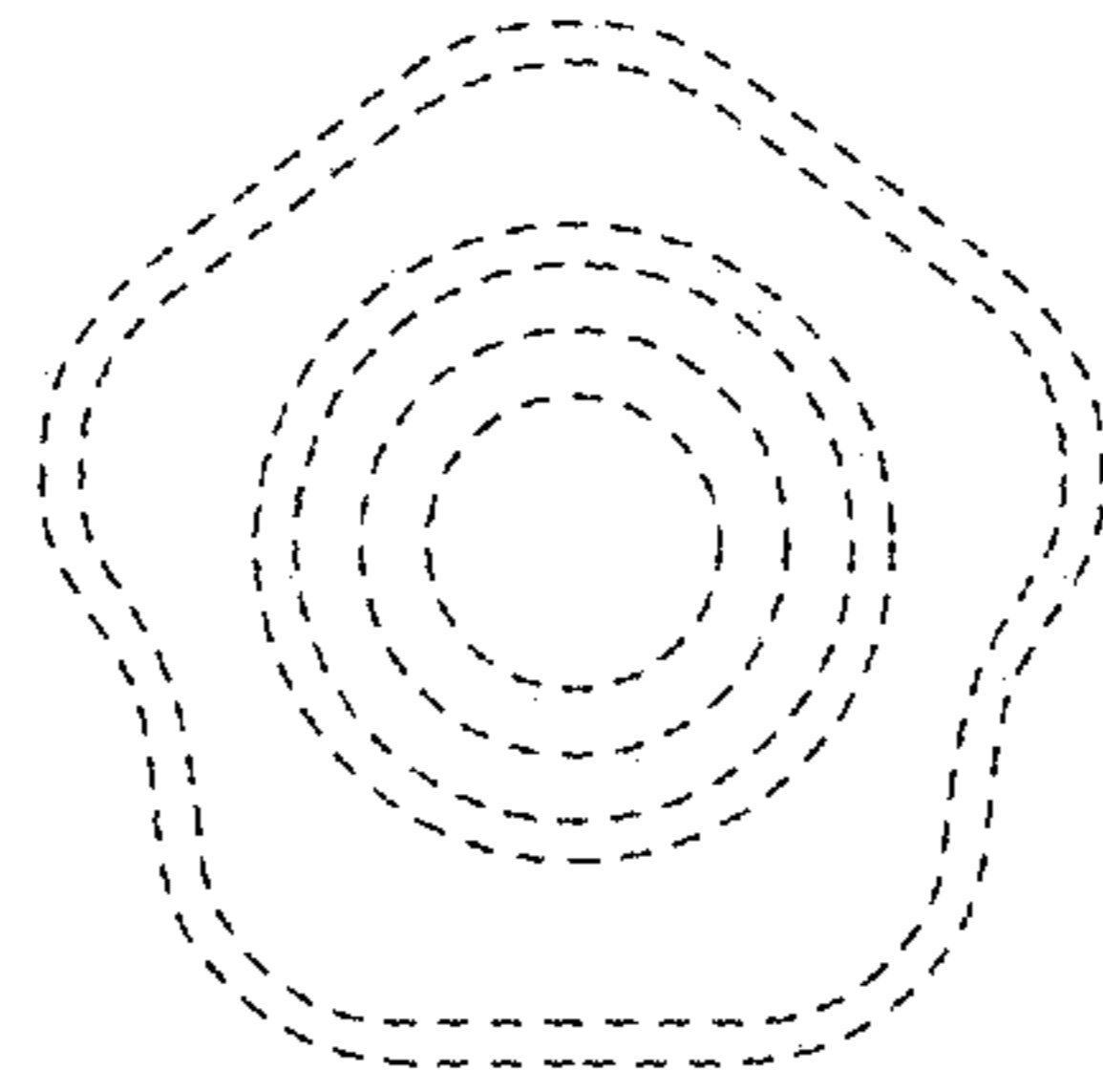


FIG. 4

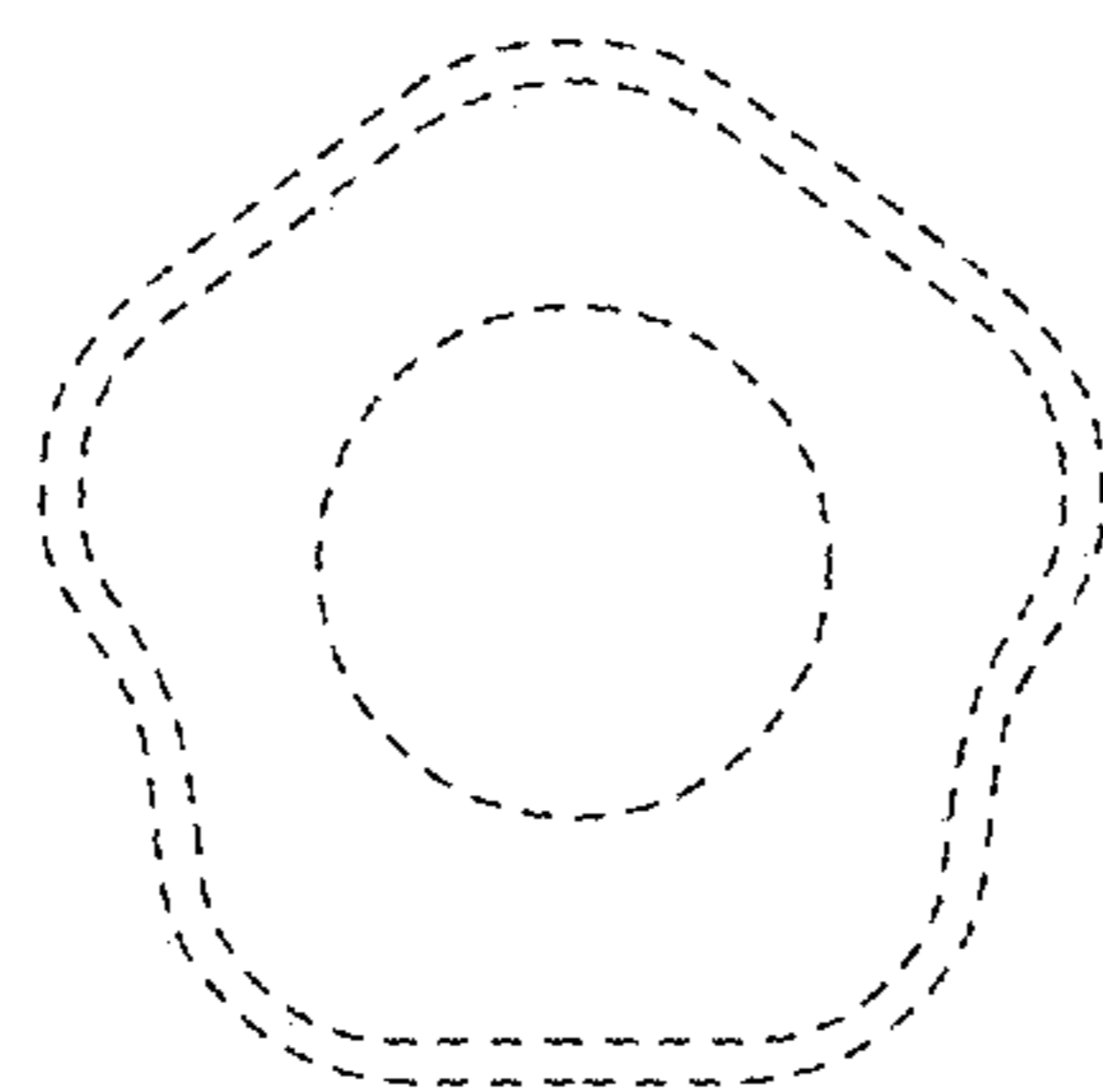


FIG. 5

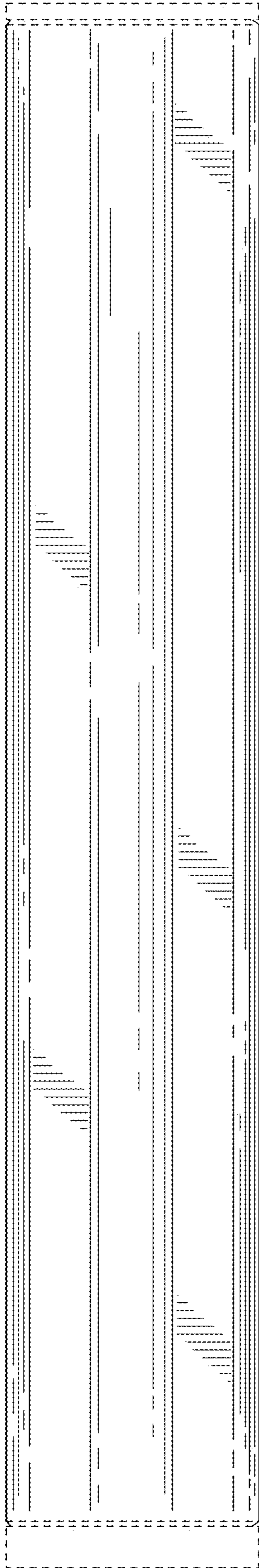


FIG. 6

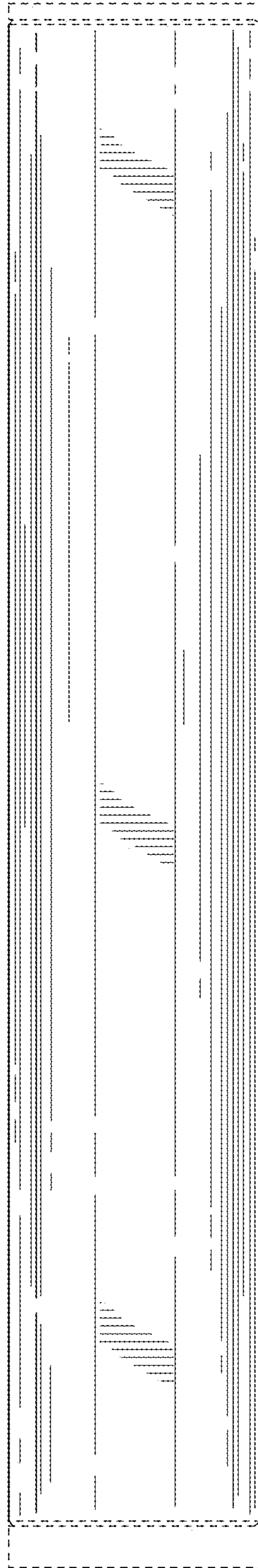


FIG. 7