

US00D930571S

(12) **United States Design Patent**  
**Zhong**

(10) **Patent No.:** **US D930,571 S**

(45) **Date of Patent:** **\*\* Sep. 14, 2021**

(54) **SOLAR ENERGY STORAGE DEVICE**

D664,499 S \* 7/2012 Workman ..... D13/107  
D695,680 S \* 12/2013 Workman ..... D13/103  
D764,403 S \* 8/2016 Azuma ..... D13/103

(71) Applicant: **ALLPOWERS INDUSTRIAL INTERNATIONAL LTD.**, Guangzhou (CN)

(Continued)

**FOREIGN PATENT DOCUMENTS**

(72) Inventor: **Xiaojun Zhong**, Guangzhou (CN)

CN 304431668 \* 12/2017  
CN 305509754 \* 12/2019

(73) Assignee: **ALLPOWERS INDUSTRIAL INTERNATIONAL, LTD.**, Guangzhou (CN)

**OTHER PUBLICATIONS**

(\*\*) Term: **15 Years**

“200W Portable Power Station, FlashFish 40800mAh Solar Generator with 110V AC Outlet/2 DC Ports/3 USB Ports, Backup Battery Pack Power Supply for CPAP Outdoor Adventure Load Trip Camping Emergency”, first accessed Apr. 13, 2021. Amazon.com [https://www.amazon.com/Portable-FlashFish-Generator-Adventure-Emergency/dp/B07T48L6CF/ref=asc\_df\_B07T48L6CF/?tag=hyprod-20&linkCode%E2%80%A6] (Year: 2021).\*

(Continued)

(21) Appl. No.: **29/722,043**

(22) Filed: **Jan. 24, 2020**

(51) **LOC (13) Cl.** ..... **13-02**

(52) **U.S. Cl.**  
USPC ..... **D13/102; D13/107**

(58) **Field of Classification Search**  
USPC ..... D13/103, 199, 107, 108, 110, 184, 102, D13/104, 105, 106, 118, 119, 123, 133; D15/9; D14/432, 434  
CPC ..... H02J 1/122; H02J 7/0045; H02J 7/0078; H02J 7/00714; H02J 7/00716; H02J 7/0025; H02J 7/0027; H02J 7/14; H02J 7/1461; H02M 7/003; H02M 7/42

*Primary Examiner* — Rosemary K Tarcza  
*Assistant Examiner* — Seth David Kumpf  
(74) *Attorney, Agent, or Firm* — Law Offices of Steven W. Weinrieb

See application file for complete search history.

(57) **CLAIM**

The ornamental design for a solar energy storage device, as shown and described.

**DESCRIPTION**

(56) **References Cited**

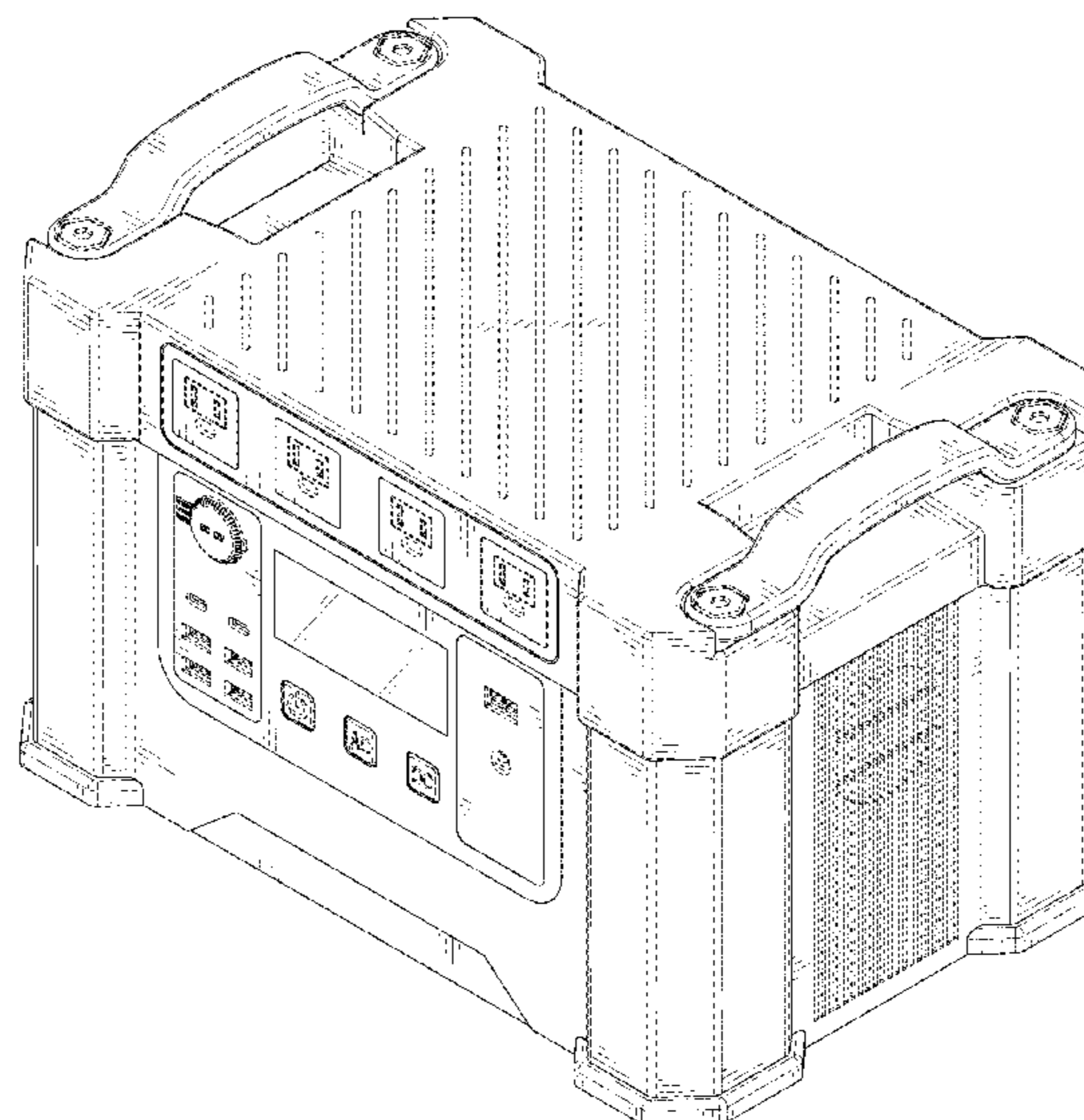
**U.S. PATENT DOCUMENTS**

D594,405 S \* 6/2009 Murray ..... D13/107  
D609,632 S \* 2/2010 Daniels ..... D13/107  
D609,633 S \* 2/2010 Daniels ..... D13/107  
D609,634 S \* 2/2010 Daniels ..... D13/107  
D609,635 S \* 2/2010 Daniels ..... D13/107  
D624,492 S \* 9/2010 Daniels ..... D13/107  
D624,493 S \* 9/2010 Daniels ..... D13/107  
D624,876 S \* 10/2010 Daniels ..... D13/107  
D634,706 S \* 3/2011 Takeno ..... D13/107

FIG. 1 is a front, right side, top perspective view of a solar energy storage device showing my new design; FIG. 2 is a rear, left side, bottom perspective view thereof; FIG. 3 is a front elevational view thereof; FIG. 4 is a rear elevational view thereof; FIG. 5 is a left side elevational view thereof; FIG. 6 is a right side elevational view thereof; FIG. 7 is a top plan view thereof; and, FIG. 8 is a bottom plan view thereof.

The broken lines depict portions of the solar energy storage device that form no part of the claimed design.

**1 Claim, 8 Drawing Sheets**



(56)

**References Cited**

## U.S. PATENT DOCUMENTS

D820,201 S \* 6/2018 Delgatty ..... D13/103  
D837,149 S \* 1/2019 Yin ..... D13/108  
D842,240 S \* 3/2019 Lai ..... D13/107  
D851,033 S \* 6/2019 Yuk ..... D13/108  
D870,043 S \* 12/2019 Xu ..... D13/110

## OTHER PUBLICATIONS

“BALDR Portable Power Station 330W, Portable Solar Generators for home use, CPAP Backup Battery with QC3.0&TypeC SOS Flashlight, 110V AC Outlet for Outdoor Camping Travel Emergency”, first available Jan. 17, 2020. Amazon.com [[https://www.amazon.com/BALDR-Portable-Generators-Flashlight-Emergency/dp/B07YWWVRWD/ref=sr\\_1\\_1\\_sspa?dchild=1&keywords=Power%2BSou%E2%80%A6&th=1](https://www.amazon.com/BALDR-Portable-Generators-Flashlight-Emergency/dp/B07YWWVRWD/ref=sr_1_1_sspa?dchild=1&keywords=Power%2BSou%E2%80%A6&th=1)] (Year: 2020).\*

“Goal Zero—Yeti 200X Battery-Powered 187Wh Capacity Portable Generator—Black/Gray”, first accessed Apr. 13, 2021. BestBuy.com [<https://www.bestbuy.com/site/goal-zero-yeti-200x-battery-powered-187wh-capacity-portable-generator-black-gray/6409005.p?skuId=6409005&ref=212%E2%80%A6>] (Year: 2021).\*

“Goal Zero Yeti 500X—external battery pack—300 Watt—Li-Ion—46.8 Ah—”, first accessed Apr. 13, 2021. CDW.com [[https://www.cdw.com/product/Goal-Zero-Yeti-500X-external-battery-pack-300-Watt-Li-Ion-46.8-Ah/6079390?cm\\_cat=google&cm\\_ite=6079390&cm\\_pl%E2%80%A6](https://www.cdw.com/product/Goal-Zero-Yeti-500X-external-battery-pack-300-Watt-Li-Ion-46.8-Ah/6079390?cm_cat=google&cm_ite=6079390&cm_pl%E2%80%A6)] (Year: 2021).\*

“Goal Zero Yeti 6000X 6000 Watt Lithium-Ion Portable Power Station Generator”, first accessed Apr. 13, 2021. MowersAtJacks.com [[https://www.mowersatjacks.com/product-details/goal-zero/36500?gclid=eaiaiqobchmi58tdxmz77wivludich1v0wdbeaqyayabegjlyvd\\_bwe](https://www.mowersatjacks.com/product-details/goal-zero/36500?gclid=eaiaiqobchmi58tdxmz77wivludich1v0wdbeaqyayabegjlyvd_bwe)] (Year: 2021).\*

\* cited by examiner

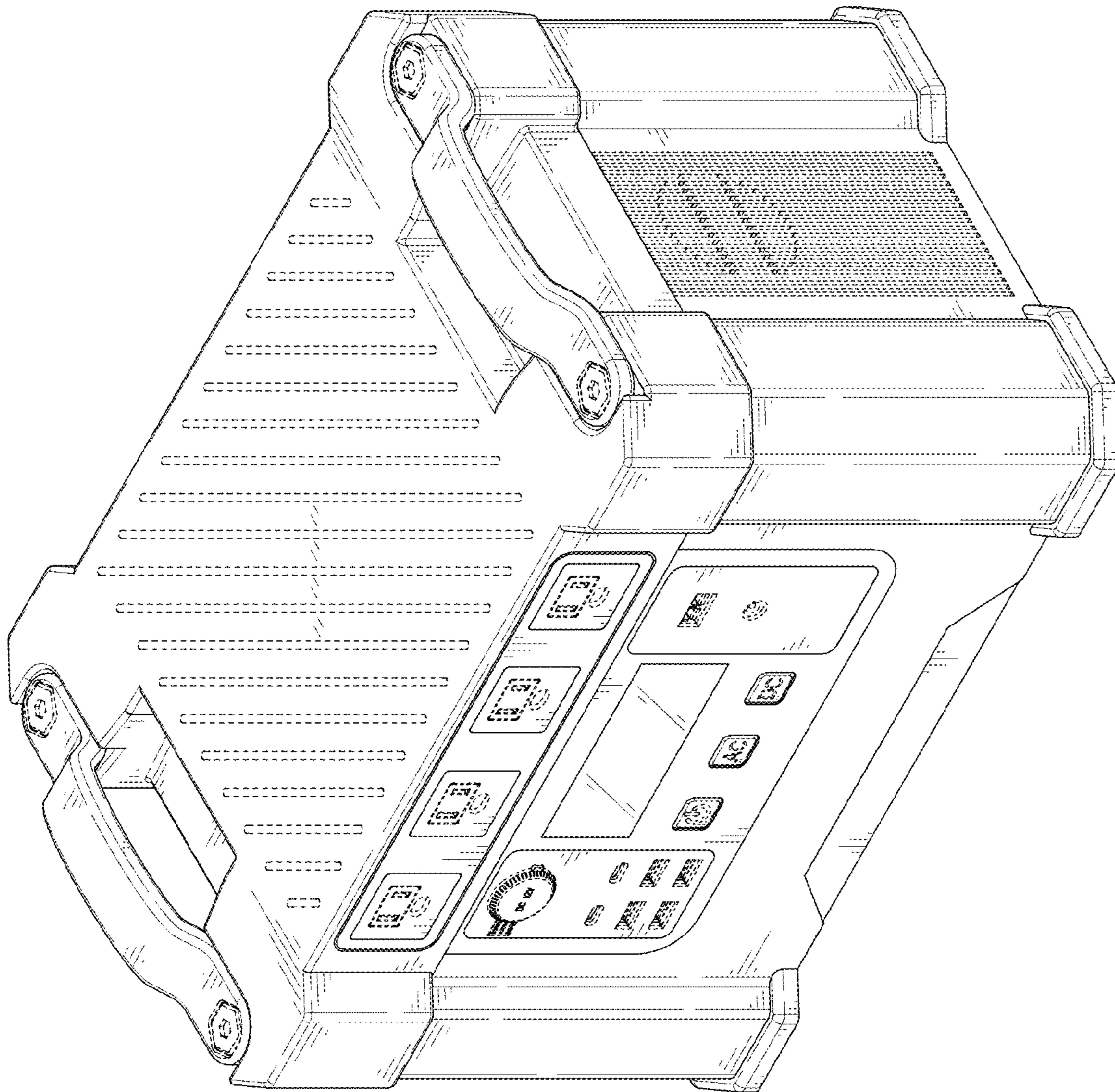


FIG. 1

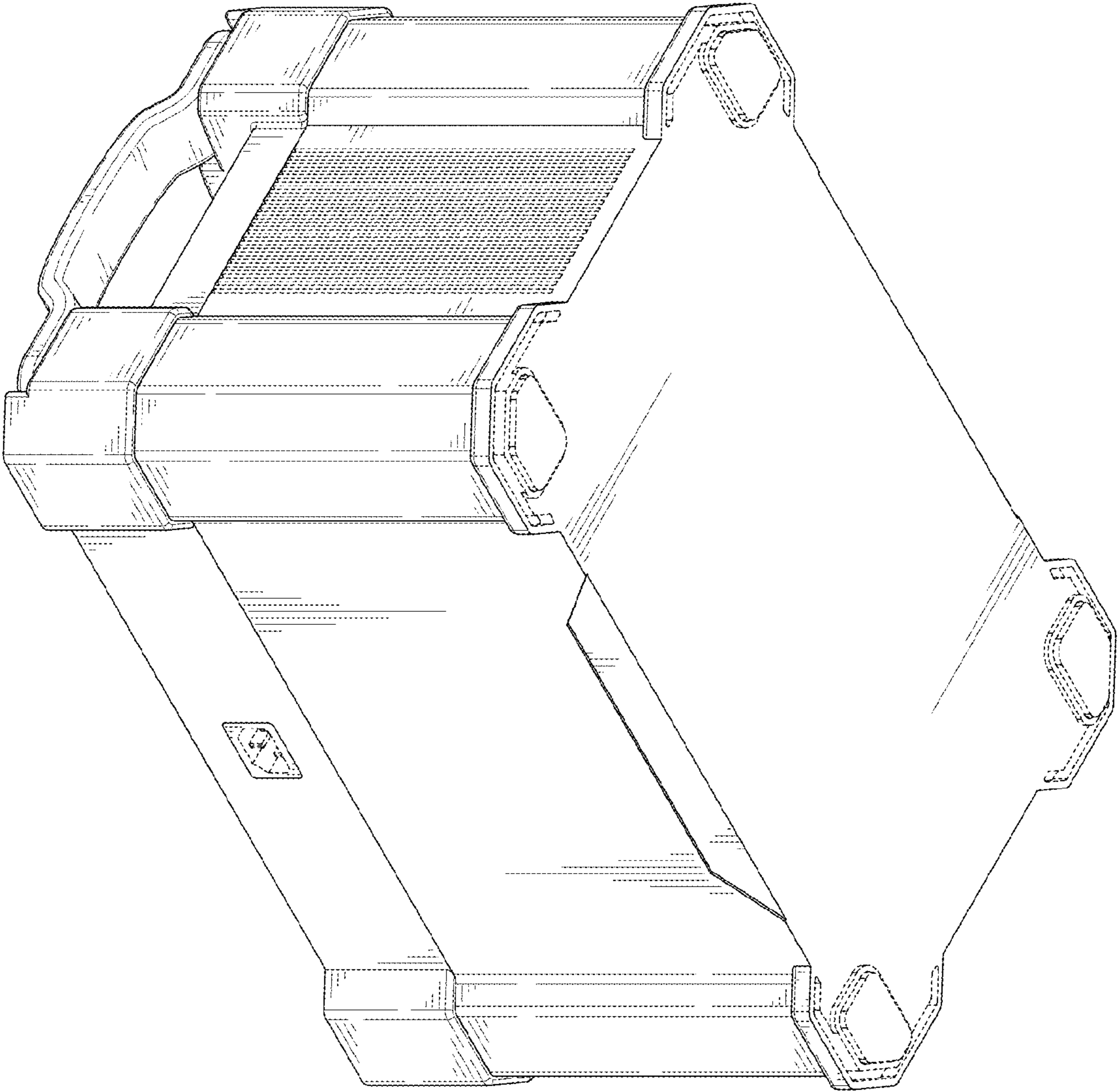


FIG. 2

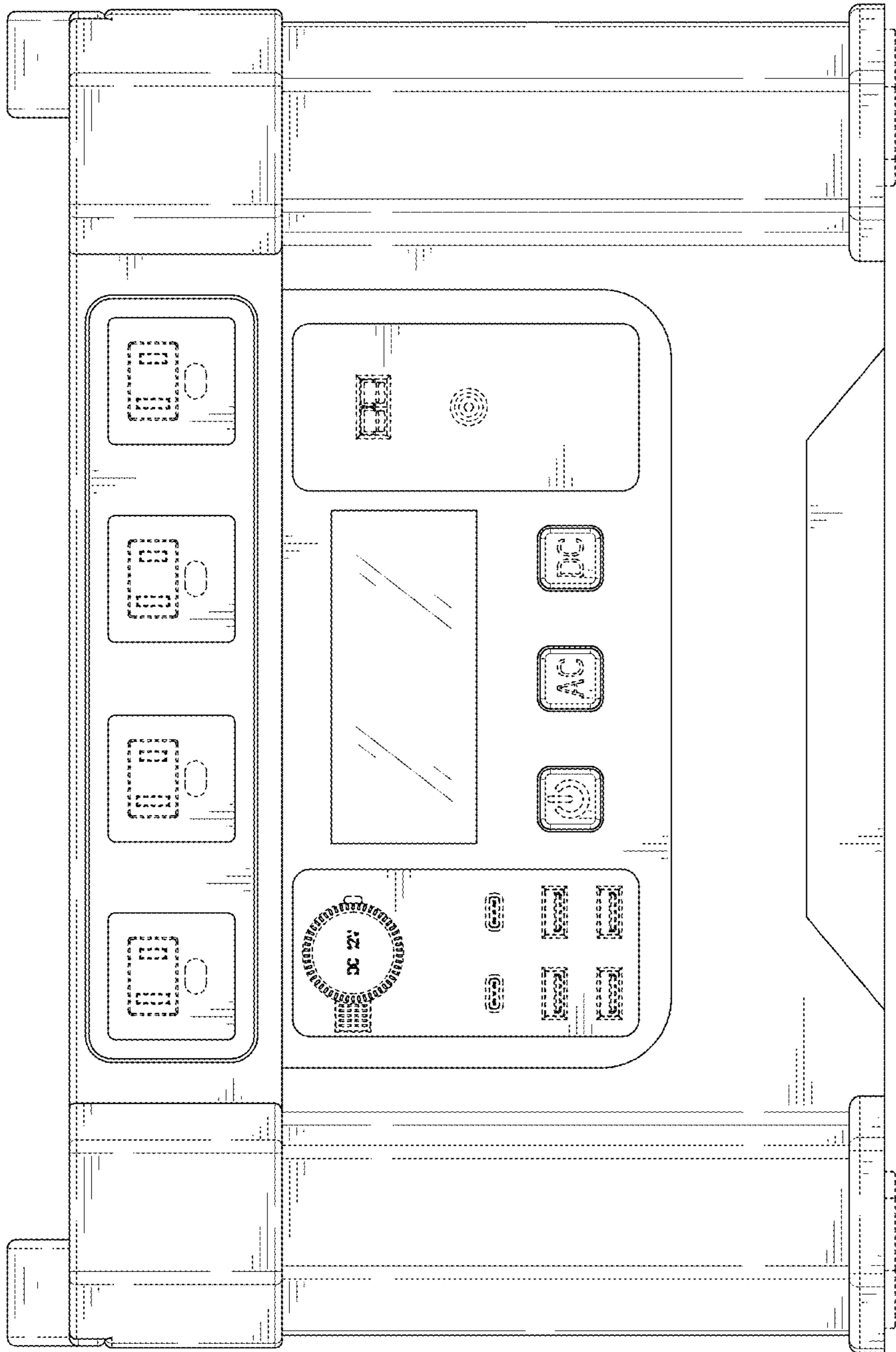


FIG. 3

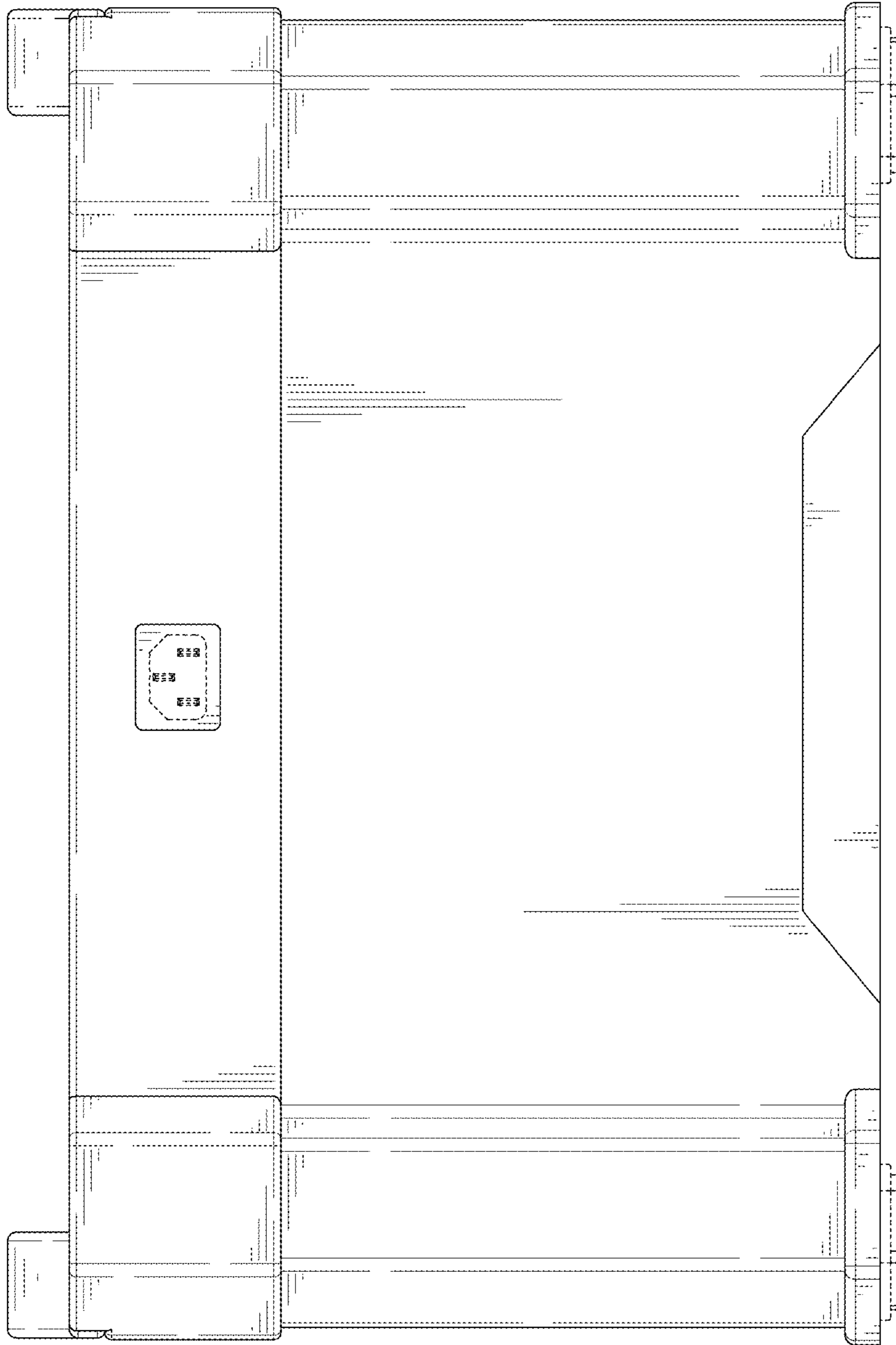


FIG. 4

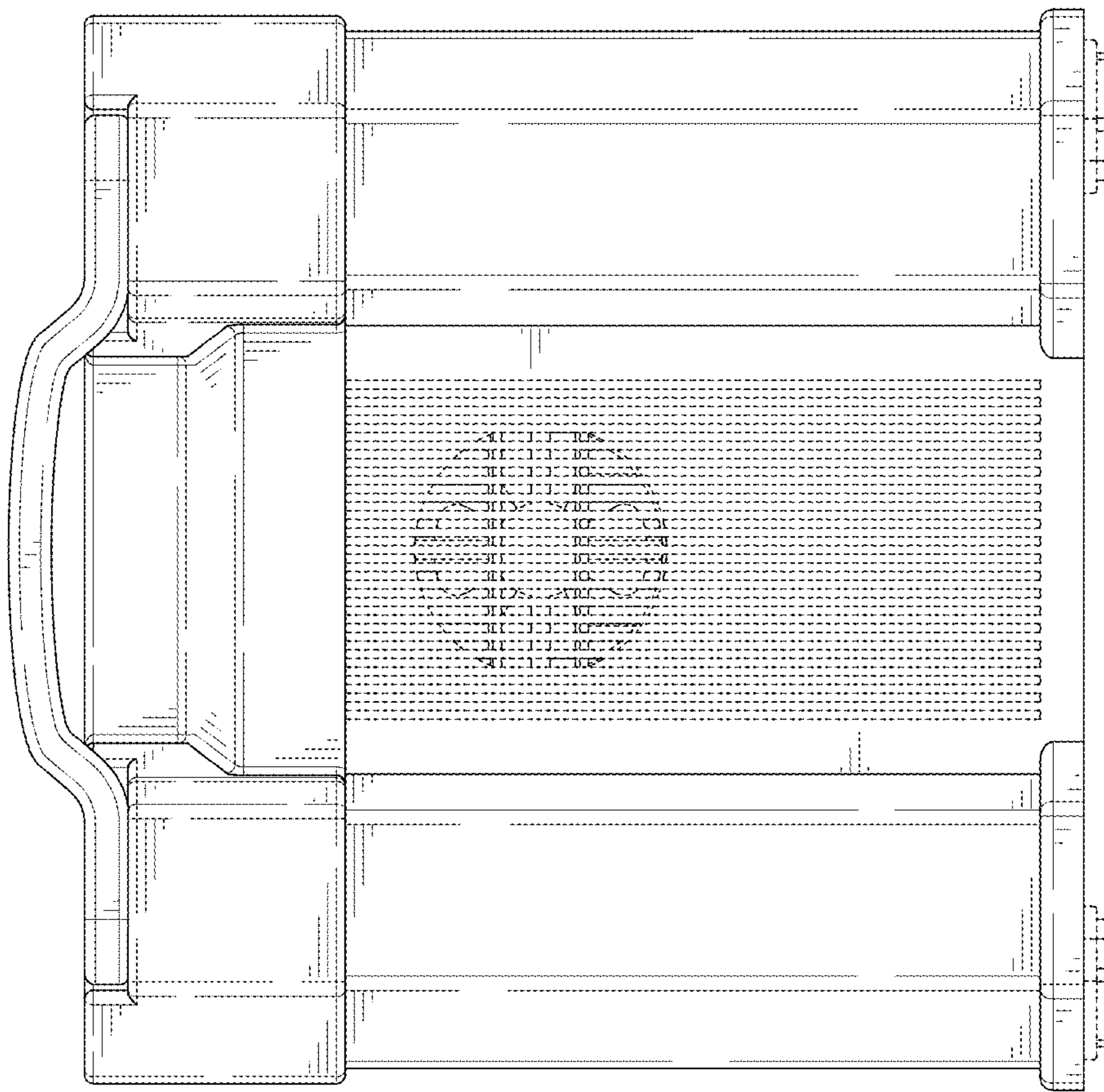


FIG. 5

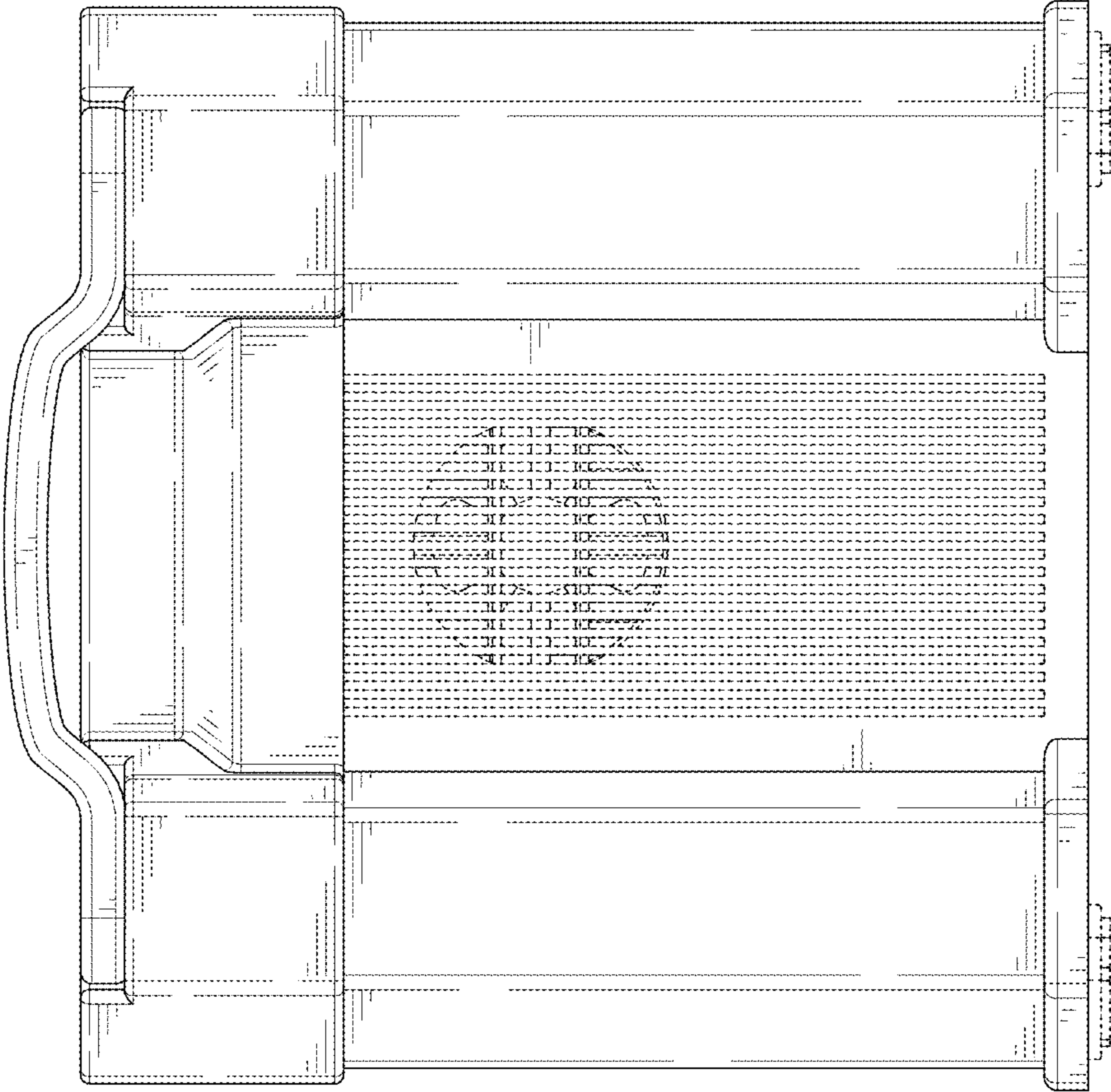


FIG. 6



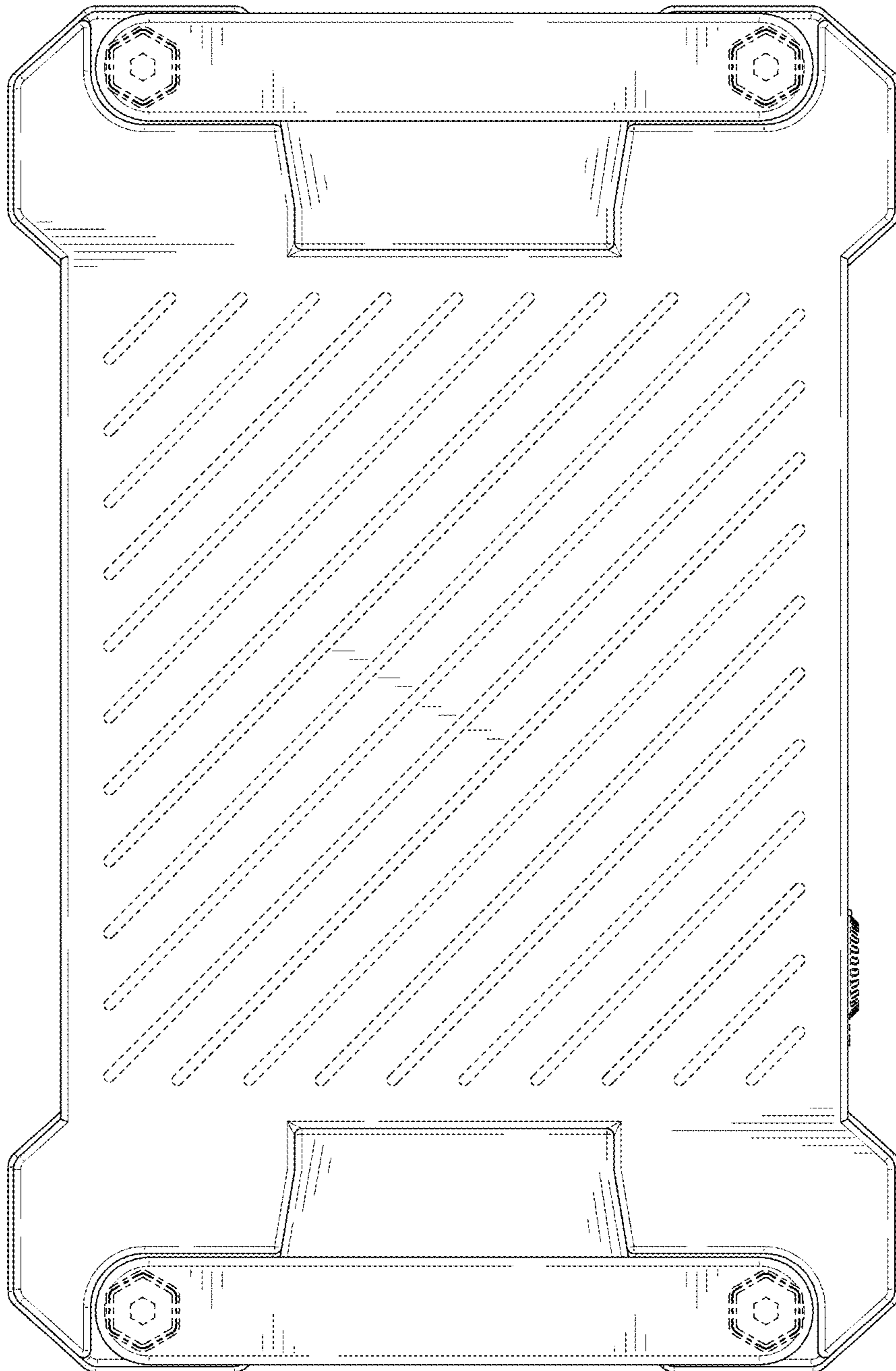


FIG. 7

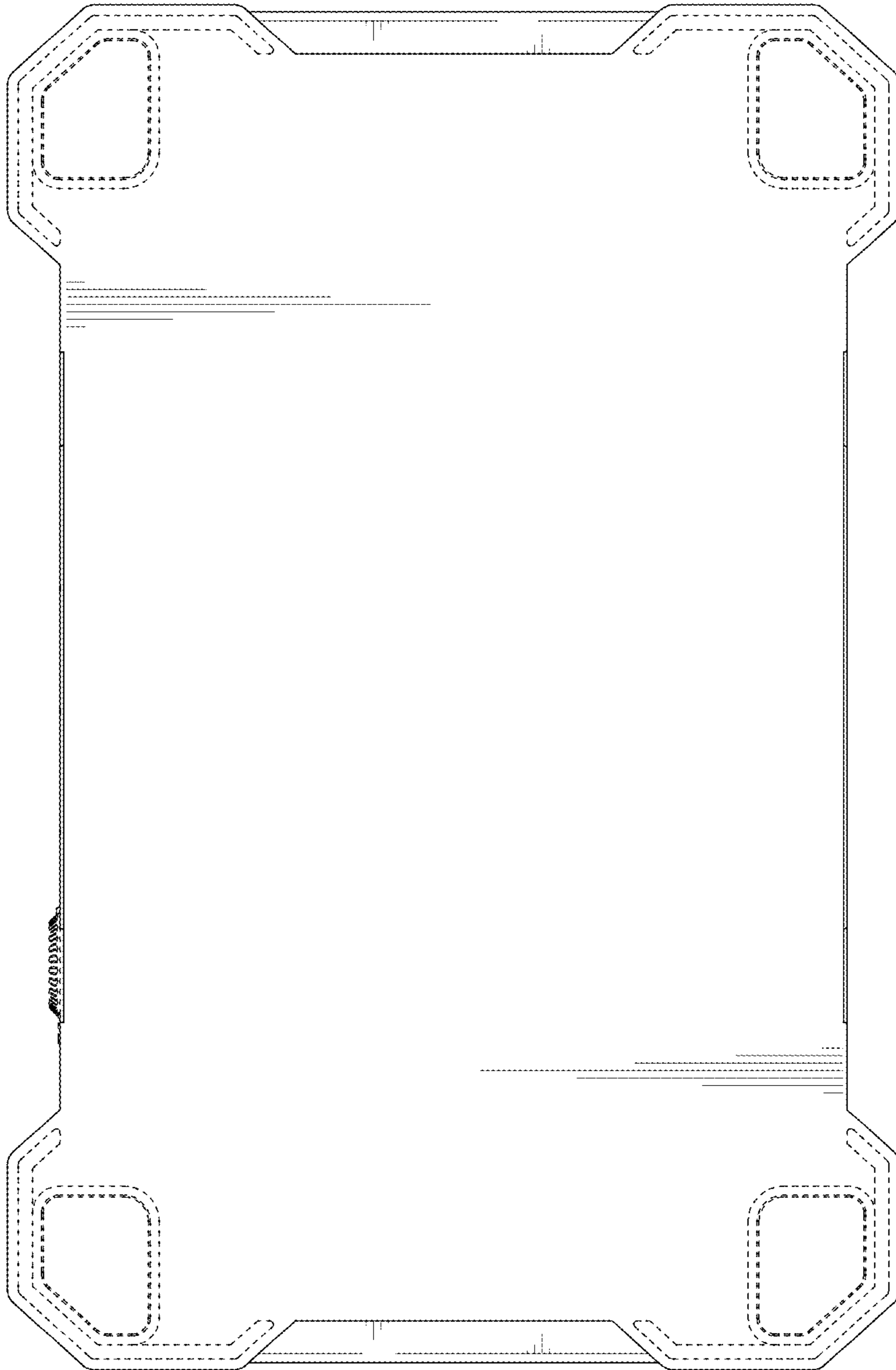


FIG. 8