



US00D930568S

(12) **United States Design Patent** (10) **Patent No.:** **US D930,568 S**
Rivera (45) **Date of Patent:** **** Sep. 14, 2021**

(54) **TIRE SCRAPER**
(71) Applicant: **Robert Rivera**, Knott, TX (US)
(72) Inventor: **Robert Rivera**, Knott, TX (US)
(**) Term: **15 Years**
(21) Appl. No.: **29/652,644**
(22) Filed: **Oct. 15, 2020**

D628,035 S * 11/2010 Paige D8/14
D650,320 S * 12/2011 Maruyama D12/400
D681,440 S * 5/2013 Yu D8/396
D701,101 S * 3/2014 Krompiec D8/29.1
D727,123 S * 4/2015 Oas D8/31
D727,700 S * 4/2015 Huang D8/31
D789,778 S * 6/2017 White, Sr. D8/396
D791,058 S * 7/2017 Laatz D12/223
D799,771 S * 10/2017 Toll D32/46
D802,238 S * 11/2017 McBrady D32/43
D818,232 S * 5/2018 Weisenfeld D32/46
D859,952 S * 9/2019 Ulloa D8/71
2010/0306947 A1* 12/2010 White A47L 1/06
15/236.02

Related U.S. Application Data

(63) Continuation-in-part of application No. 29/723,510,
filed on Feb. 7, 2020.
(51) **LOC (13) Cl.** **12-15**
(52) **U.S. Cl.**
USPC **D12/604**
(58) **Field of Classification Search**
USPC D12/604, 400, 223; D8/396, 31, 45;
D32/46, 40
CPC .. B60S 1/68; B60S 3/045; A47L 13/08; A47L
13/022; A47L 17/06; B08B 1/005; B44D
3/162
See application file for complete search history.

* cited by examiner

Primary Examiner — Michelle E. Wilson

Assistant Examiner — Clese Moore, Jr.

(74) *Attorney, Agent, or Firm* — Shannon Warren

(57) **CLAIM**

The ornamental design for a tire scraper, as shown and described.

DESCRIPTION

FIG. 1 illustrates a perspective overview of a tire scraper;
FIG. 2 illustrates a rear perspective overview thereof;
FIG. 3 illustrates a lower rear perspective view thereof;
FIG. 4 illustrates a lower front perspective view thereof;
FIG. 5 illustrates an elevated first side view thereof;
FIG. 6 illustrates an elevated rear view thereof;
FIG. 7 illustrates an elevated second side view thereof;
FIG. 8 illustrates an elevated top view thereof; and,
FIG. 9 illustrates an elevated bottom view thereof.

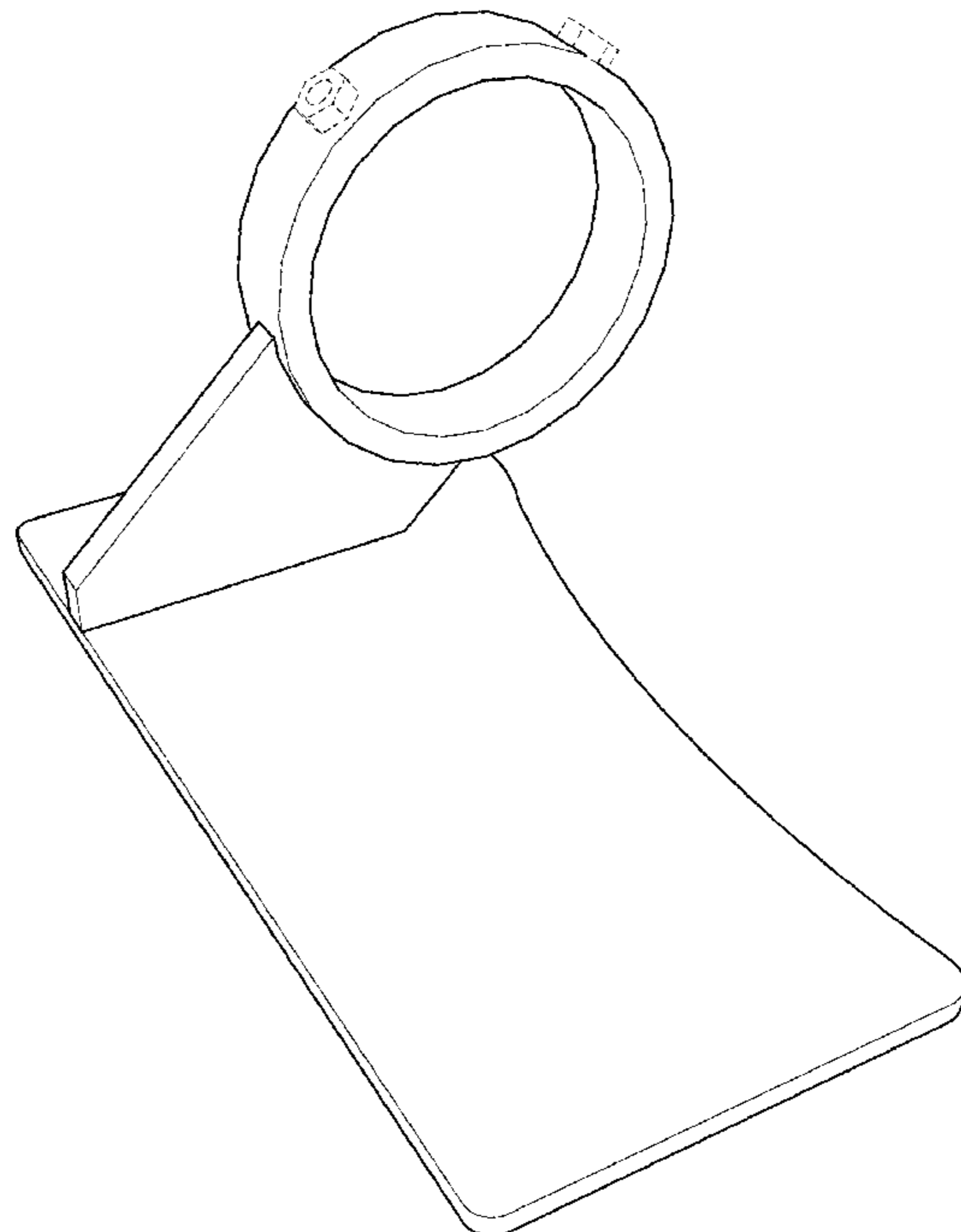
The broken lines found in FIGS. 1-8 of drawings form no part of the design to be patented.

1 Claim, 9 Drawing Sheets

(56) **References Cited**

U.S. PATENT DOCUMENTS

D123,051 S * 10/1940 Farmer D8/11
D341,070 S * 11/1993 Warren D8/11
5,430,906 A * 7/1995 Drury B60S 1/685
15/160
D368,344 S * 3/1996 Hansen D32/41
D411,440 S * 6/1999 Stahel D8/396
6,044,508 A * 4/2000 Chuang B25B 27/0071
157/1.3
D550,957 S * 9/2007 Erickson D3/229



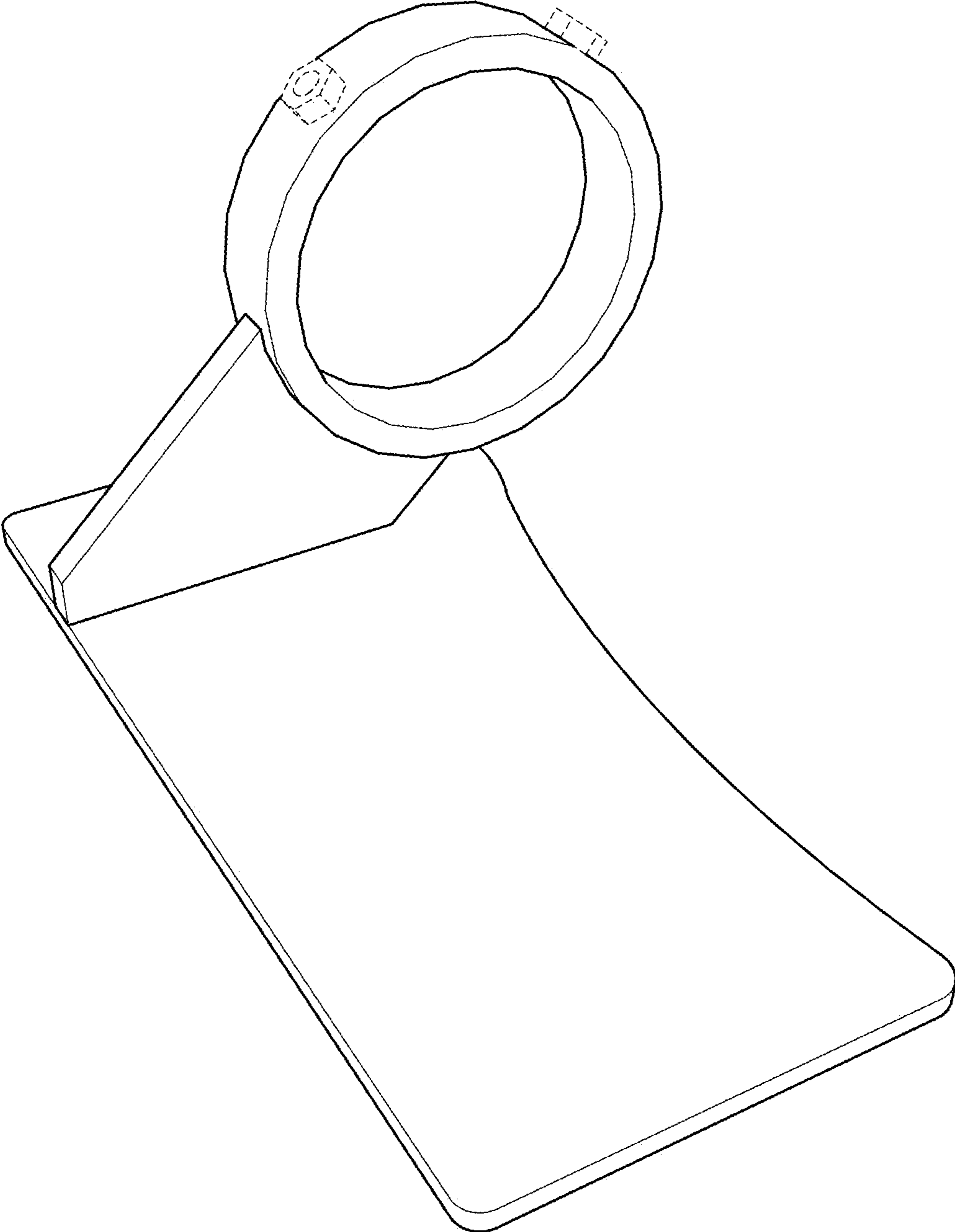


FIG. 1

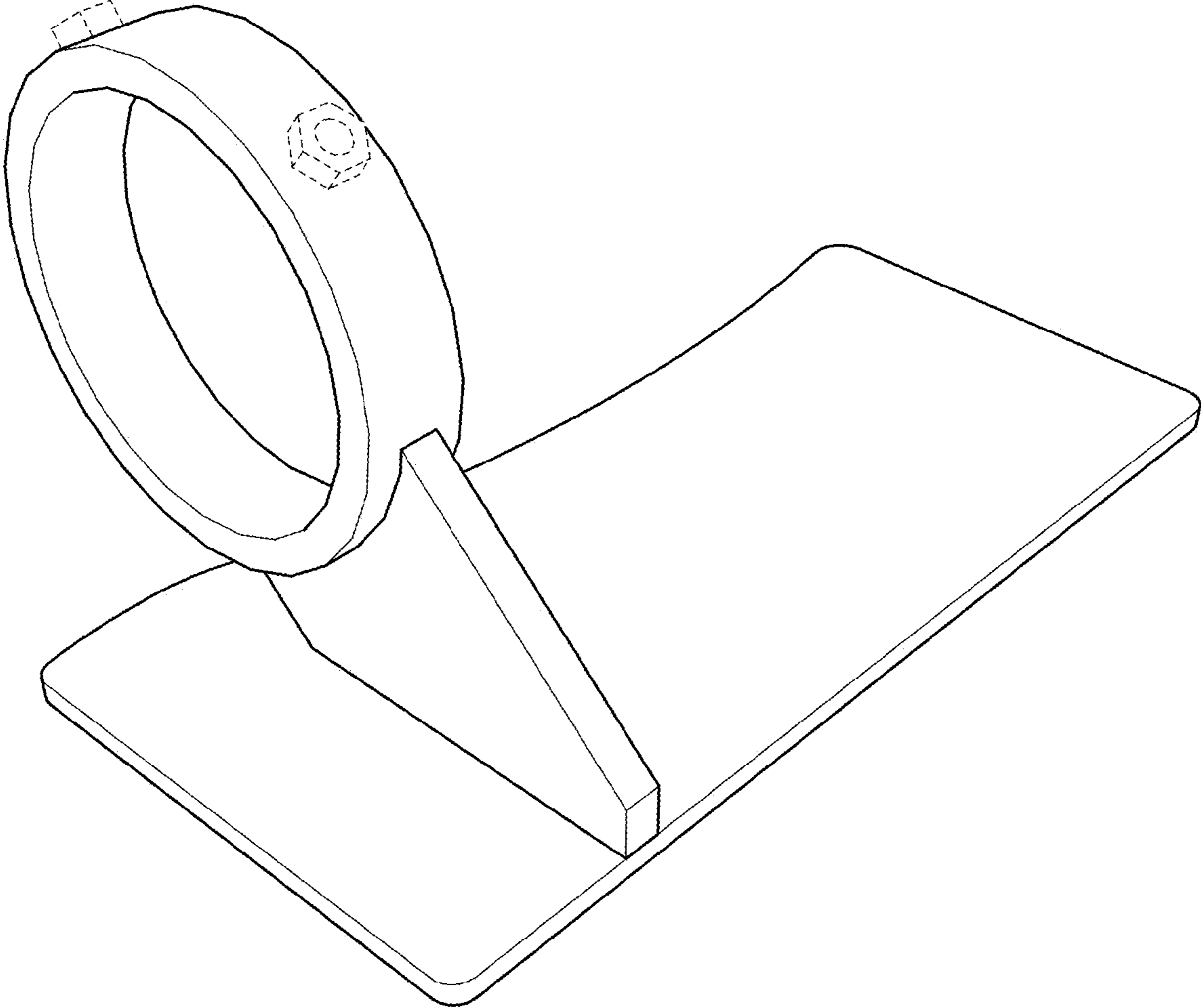


FIG. 2

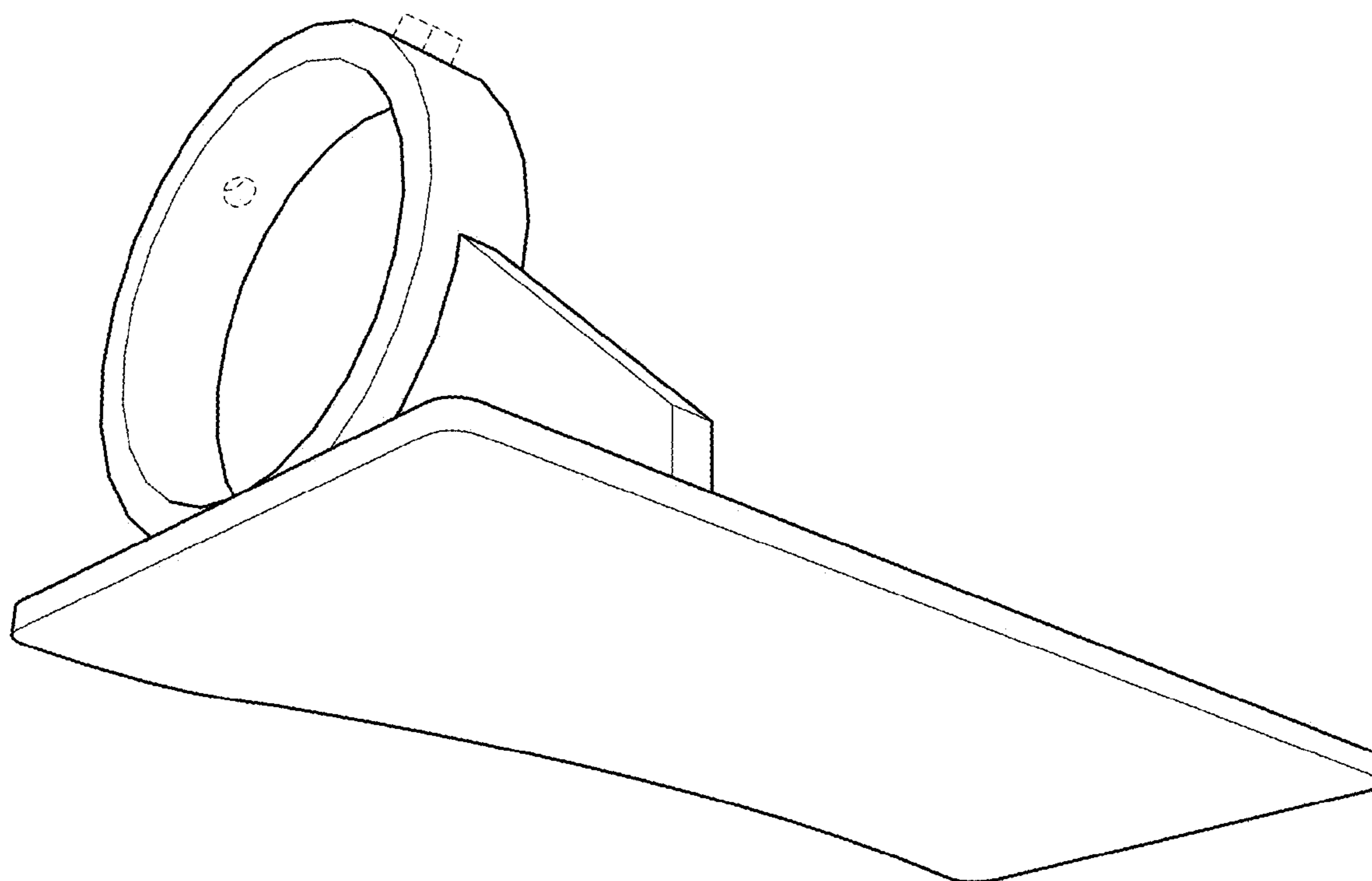


FIG. 3

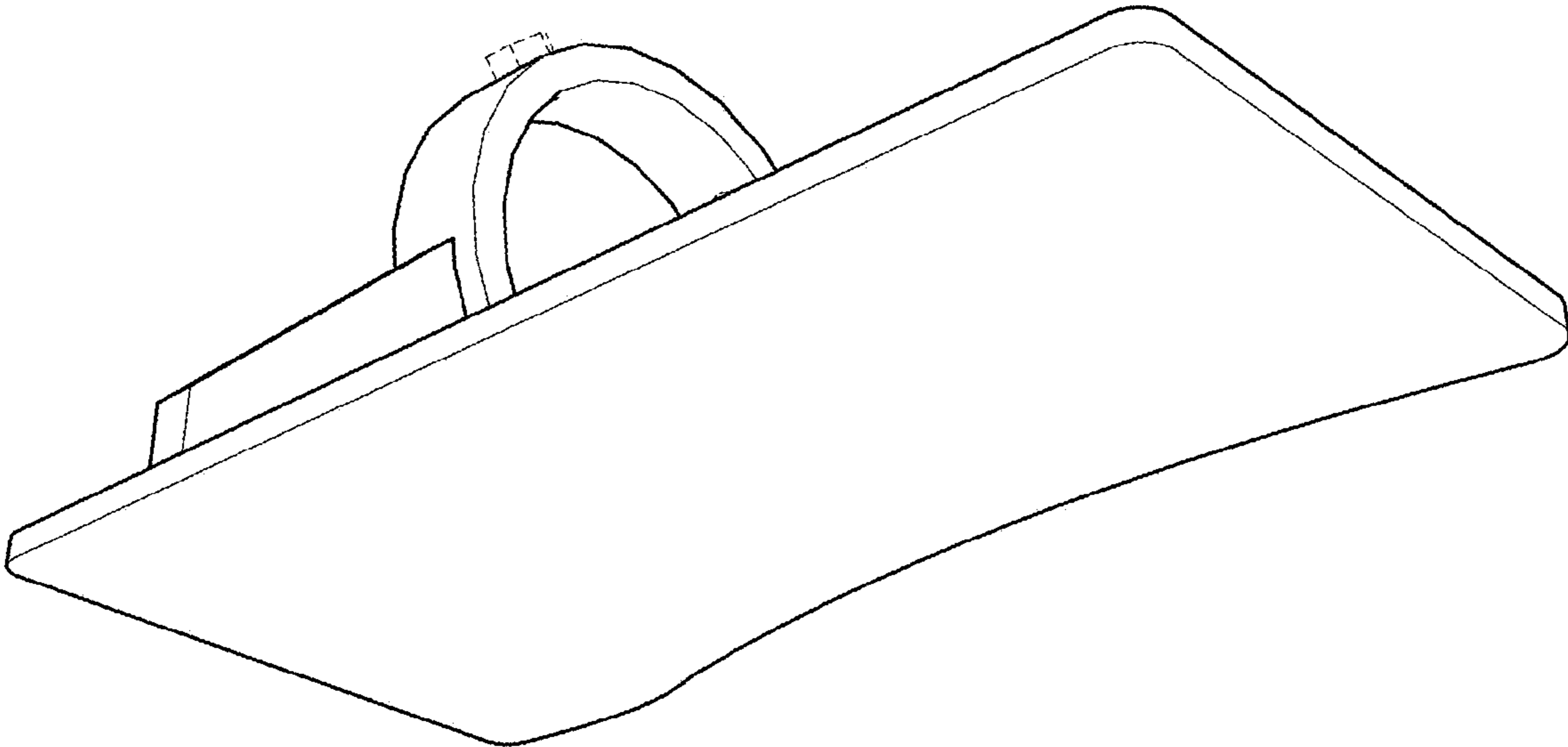


FIG. 4

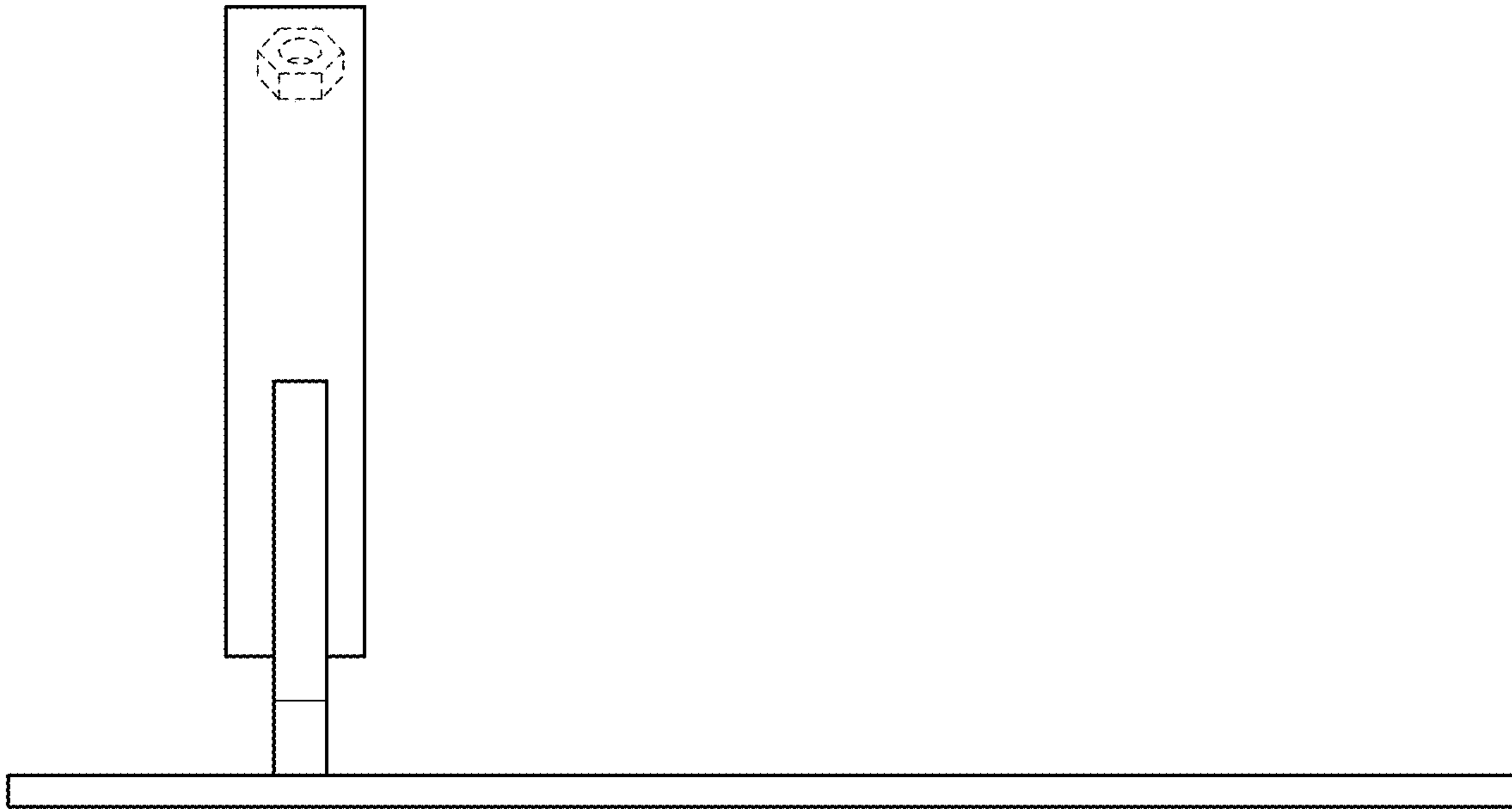


FIG. 5

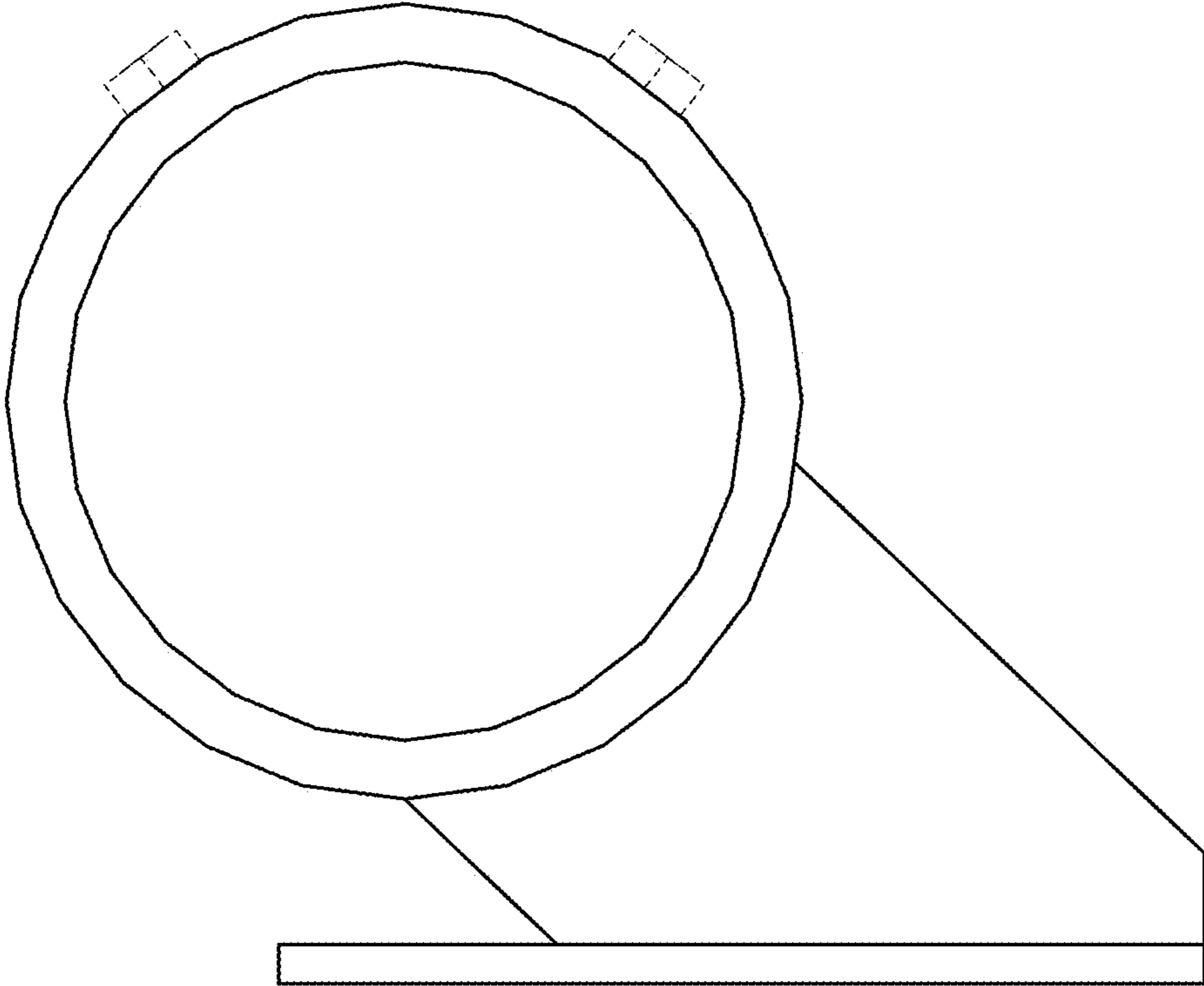


FIG. 6

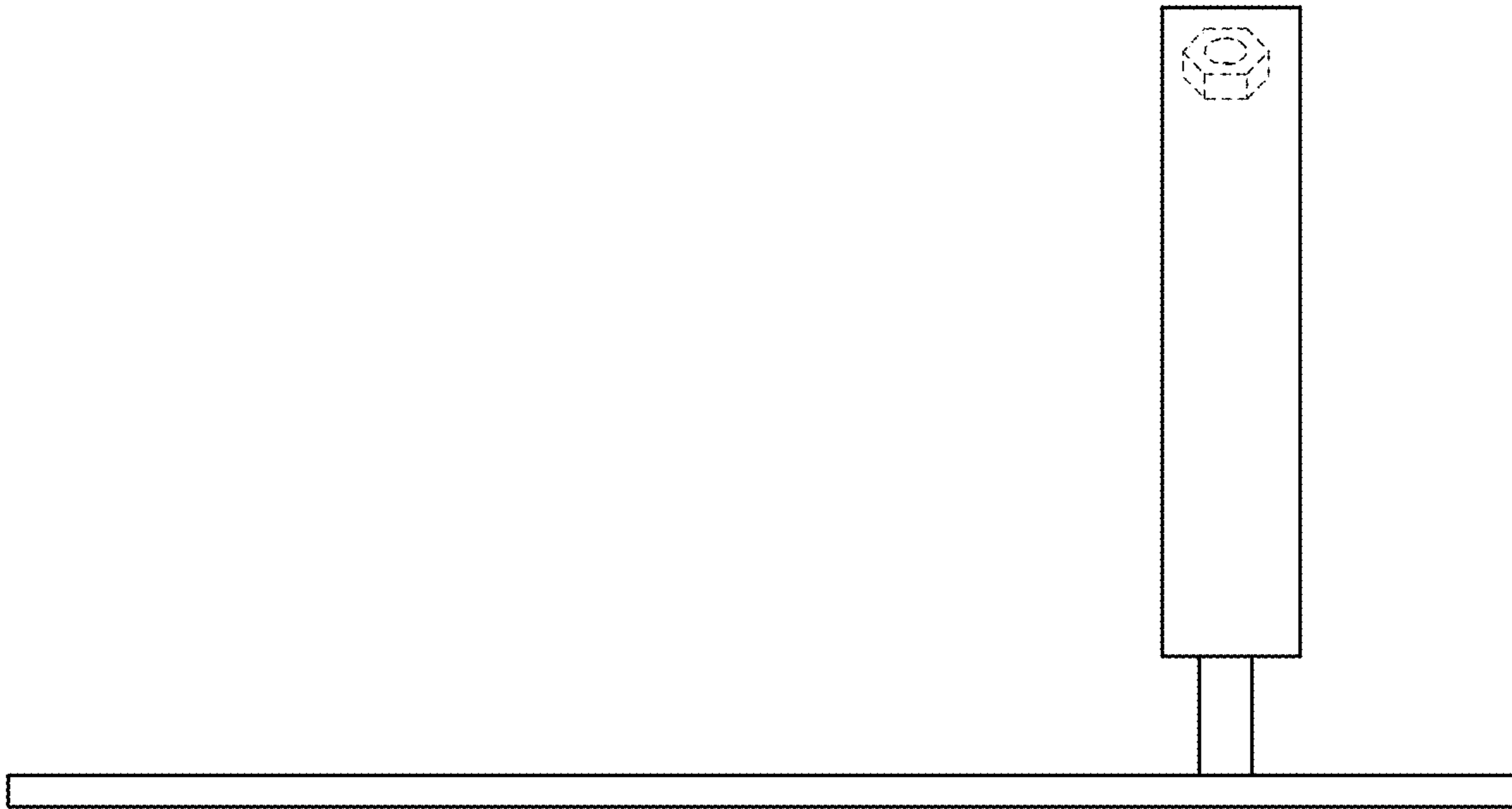


FIG. 7

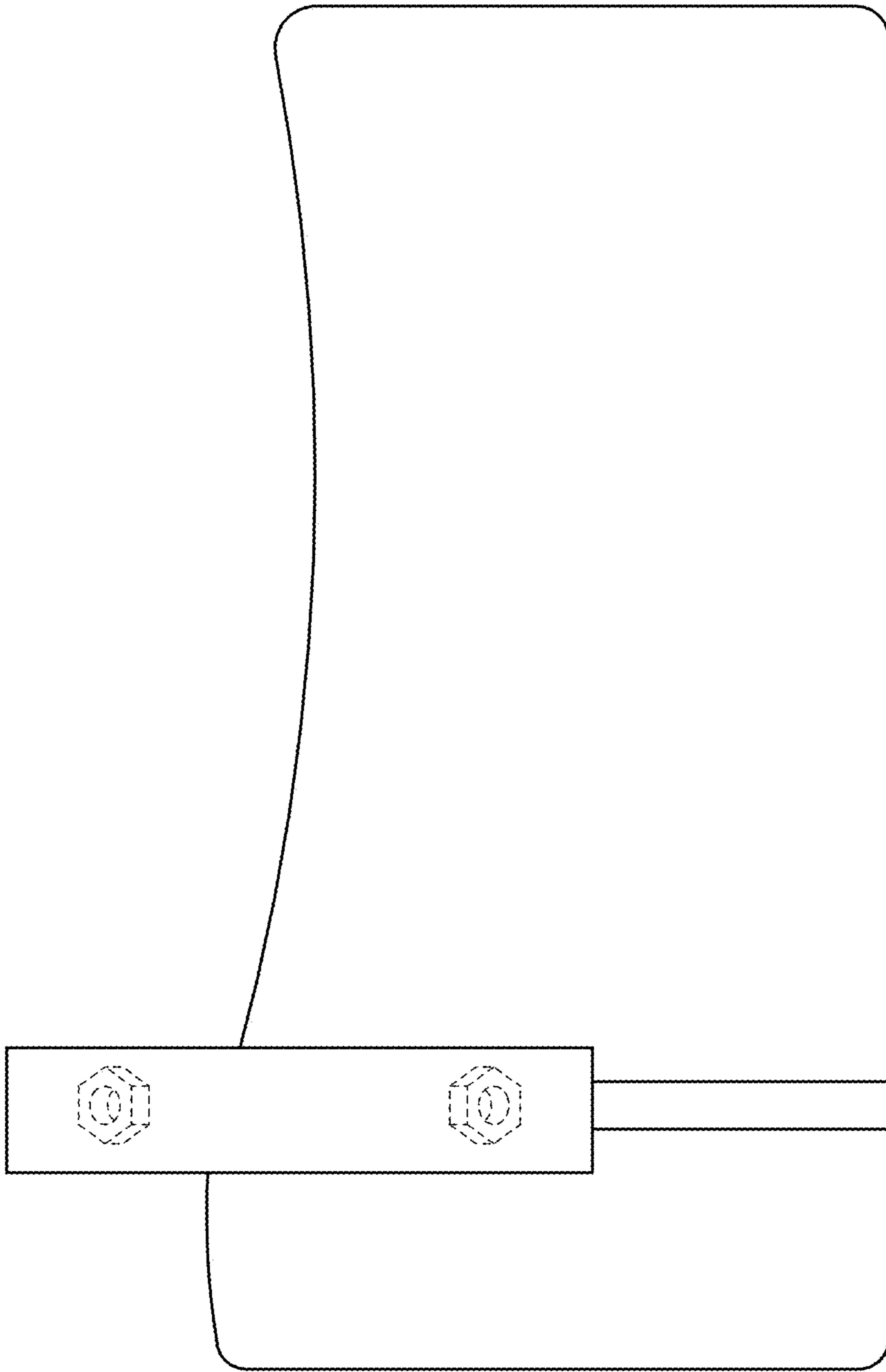


FIG. 8

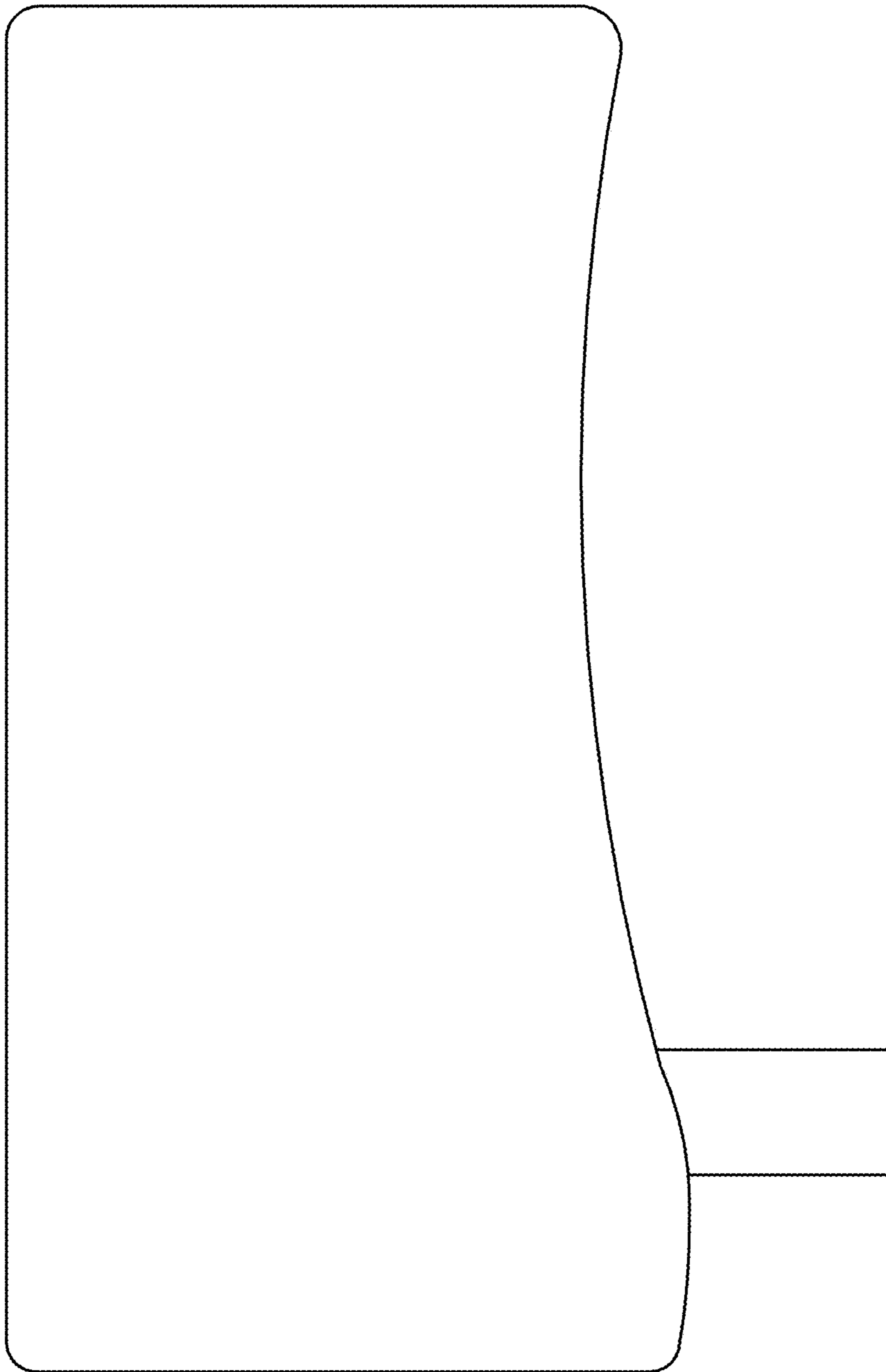


FIG. 9