



US00D930562S

(12) **United States Design Patent**  
**Diboine et al.**

(10) **Patent No.:** **US D930,562 S**

(45) **Date of Patent:** **\*\* Sep. 14, 2021**

(54) **DISPLAY PANEL FOR AUTOMOBILE**

(71) Applicant: **LG ELECTRONICS INC.**, Seoul (KR)

(72) Inventors: **Romain Diboine**, Seoul (KR);  
**Seunghwan Song**, Seoul (KR);  
**Seungmo Kang**, Seoul (KR)

(73) Assignee: **LG ELECTRONICS INC.**, Seoul (KR)

(\*\*) Term: **15 Years**

(21) Appl. No.: **29/736,588**

(22) Filed: **Jun. 1, 2020**

(30) **Foreign Application Priority Data**

Dec. 24, 2019 (KR) ..... 30-2019-0062711

(51) **LOC (13) Cl.** ..... **12-16**

(52) **U.S. Cl.**  
USPC ..... **D12/415**

(58) **Field of Classification Search**  
USPC ..... D12/415, 419, 192; D7/620  
CPC .. B60R 13/02; B60N 2/46; B60N 3/10; B60Q 3/64; B60Q 3/225

See application file for complete search history.

(56) **References Cited**

**U.S. PATENT DOCUMENTS**

D534,468 S *	1/2007	Colburn	.....	D12/192
D725,579 S *	3/2015	Becouarn	.....	D12/345
D808,874 S *	1/2018	Gao	.....	D12/192
D877,689 S *	3/2020	Watola	.....	D12/415
D878,988 S *	3/2020	Ryou	.....	D12/192

(Continued)

*Primary Examiner* — Katrina A Betton

(74) *Attorney, Agent, or Firm* — Birch, Stewart, Kolasch & Birch, LLP

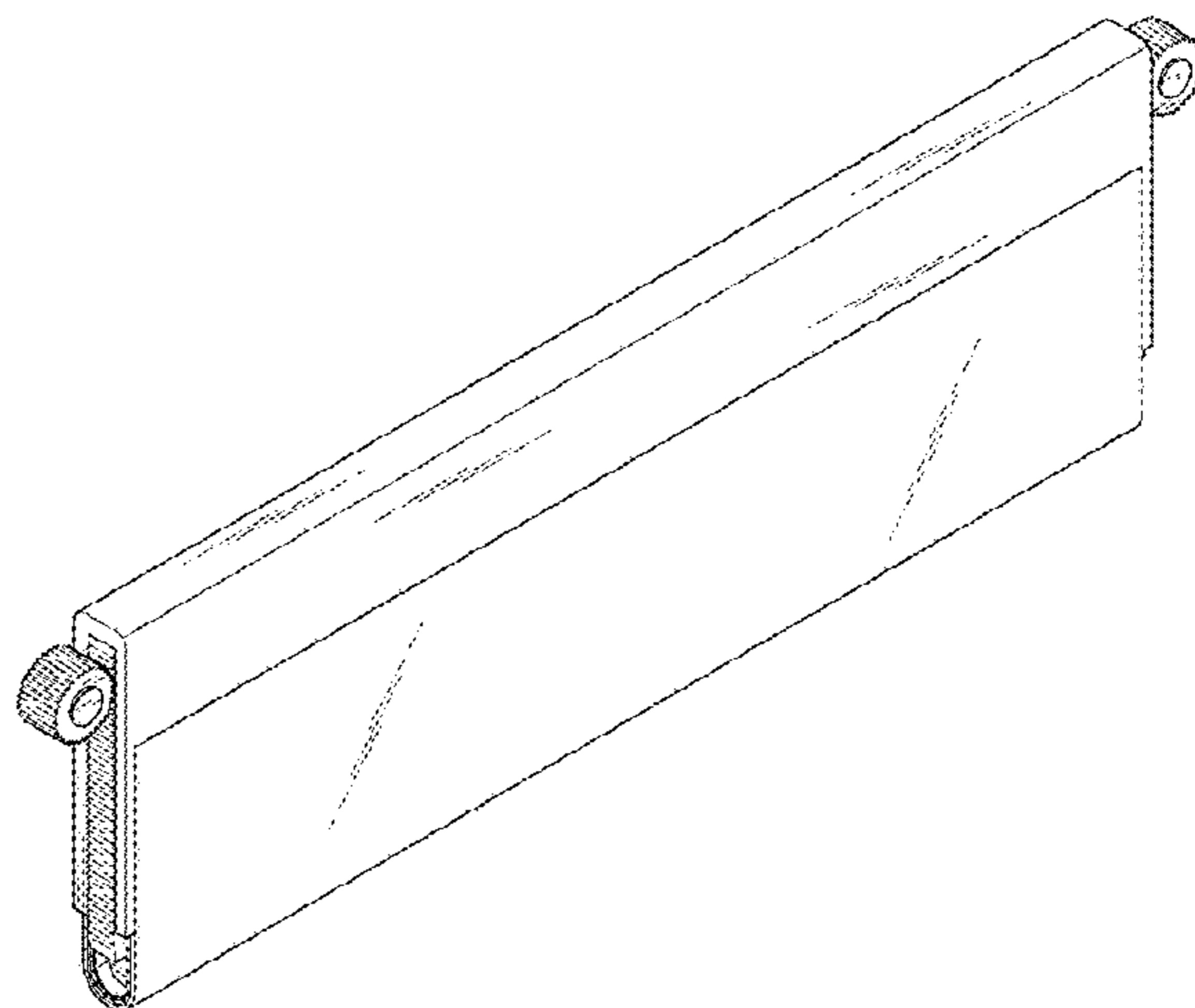
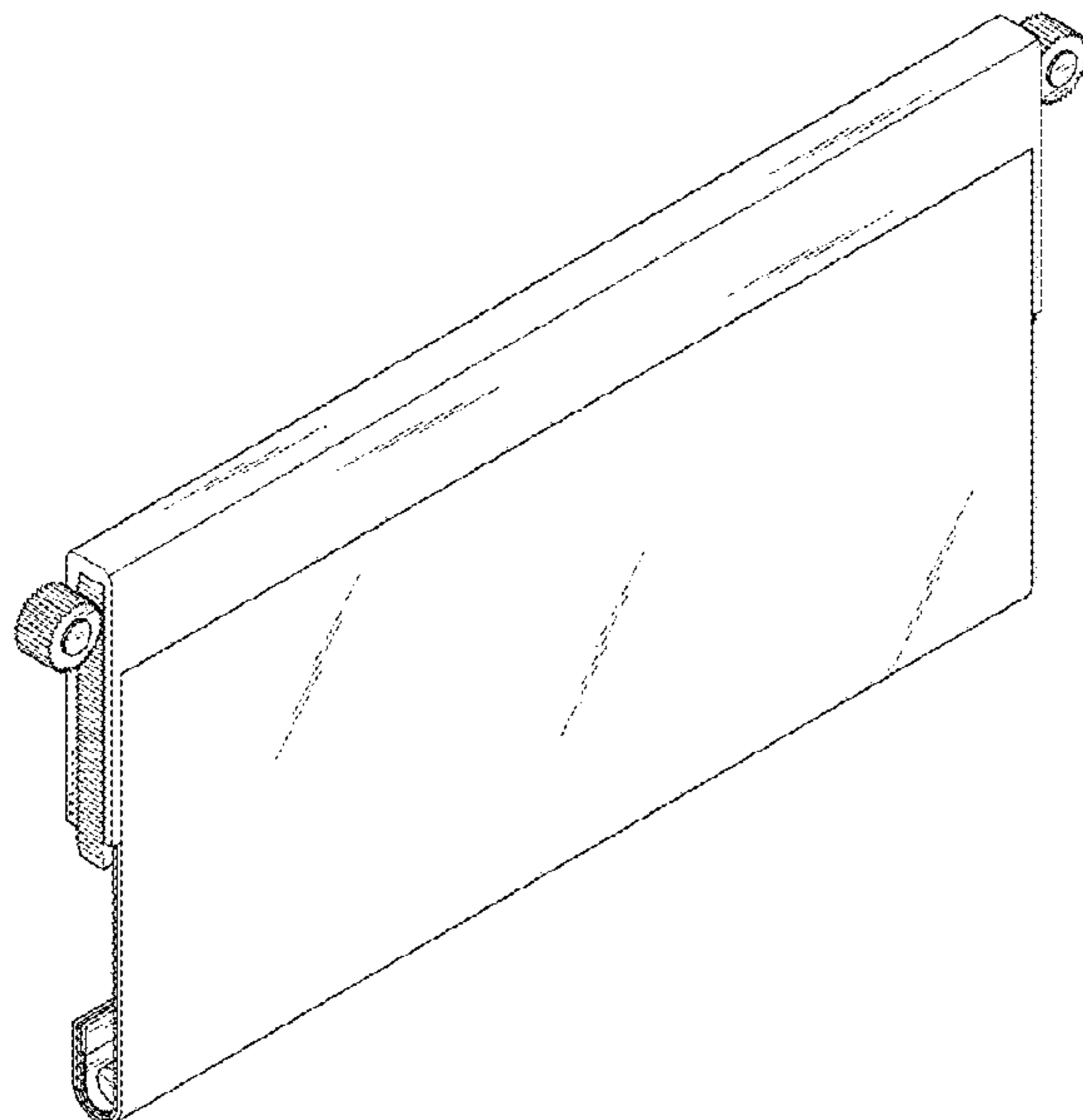
(57) **CLAIM**

We claim the ornamental design for a display panel for automobile, as shown and described.

**DESCRIPTION**

FIG. 1 is a front perspective view of a display panel for automobile showing the new design;  
 FIG. 2 is a rear perspective view thereof;  
 FIG. 3 is a front elevation view thereof;  
 FIG. 4 is a rear elevation view thereof;  
 FIG. 5 is a left-side elevation view thereof;  
 FIG. 6 is a right-side elevation view thereof;  
 FIG. 7 is a top plan view thereof;  
 FIG. 8 is a bottom plan view thereof;  
 FIG. 9 is a perspective view showing a state of use thereof;  
 FIG. 10 is a perspective view of a display panel for automobile showing a state of the display panel rolled up;  
 FIG. 11 is a front elevation view thereof;  
 FIG. 12 is a rear elevation view thereof;  
 FIG. 13 is a left-side elevation view thereof;  
 FIG. 14 is a right-side elevation view thereof;  
 FIG. 15 is a top plan view thereof;  
 FIG. 16 is a bottom plan view thereof;  
 FIG. 17 is a perspective view showing a state of use thereof;  
 FIG. 18 is a perspective view of a display panel for automobile showing a state of the display panel lifted up;  
 FIG. 19 is a front elevation view thereof;  
 FIG. 20 is a rear elevation view thereof;  
 FIG. 21 is a left-side elevation view thereof;  
 FIG. 22 is a right-side elevation view thereof;  
 FIG. 23 is a top plan view thereof;  
 FIG. 24 is a bottom plan view thereof; and,  
 FIG. 25 is a perspective view showing a state of use thereof.  
 The broken lines in the drawing figures are for purpose of illustrating an environment of use and form no part of the claimed design.

**1 Claim, 25 Drawing Sheets**



(56)

**References Cited**

U.S. PATENT DOCUMENTS

D903,560 S	*	12/2020	Takamura .....	D12/192
D906,206 S	*	12/2020	Choi .....	D12/192
D913,173 S	*	3/2021	Kim .....	D12/192
D913,174 S	*	3/2021	Kim .....	D12/192
D913,199 S	*	3/2021	Song .....	D12/415
D913,200 S	*	3/2021	Kang .....	D12/415
D916,421 S	*	4/2021	Niebuhr .....	B60K 37/00 D34/35

\* cited by examiner

FIG. 1

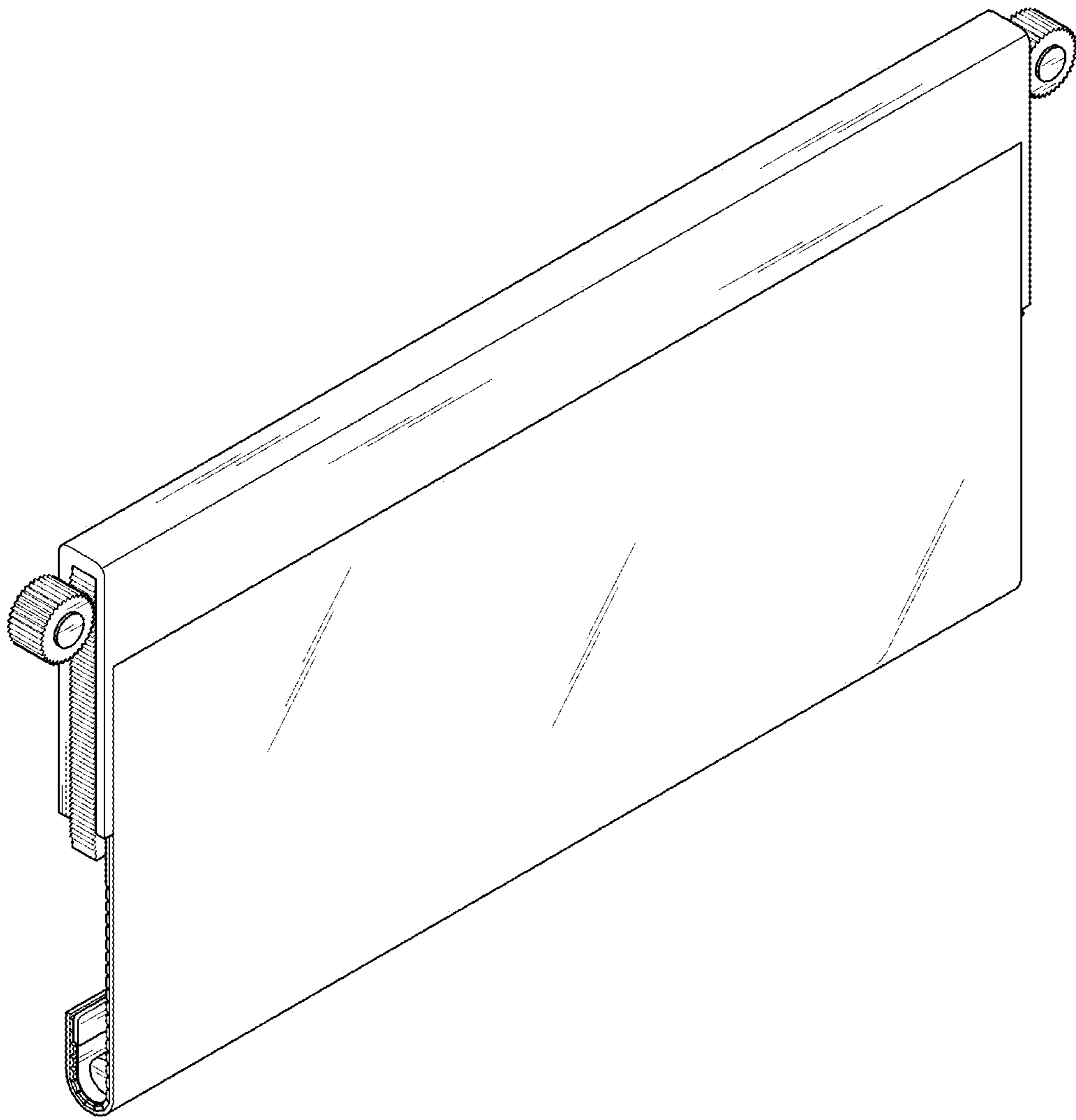


FIG. 2

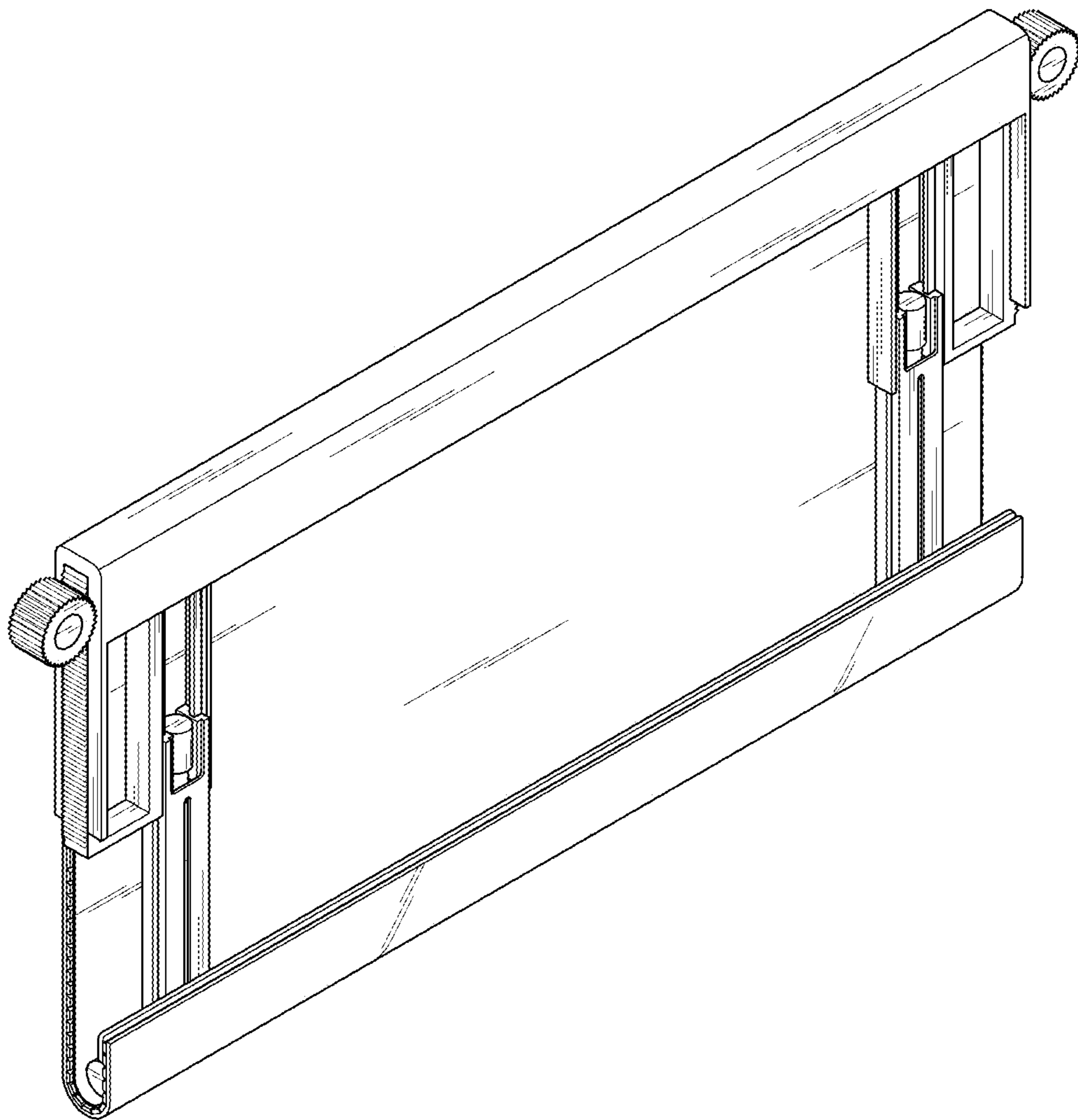


FIG. 3

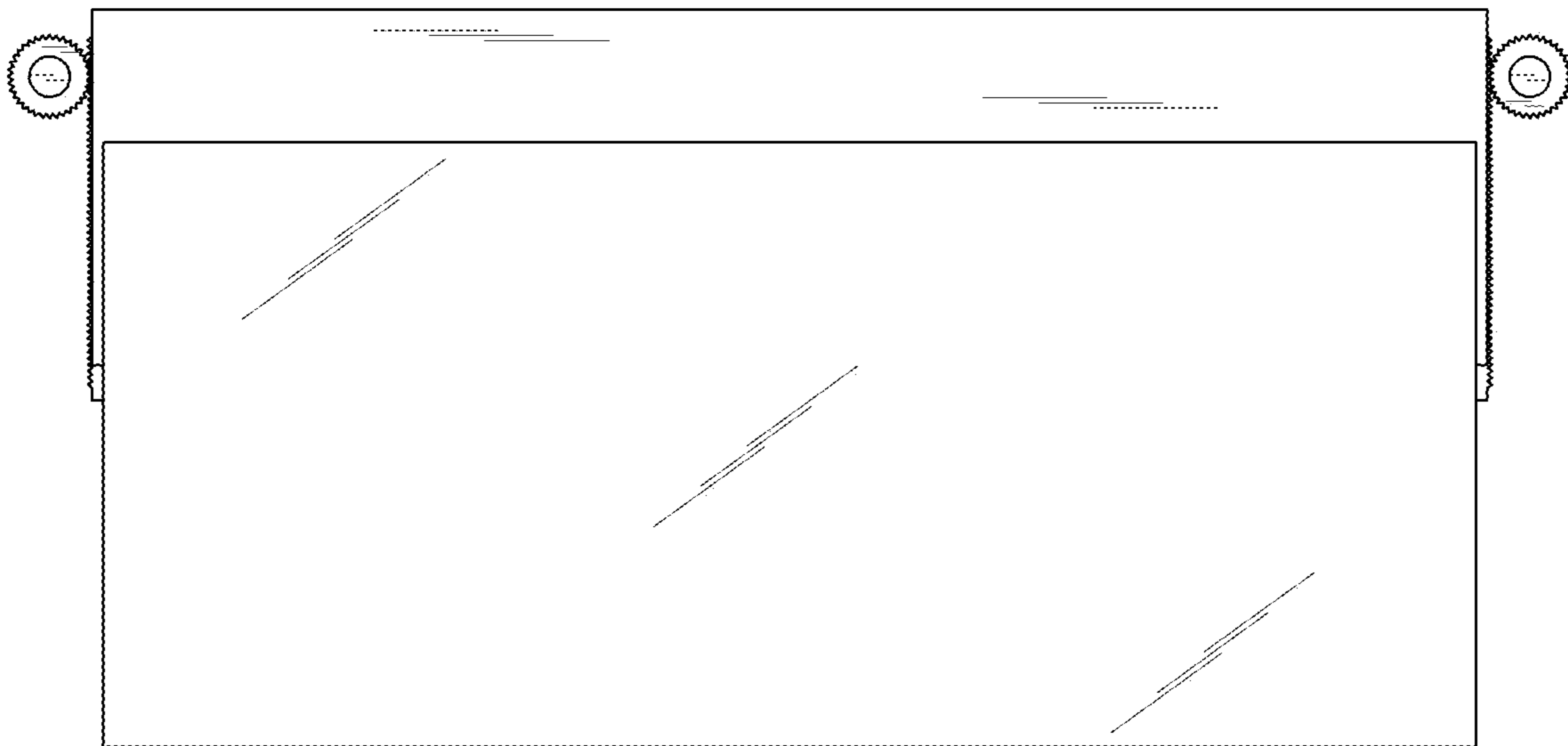


FIG. 4

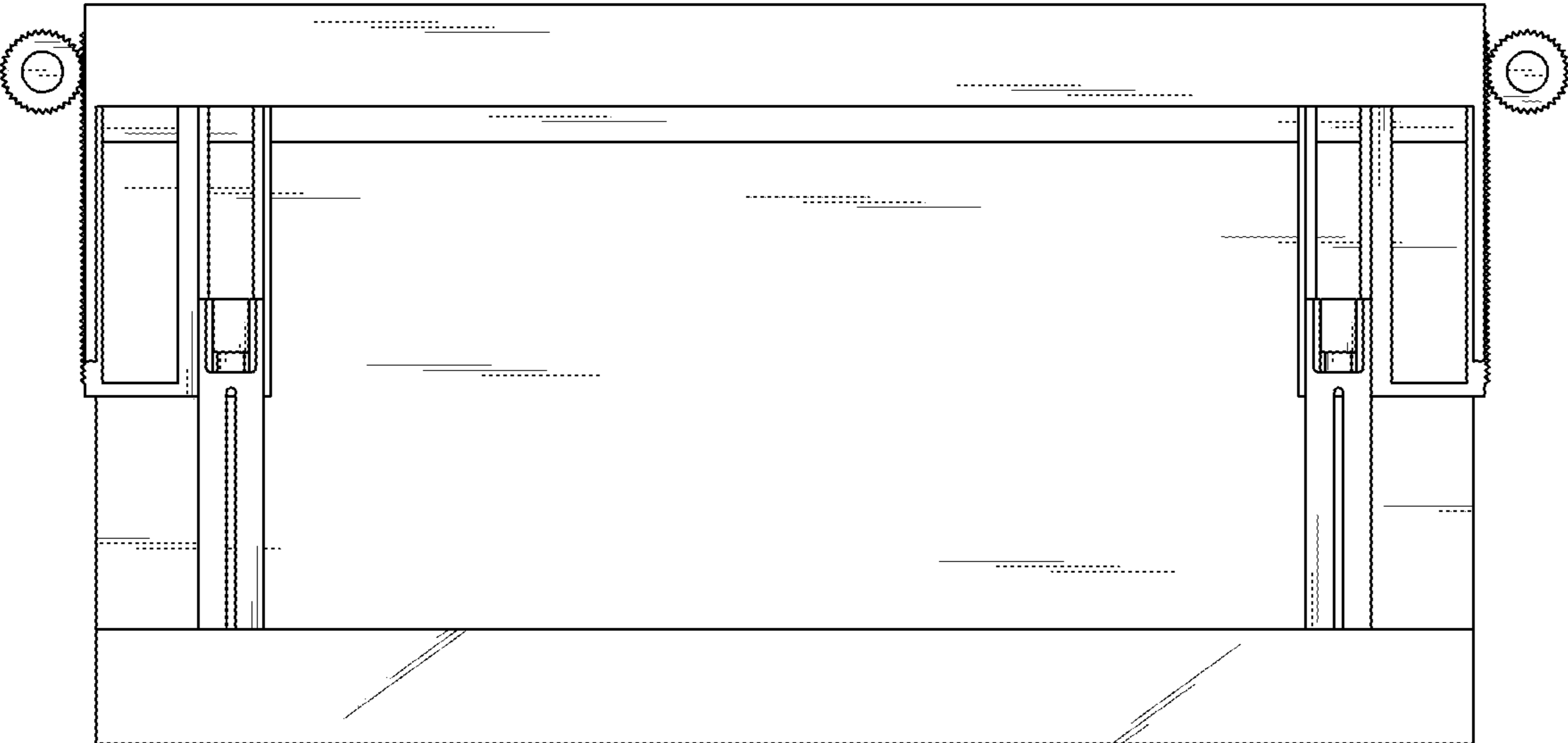


FIG. 5

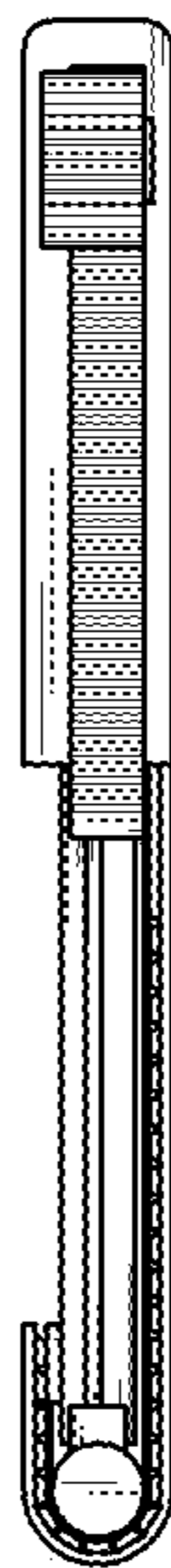


FIG. 6

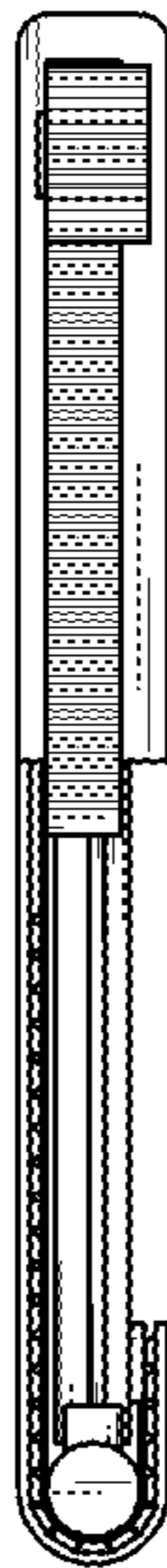




FIG. 7



FIG. 8



FIG. 9

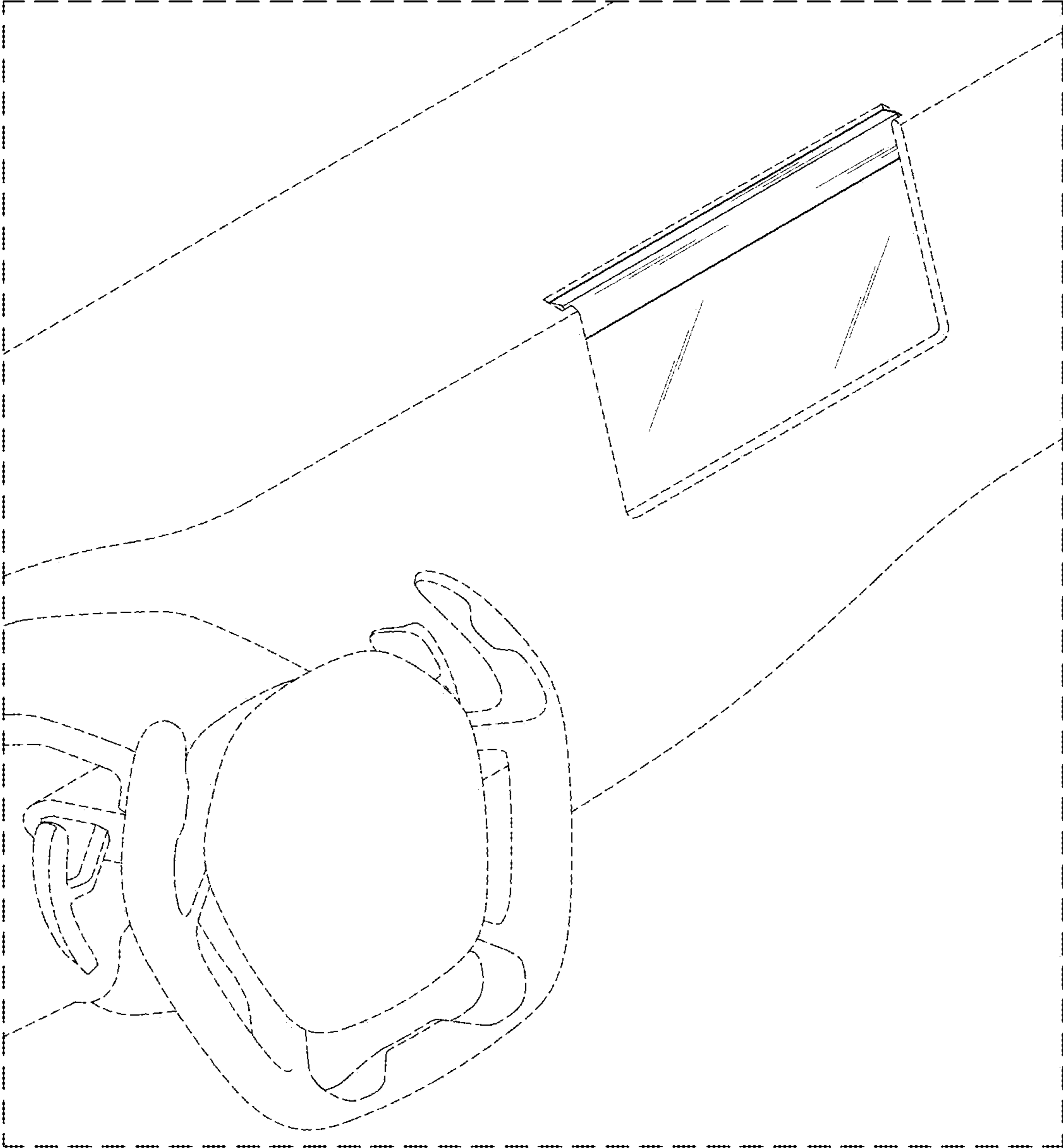


FIG. 10

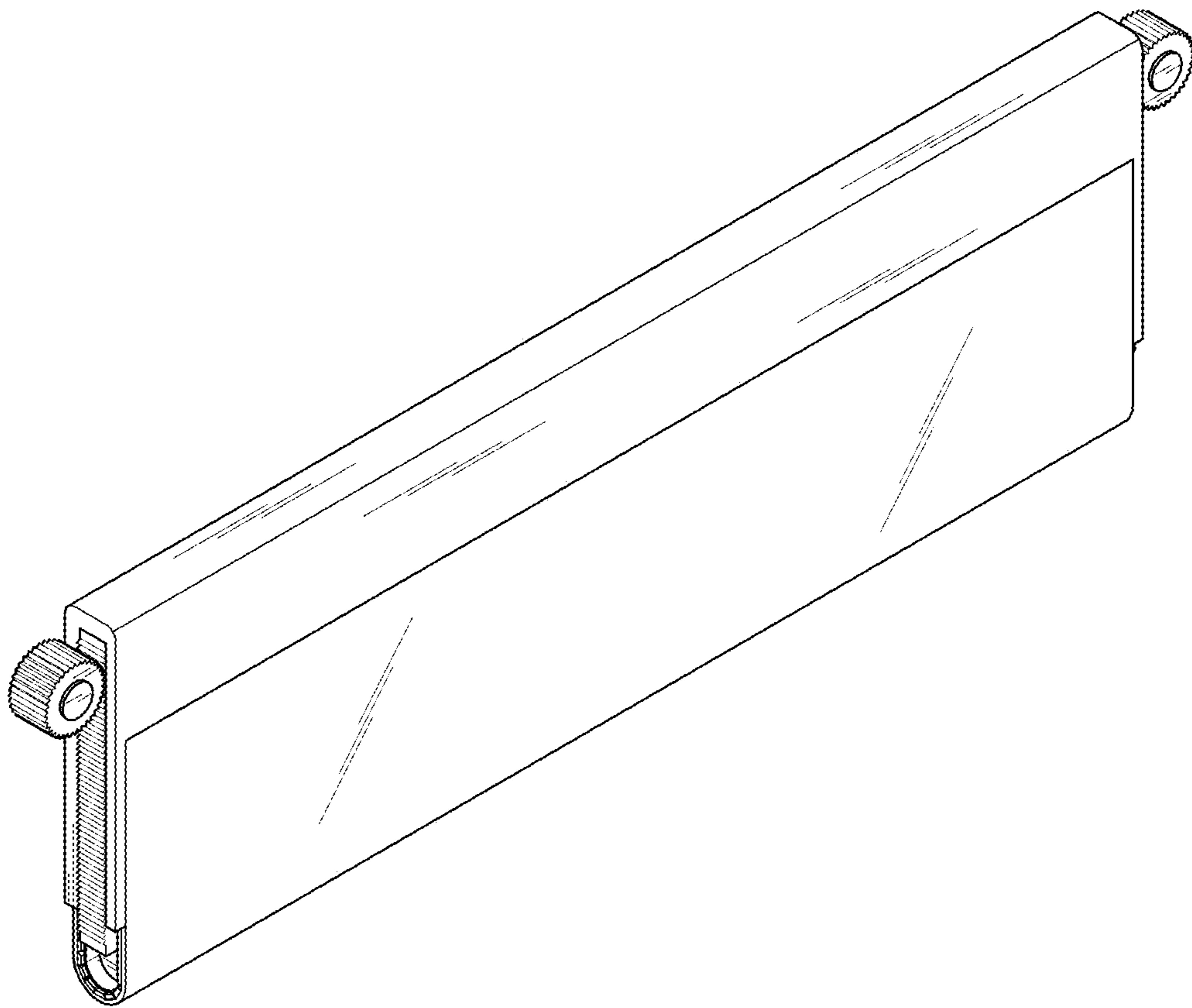


FIG. 11

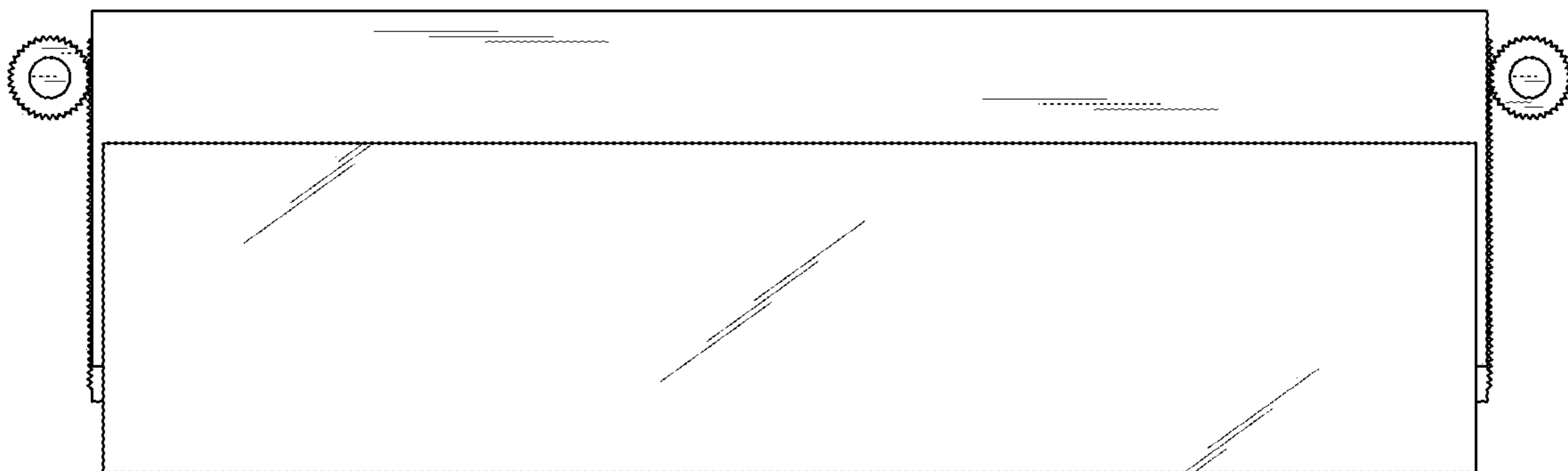


FIG. 12

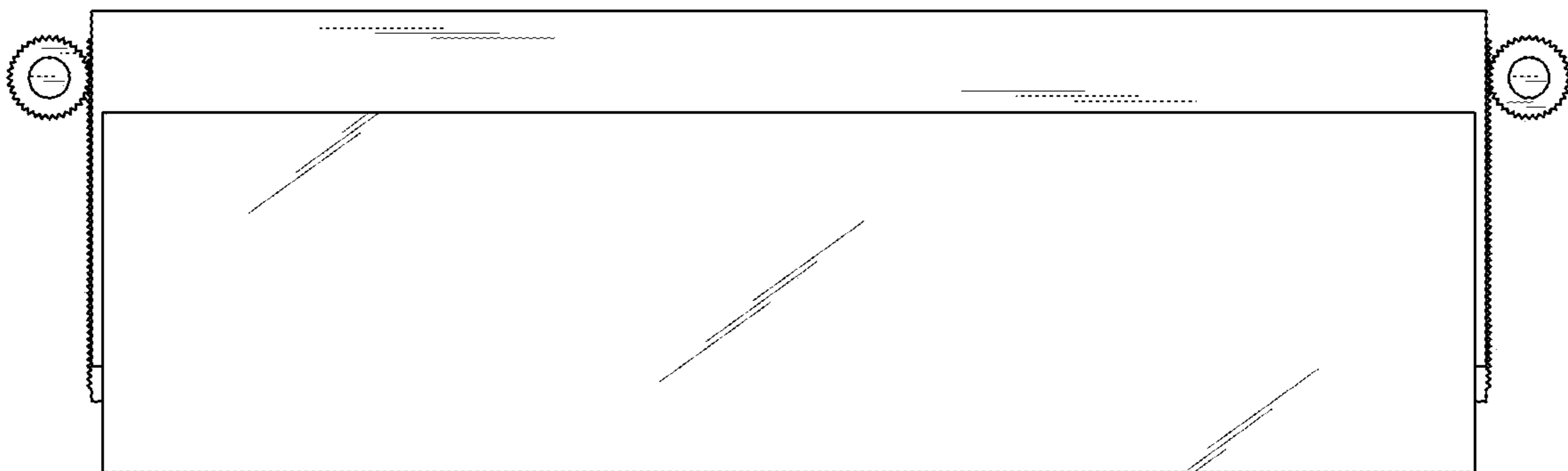


FIG. 13

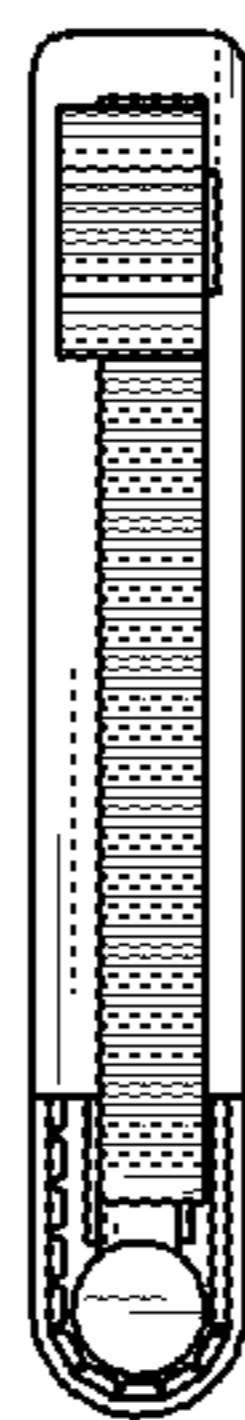


FIG. 14

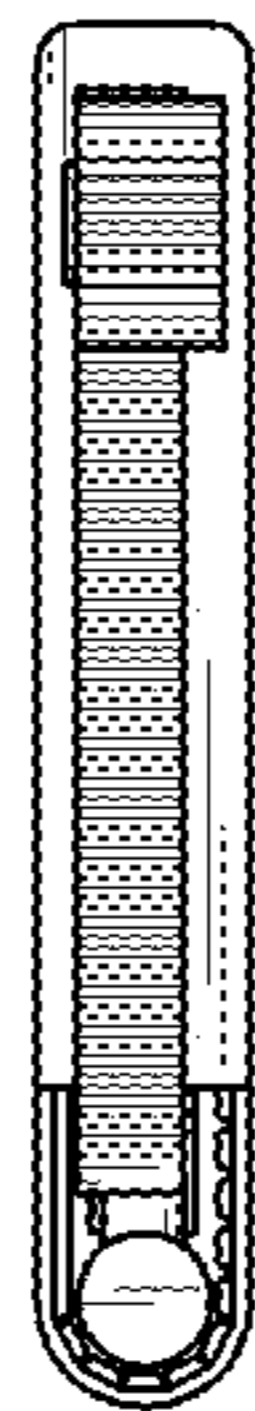




FIG. 15



FIG. 16



FIG. 17

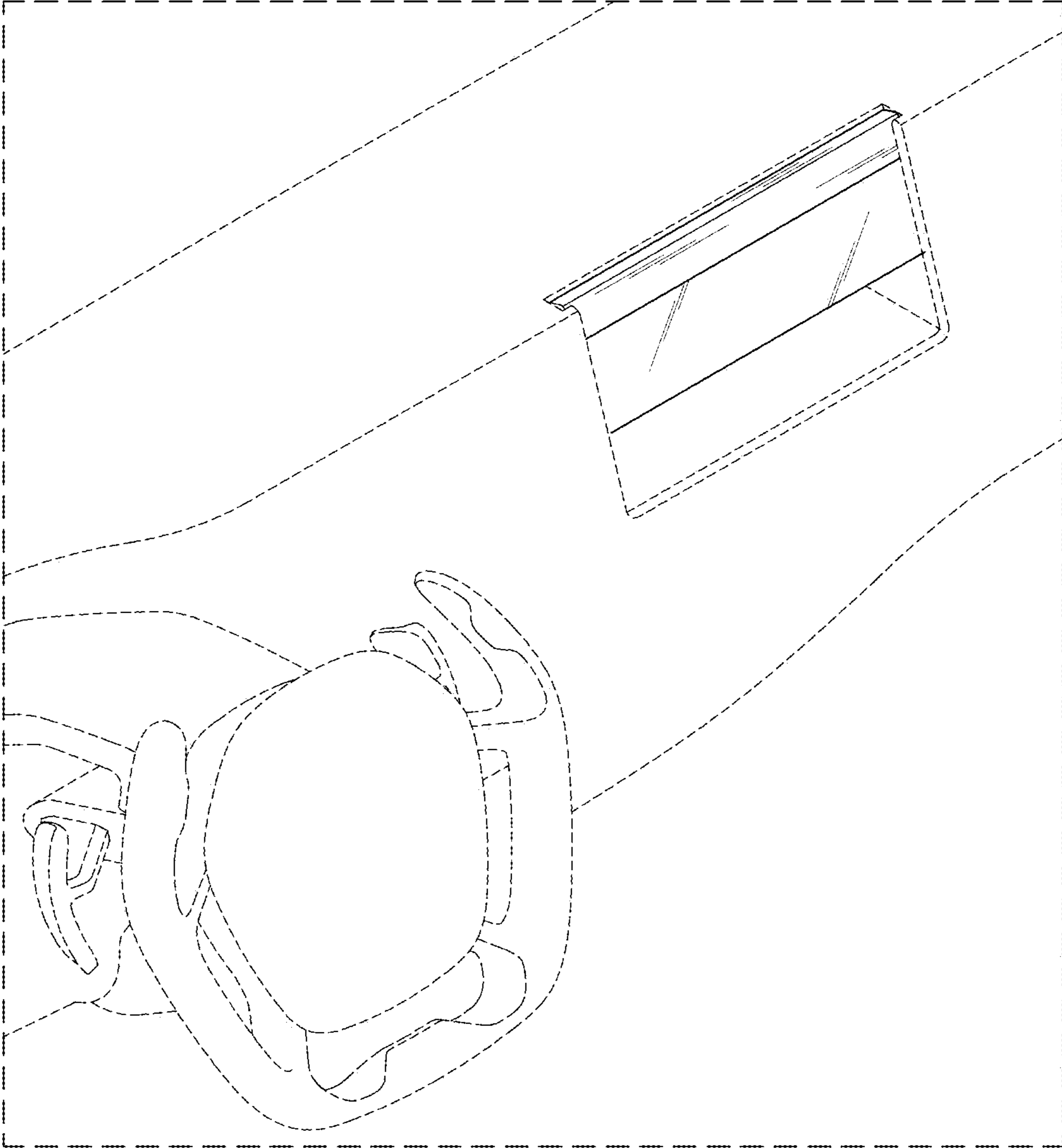


FIG. 18

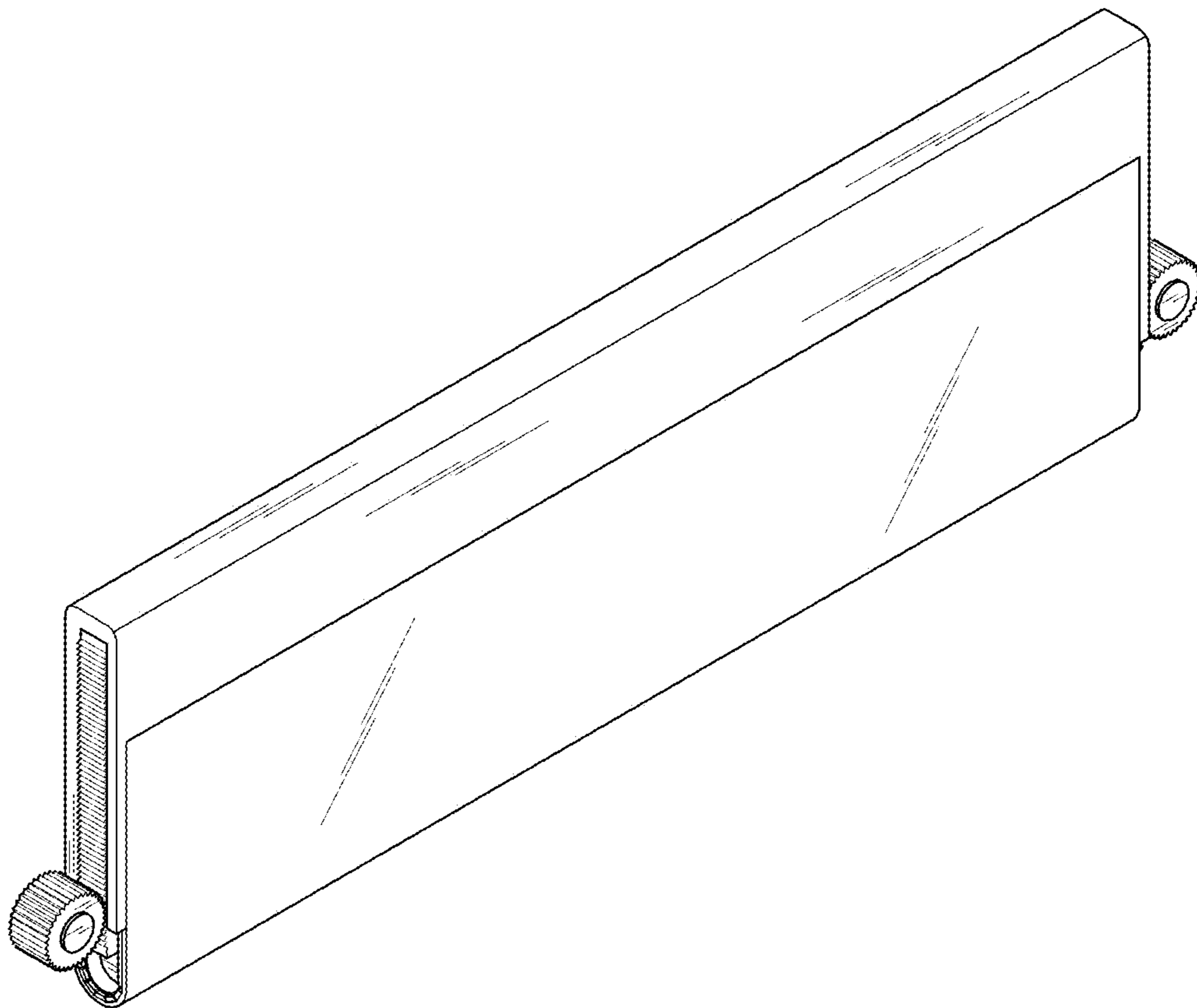


FIG. 19

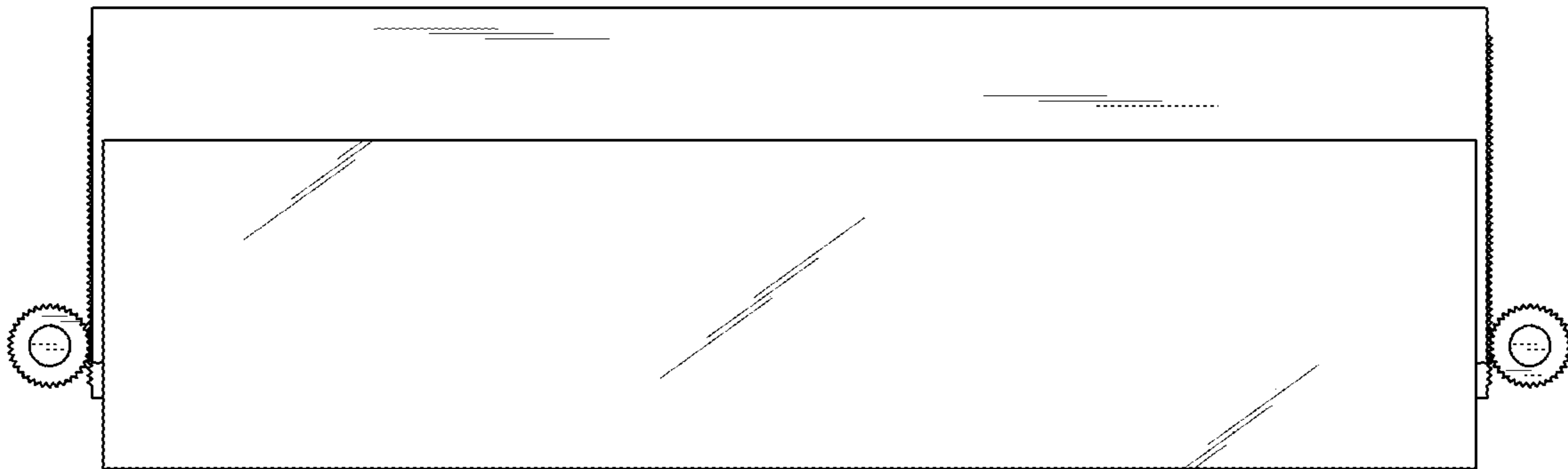


FIG. 20

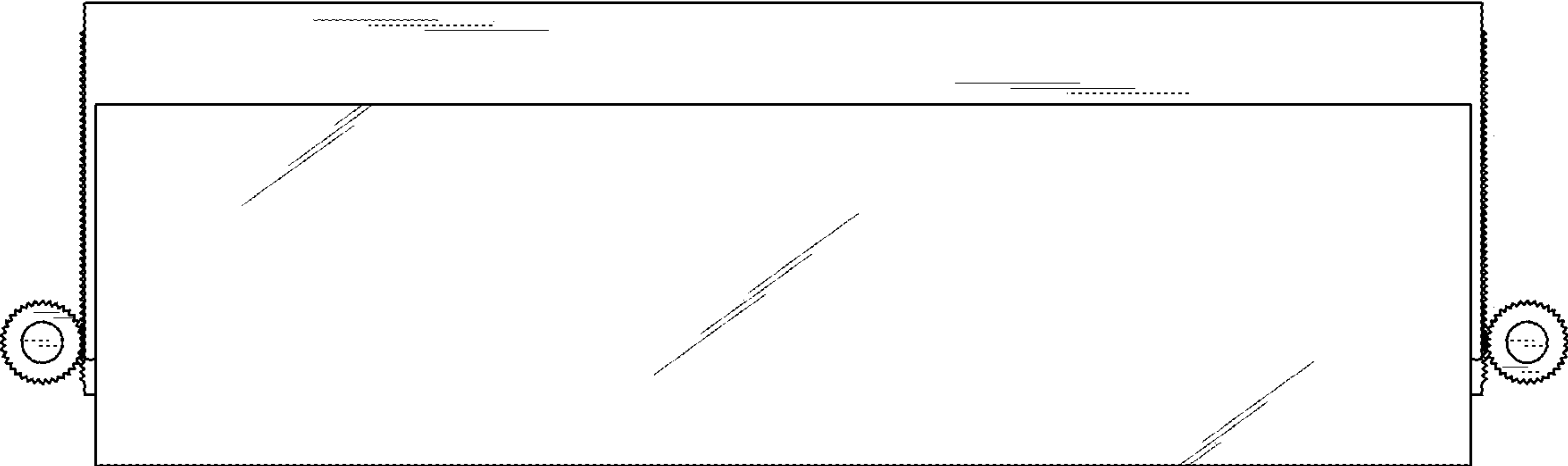


FIG. 21

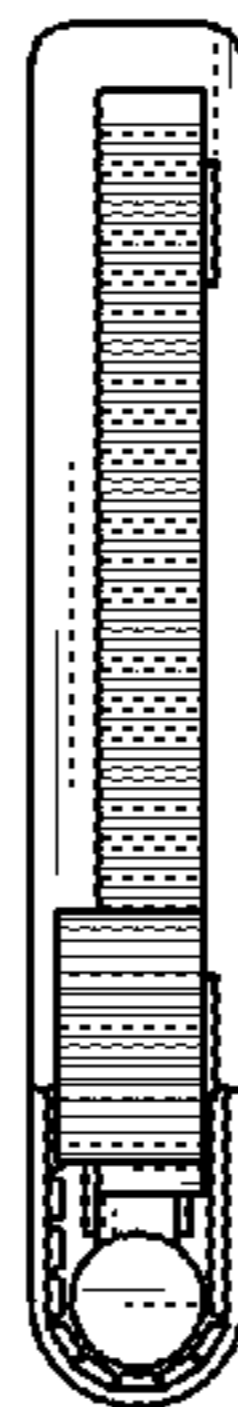


FIG. 22

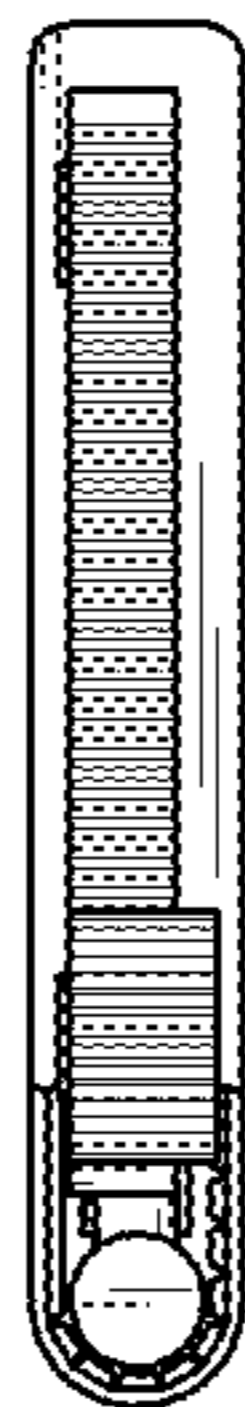




FIG. 23



FIG. 24



FIG. 25

