



US00D930559S

(12) **United States Design Patent**
Diboine et al.

(10) **Patent No.:** **US D930,559 S**

(45) **Date of Patent:** **** Sep. 14, 2021**

(54) **DISPLAY PANEL FOR AUTOMOBILE**

(71) Applicant: **LG ELECTRONICS INC.**, Seoul (KR)

(72) Inventors: **Romain Diboine**, Seoul (KR); **Inkoo Shim**, Seoul (KR); **Seungmo Kang**, Seoul (KR)

(73) Assignee: **LG ELECTRONICS INC.**, Seoul (KR)

(**) Term: **15 Years**

(21) Appl. No.: **29/736,578**

(22) Filed: **Jun. 1, 2020**

(30) **Foreign Application Priority Data**

Dec. 5, 2019 (KR) 30-2019-0058884

(51) **LOC (13) Cl.** **12-16**

(52) **U.S. Cl.**
USPC **D12/415**

(58) **Field of Classification Search**
USPC D12/415, 419, 192; D7/620
CPC .. B60R 13/02; B60N 2/46; B60N 3/10; B60Q 3/64; B60Q 3/225
See application file for complete search history.

(56) **References Cited**

U.S. PATENT DOCUMENTS

D534,468 S *	1/2007	Colburn	D12/192
D725,579 S *	3/2015	Becouarn	D12/345
D808,874 S *	1/2018	Gao	D12/192
D877,689 S *	3/2020	Watola	D12/415
D878,988 S *	3/2020	Ryou	D12/192
D903,560 S *	12/2020	Takamura	D12/192
D906,206 S *	12/2020	Choi	D12/192
D913,173 S *	3/2021	Kim	D12/192
D913,174 S *	3/2021	Kim	D12/192

D913,199 S *	3/2021	Song	D12/415
D913,200 S *	3/2021	Kang	D12/415
D916,421 S *	4/2021	Niebuhr	B60K 37/00 D34/35

* cited by examiner

Primary Examiner — Katrina A Betton

(74) *Attorney, Agent, or Firm* — Birch, Stewart, Kolasch & Birch, LLP

(57) **CLAIM**

We claim the ornamental design for a display panel for automobile, as shown and described.

DESCRIPTION

FIG. 1 is a perspective view of a display panel for automobile showing the new design;
FIG. 2 is a front elevation view thereof;
FIG. 3 is a rear elevation view thereof;
FIG. 4 is a left-side elevation view thereof;
FIG. 5 is a right-side elevation view thereof;
FIG. 6 is a top plan view thereof;
FIG. 7 is a bottom plan view thereof;
FIG. 8 is a perspective view showing a state of use thereof;
FIG. 9 is a perspective view of a display panel for automobile showing a state of the display panel rolled up;
FIG. 10 is a front elevation view thereof;
FIG. 11 is a rear elevation view thereof;
FIG. 12 is a left-side elevation view thereof;
FIG. 13 is a right-side elevation view thereof;
FIG. 14 is a top plan view thereof;
FIG. 15 is a bottom plan view thereof; and,
FIG. 16 is a perspective view showing a state of use thereof.
The broken lines in the drawing figures are for purpose of illustrating an environment of use and form no part of the claimed design.

1 Claim, 16 Drawing Sheets

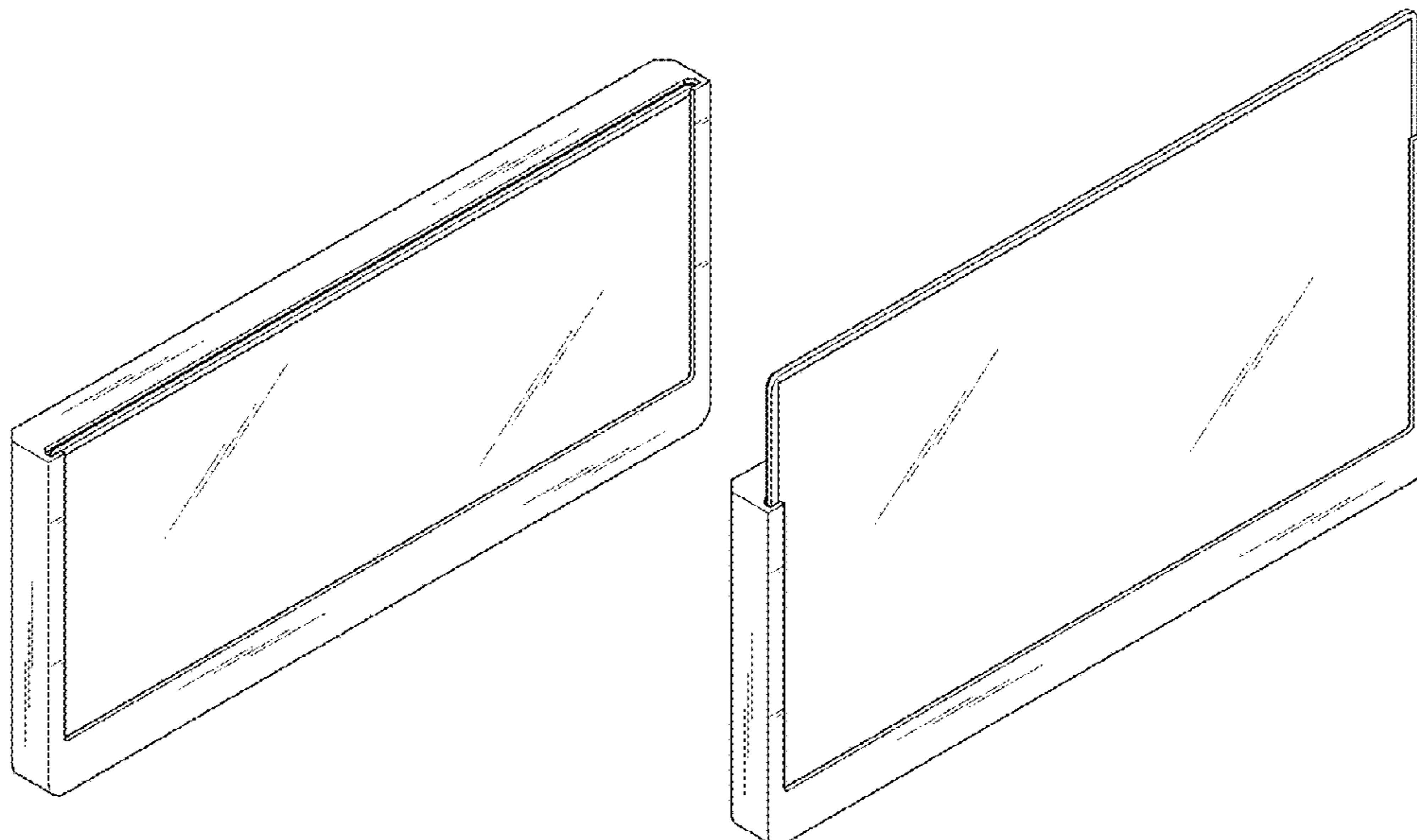


FIG. 1

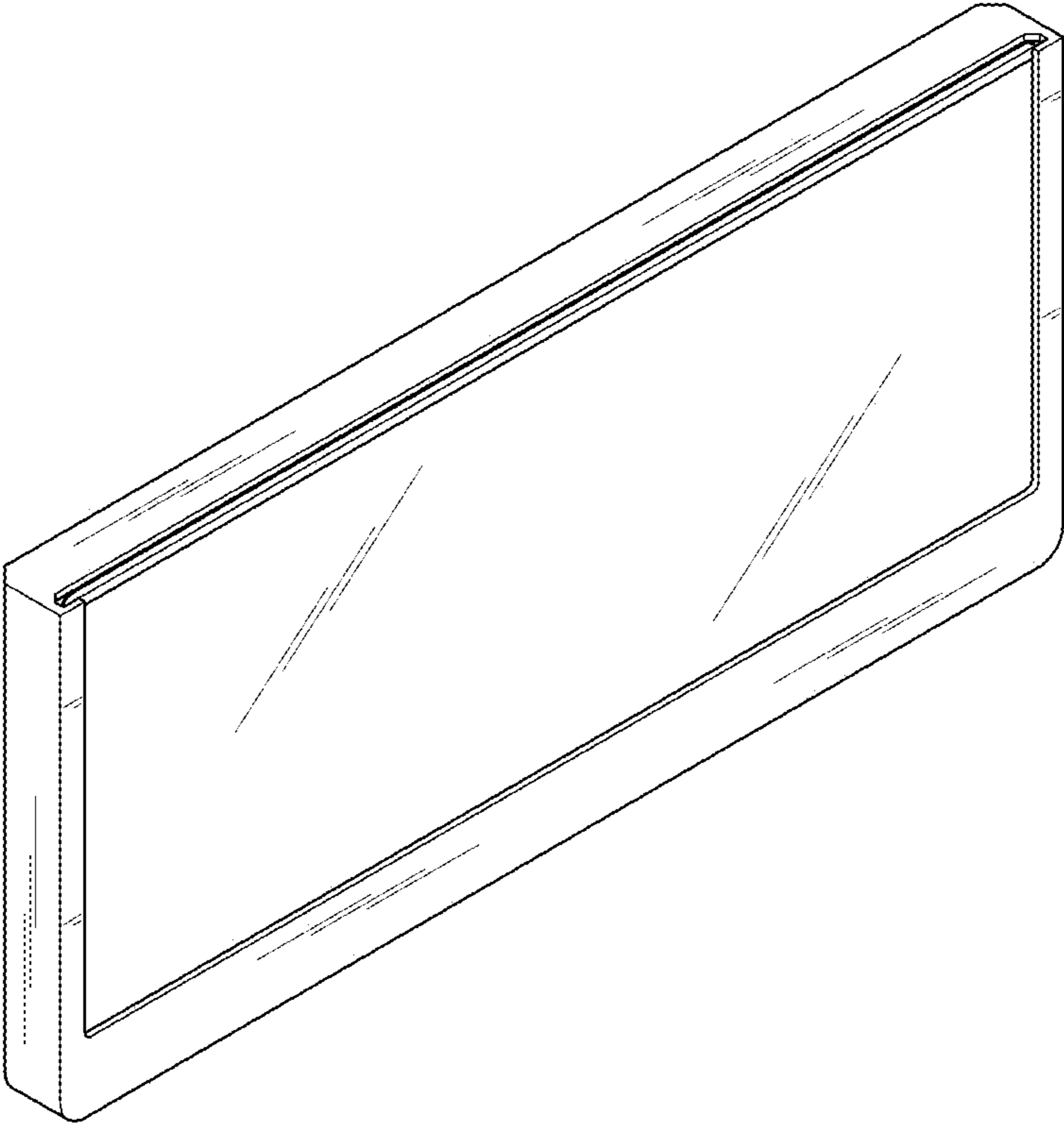


FIG. 2

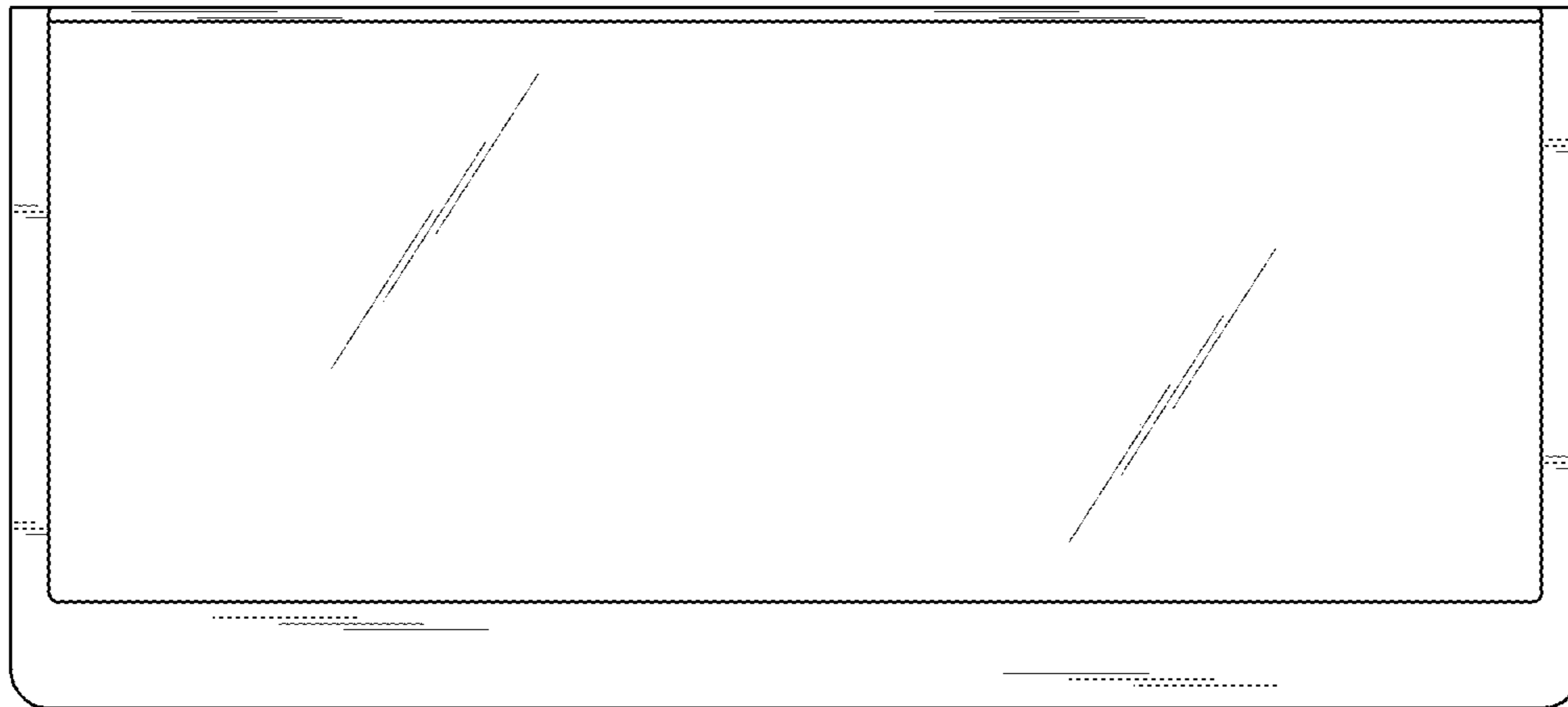


FIG. 3

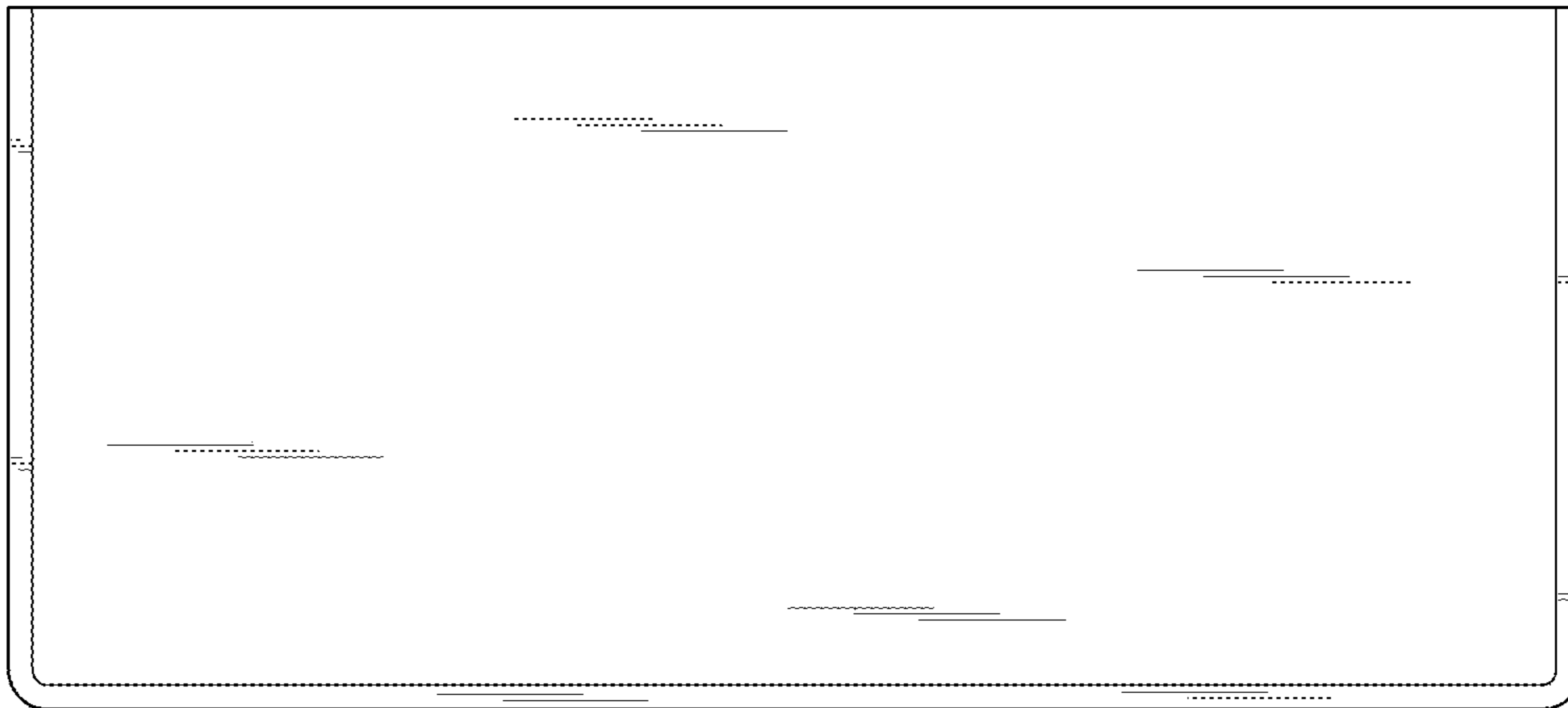


FIG. 4



FIG. 5

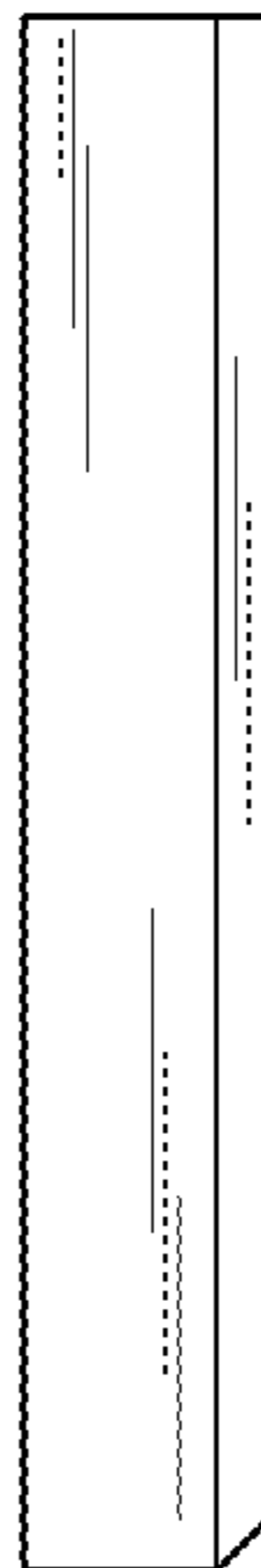


FIG. 6

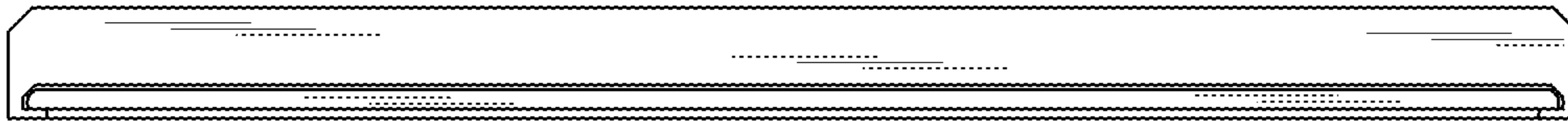


FIG. 7

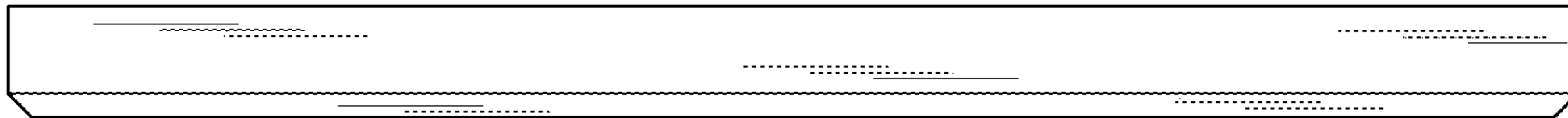


FIG. 8

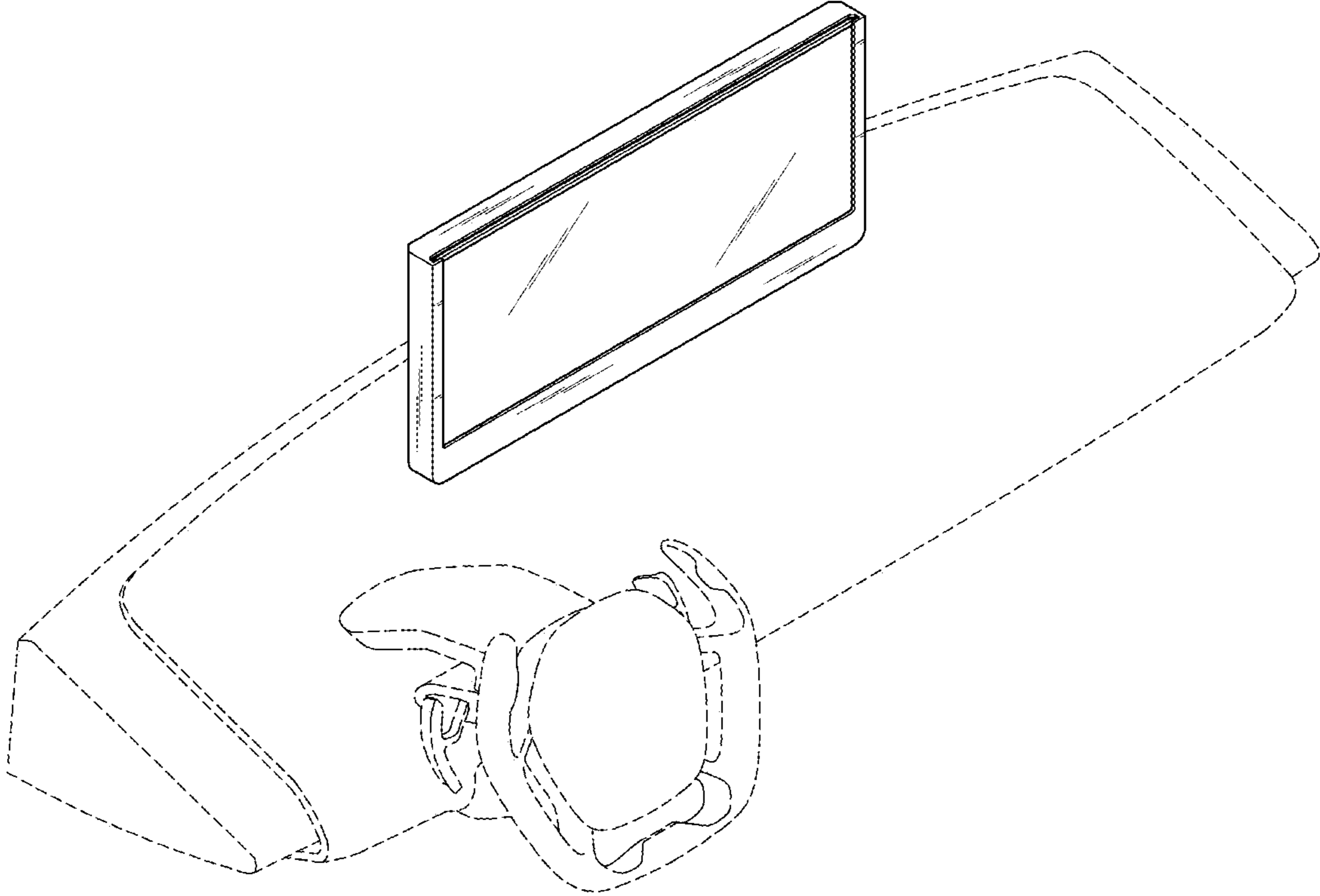


FIG. 9

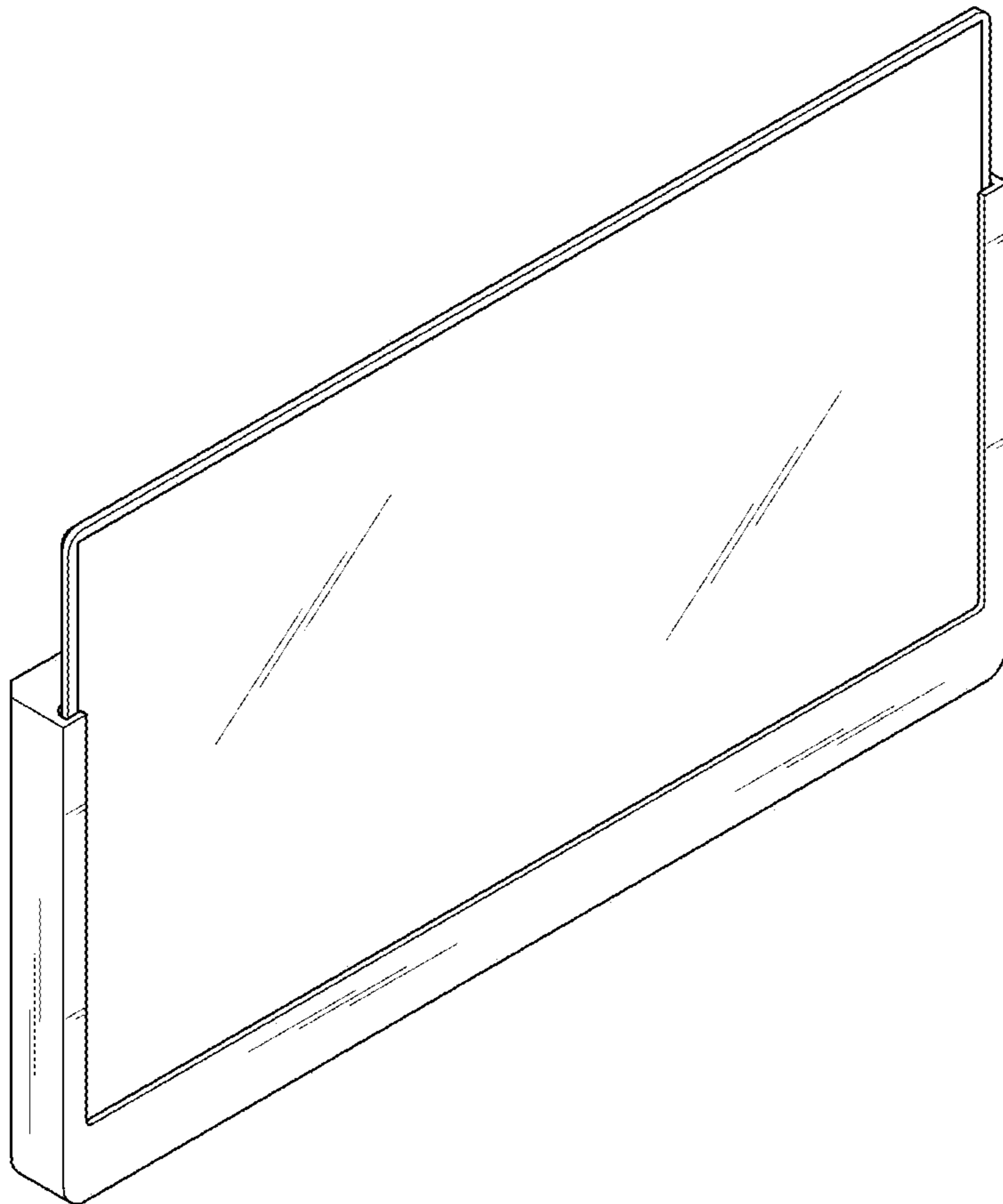


FIG. 10

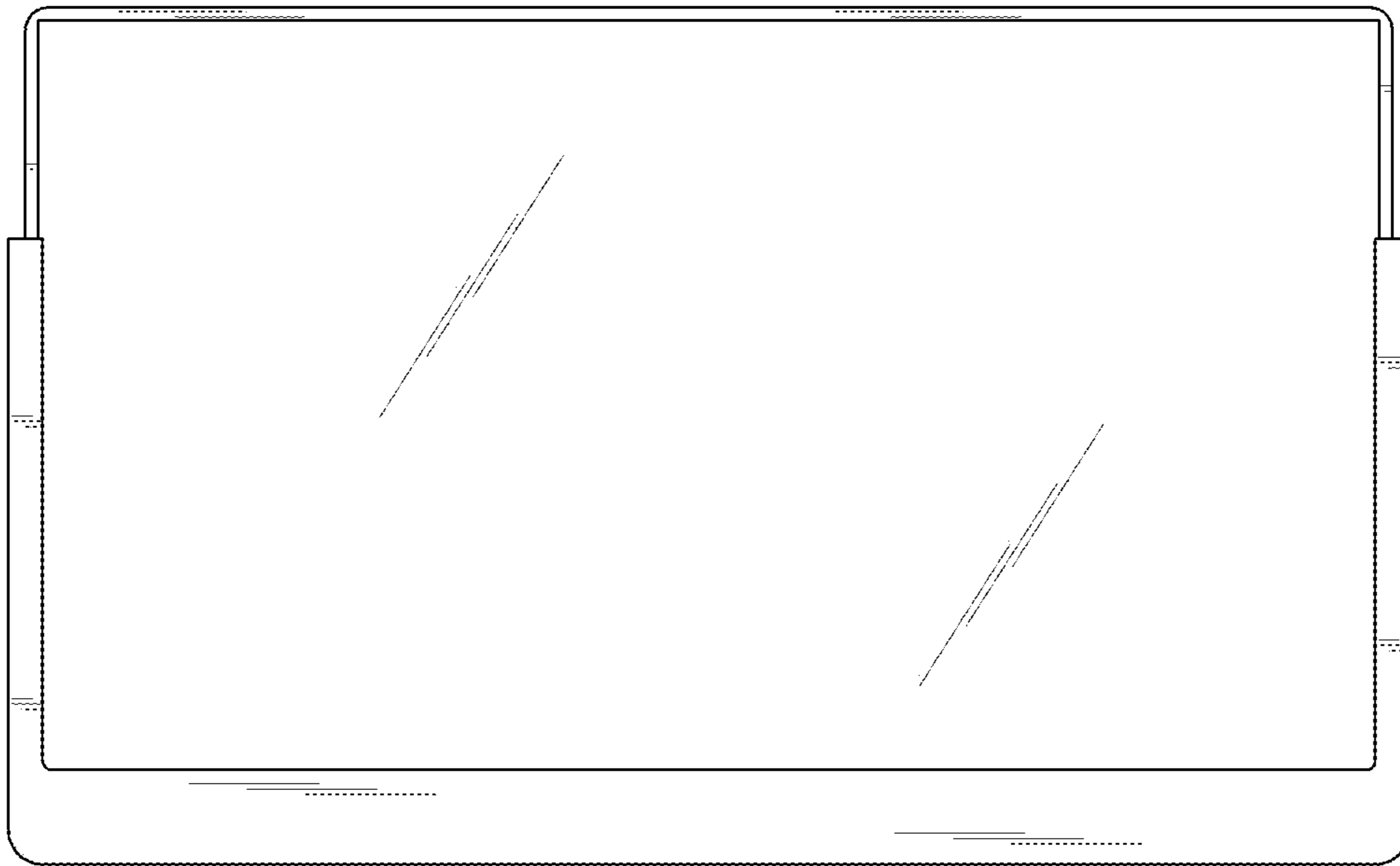


FIG. 11

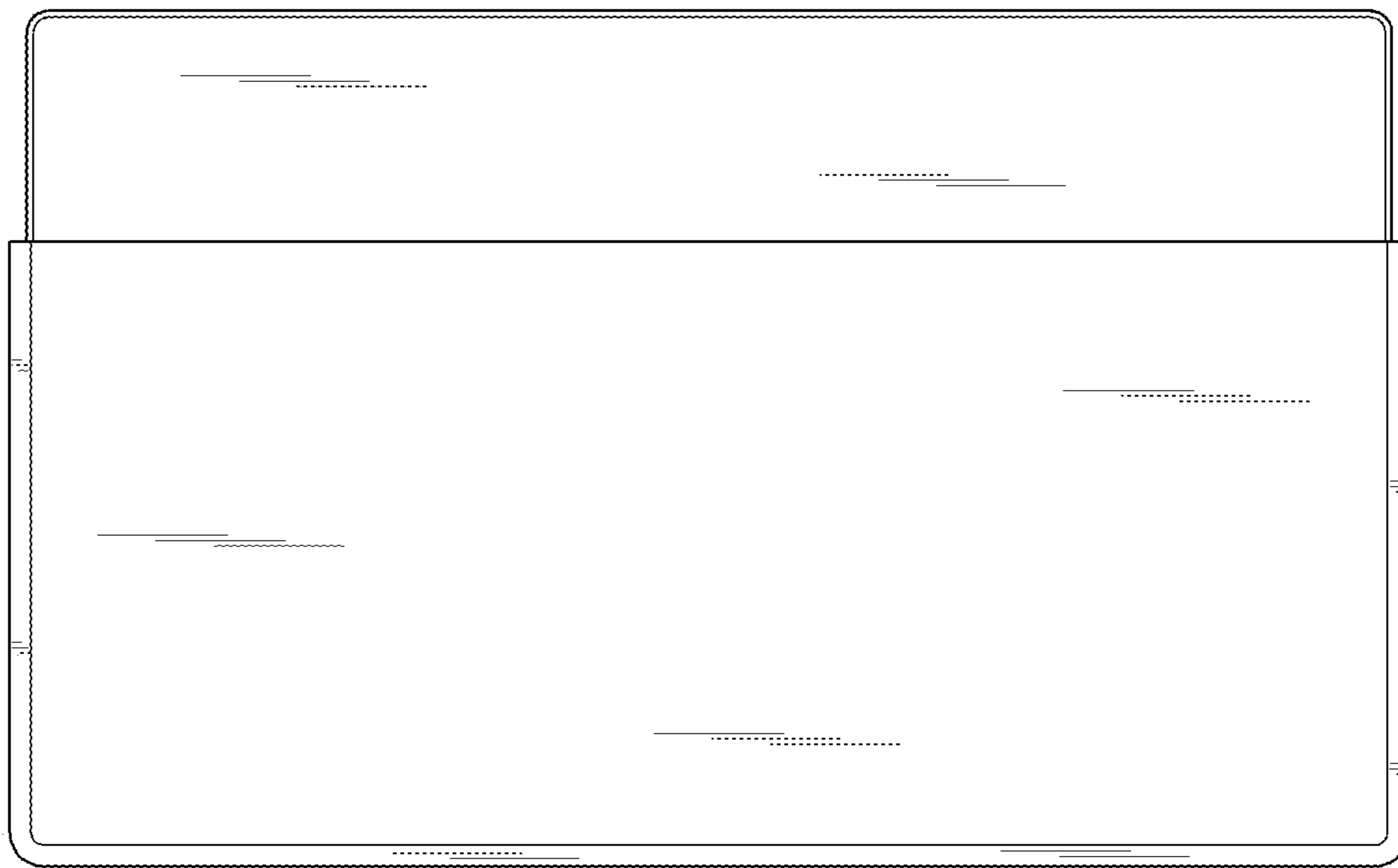


FIG. 12

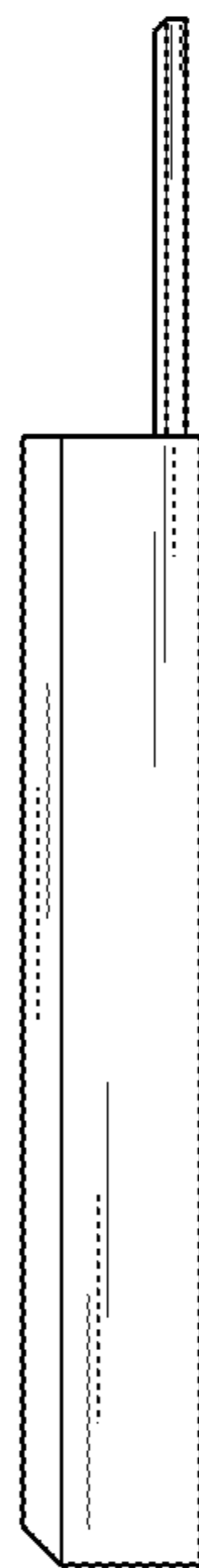


FIG. 13

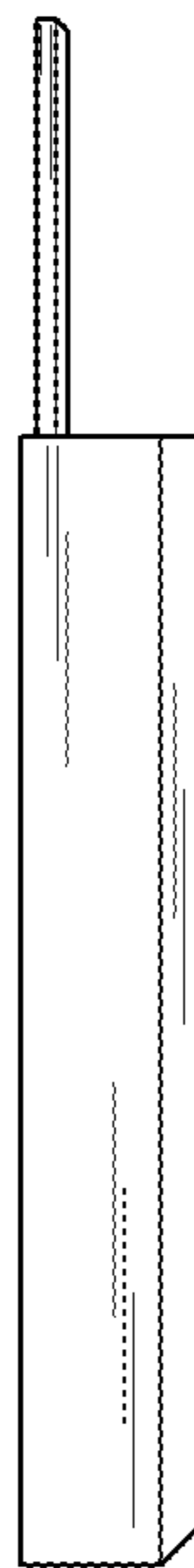


FIG. 14

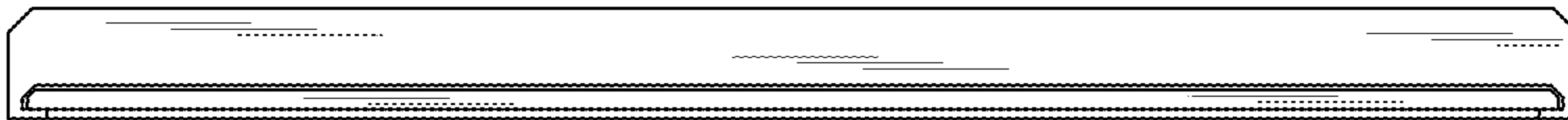


FIG. 15

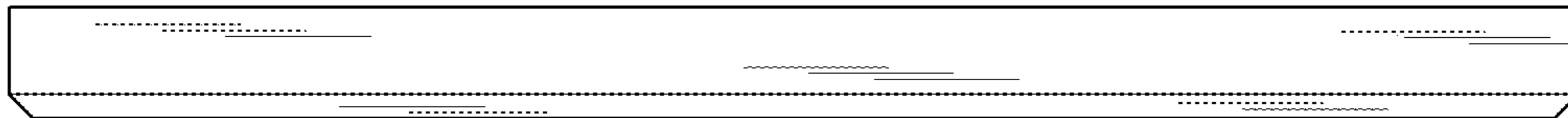


FIG. 16

