



US00D930557S

(12) **United States Design Patent**  
**Song et al.**

(10) **Patent No.:** **US D930,557 S**

(45) **Date of Patent:** **\*\* Sep. 14, 2021**

(54) **DASHBOARD WITH A DISPLAY PANEL FOR AUTOMOBILE**

D913,174 S \* 3/2021 Kim ..... D12/192  
D913,199 S \* 3/2021 Song ..... D12/415  
D913,200 S \* 3/2021 Kang ..... D12/415

(Continued)

(71) Applicant: **LG ELECTRONICS INC.**, Seoul (KR)

*Primary Examiner* — Katrina A Betton

(72) Inventors: **Seunghwan Song**, Seoul (KR);  
**Sanghyeun Son**, Seoul (KR); **Inkoo Shim**, Seoul (KR)

(74) *Attorney, Agent, or Firm* — Birch, Stewart, Kolasch & Birch, LLP

(73) Assignee: **LG ELECTRONICS INC.**, Seoul (KR)

(57) **CLAIM**

We claim the ornamental design for a dashboard with a display panel for automobile, as shown and described.

(\*\*) Term: **15 Years**

**DESCRIPTION**

(21) Appl. No.: **29/736,569**

(22) Filed: **Jun. 1, 2020**

(30) **Foreign Application Priority Data**

Dec. 5, 2019 (KR) ..... 30-2019-0058882

(51) **LOC (13) Cl.** ..... **12-16**

(52) **U.S. Cl.**  
USPC ..... **D12/415**

(58) **Field of Classification Search**  
USPC ..... D12/415, 419, 192; D7/620  
CPC .. B60R 13/02; B60N 2/46; B60N 3/10; B60Q 3/64; B60Q 3/225  
See application file for complete search history.

FIG. 1 is a perspective view of a dashboard with a display panel for automobile showing a state of the display panel folded;

FIG. 2 is a front elevation view thereof;

FIG. 3 is a rear elevation view thereof;

FIG. 4 is a left-side elevation view thereof;

FIG. 5 is a right-side elevation view thereof;

FIG. 6 is a top plan view thereof;

FIG. 7 is a bottom plan view thereof;

FIG. 8 is a perspective view showing a state of use thereof;

FIG. 9 is a perspective view of a dashboard with a display panel for automobile showing a state of the display panel unfolded;

FIG. 10 is a front elevation view thereof;

FIG. 11 is a rear elevation view thereof;

FIG. 12 is a left-side elevation view thereof;

FIG. 13 is a right-side elevation view thereof;

FIG. 14 is a top plan view thereof;

FIG. 15 is a bottom plan view thereof; and,

FIG. 16 is a perspective view showing a state of use thereof.

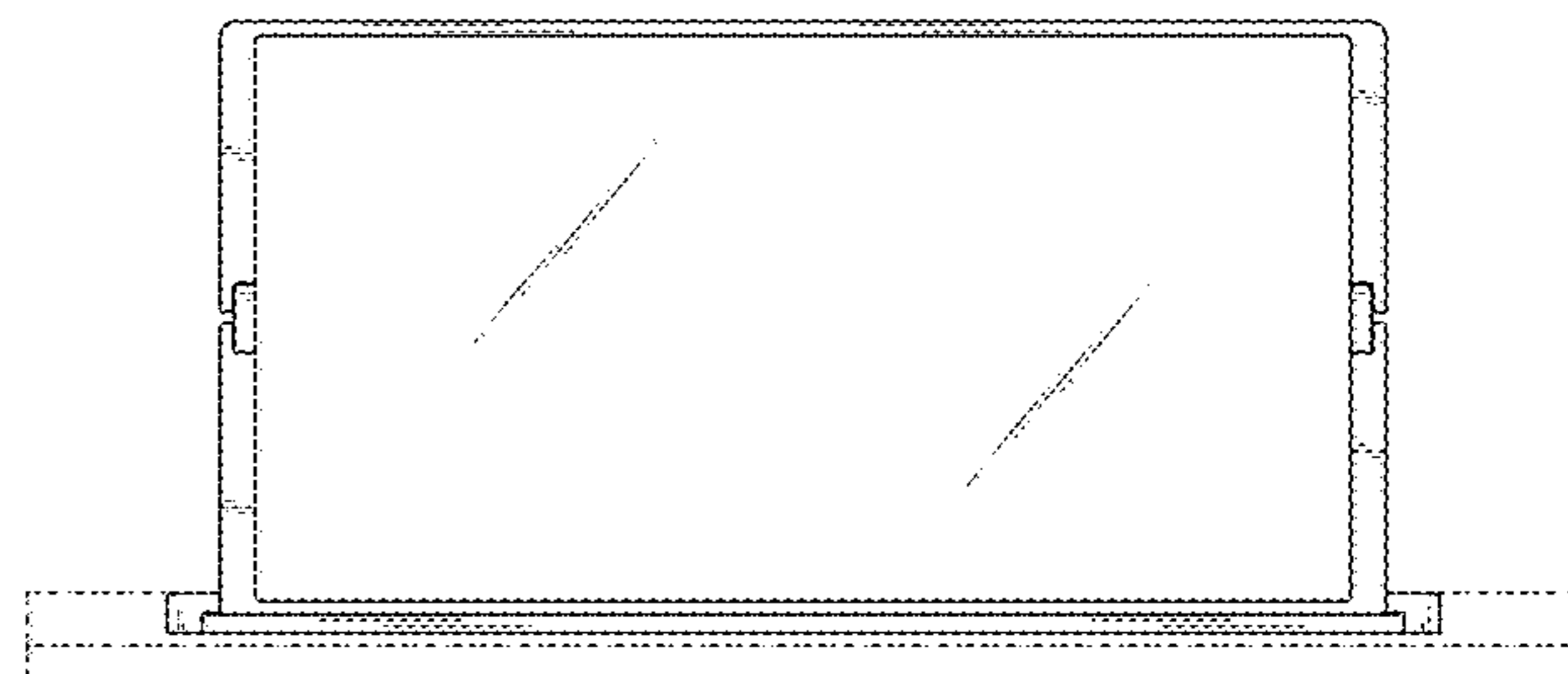
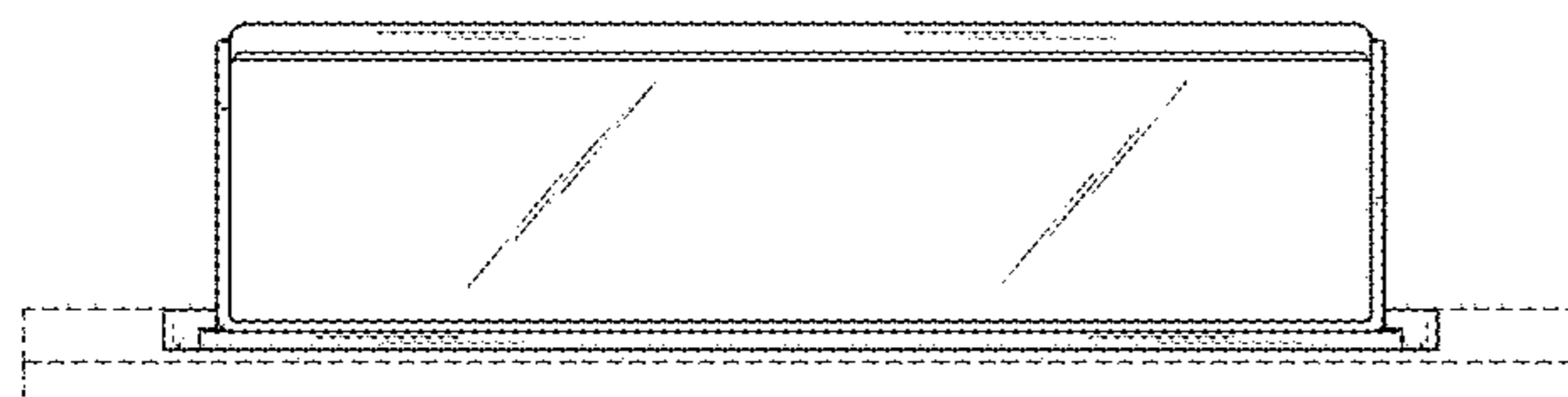
The broken lines in the drawing figures are for purpose of illustrating an environment of use and form no part of the claimed design.

(56) **References Cited**

U.S. PATENT DOCUMENTS

D534,468 S \* 1/2007 Colburn ..... D12/192  
D725,579 S \* 3/2015 Becouarn ..... D12/345  
D808,874 S \* 1/2018 Gao ..... D12/192  
D877,689 S \* 3/2020 Watola ..... D12/415  
D878,988 S \* 3/2020 Ryou ..... D12/192  
D903,560 S \* 12/2020 Takamura ..... D12/192  
D906,206 S \* 12/2020 Choi ..... D12/192  
D913,173 S \* 3/2021 Kim ..... D12/192

**1 Claim, 16 Drawing Sheets**



(56)

**References Cited**

U.S. PATENT DOCUMENTS

D916,421 S \* 4/2021 Niebuhr ..... B60K 37/00  
D34/35

\* cited by examiner

FIG. 1

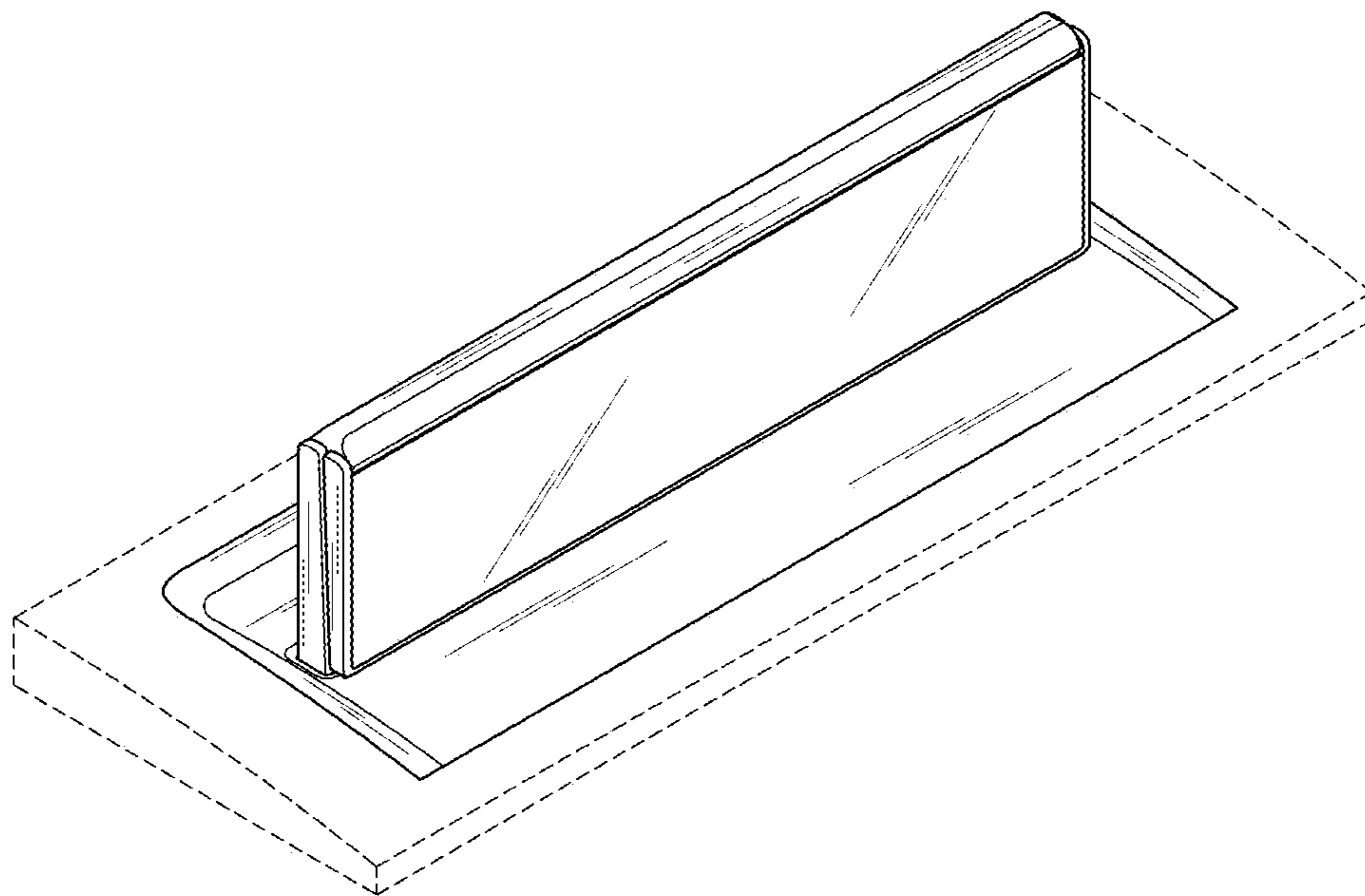


FIG. 2

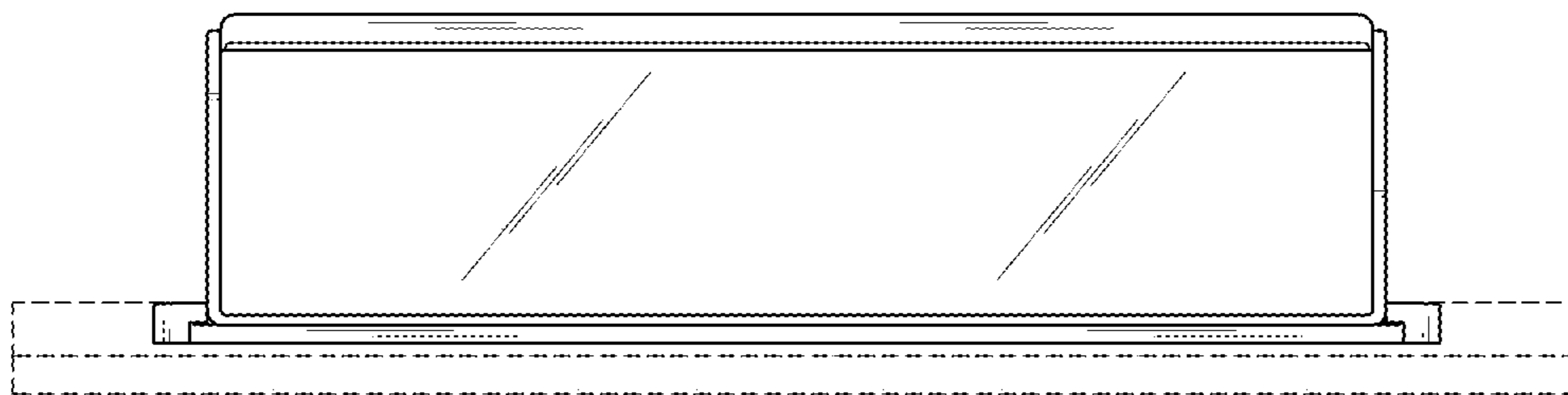


FIG. 3

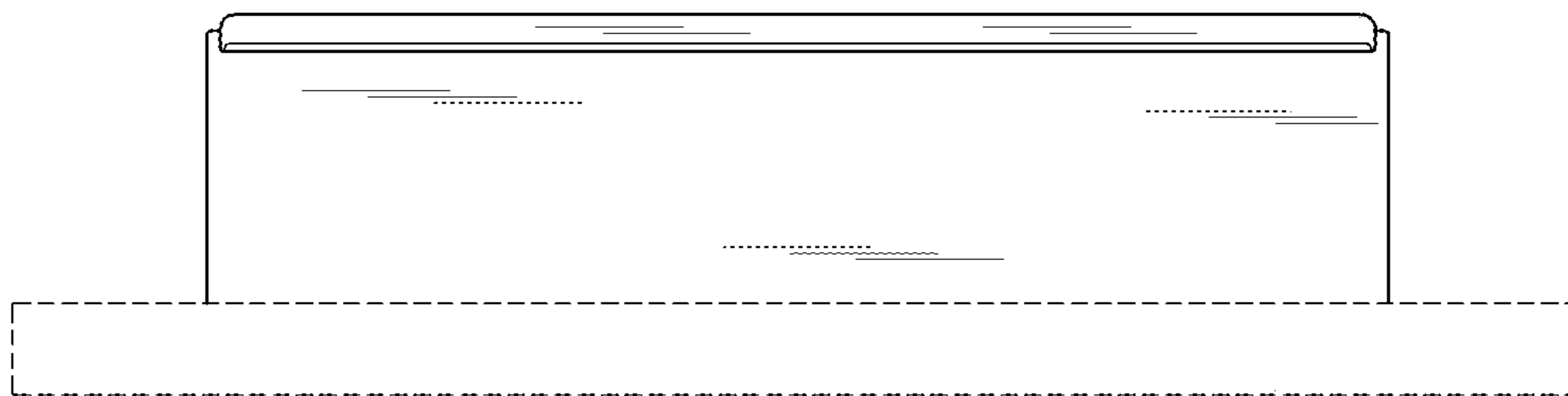


FIG. 4

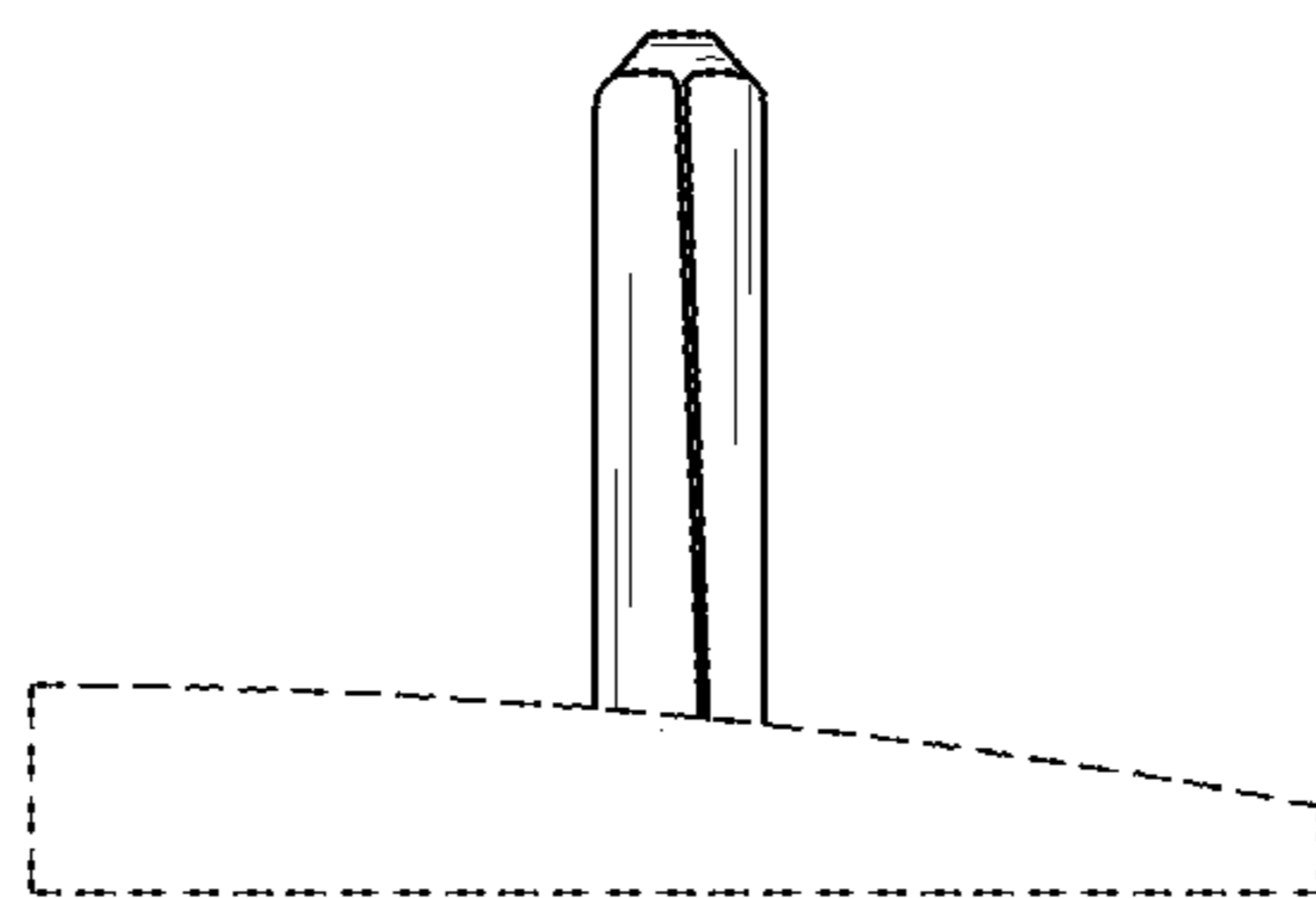


FIG. 5

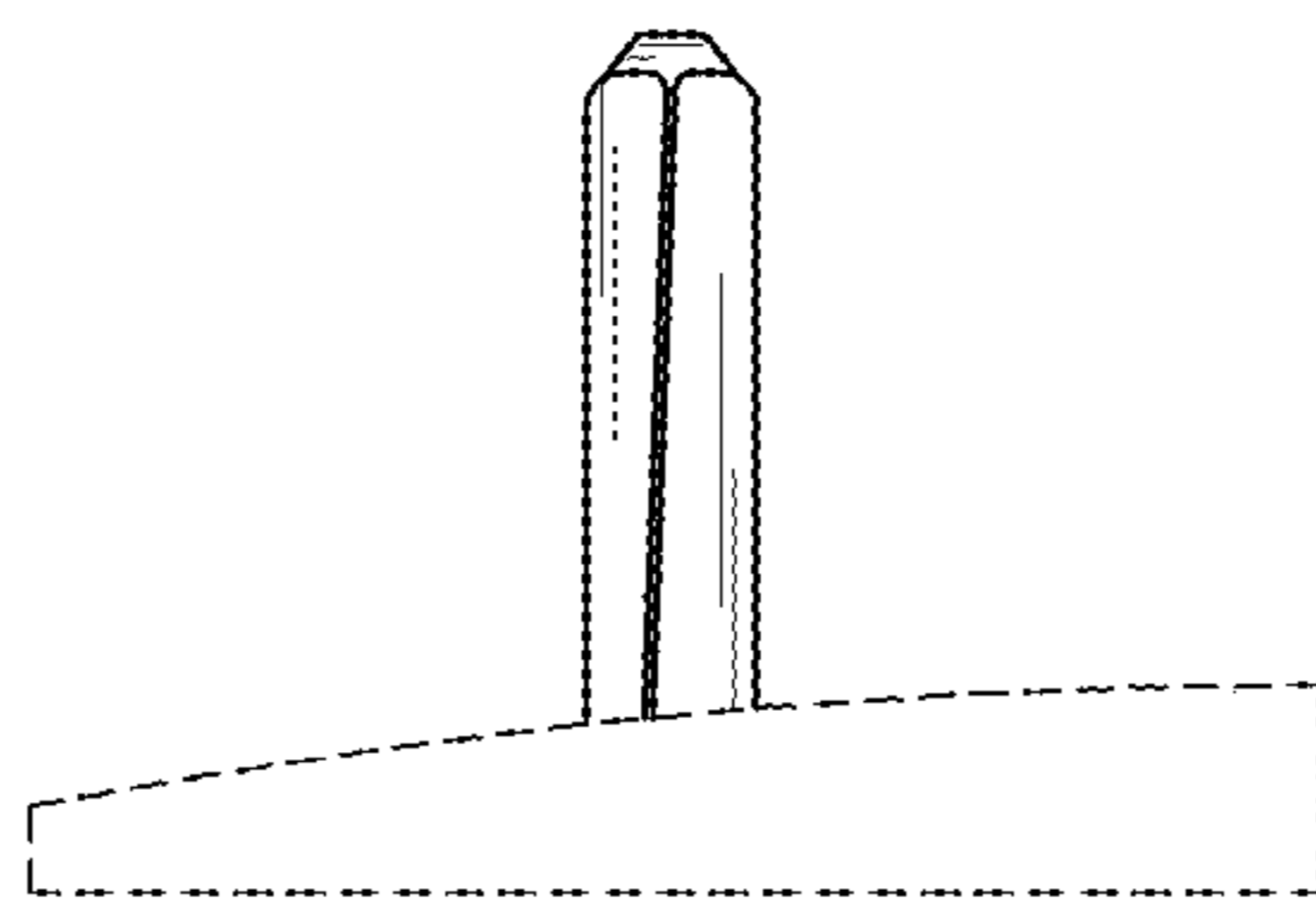


FIG. 6

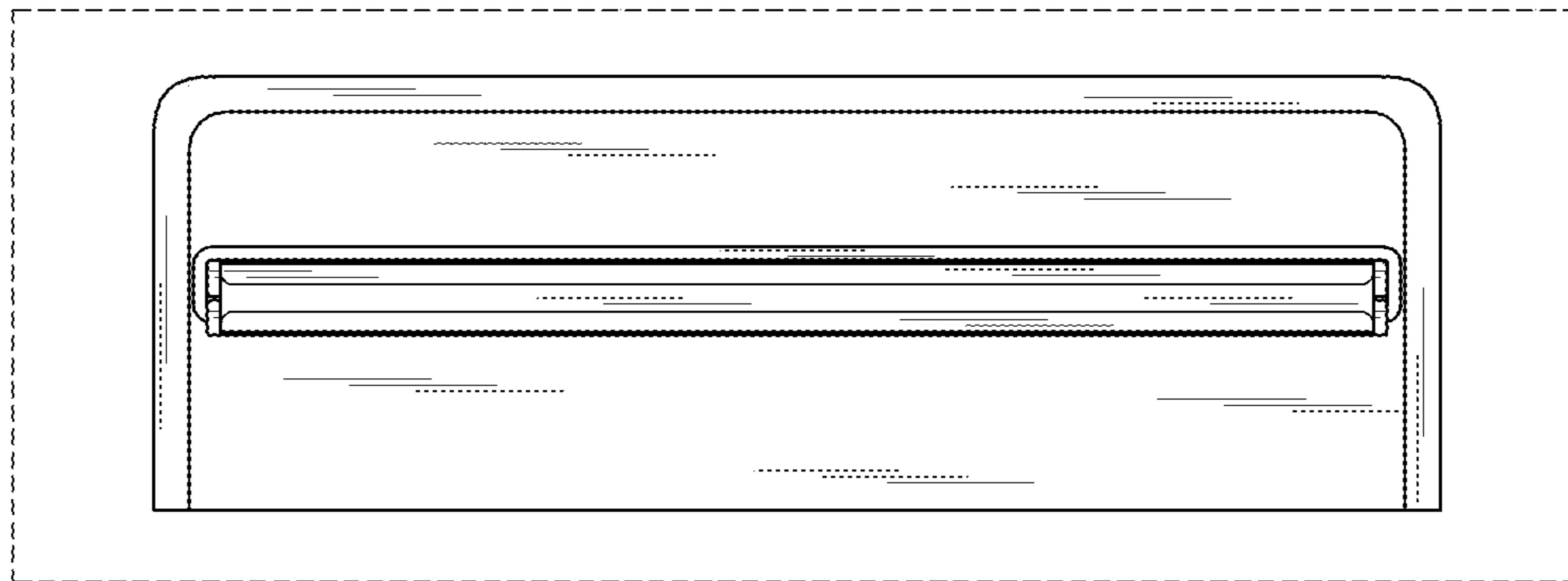




FIG. 7



FIG. 8

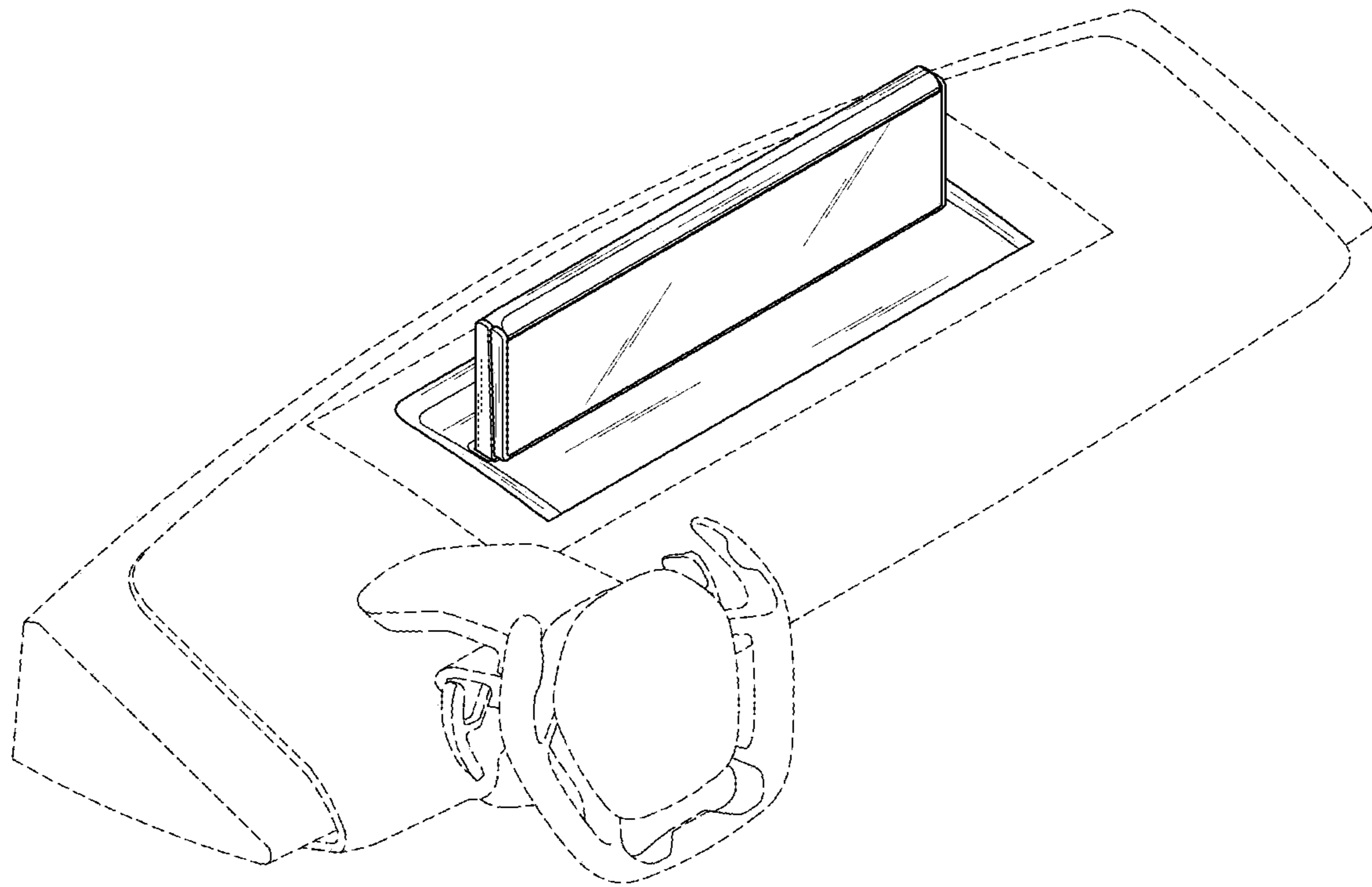


FIG. 9

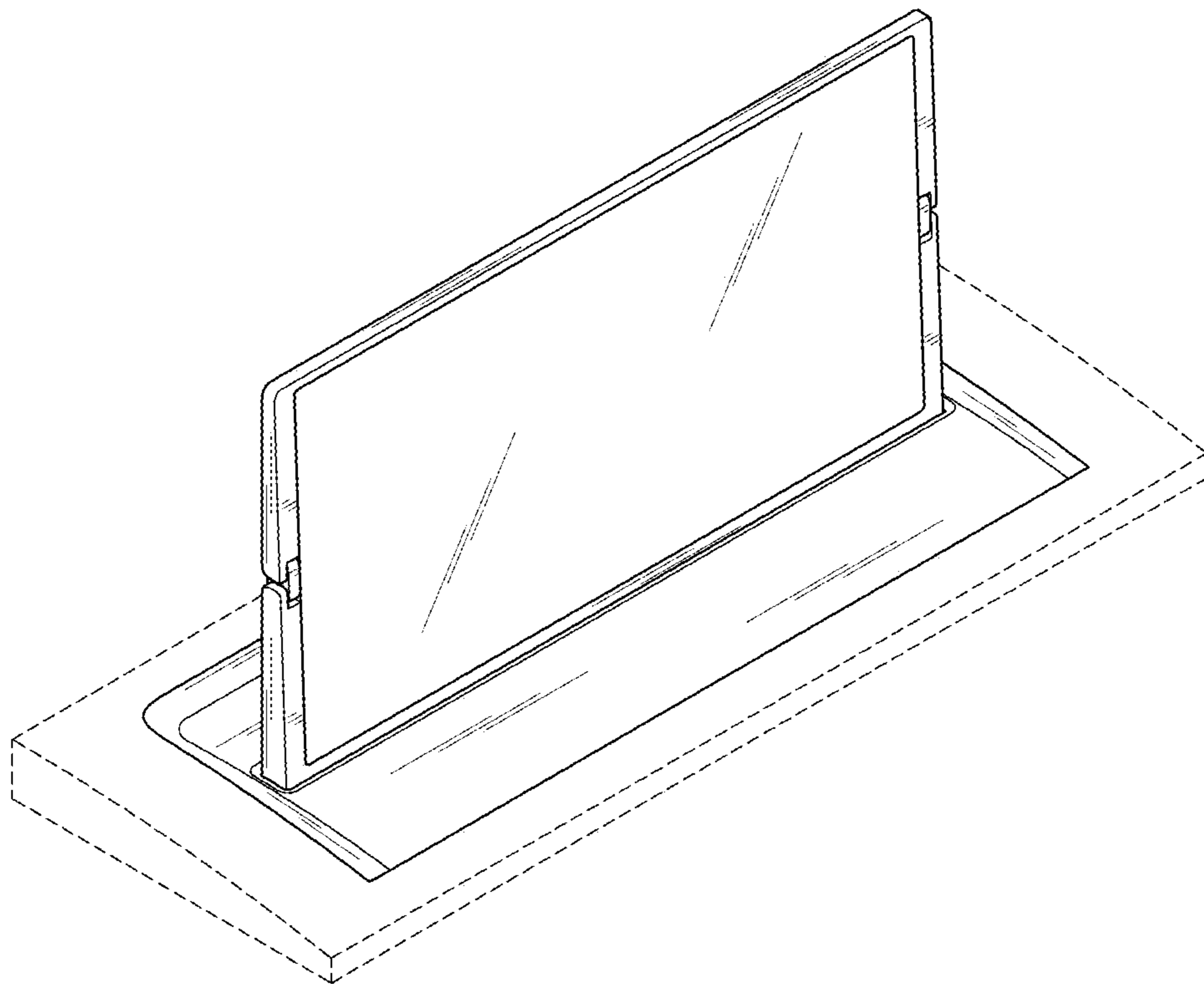


FIG. 10

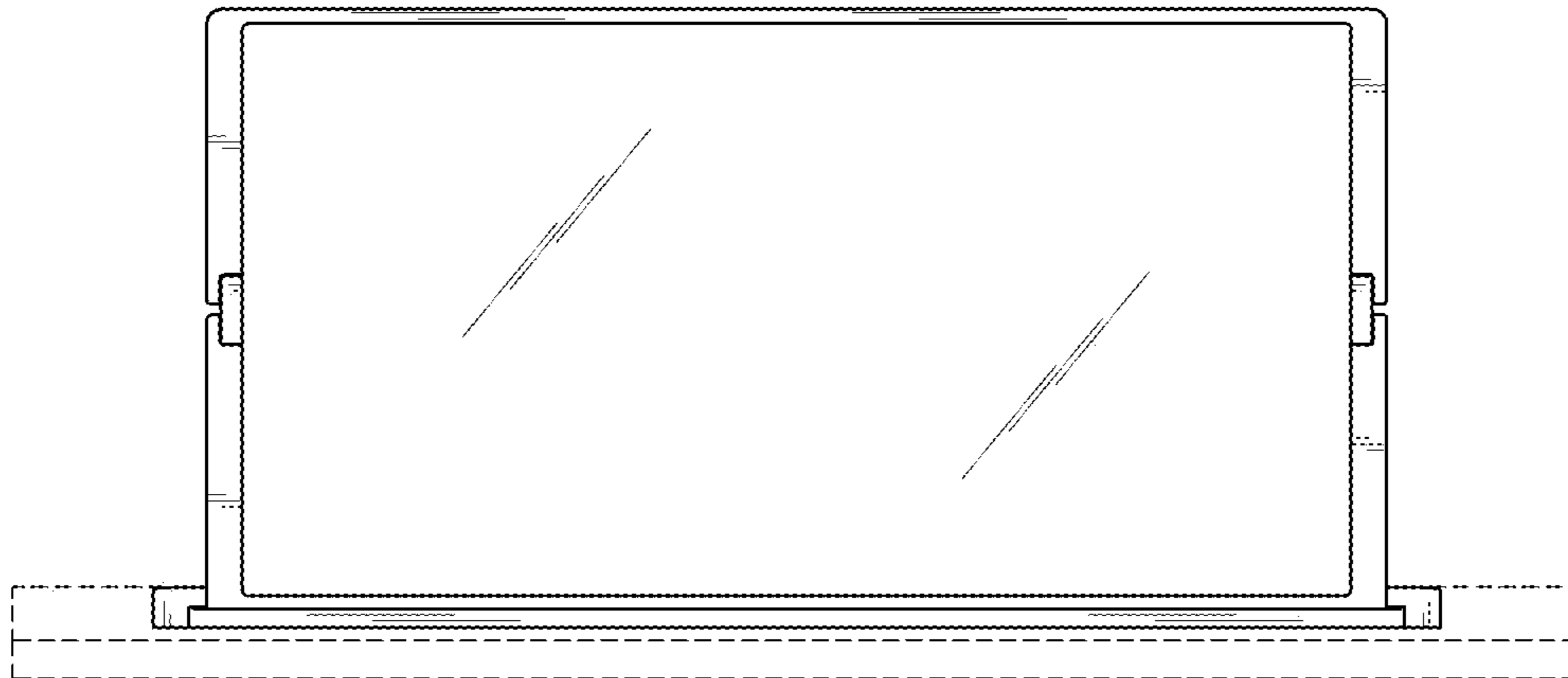


FIG. 11

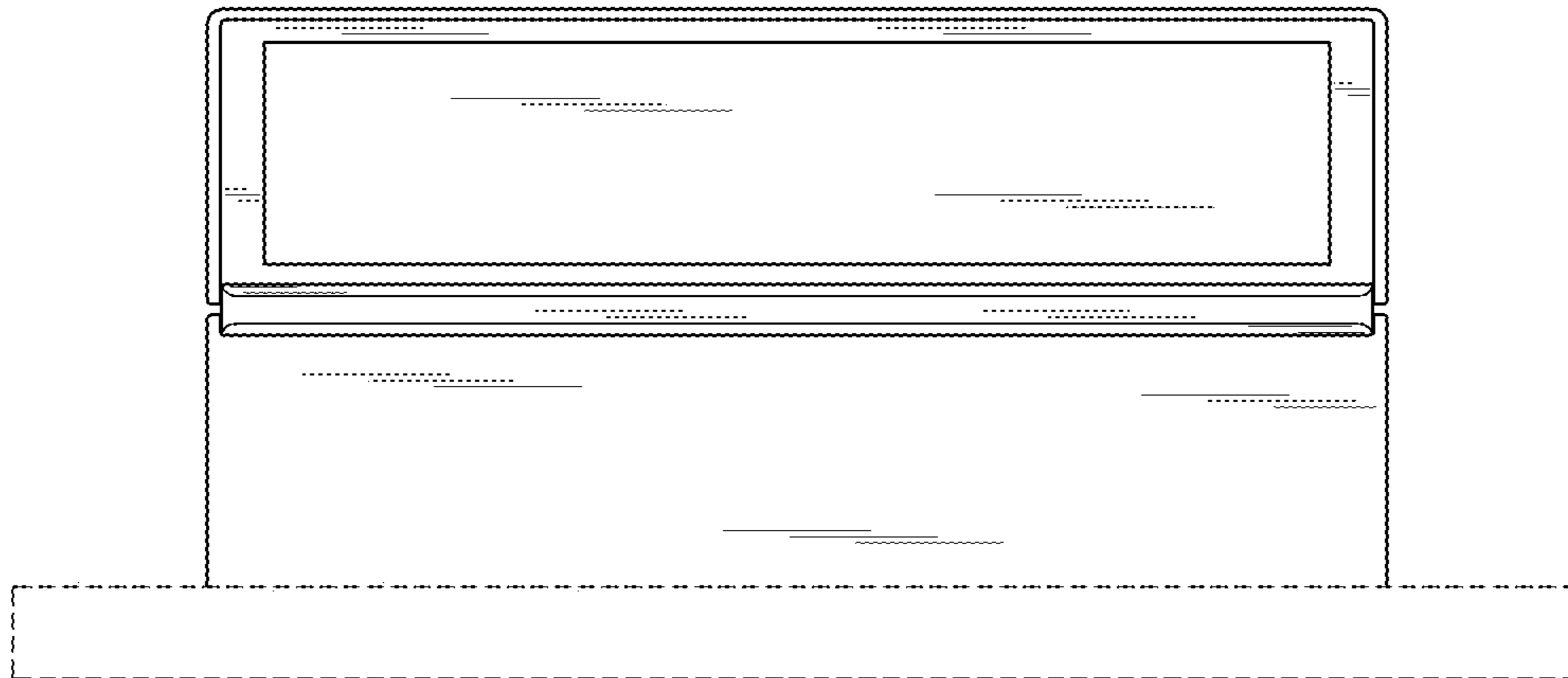


FIG. 12

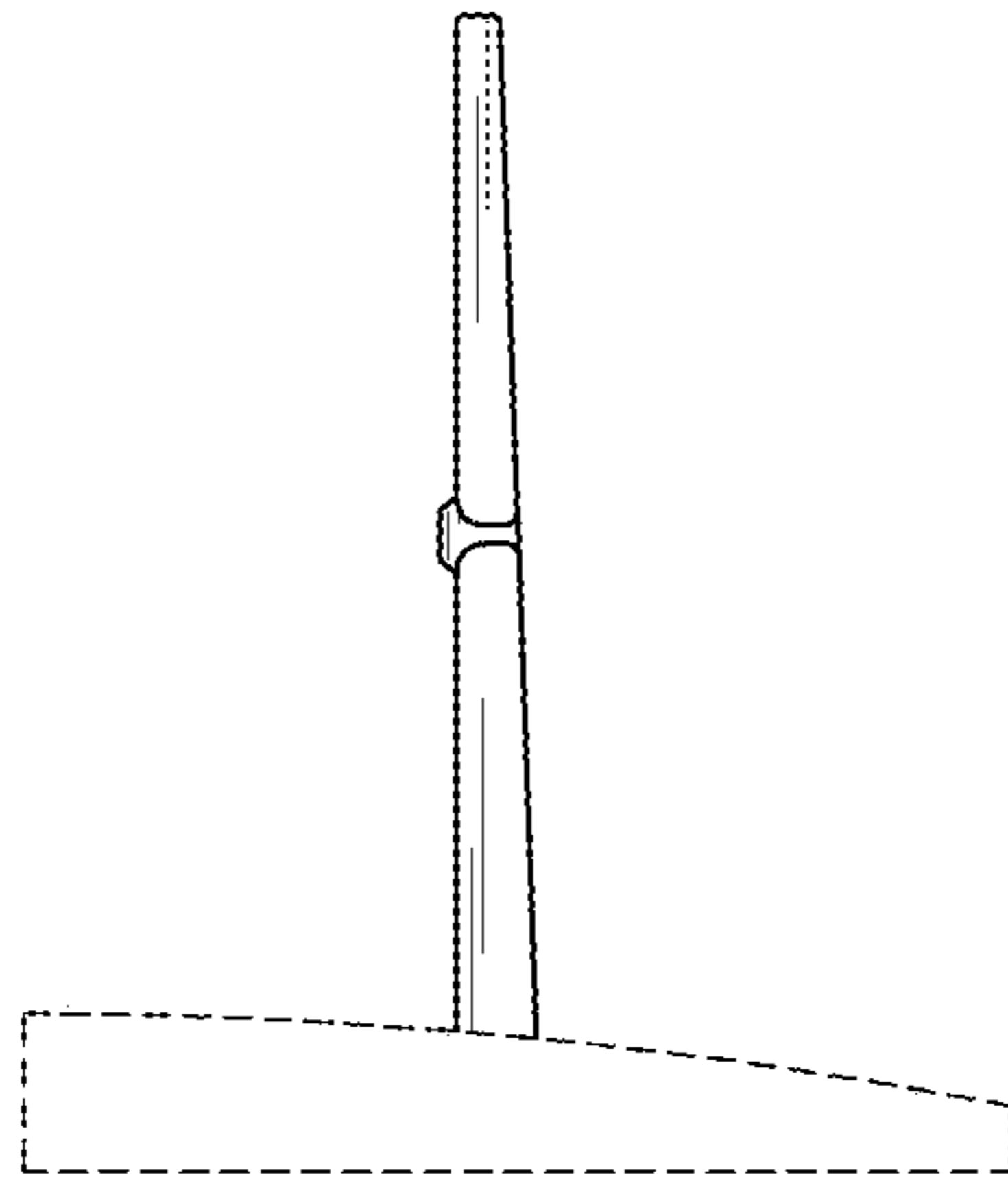


FIG. 13

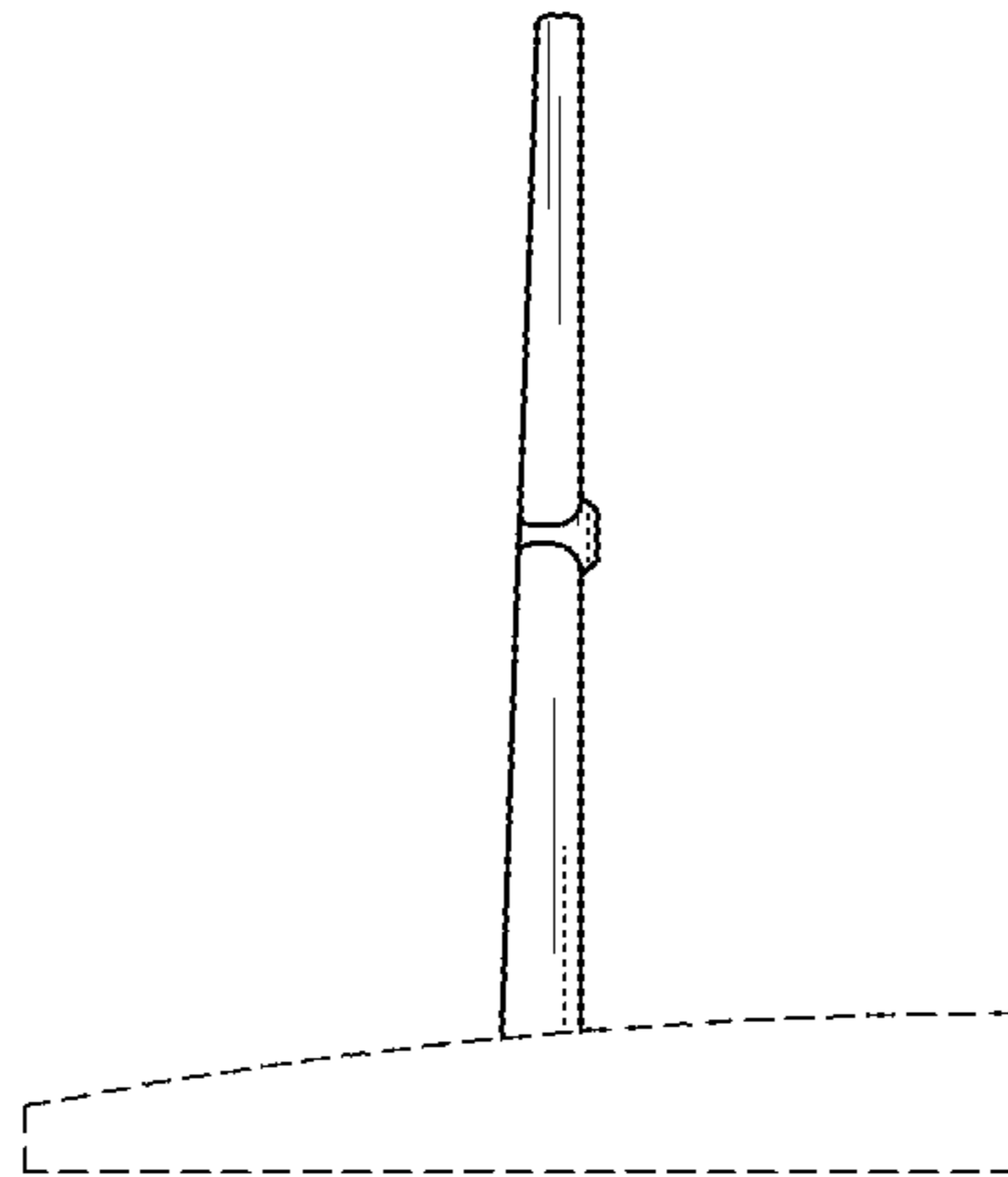


FIG. 14

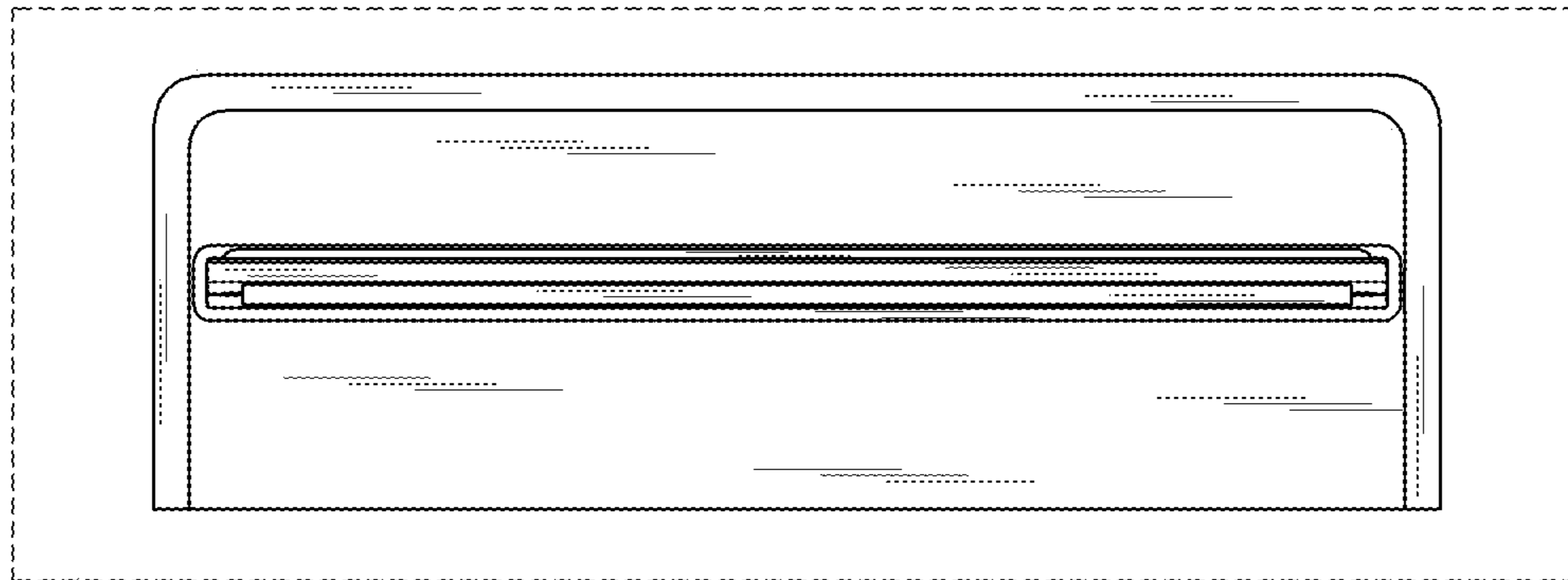




FIG. 15

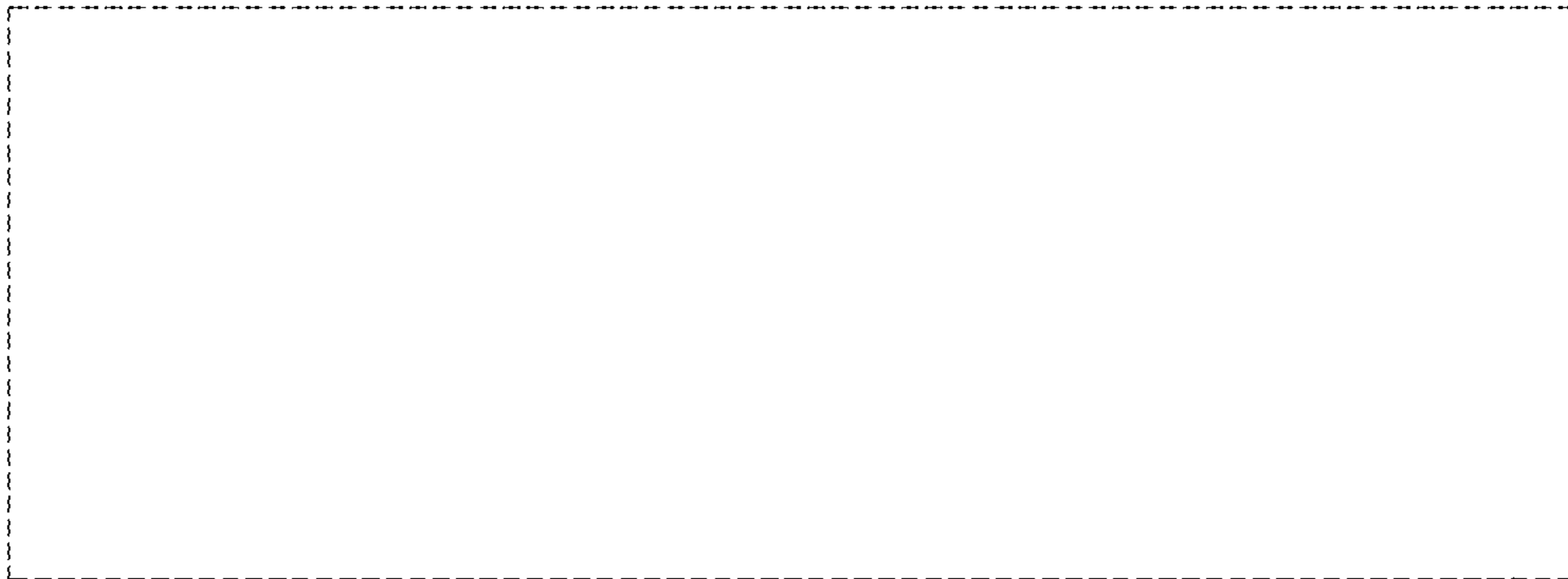


FIG. 16

