



US00D930556S

(12) **United States Design Patent**  
**Kang et al.**

(10) **Patent No.:** **US D930,556 S**  
(45) **Date of Patent:** **\*\* Sep. 14, 2021**

(54) **DISPLAY PANEL FOR AUTOMOBILE**

(71) Applicant: **LG ELECTRONICS INC.**, Seoul (KR)

(72) Inventors: **Seungmo Kang**, Seoul (KR);  
**Sanghyeun Son**, Seoul (KR); **Inkoo Shim**, Seoul (KR)

(73) Assignee: **LG ELECTRONICS INC.**, Seoul (KR)

(\*\*) Term: **15 Years**

(21) Appl. No.: **29/736,550**

(22) Filed: **Jun. 1, 2020**

(30) **Foreign Application Priority Data**

Dec. 5, 2019 (KR) ..... 30-2019-0058885

(51) **LOC (13) Cl.** ..... **12-16**

(52) **U.S. Cl.**  
USPC ..... **D12/415**

(58) **Field of Classification Search**  
USPC ..... D12/415, 419, 192; D7/620  
CPC .. B60R 13/02; B60N 2/46; B60N 3/10; B60Q 3/64; B60Q 3/225  
See application file for complete search history.

(56) **References Cited**

**U.S. PATENT DOCUMENTS**

|              |         |          |       |         |
|--------------|---------|----------|-------|---------|
| D534,468 S * | 1/2007  | Colburn  | ..... | D12/192 |
| D725,579 S * | 3/2015  | Becouarn | ..... | D12/345 |
| D808,874 S * | 1/2018  | Gao      | ..... | D12/192 |
| D877,689 S * | 3/2020  | Watola   | ..... | D12/415 |
| D878,988 S * | 3/2020  | Ryou     | ..... | D12/192 |
| D903,560 S * | 12/2020 | Takamura | ..... | D12/192 |
| D906,206 S * | 12/2020 | Choi     | ..... | D12/192 |
| D913,173 S * | 3/2021  | Kim      | ..... | D12/192 |

|              |        |         |       |                      |
|--------------|--------|---------|-------|----------------------|
| D913,174 S * | 3/2021 | Kim     | ..... | D12/192              |
| D913,199 S * | 3/2021 | Song    | ..... | D12/415              |
| D913,200 S * | 3/2021 | Kang    | ..... | D12/415              |
| D916,421 S * | 4/2021 | Niebuhr | ..... | B60K 37/00<br>D34/35 |

\* cited by examiner

*Primary Examiner* — Katrina A Betton

(74) *Attorney, Agent, or Firm* — Birch, Stewart, Kolasch & Birch, LLP

(57) **CLAIM**

We claim the ornamental design for a display panel for automobile, as shown and described.

**DESCRIPTION**

FIG. 1 is a front perspective view of a display panel for automobile showing the new design;  
FIG. 2 is a rear perspective view thereof;  
FIG. 3 is a front elevation view thereof;  
FIG. 4 is a rear elevation view thereof;  
FIG. 5 is a left -side elevation view thereof;  
FIG. 6 is a right -side elevation view thereof;  
FIG. 7 is a top plan view thereof;  
FIG. 8 is a bottom plan view thereof;  
FIG. 9 is a perspective view showing a state of use thereof;  
FIG. 10 is a front perspective view of a display panel for automobile showing a state of the display panel rolled down;  
FIG. 11 is a rear perspective view thereof;  
FIG. 12 is a front elevation view thereof;  
FIG. 13 is a rear elevation view thereof;  
FIG. 14 is a left -side elevation view thereof;  
FIG. 15 is a right -side elevation view thereof;  
FIG. 16 is a top plan view thereof;  
FIG. 17 is a bottom plan view thereof; and,  
FIG. 18 is a perspective view showing a state of use thereof.  
The parts shown by means of broken lines in the drawing figures are not part of the claimed design.

**1 Claim, 18 Drawing Sheets**

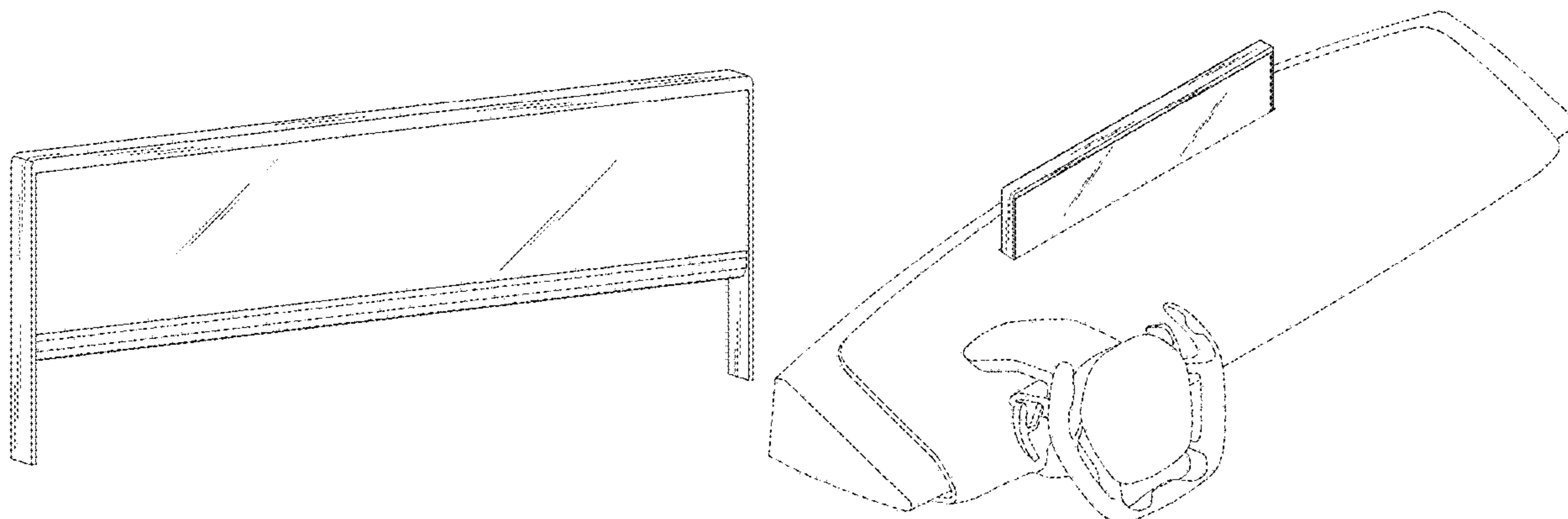


FIG. 1

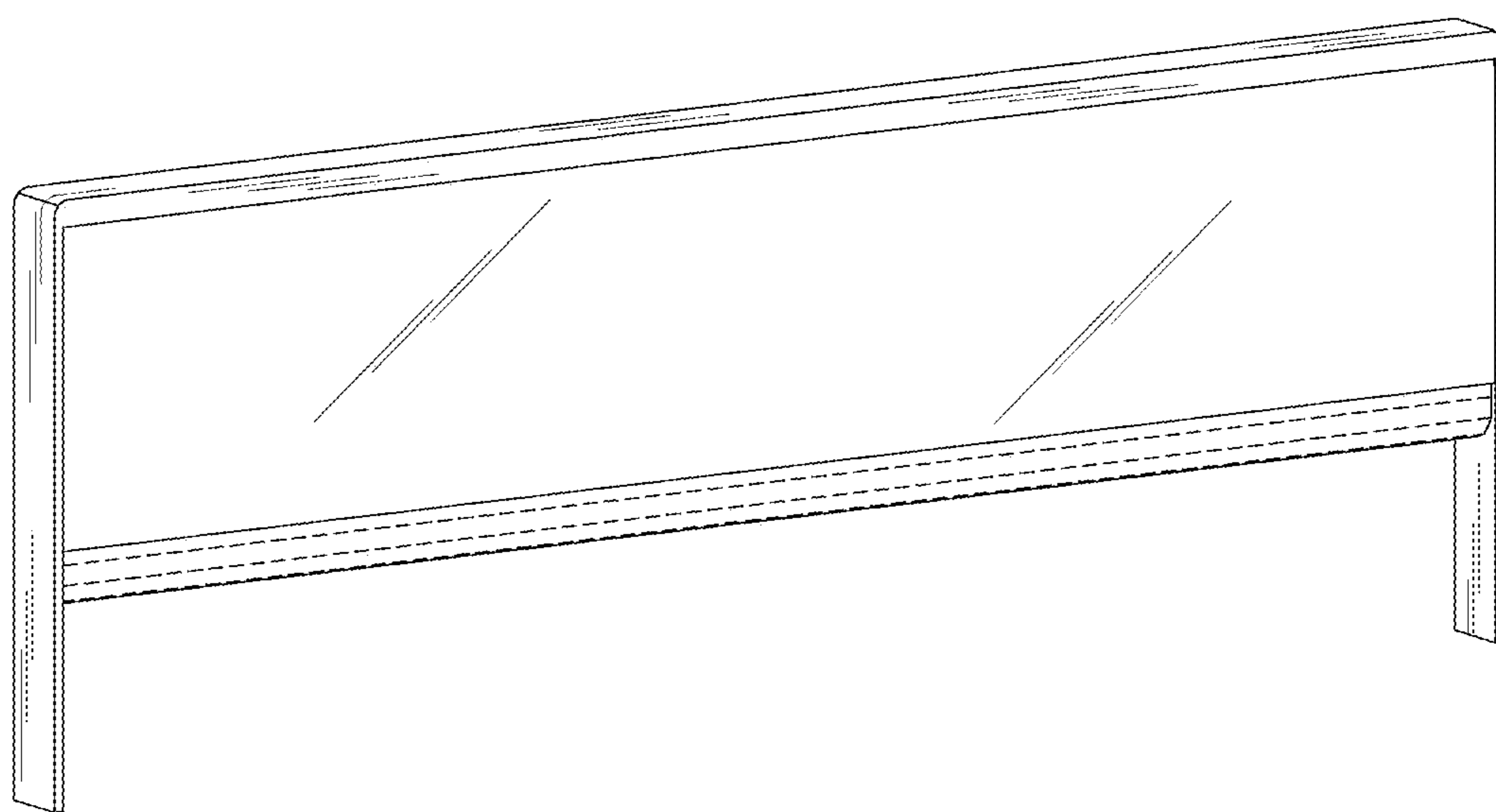


FIG. 2

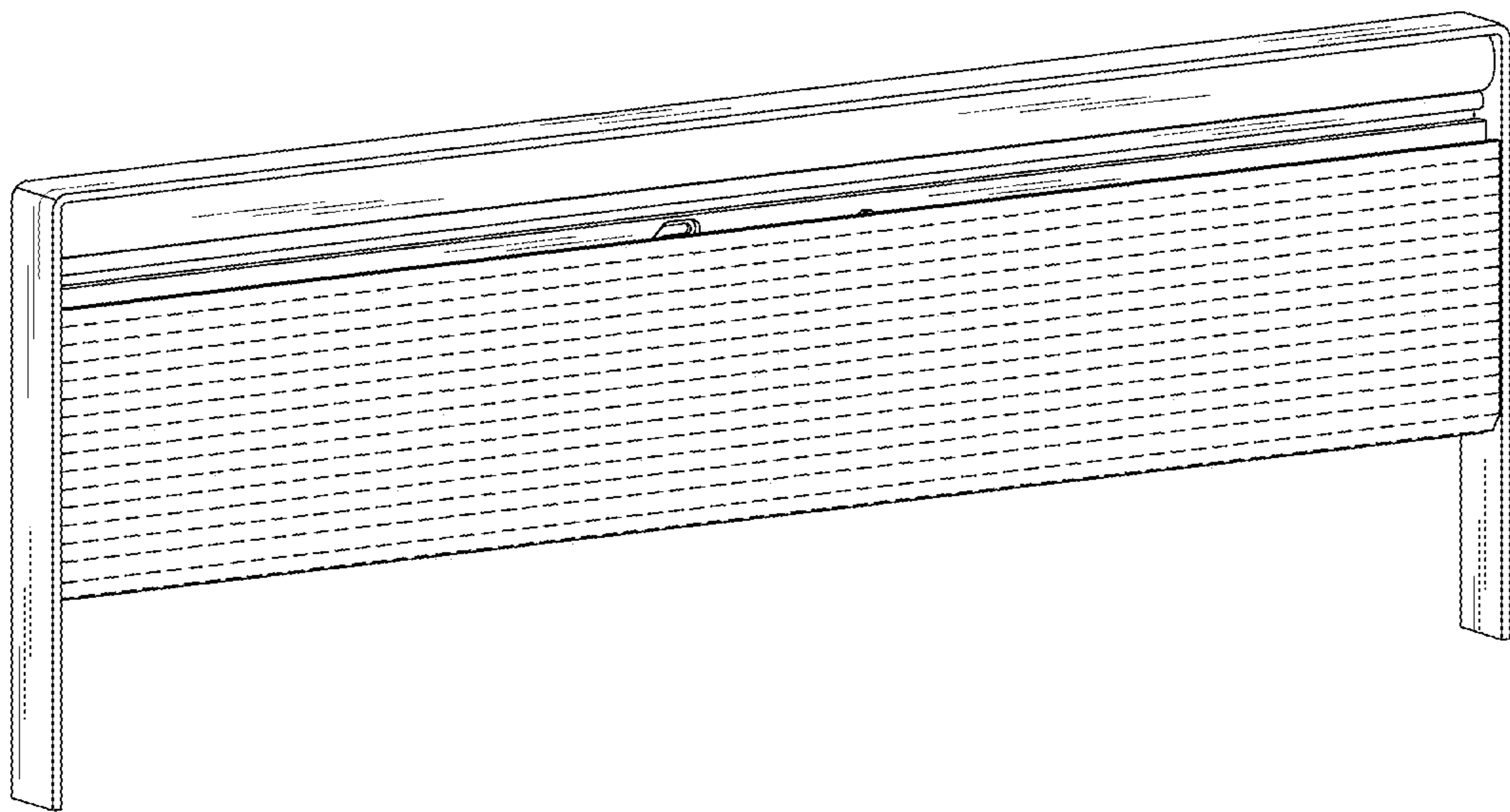


FIG. 3

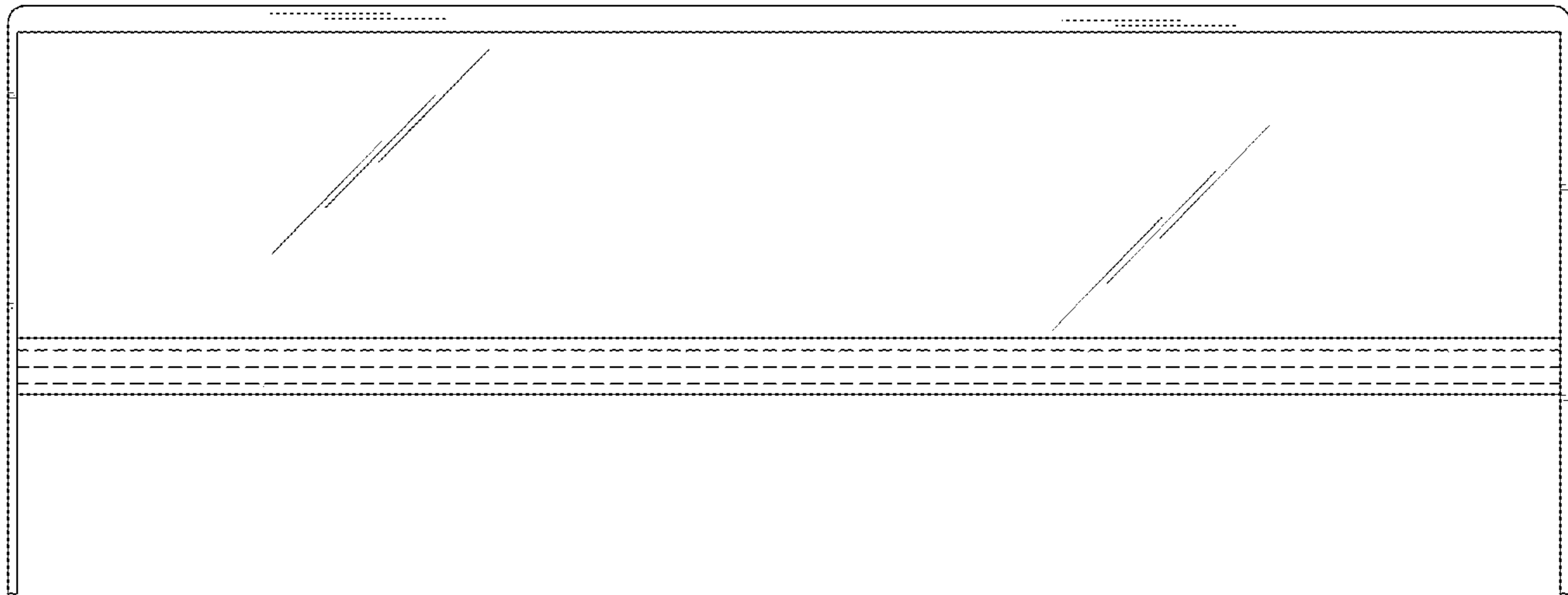


FIG. 4

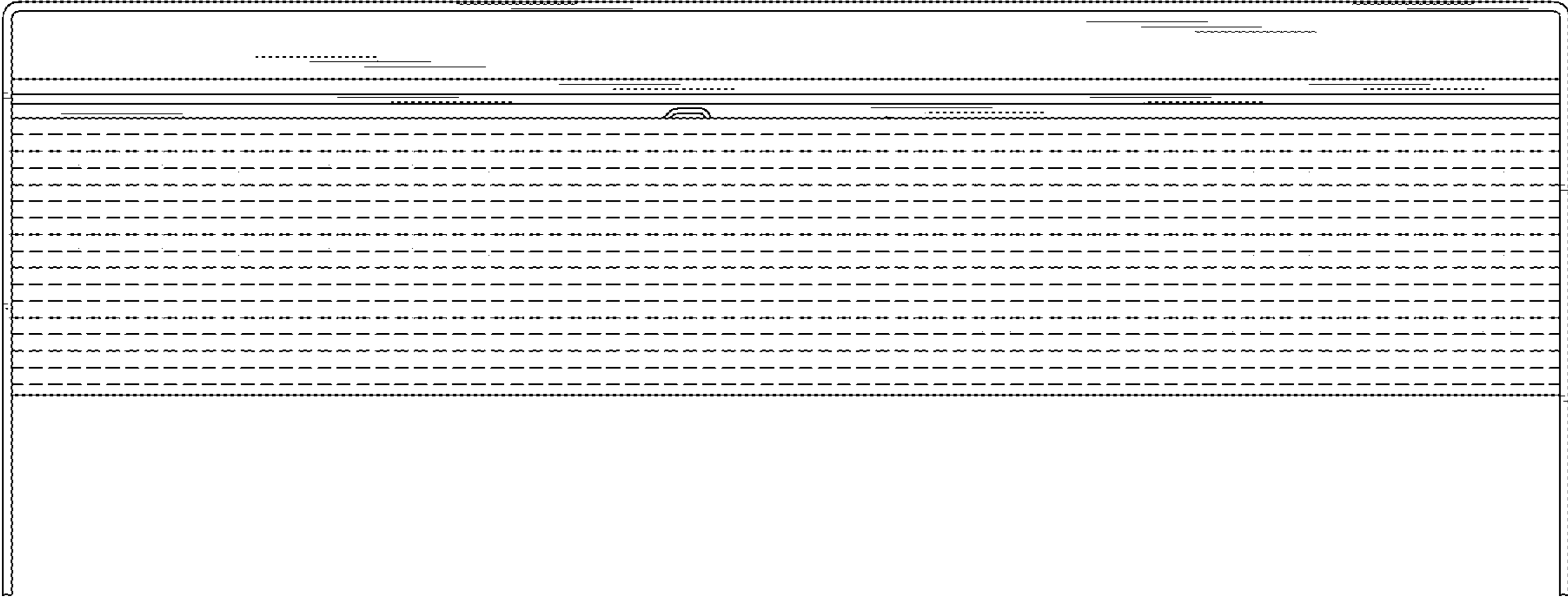


FIG. 5



FIG. 6



FIG. 7

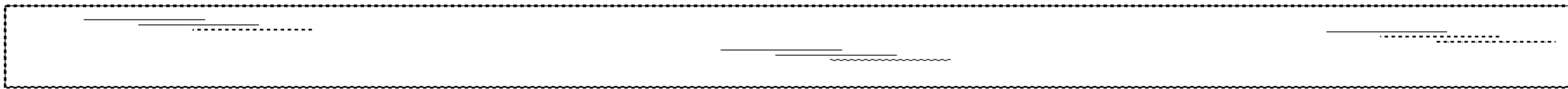




FIG. 8

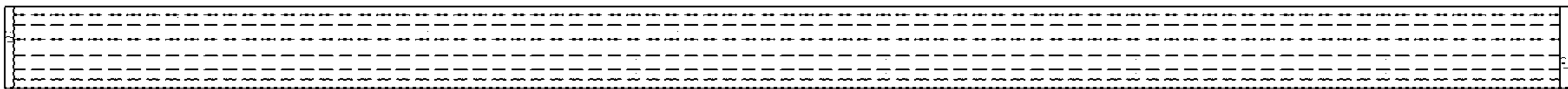


FIG. 9

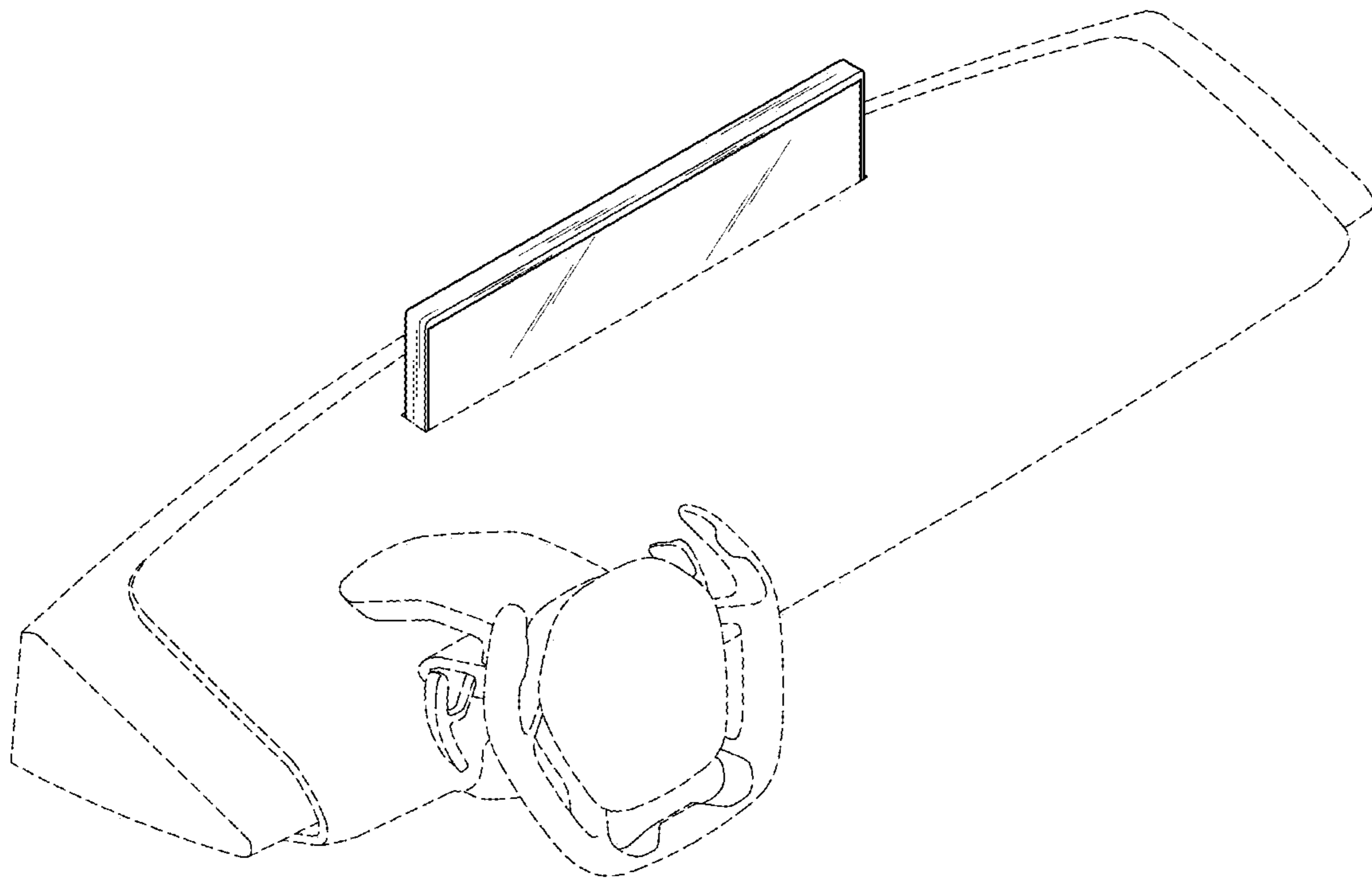


FIG. 10

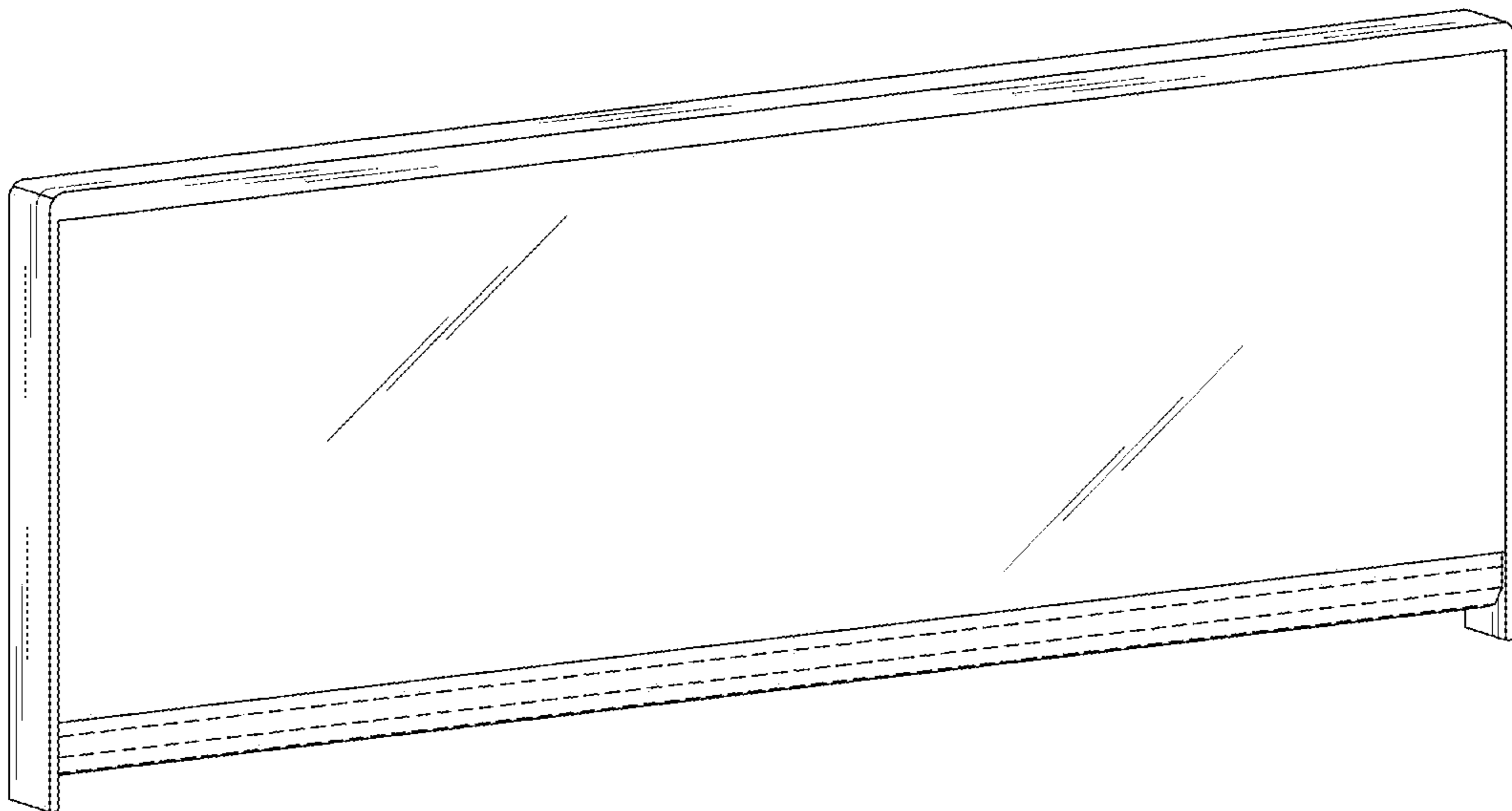


FIG. 11

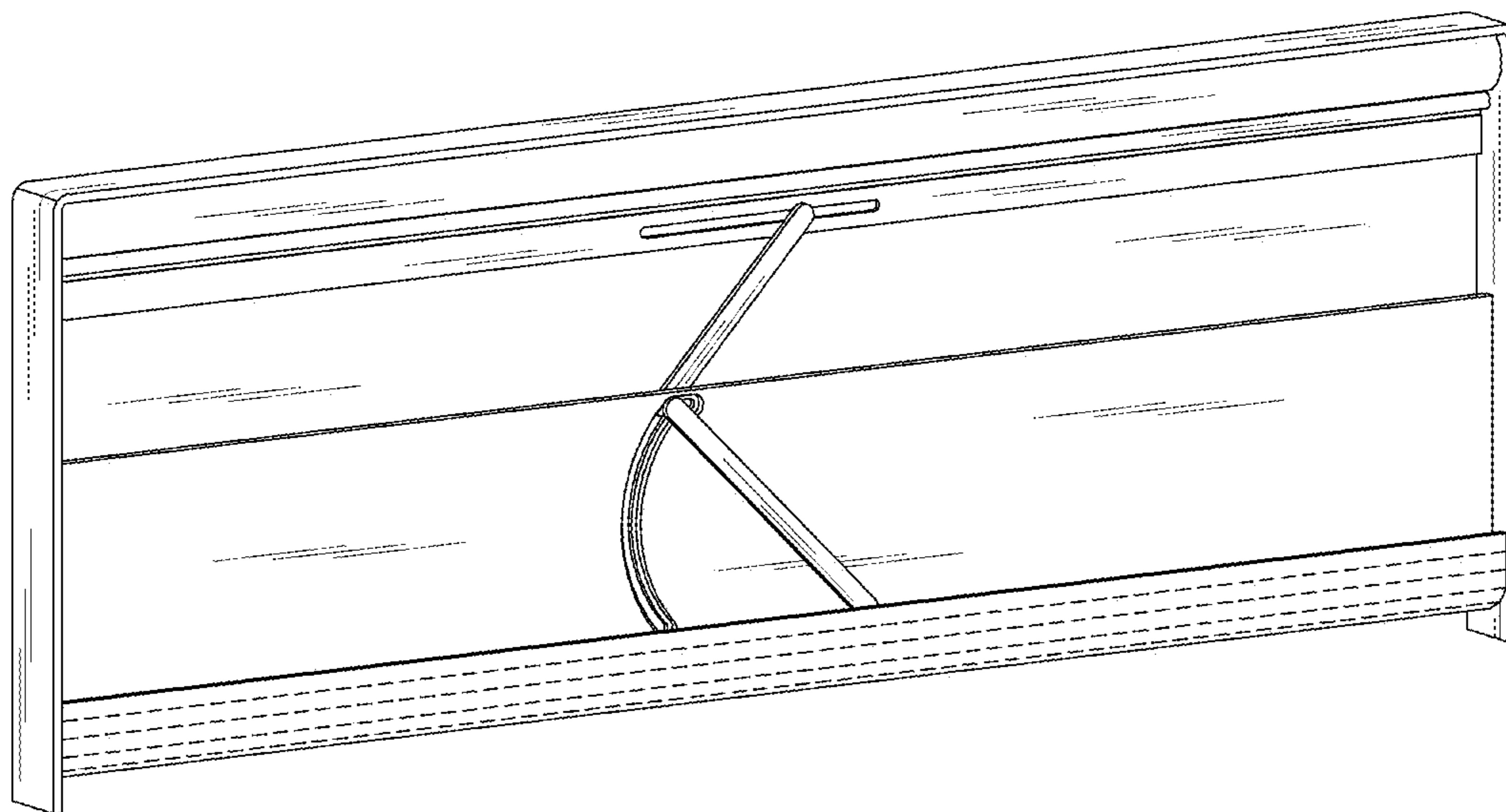


FIG. 12

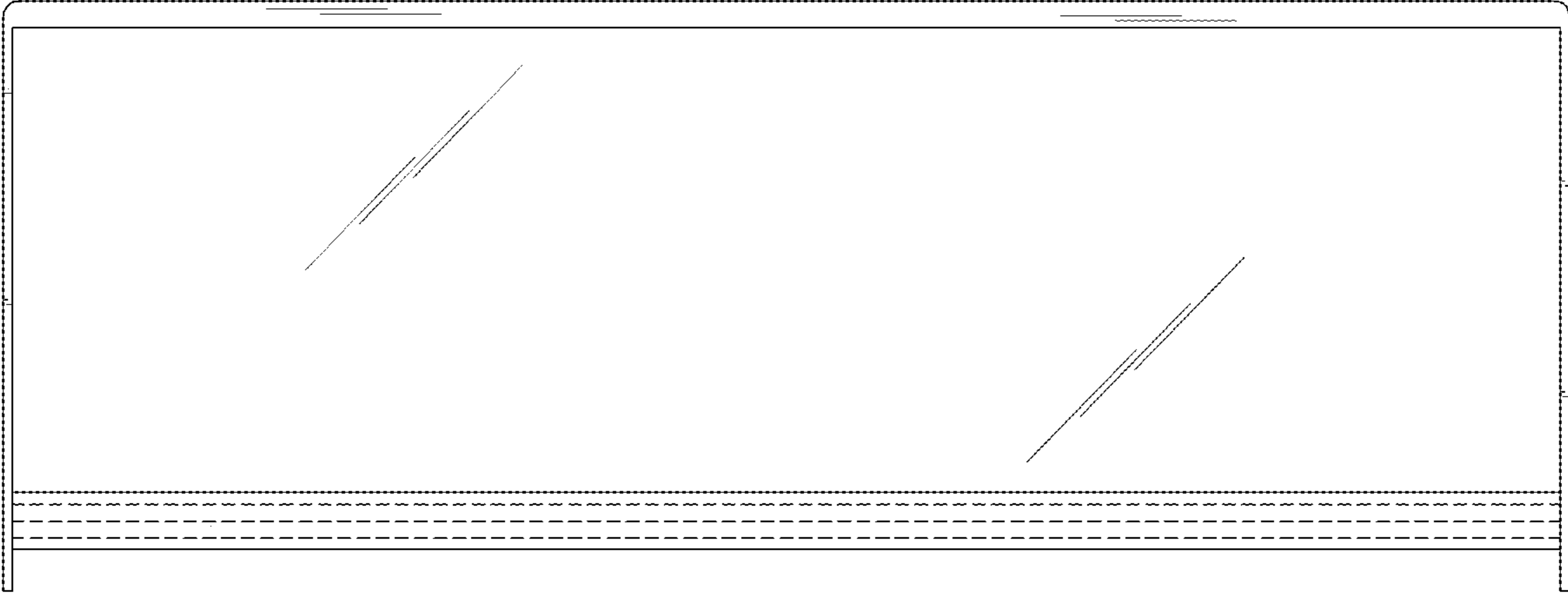


FIG. 13

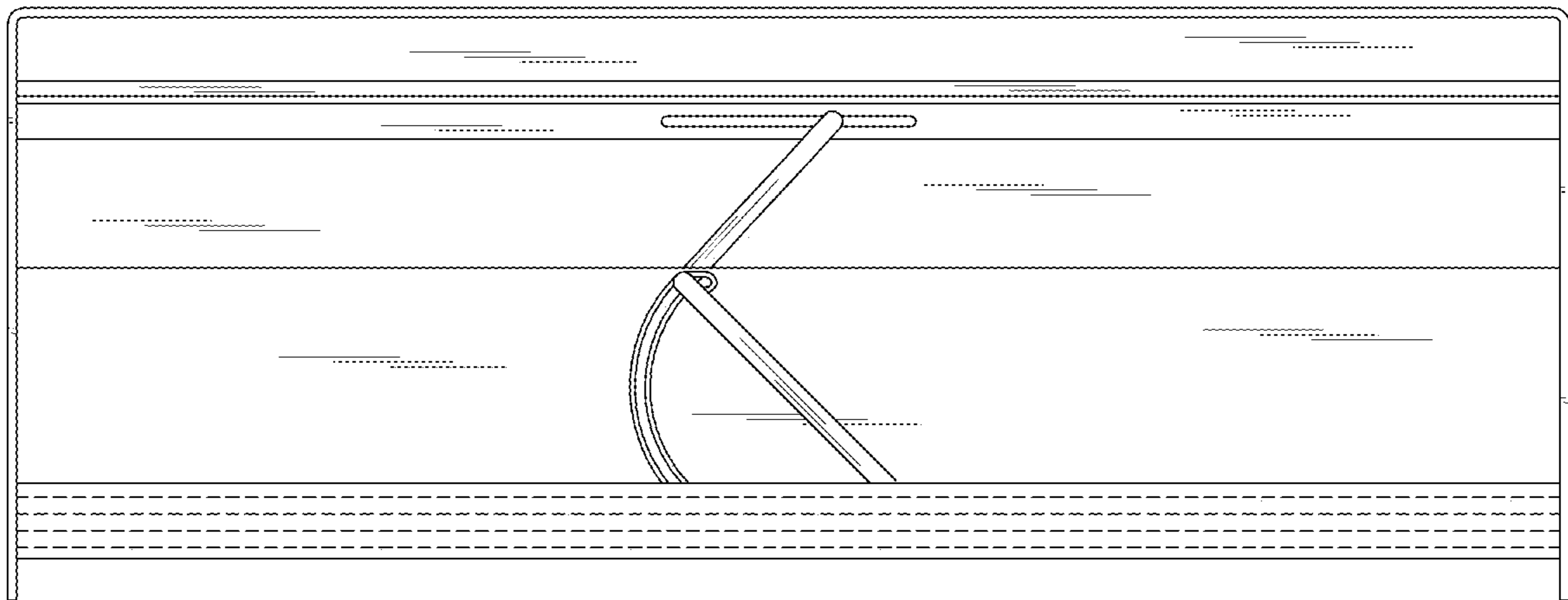


FIG. 14

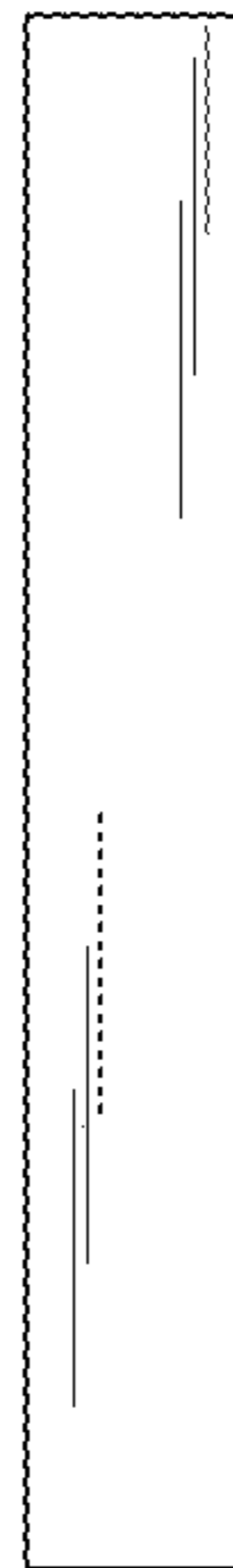


FIG. 15





FIG. 16

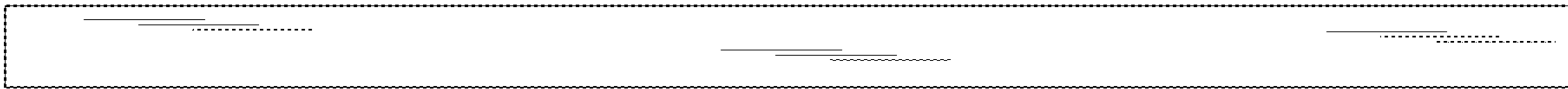


FIG. 17

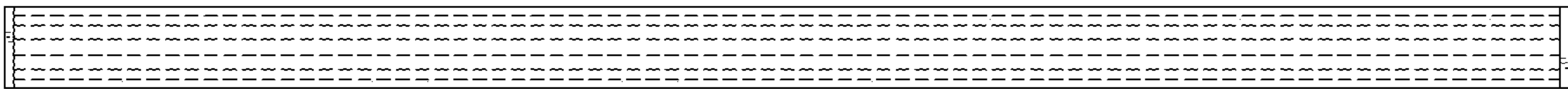


FIG. 18

