



US00D930554S

(12) **United States Design Patent** (10) **Patent No.:** **US D930,554 S**
Voss (45) **Date of Patent:** **** Sep. 14, 2021**

(54) **ARTICULATED TOP RACK FOR A VEHICLE, TRUCK, SUV, LIGHT DELIVERY VEHICLE OR SIMILAR VEHICLE**

(71) Applicant: **Rock Solid Industries International (Pty) Ltd, Pietermaritzburgh (ZA)**

(72) Inventor: **Michael Voss, Pinetown (ZA)**

(73) Assignee: **ROCK SOLID INDUSTRIES INTERNATIONAL (PTY) LTD, Pietermaritzburgh (ZA)**

(**) Term: **15 Years**

(21) Appl. No.: **29/770,039**

(22) Filed: **Feb. 9, 2021**

Related U.S. Application Data

(63) Continuation of application No. 29/681,255, filed on Feb. 22, 2019.

(51) **LOC (13) Cl.** **12-16**

(52) **U.S. Cl.**
USPC **D12/412**

(58) **Field of Classification Search**
USPC D12/412, 406, 413, 414, 414.1; D6/552, D6/304-306
CPC B60R 9/04; B60R 9/048; B60R 9/045
See application file for complete search history.

(56) **References Cited**

U.S. PATENT DOCUMENTS

D772,783 S	*	11/2016	Schleef	D12/412
D815,581 S	*	4/2018	Anderson	D12/406
D856,262 S	*	8/2019	Marankie	D12/412
D863,202 S	*	10/2019	Yu	D12/412
D865,645 S	*	11/2019	Wissiak	D12/412
D877,041 S	*	3/2020	Moctezuma	D12/412
D893,397 S	*	8/2020	Ekstrom	D12/406
D902,127 S	*	11/2020	Ajam	D12/412

(Continued)

OTHER PUBLICATIONS

RSI Smartcanopy®—DSTV Advert 2018, Mar. 22, 2018, <https://www.youtube.com/watch?v=cs8aT7R9U9c>.

(Continued)

Primary Examiner — Katrina A Betton

(74) *Attorney, Agent, or Firm* — Alston & Bird LLP

(57) **CLAIM**

I claim the ornamental design for a articulated top rack for a vehicle, truck, SUV, light delivery vehicle or similar vehicle, as shown and described.

DESCRIPTION

FIG. 1 is a perspective view of an articulated top rack for a vehicle, truck, SUV, light delivery vehicle or similar vehicle of my new design, shown in a stowed configuration within the environment of a canopy for a vehicle, truck, light delivery vehicle or similar vehicle;

FIG. 2 is a front elevation view thereof;

FIG. 3 is a rear elevation view thereof;

FIG. 4 is a right side elevation view thereof;

FIG. 5 is a left side elevation view thereof;

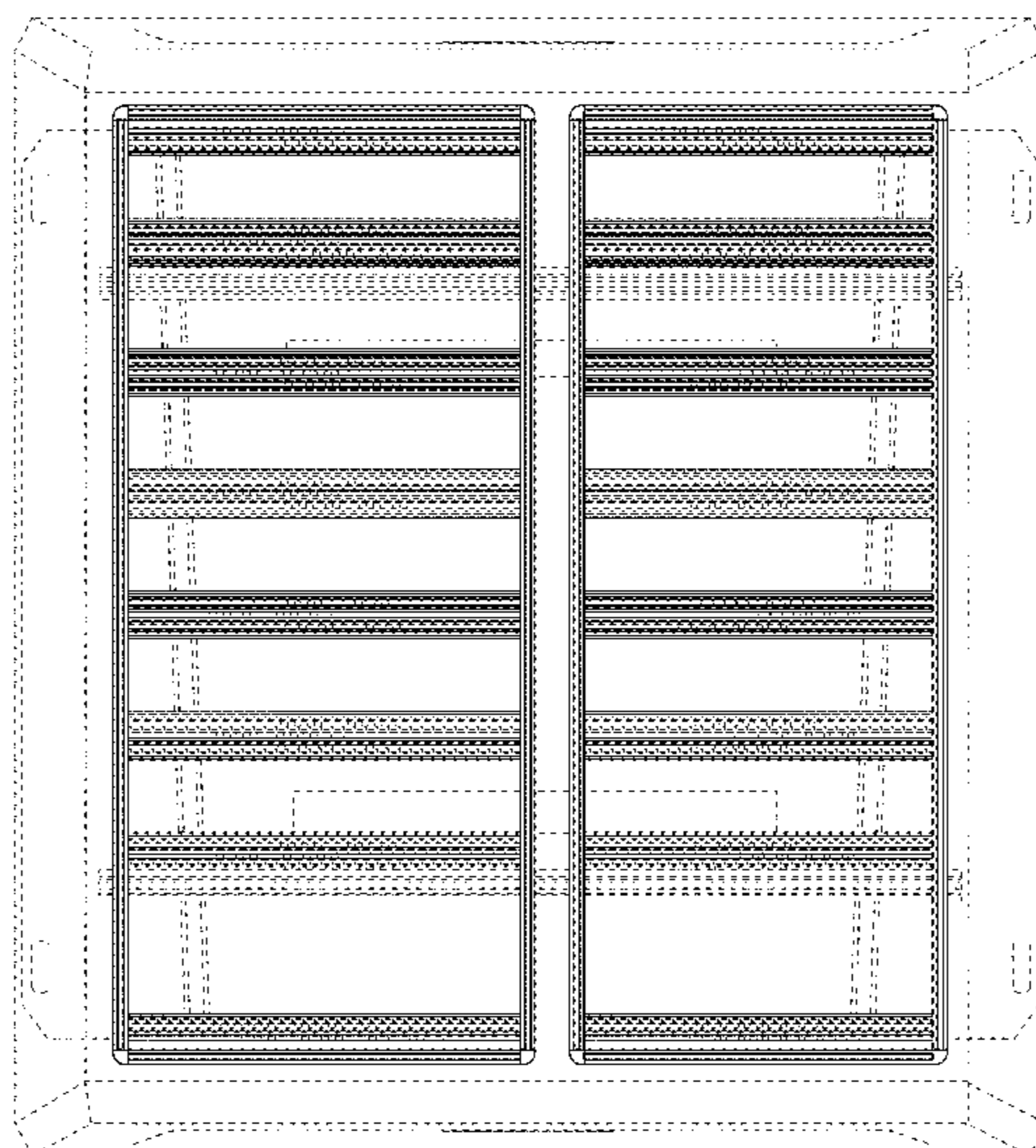
FIG. 6 is a top plan view thereof;

FIG. 7 is a rear elevation view thereof, shown with one side of the articulated top rack for a vehicle, truck, SUV, light delivery vehicle or similar vehicle in a first position of use; and,

FIG. 8 is a left side elevation view thereof.

The broken lines that depict a canopy for a vehicle, truck, light delivery vehicle or similar vehicle depict environment and form no part of the claimed design. All other broken lines depict features of the articulated top rack for a vehicle, truck, SUV, light delivery vehicle or similar vehicle that form no part of the claimed design.

1 Claim, 8 Drawing Sheets



(56)

References Cited

U.S. PATENT DOCUMENTS

D912,605 S * 3/2021 Miller D12/412
D913,197 S * 3/2021 Badillo D12/412
D915,269 S * 4/2021 Badillo D12/412
2005/0092796 A1* 5/2005 Essig B60R 9/00
224/321

OTHER PUBLICATIONS

Rock Solid Industries (RSI) company profile—SA 4x4 [online] [retrieved Jun. 26, 2019]. Retrieved from the Internet: <<https://www.sa4x4.co.za/rock-solid-industries/>>. (dated 2019) 11 pages.

RSi Smartcanopy® Stainless Steel Canopies & Accessories, 2018 Edition [online] [retrieved Jun. 26, 2019]. Retrieved from the Internet: <[https://smartcanopy.co.za/PDF/RSI-SMARTCANOPY-Brochure-April-2018-\(WEB\).pdf](https://smartcanopy.co.za/PDF/RSI-SMARTCANOPY-Brochure-April-2018-(WEB).pdf)>. (April 2018) 8 pages.

RSi SmartCanopy® Less Standard, More Smart [online] [retrieved Jun. 26, 2019]. Retrieved from the Internet: <[https://smartcanopy.co.za/PDF/RSI-SMARTCANOPY-Sales-Brochure-2017-\(WEB\).pdf](https://smartcanopy.co.za/PDF/RSI-SMARTCANOPY-Sales-Brochure-2017-(WEB).pdf)>. (2017) 4 pages.

U.S. Appl. No. 29/681,255, filed Feb. 22, 2019, Pending.

* cited by examiner

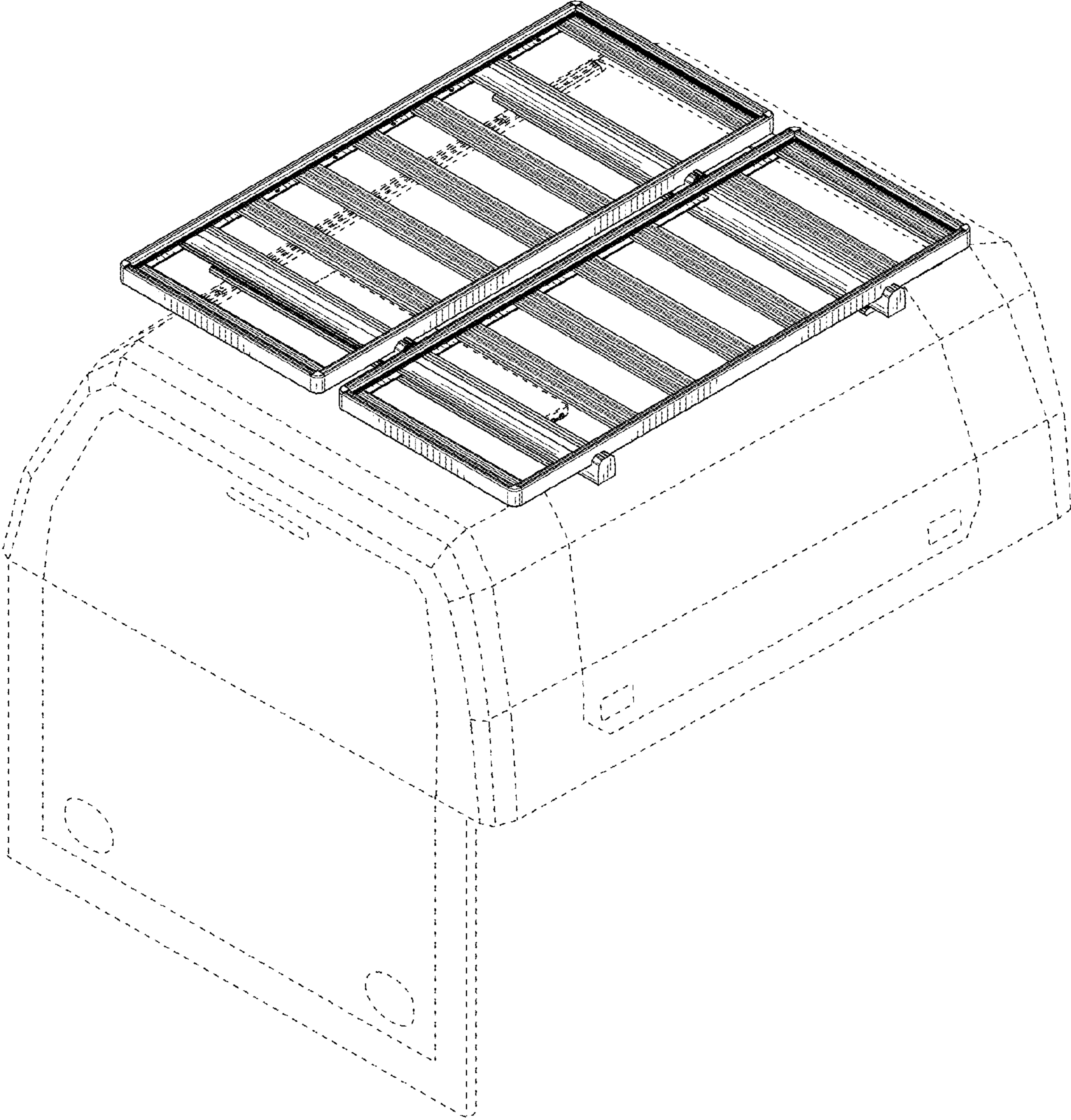


FIG. 1

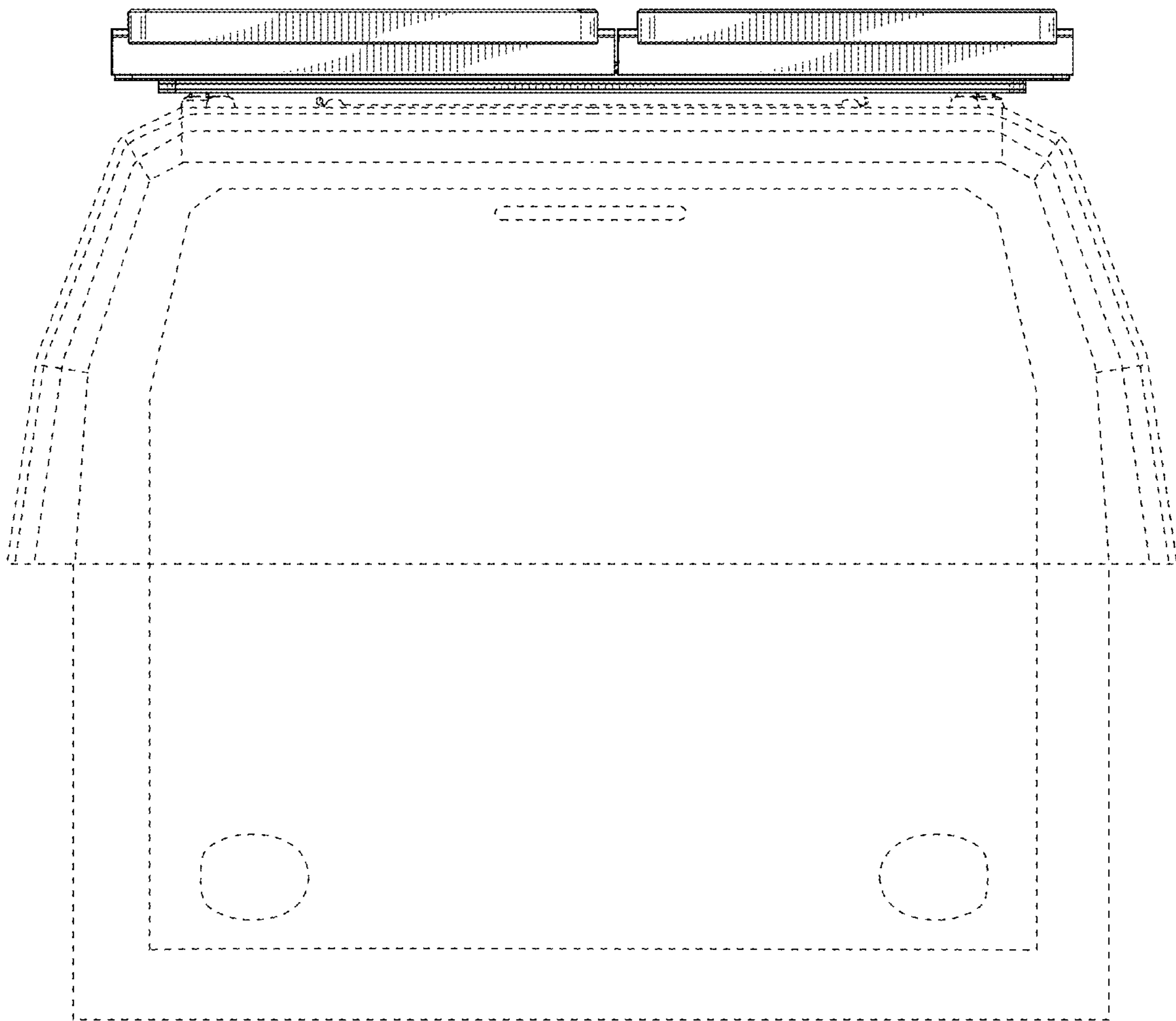


FIG. 2

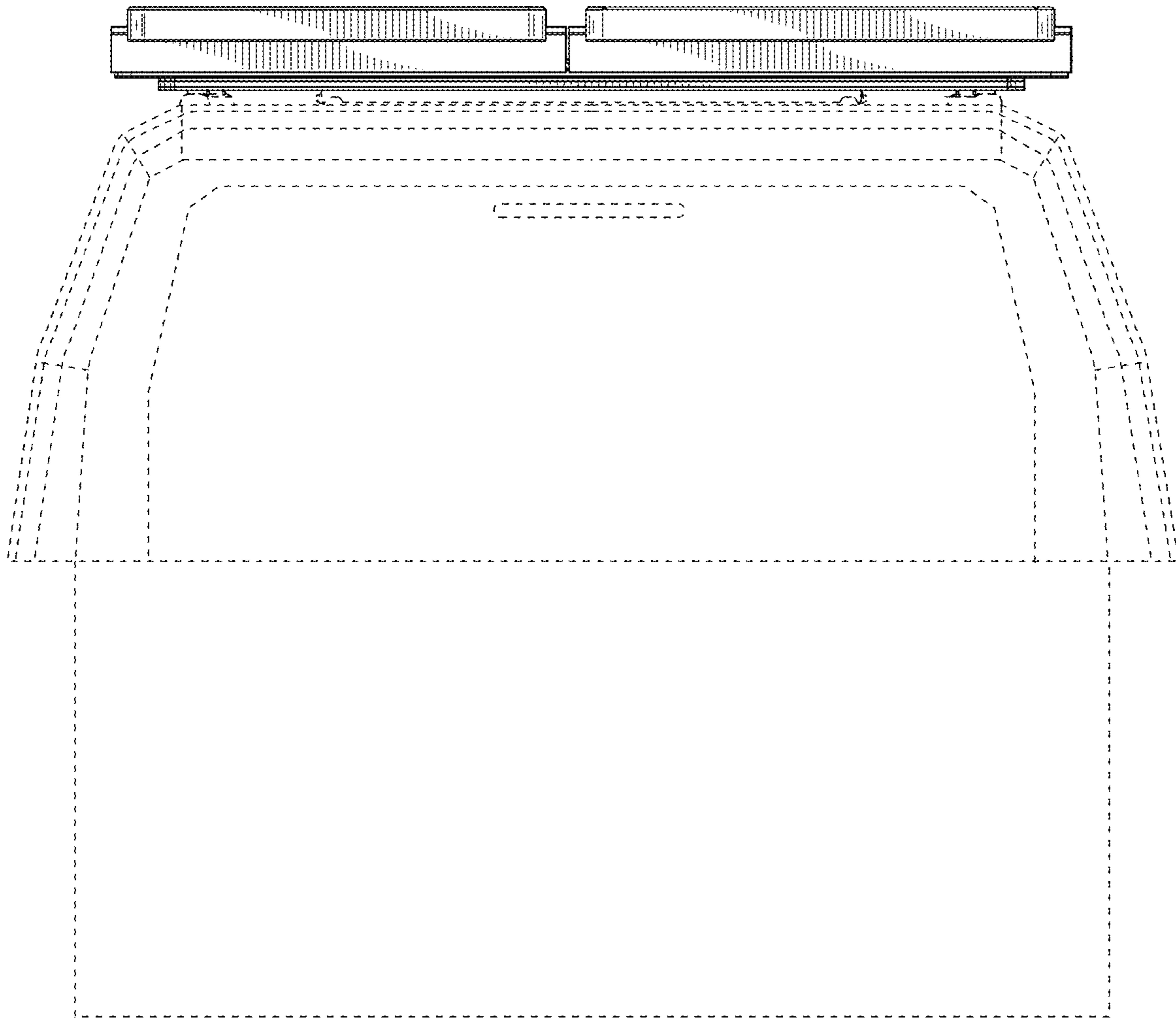


FIG. 3

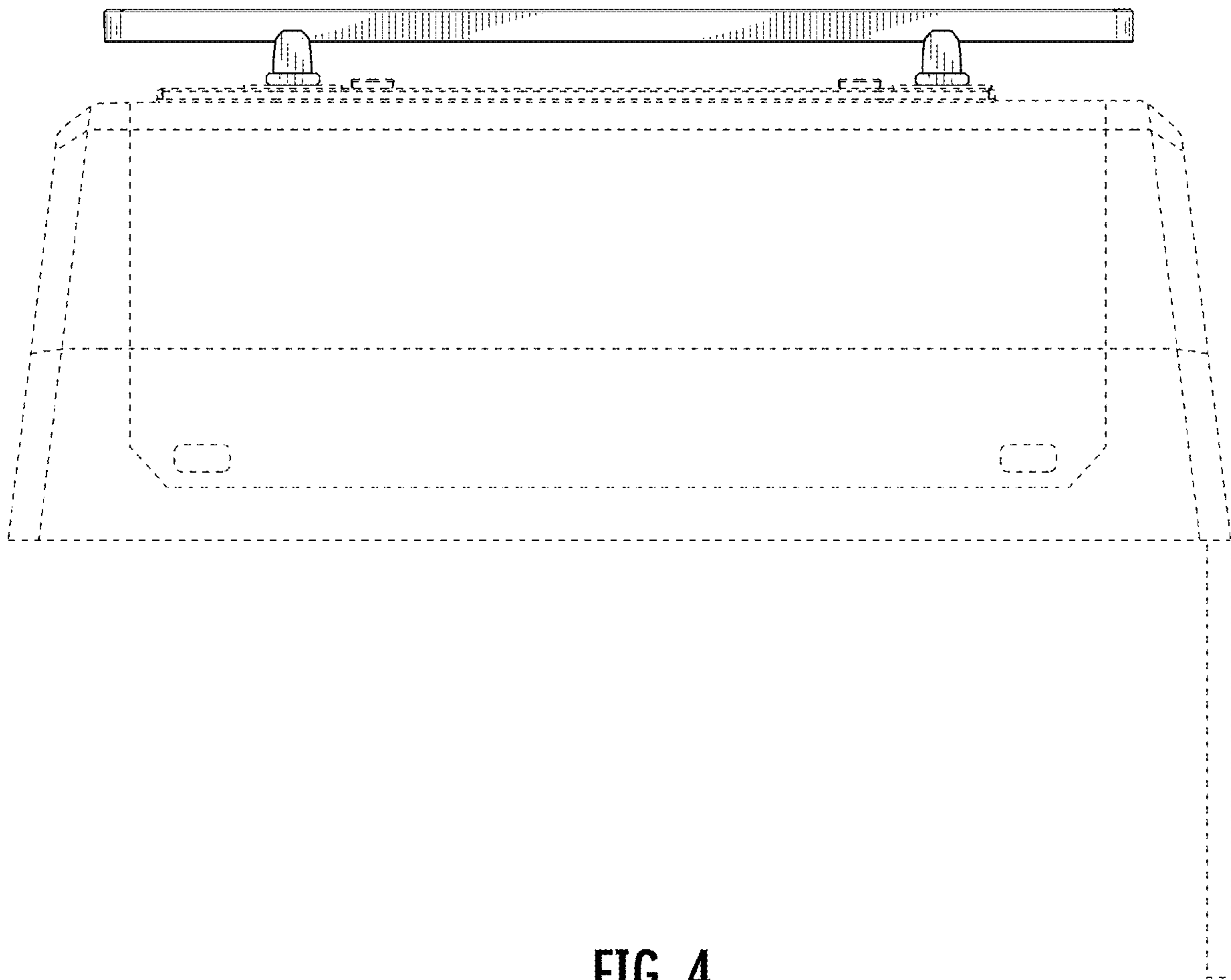


FIG. 4

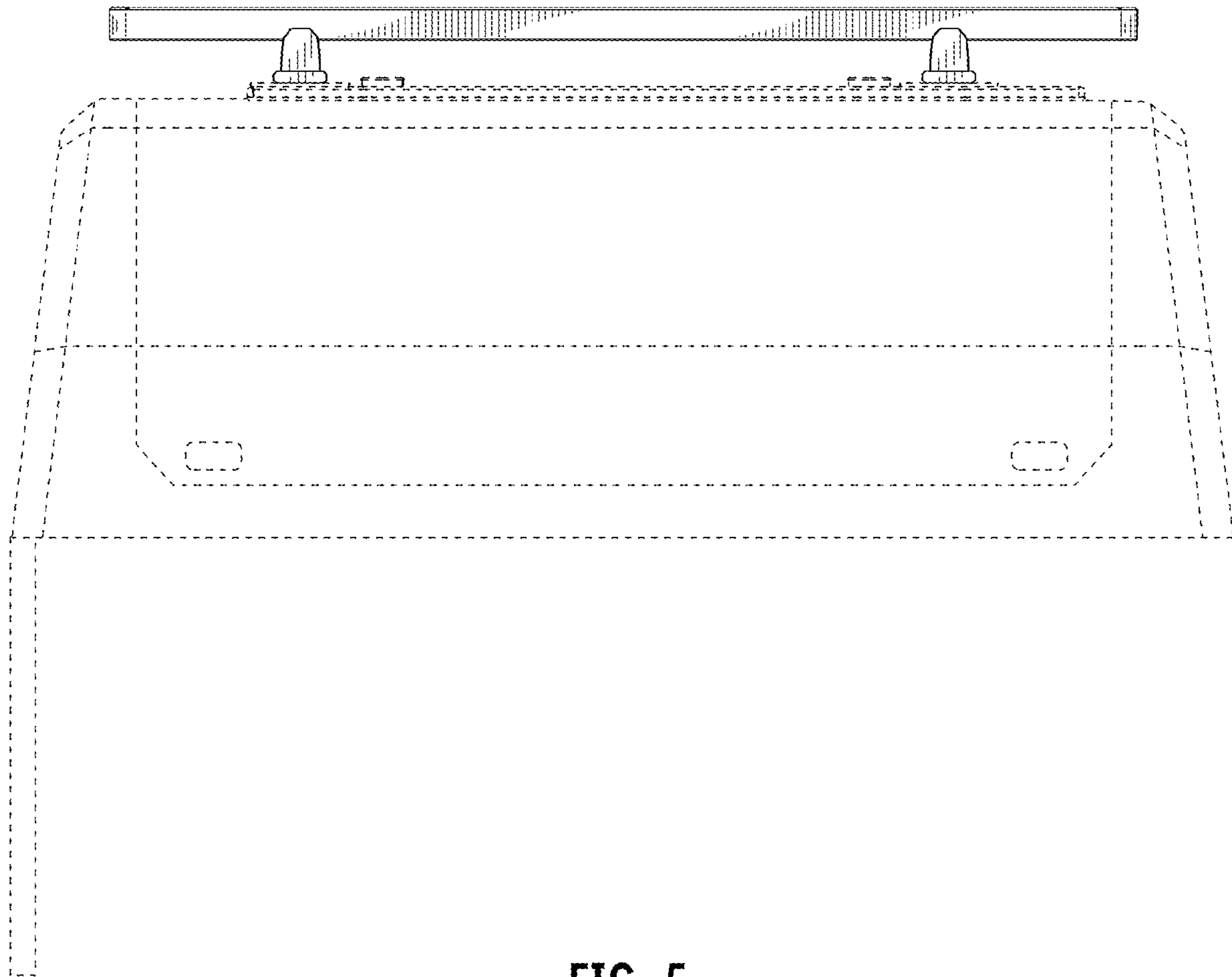


FIG. 5

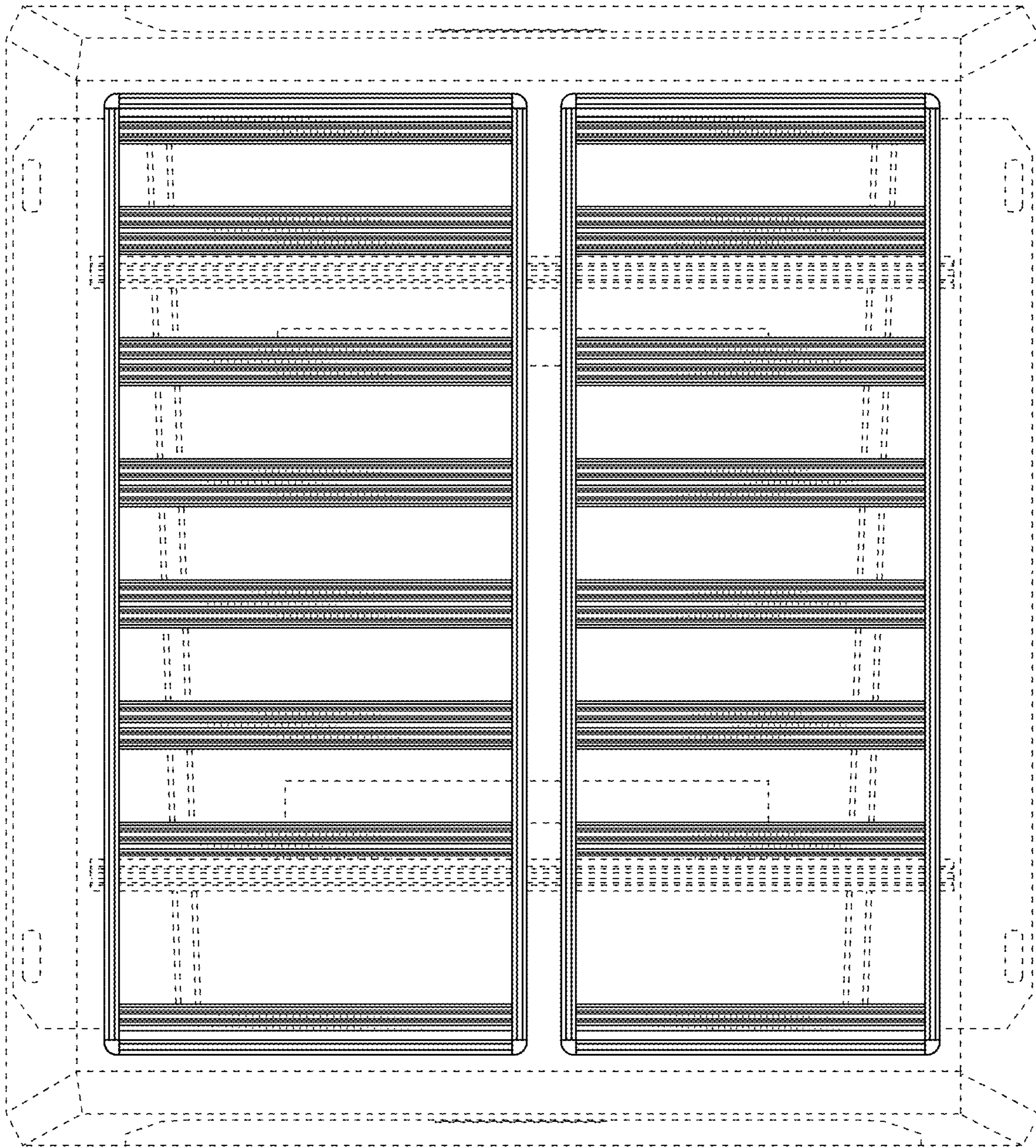


FIG. 6

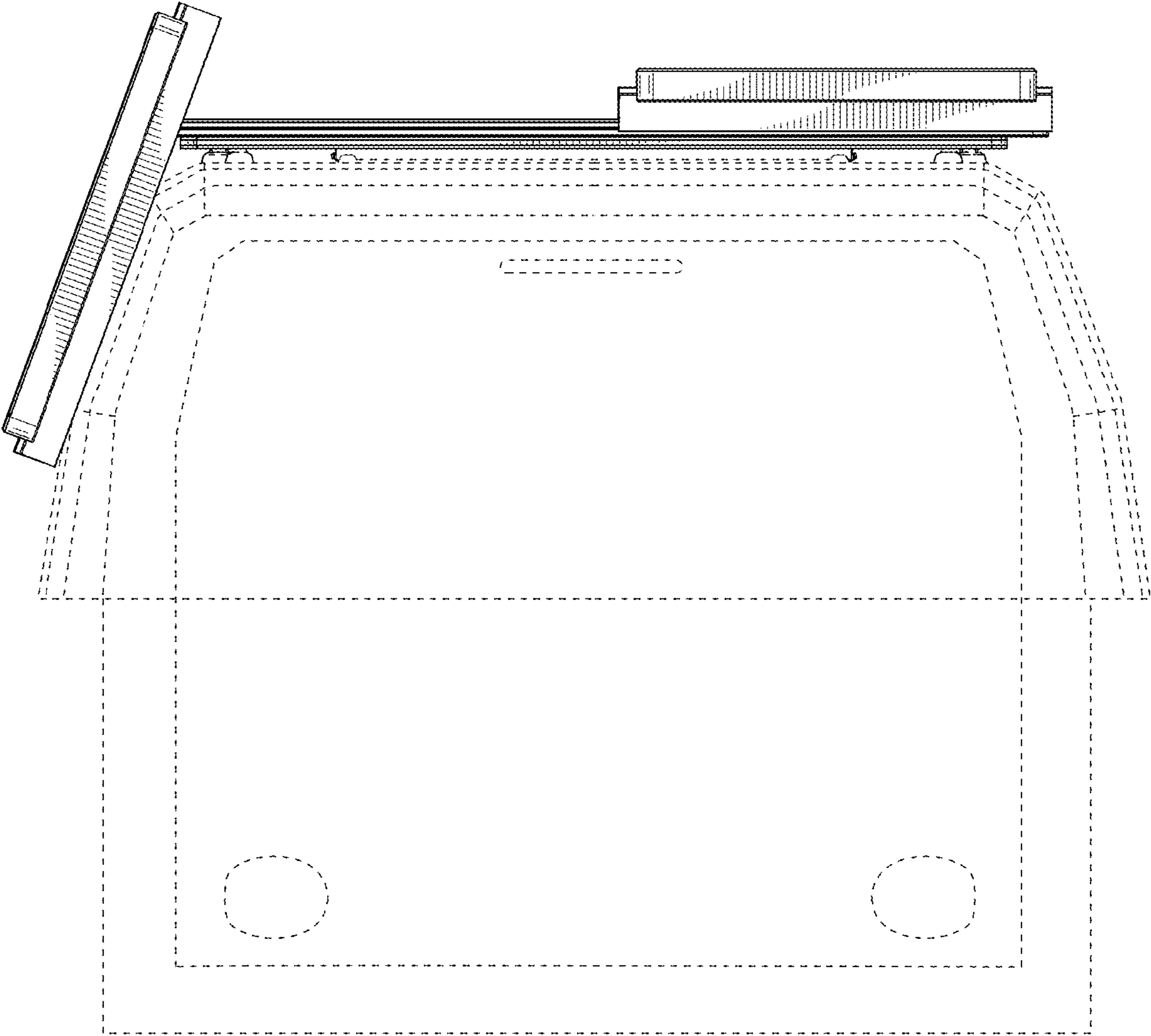
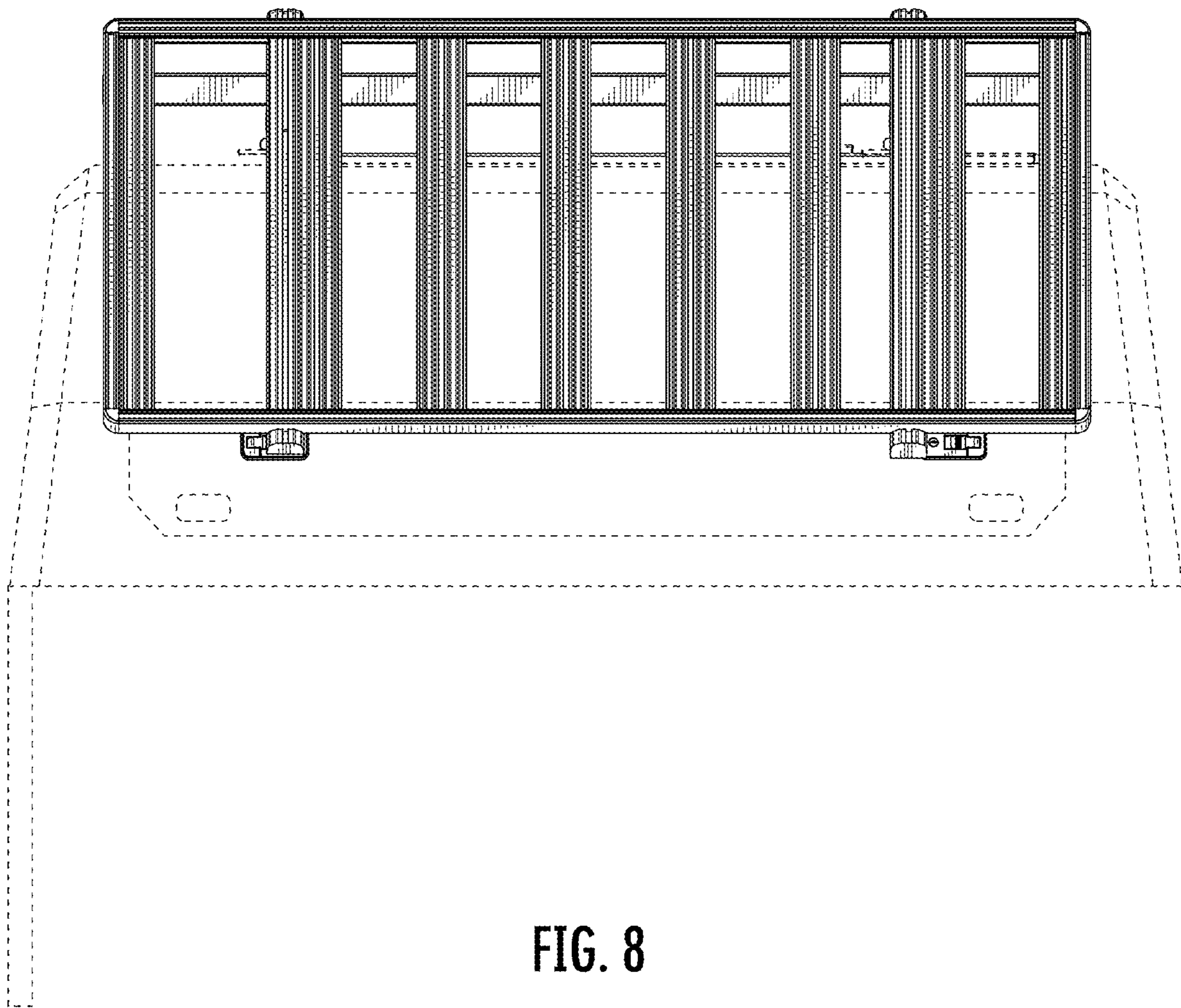


FIG. 7



UNITED STATES PATENT AND TRADEMARK OFFICE
CERTIFICATE OF CORRECTION

PATENT NO. : D930,554 S
APPLICATION NO. : 29/770039
DATED : September 14, 2021
INVENTOR(S) : Voss

Page 1 of 1

It is certified that error appears in the above-identified patent and that said Letters Patent is hereby corrected as shown below:

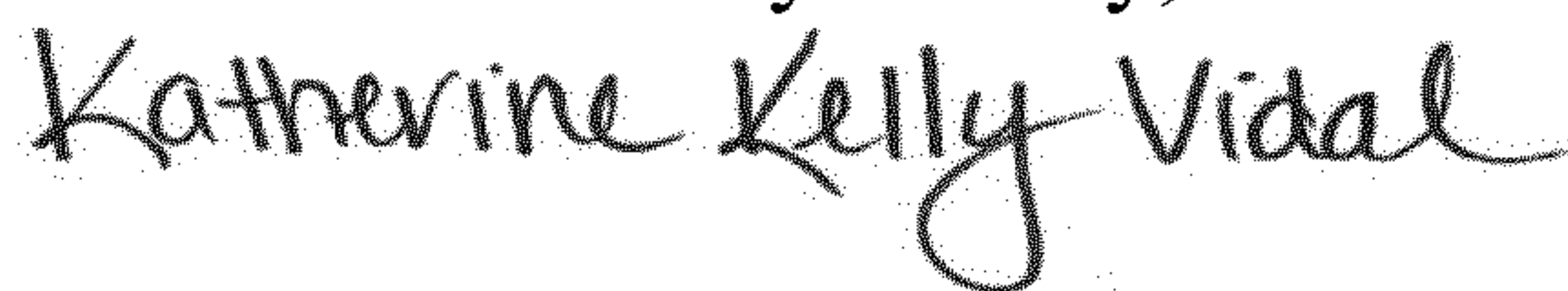
On the Title Page

Insert the following:

-- (30) **Foreign Application Priority Data**

Jan. 2, 2019 (ZA) A2019/00013
Jan. 2, 2019 (ZA) A2019/00014
Jan. 2, 2019 (ZA) A2019/00017
Jan. 2, 2019 (ZA) A2019/00018
Feb. 21, 2019 (ZA) A2019/00264
Feb. 21, 2019 (ZA) A2019/00265 --.

Signed and Sealed this
Seventeenth Day of May, 2022



Katherine Kelly Vidal
Director of the United States Patent and Trademark Office