



US00D930548S

(12) **United States Design Patent** (10) **Patent No.:** **US D930,548 S**  
**Schaferlein et al.** (45) **Date of Patent:** **\*\* Sep. 14, 2021**

(54) **AIRCRAFT**  
(71) Applicant: **Volocopter GmbH**, Bruchsal (DE)  
(72) Inventors: **Ulrich Schaferlein**, Karlsdorf (DE);  
**Michael Harms**, Waldbronn (DE)  
(73) Assignee: **Volocopter GmbH**, Bruchsal (DE)  
(\*\*) Term: **15 Years**  
(21) Appl. No.: **29/724,379**  
(22) Filed: **Feb. 14, 2020**

D866,394 S \* 11/2019 Shih ..... D12/16.1  
D866,395 S \* 11/2019 O'Brien ..... D12/16.1  
D867,470 S \* 11/2019 Haley ..... D21/436  
D892,224 S \* 8/2020 Levy ..... D21/436  
D895,527 S \* 9/2020 Wang ..... D12/328  
D913,194 S \* 3/2021 Duffy ..... D12/328  
2015/0331427 A1\* 11/2015 Chaudary ..... G05D 1/0858  
244/17.13  
2016/0340028 A1\* 11/2016 Datta ..... B64C 15/12  
2016/0368600 A1\* 12/2016 Frolov ..... B64C 39/10  
2017/0073070 A1\* 3/2017 Xing ..... B60F 3/0061  
2017/0152035 A1\* 6/2017 Zhao ..... B64C 27/08  
2017/0192430 A1\* 7/2017 Yang ..... B64D 47/08  
2017/0300065 A1\* 10/2017 Douglas ..... G05D 1/0676  
2020/0027326 A1\* 1/2020 Ravat ..... G08B 13/196

(Continued)

(30) **Foreign Application Priority Data**

Aug. 19, 2019 (EM) ..... 006737110

(51) **LOC (13) Cl.** ..... **12-07**

(52) **U.S. Cl.**  
USPC ..... **D12/328**

(58) **Field of Classification Search**  
USPC ..... D12/1-4, 16.1, 319-345; D21/436, 441,  
D21/443, 444, 446, 447, 448, 449, 450,  
D21/451, 452, 453, 454

CPC ..... B64C 2201/141; B64C 2201/20; B64C  
2201/027; B64G 1/002; A63H 33/185

See application file for complete search history.

(56) **References Cited**

**U.S. PATENT DOCUMENTS**

D189,462 S \* 12/1960 Vogt ..... D12/329  
D193,369 S \* 8/1962 Walker ..... D12/330  
D194,817 S \* 3/1963 Kenmore ..... D12/330  
D496,900 S \* 10/2004 Bulaga ..... D12/319  
D500,008 S \* 12/2004 Bulaga ..... D12/345  
D648,809 S \* 11/2011 Seydoux ..... D21/441  
9,862,487 B2\* 1/2018 Werner ..... B64C 27/001  
D817,812 S \* 5/2018 Whitten, Jr. .... D12/16.1  
10,099,785 B1\* 10/2018 Gonzalez ..... B64C 39/024  
10,239,638 B1\* 3/2019 Cohen ..... B64F 1/00  
D855,007 S \* 7/2019 Hu ..... D12/328

**OTHER PUBLICATIONS**

Lift Aircraft say 13,000 people, by Alan Boyle, dated Dec. 11, 2019.  
found online [Jun. 8, 2021] <https://www.geekwire.com/2019/lift-aircraft-says-13000-people-signed-drone-rides-flights-begin-beta-mode-texas/>.\*

(Continued)

*Primary Examiner* — Marissa J Cash  
(74) *Attorney, Agent, or Firm* — Volpe Koenig

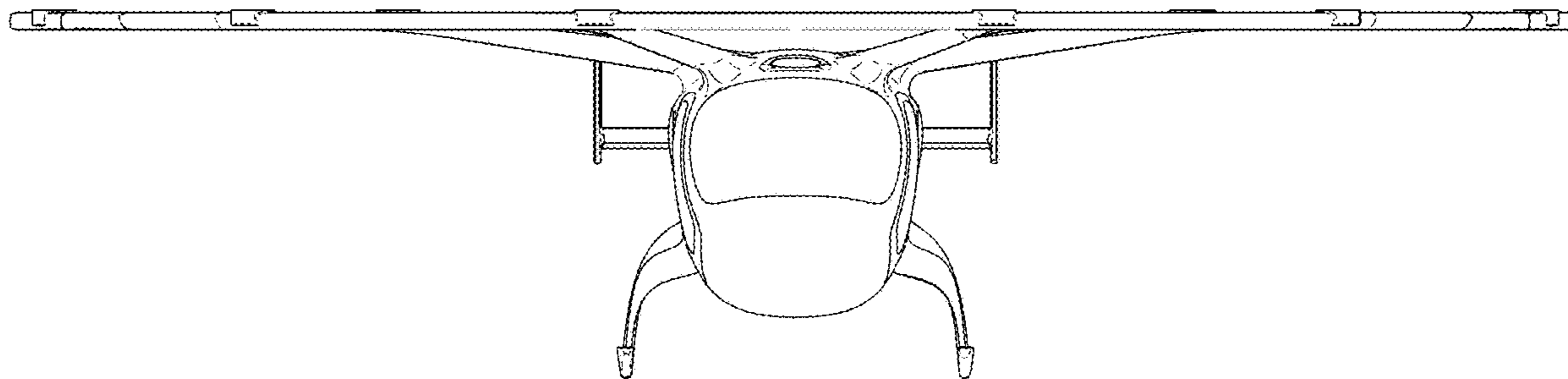
(57) **CLAIM**

The ornamental design for an aircraft, as shown and described.

**DESCRIPTION**

FIG. 1 is a front elevational view of an aircraft in accordance with our design;  
FIG. 2 is a top plan view thereof;  
FIG. 3 is a bottom plan view thereof;  
FIG. 4 is a right side elevational view thereof;  
FIG. 5 is a left side elevational view thereof;  
FIG. 6 is a rear elevational view thereof; and,  
FIG. 7 is a perspective view thereof.

**1 Claim, 7 Drawing Sheets**



(56)

**References Cited**

U.S. PATENT DOCUMENTS

2020/0369363 A1\* 11/2020 Harms ..... B64D 27/24  
2020/0398981 A1\* 12/2020 Schaferlein ..... B64C 27/08  
2021/0047039 A1\* 2/2021 Infante Aguirre ..... B64D 1/22  
2021/0072771 A1\* 3/2021 Zwiener ..... B64C 27/08  
2021/0094701 A1\* 4/2021 Winkler ..... B64D 45/00  
2021/0107626 A1\* 4/2021 Yuksel ..... B64C 39/024  
2021/0150919 A1\* 5/2021 Schaferlein ..... H04R 29/001  
2021/0163144 A1\* 6/2021 Yuksel ..... B64C 29/0025

OTHER PUBLICATIONS

South Korea moves closer to launching air vehicles, by Bloomberg, dated Nov. 11, 2020. found online [Jun. 8, 2021] <https://auto.hindustantimes.com/auto/news/south-korea-moves-closer-to-launching-air-vehicles-test-flies-drone-taxi-41605080949528.html>.\*

Velocity by Woodrow Bellamy III. dated Aug. 22, 2019. found online [Jun. 9, 2021] <https://www.aviationtoday.com/2019/08/22/velocity-volocopters-first-commercial-air-taxi-design/>.\*

Volocopter Aviation History, by Volocopter. found online [Apr. 6, 2016] <https://www.youtube.com/watch?v=OazFilhwAEs>.\*

\* cited by examiner

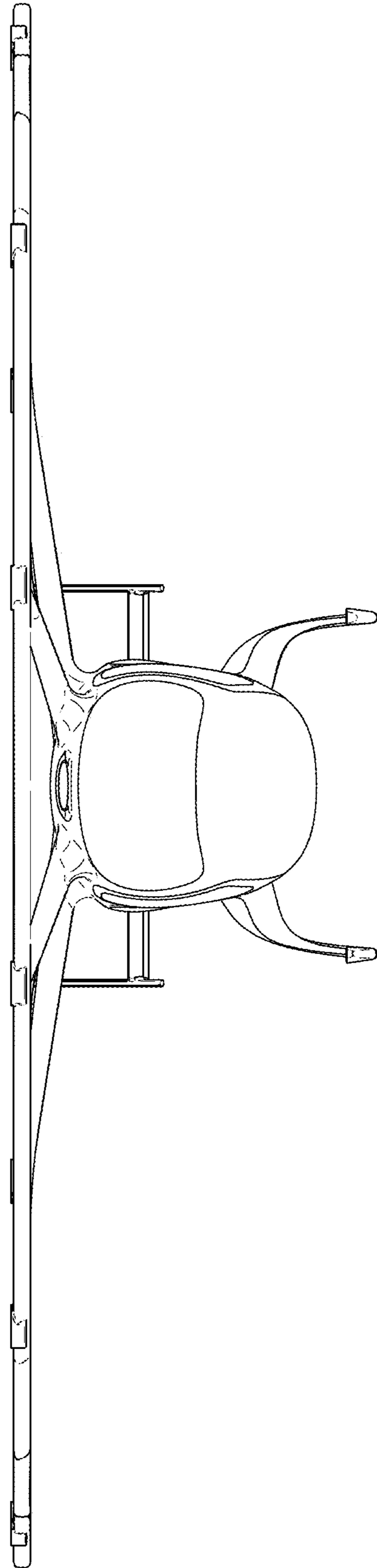


Fig. 1

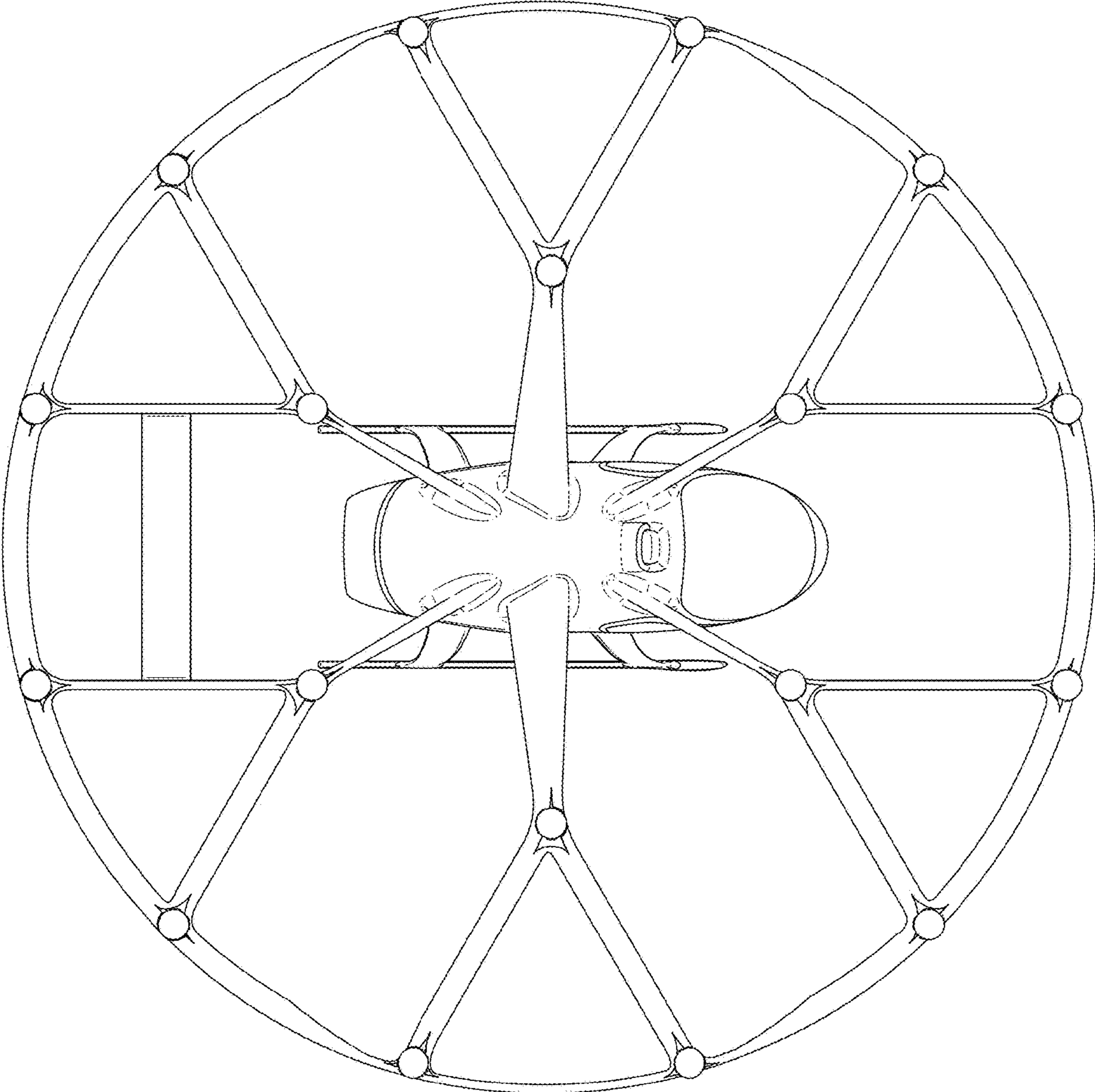


Fig. 2

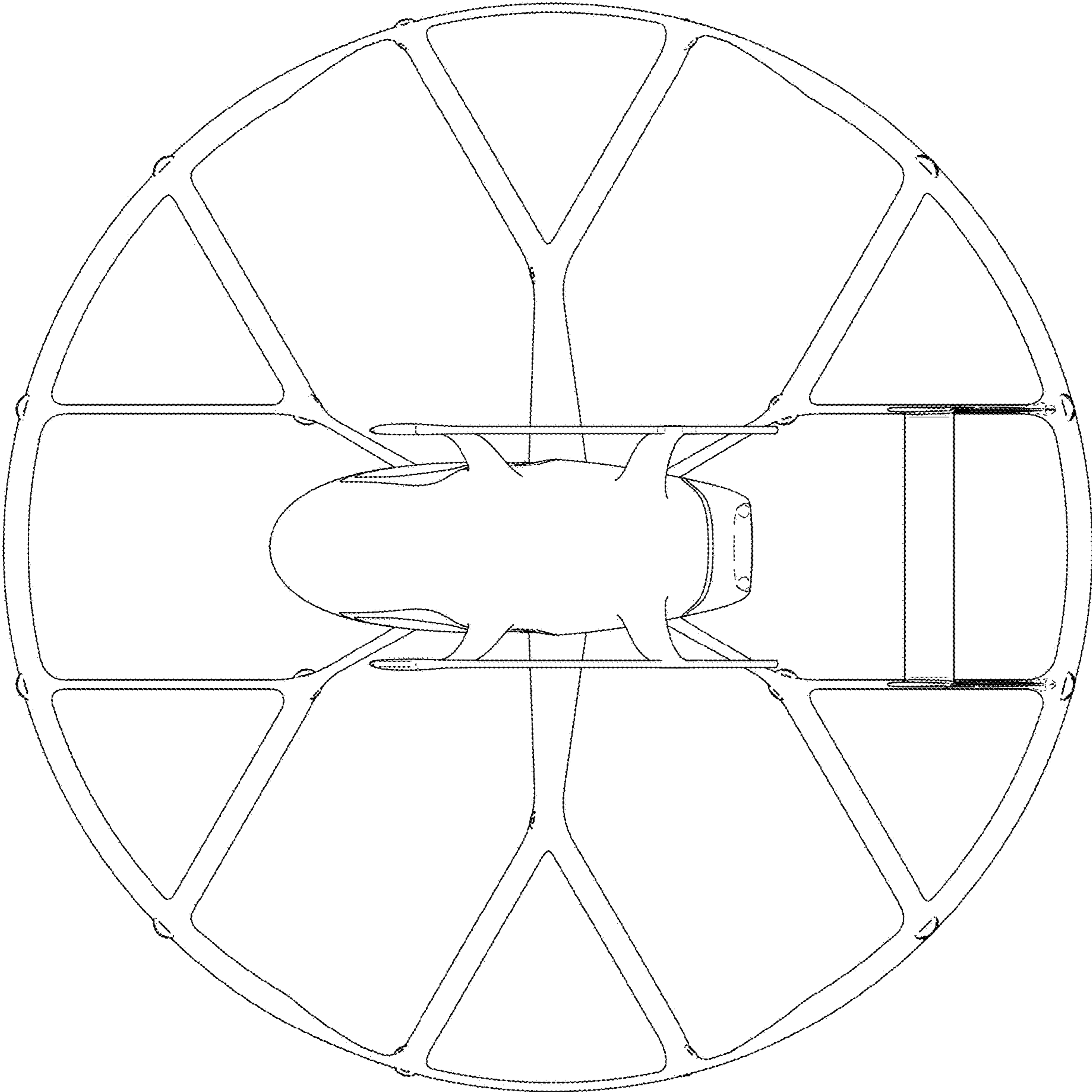


Fig. 3

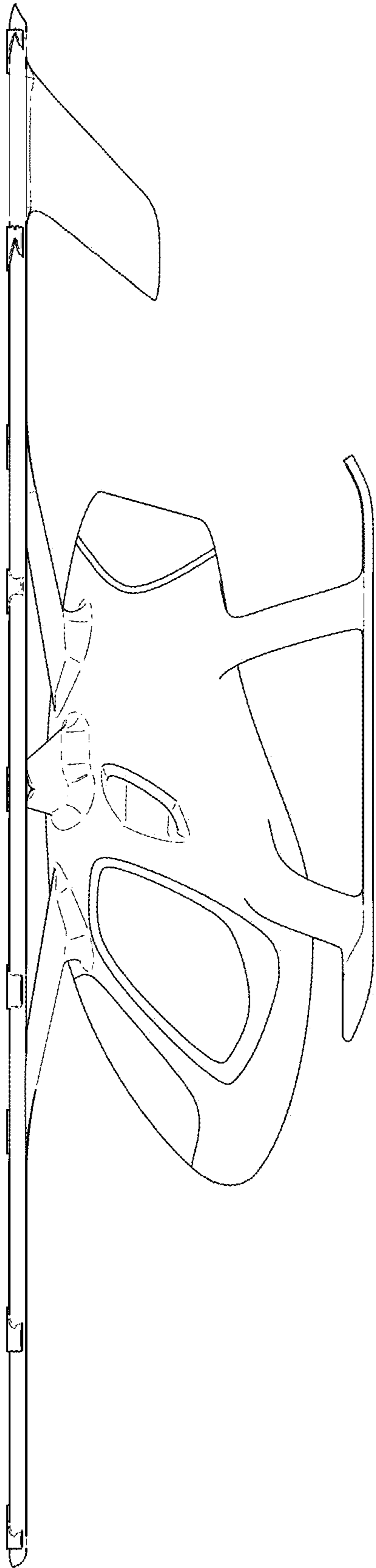


Fig. 4

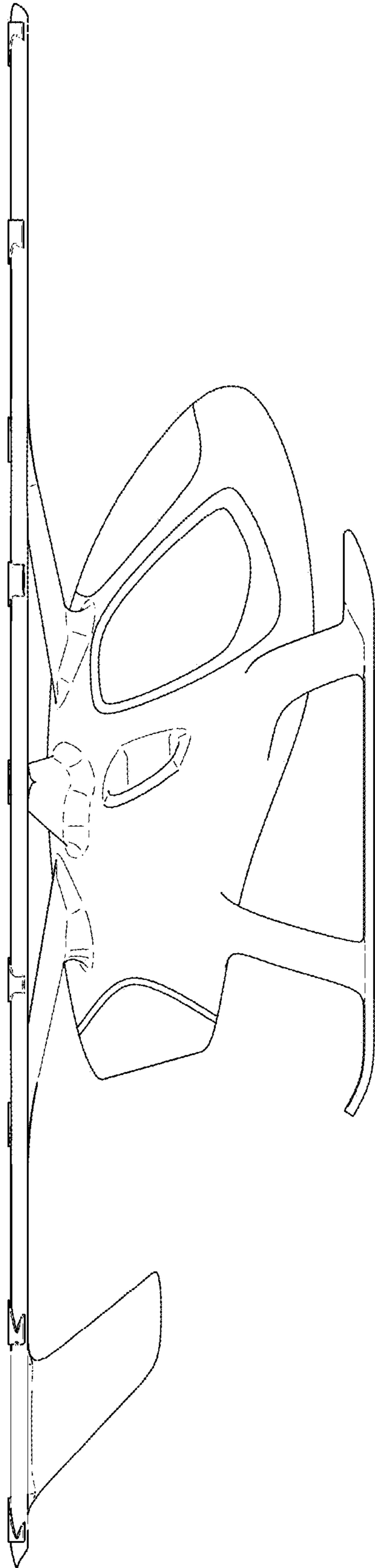


Fig. 5

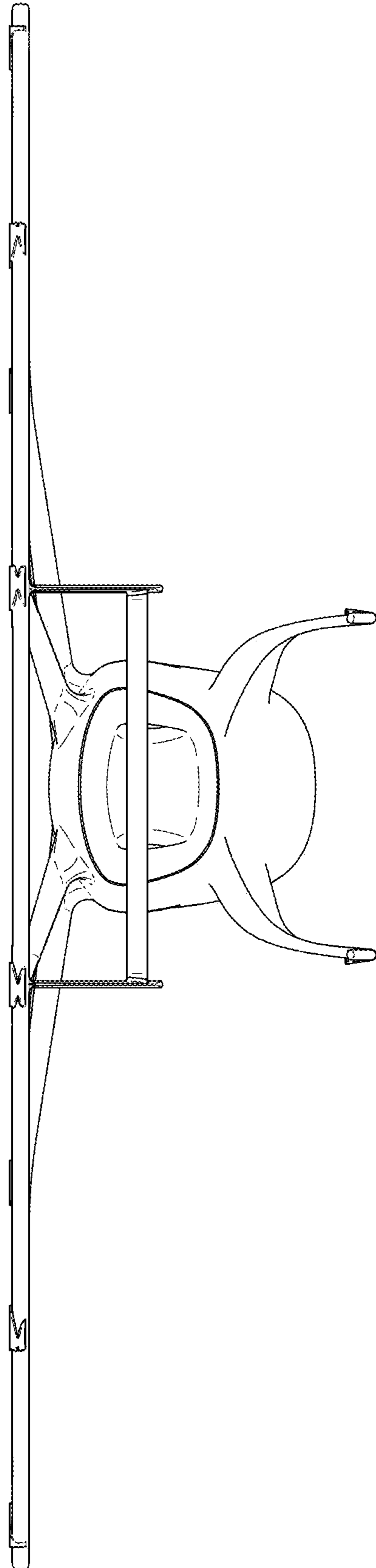


Fig. 6



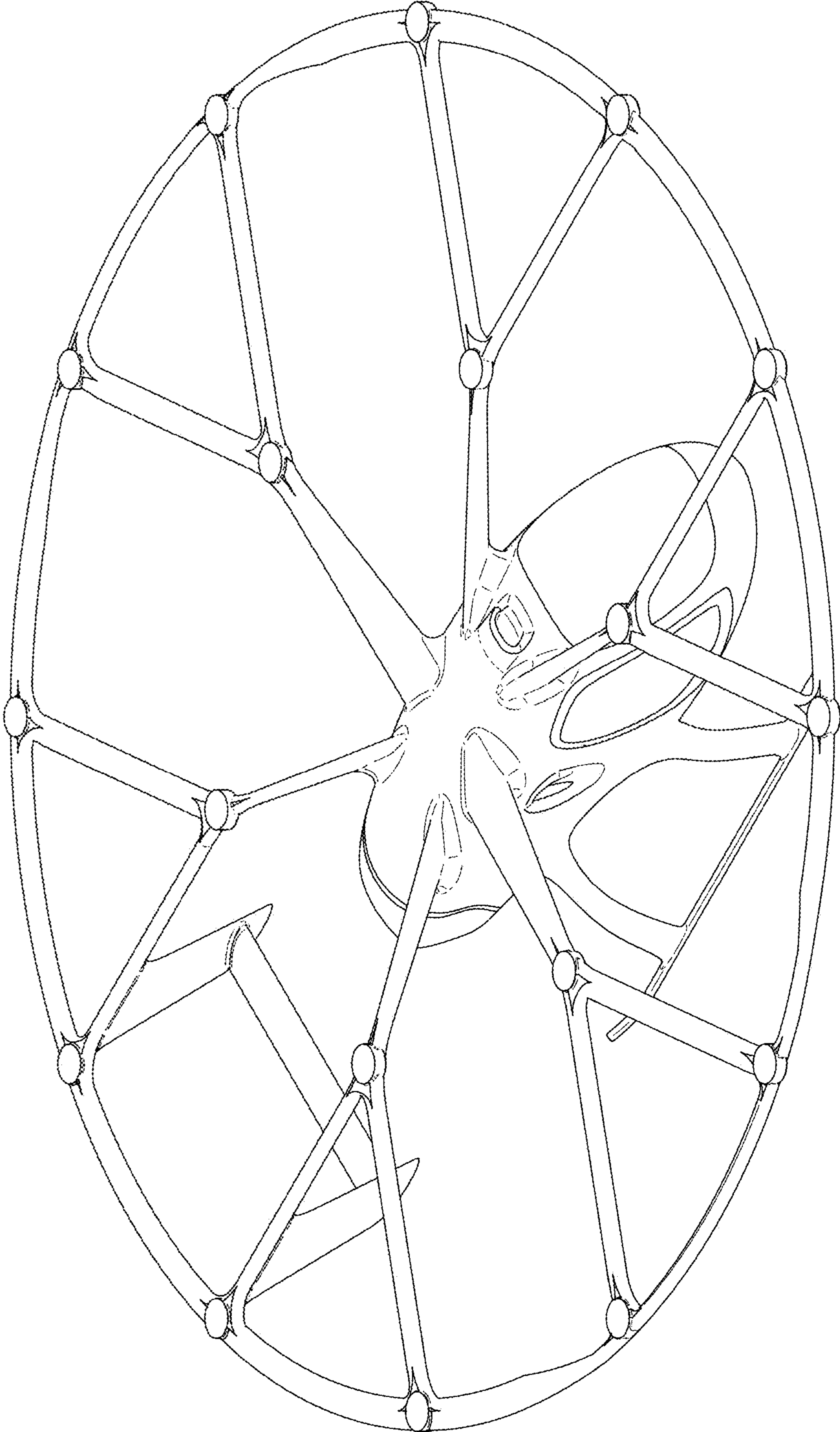


Fig. 7