



US00D930545S

(12) **United States Design Patent**
Lee et al.

(10) **Patent No.:** **US D930,545 S**
(45) **Date of Patent:** **** Sep. 14, 2021**

(54) **REAR DOOR PANEL FOR AUTOMOBILES**

(71) Applicants: **KIA MOTORS CORPORATION**,
Seoul (KR); **HYUNDAI MOTOR**
COMPANY, Seoul (KR)

(72) Inventors: **Ji-Heon Lee**, Anyang-si (KR); **Seung-II**
Choi, Hwaseong-si (KR)

(**) Term: **15 Years**

(21) Appl. No.: **35/509,381**

(22) Filed: **May 15, 2019**

(80) **Hague Agreement Data**

Int. Filing Date: **May 15, 2019**

Int. Reg. No.: **DM/207925**

Int. Reg. Date: **May 15, 2019**

Int. Reg. Pub. Date: **May 15, 2020**

(51) **LOC (13) Cl.** **12-16**

(52) **U.S. Cl.**
USPC **D12/196**

(58) **Field of Classification Search**
USPC D12/90, 91, 92, 184, 196
CPC B62D 24/00; B62D 24/02; B62D 25/02;
B62D 25/18; B62D 25/08; B62D 35/00;
B60J 5/04; B60R 19/02; B60R 19/04
See application file for complete search history.

(56) **References Cited**

U.S. PATENT DOCUMENTS

D489,305 S *	5/2004	Kim	D12/196
D580,331 S *	11/2008	Gueler	D12/196
D645,388 S *	9/2011	Kumai	D12/196
D653,187 S *	1/2012	Tomatsu	D12/196
D654,418 S *	2/2012	Hakamata	D12/196
D671,471 S *	11/2012	Yamada	D12/196
D678,154 S *	3/2013	Musk	D12/196

D695,661 S *	12/2013	Asano	D12/196
D699,654 S *	2/2014	Okue	D12/196
D772,758 S *	11/2016	Frascella	D12/92
D776,593 S *	1/2017	Schneider	D12/196
D779,407 S *	2/2017	Bae	D12/196
D785,530 S *	5/2017	Kyung	D12/196
D801,247 S *	10/2017	Lee	D12/196
D822,567 S *	7/2018	Simm	D12/196
D833,938 S *	11/2018	Lee	D12/196
D836,516 S *	12/2018	Tomasson	D12/196
D859,255 S *	9/2019	Lee	D12/196
D875,011 S *	2/2020	Choi	D12/196
D892,695 S *	8/2020	Oh	D12/196
D892,697 S *	8/2020	Kim	D12/196
D904,266 S *	12/2020	Battams	D12/196
2012/0272578 A1 *	11/2012	Ellinghaus	E05D 15/101 49/358
2013/0341961 A1 *	12/2013	Mori	B60R 13/04 296/146.2
2014/0132025 A1 *	5/2014	Usami	B60J 1/2063 296/97.8
2015/0035310 A1 *	2/2015	Yamaguchi	B60R 13/0206 296/153

* cited by examiner

Primary Examiner — Darlington Ly

(57) **CLAIM**

The ornamental design for a rear door panel for automobiles, as shown and described.

DESCRIPTION

1. Rear door panel for automobiles
- 1.1 is a front perspective view of a rear door panel for automobiles embodying our new design;
- 1.2 is a front elevation view thereof;
- 1.3 is a rear elevation view thereof;
- 1.4 is a left side elevation view thereof;
- 1.5 is a right side elevation view thereof;
- 1.6 is a top plan view thereof; and
- 1.7 is a bottom plan view thereof.

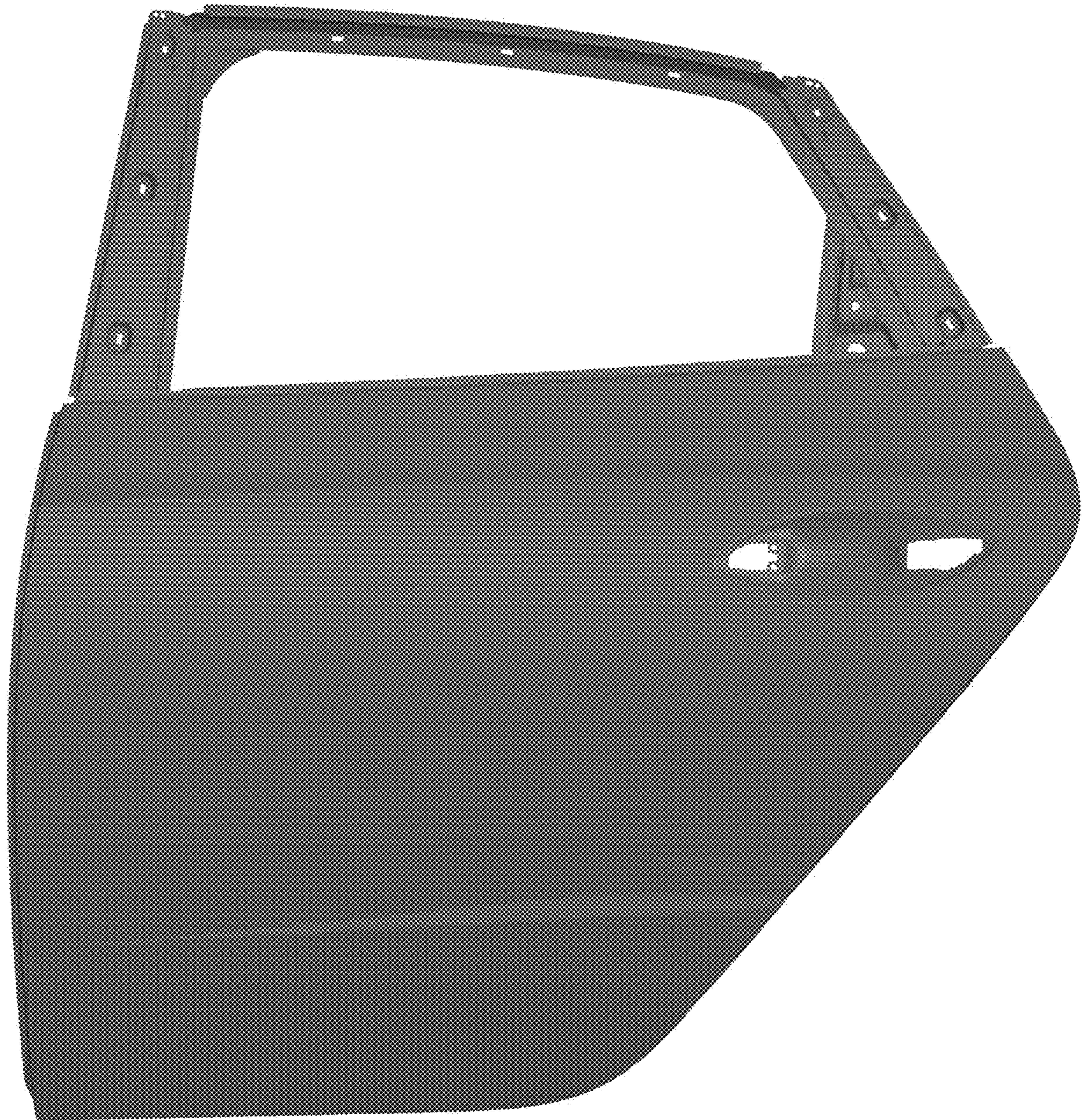
1 Claim, 7 Drawing Sheets



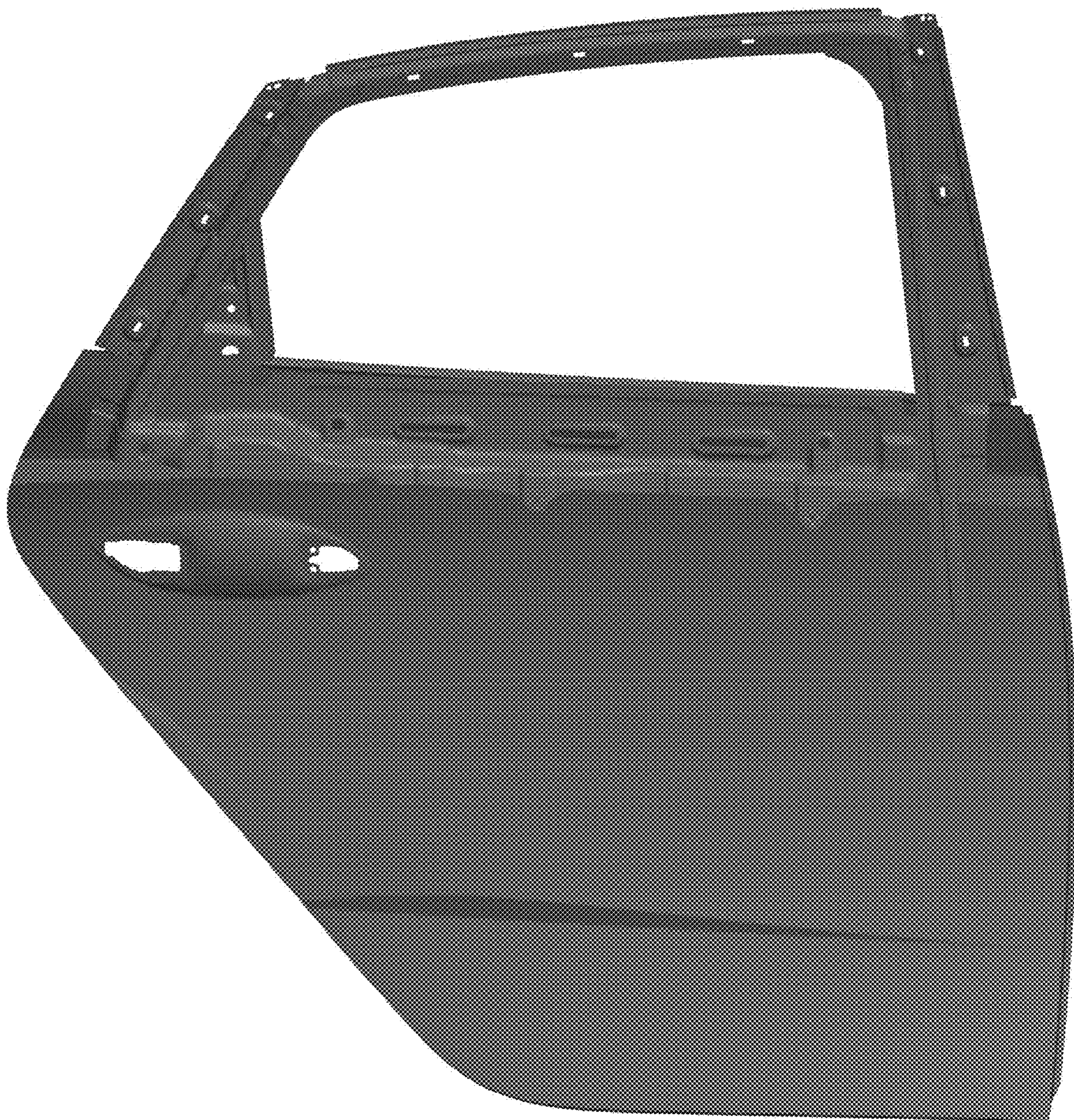
1.1



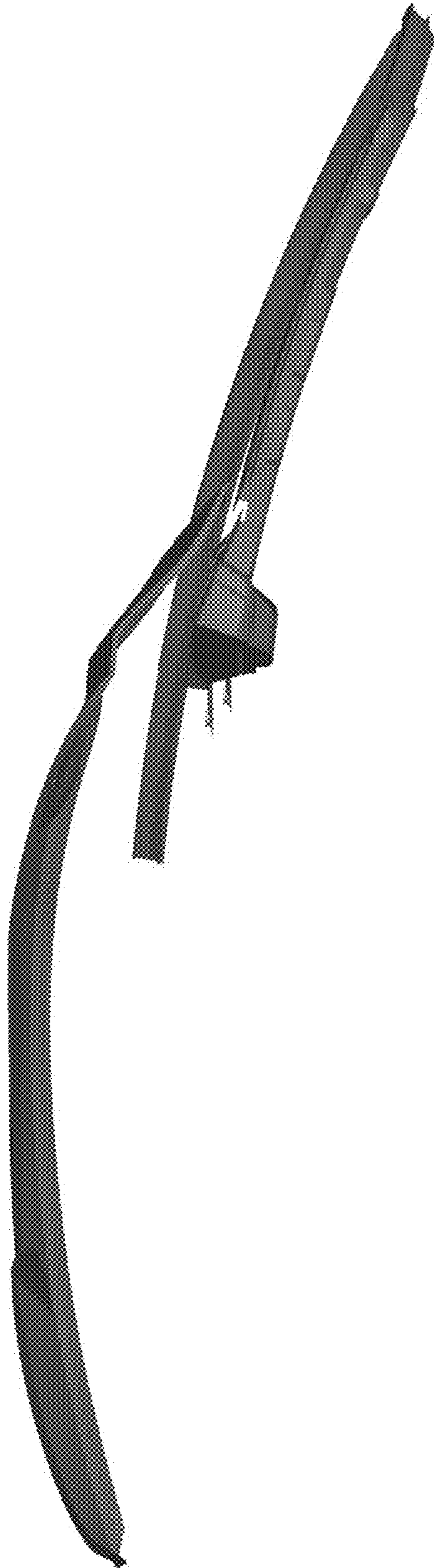
1.2



1.3



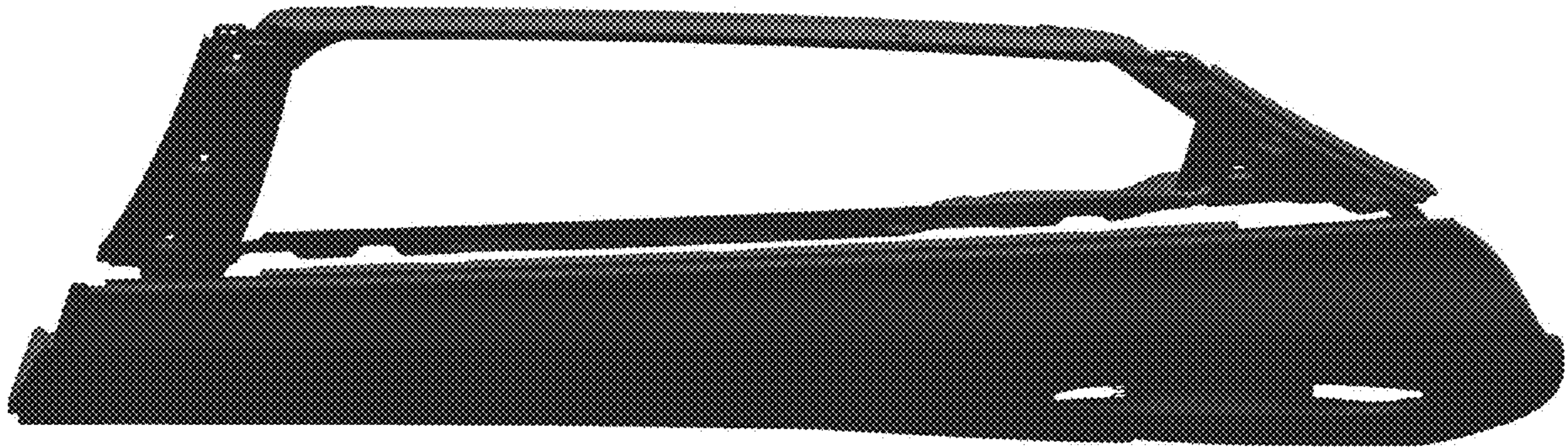
1.4



1.5



1.6



1.7

