



US00D930544S

(12) **United States Design Patent** (10) **Patent No.:** **US D930,544 S**  
**Lee et al.** (45) **Date of Patent:** **\*\* Sep. 14, 2021**

(54) **FRONT DOOR PANEL FOR AUTOMOBILES**

(71) Applicants: **KIA MOTORS CORPORATION**,  
Seoul (KR); **HYUNDAI MOTOR**  
**COMPANY**, Seoul (KR)

(72) Inventors: **Ji-Heon Lee**, Anyang-si (KR); **Seung-II**  
**Choi**, Hwaseong-si (KR)

(\*\*) Term: **15 Years**

(21) Appl. No.: **35/509,363**

(22) Filed: **May 15, 2019**

(80) **Hague Agreement Data**

Int. Filing Date: **May 15, 2019**

Int. Reg. No.: **DM/207850**

Int. Reg. Date: **May 15, 2019**

Int. Reg. Pub. Date: **May 15, 2020**

(30) **Foreign Application Priority Data**

Jan. 31, 2019 (KR) ..... 30-2019-0004908

(51) **LOC (13) Cl.** ..... **12-16**

(52) **U.S. Cl.**  
USPC ..... **D12/196**

(58) **Field of Classification Search**  
USPC ..... D12/90, 91, 92, 184, 196  
CPC ..... B62D 24/00; B62D 24/02; B62D 25/02;  
B62D 25/18; B62D 25/08; B62D 35/00;  
B60J 5/04; B60R 19/02; B60R 19/04  
See application file for complete search history.

(56) **References Cited**

**U.S. PATENT DOCUMENTS**

D556,111 S \* 11/2007 Levy ..... D12/196  
D580,332 S \* 11/2008 Gueler ..... D12/196  
D636,317 S \* 4/2011 Matei ..... D12/196  
D695,663 S \* 12/2013 Suga ..... D12/196

D706,190 S \* 6/2014 Sakae ..... D12/196  
D775,567 S \* 1/2017 Faghihzadeh ..... D12/196  
D786,761 S \* 5/2017 Luk ..... D12/196  
D801,246 S \* 10/2017 Lee ..... D12/196  
D823,766 S \* 7/2018 Han ..... D12/196  
D827,534 S \* 9/2018 Simm ..... D12/196  
D834,481 S \* 11/2018 Lim ..... D12/196  
D840,307 S \* 2/2019 Chan ..... D12/196  
D848,334 S \* 5/2019 Tomasson ..... D12/196  
D860,895 S \* 9/2019 Lee ..... D12/196  
D863,170 S \* 10/2019 Zipfel ..... D12/196  
D867,951 S \* 11/2019 Izard ..... D12/196  
D873,752 S \* 1/2020 Choi ..... D12/196  
D890,057 S \* 7/2020 Lim ..... D12/196  
D890,670 S \* 7/2020 Oh ..... D12/196  
2011/0219700 A1 \* 9/2011 Grudzinski ..... B60J 10/75  
49/493.1  
2013/0020816 A1 \* 1/2013 Saitou ..... E05B 79/06  
292/336.3  
2013/0341961 A1 \* 12/2013 Mori ..... B60R 13/04  
296/146.2  
2014/0132025 A1 \* 5/2014 Usami ..... B60J 1/2063  
296/97.8  
2015/0035310 A1 \* 2/2015 Yamaguchi ..... B60R 13/0206  
296/153

(Continued)

*Primary Examiner* — Darlington Ly

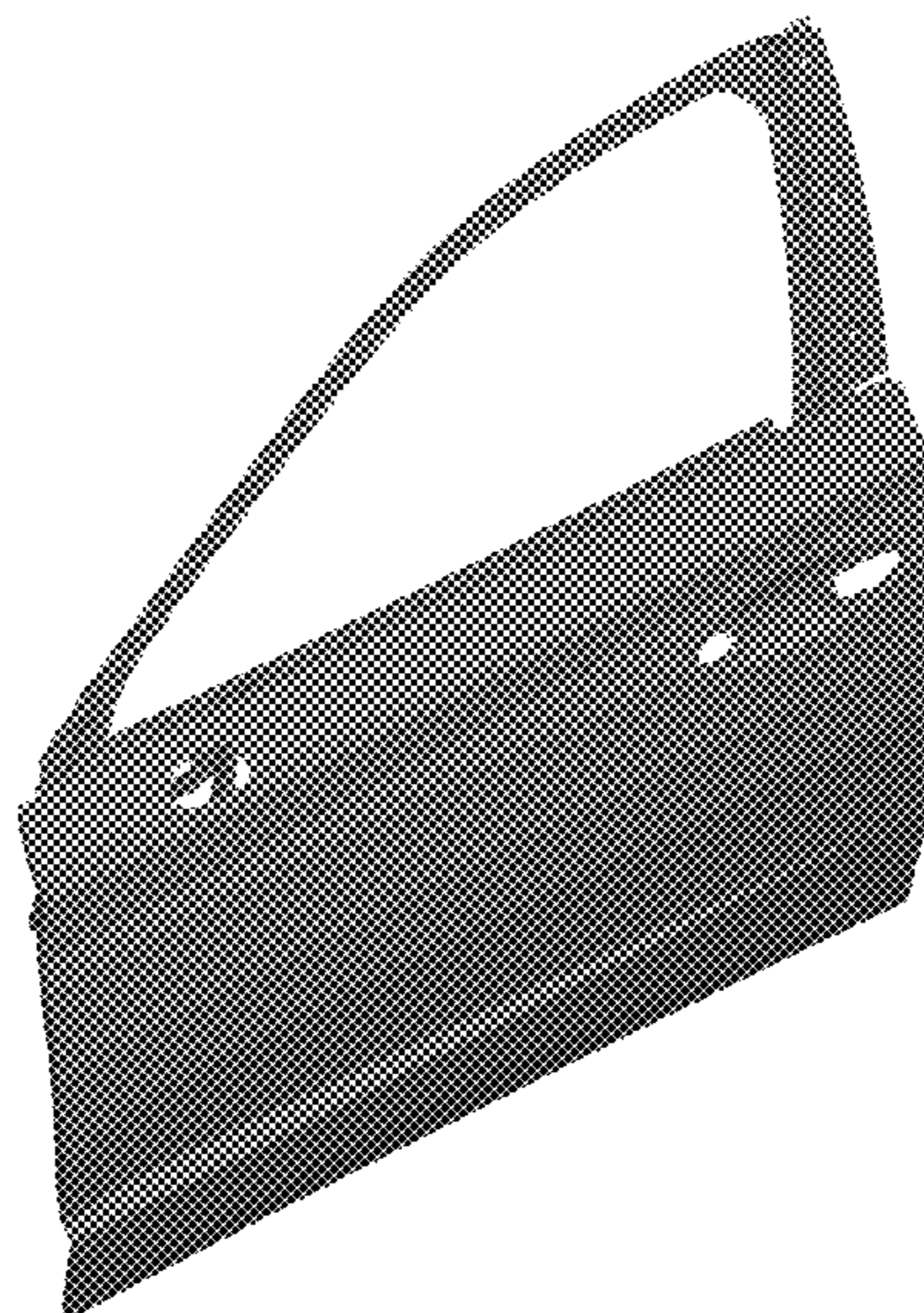
(57) **CLAIM**

The ornamental design for a front door panel for automobiles, as shown and described.

**DESCRIPTION**

1. Front door panel for automobiles  
**1.1** is a front perspective view of a front door panel for automobiles embodying our new design;  
**1.2** is a front elevation view thereof;  
**1.3** is a rear elevation view thereof;  
**1.4** is a left side elevation view thereof;  
**1.5** is a right side elevation view thereof;  
**1.6** is a top plan view thereof; and  
**1.7** is a bottom plan view thereof.

**1 Claim, 7 Drawing Sheets**



(56)

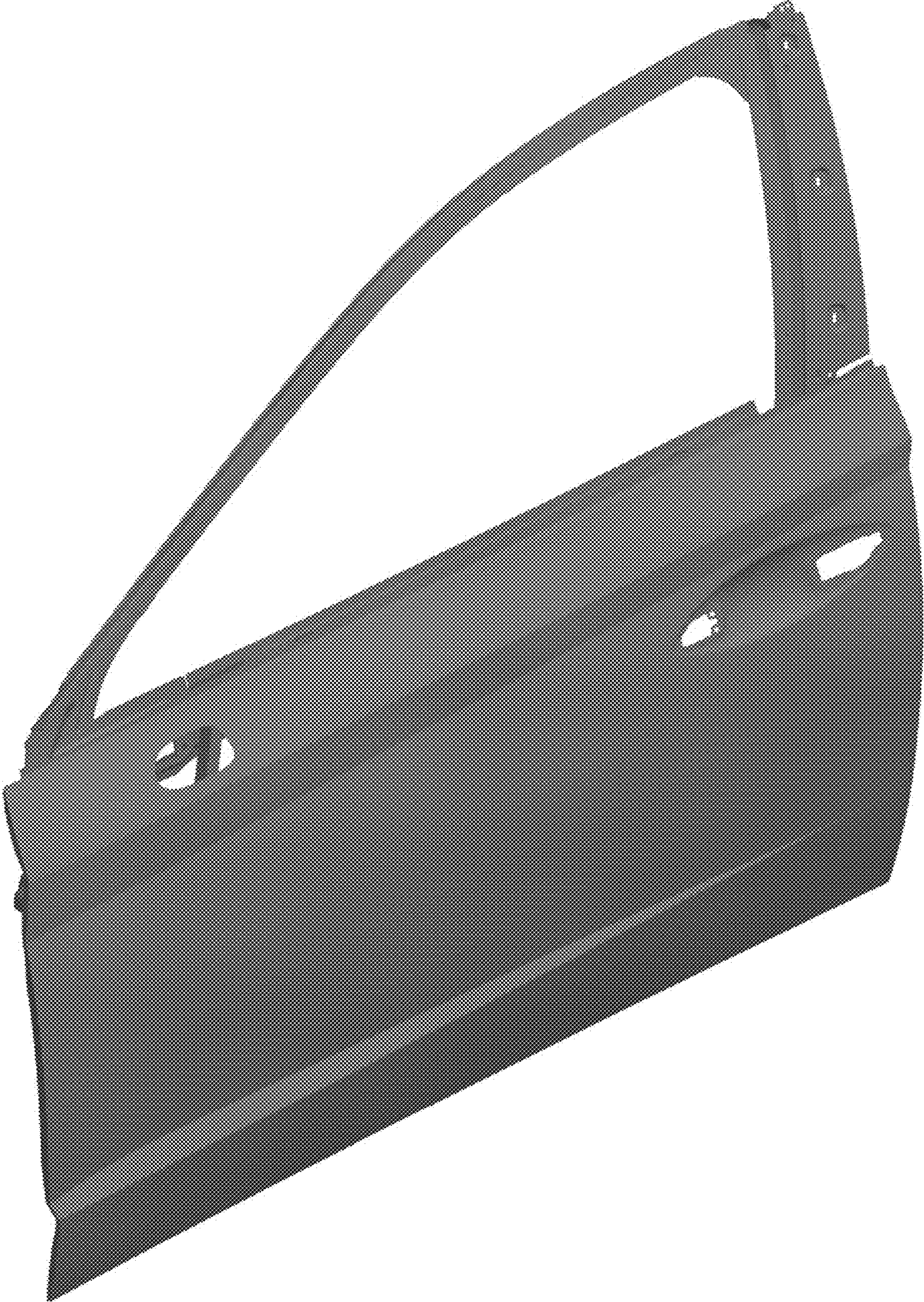
**References Cited**

U.S. PATENT DOCUMENTS

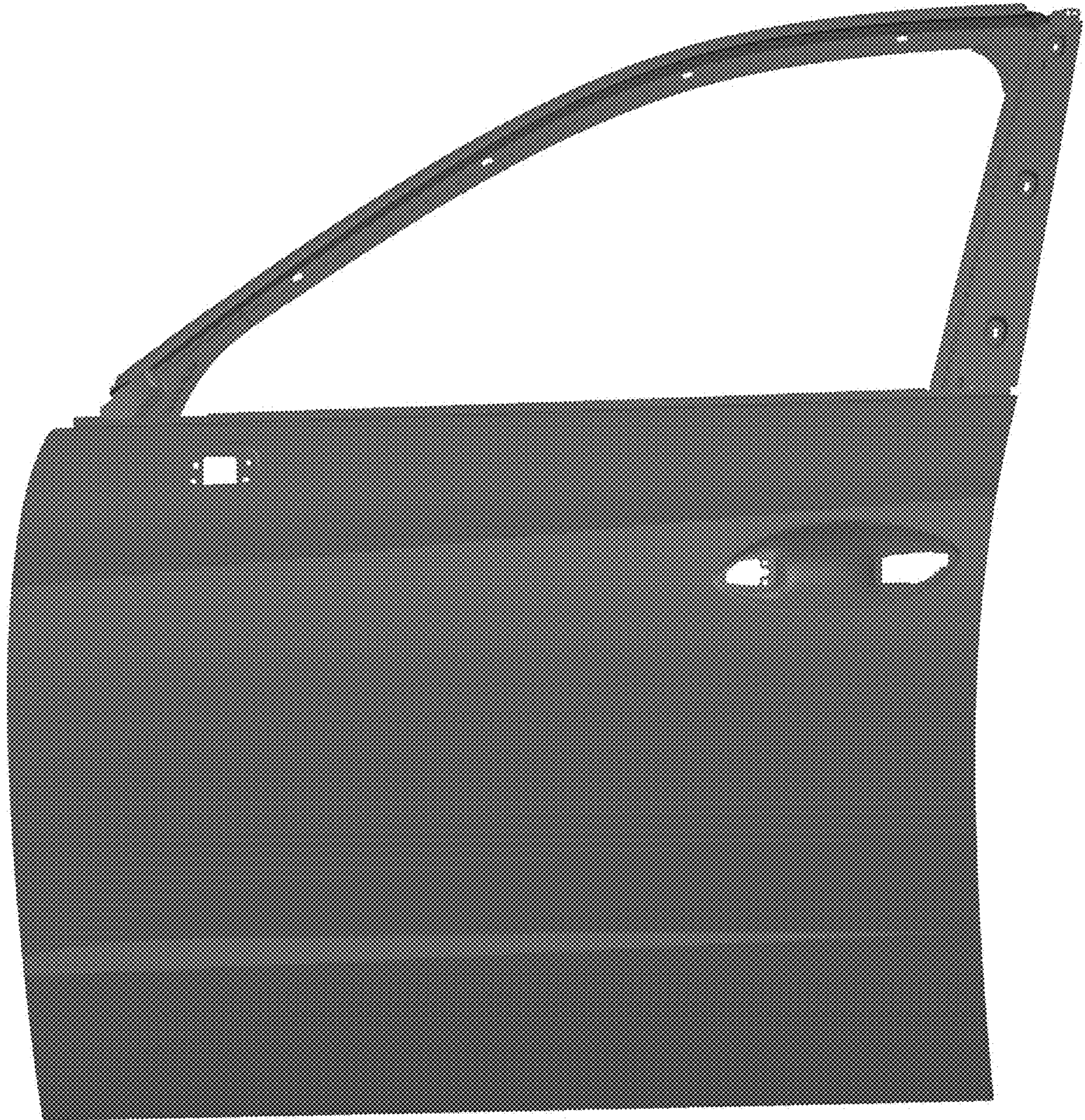
2016/0114658 A1\* 4/2016 Yokota ..... B60J 5/0402  
49/489.1  
2018/0051492 A1\* 2/2018 Smith ..... E05B 79/06

\* cited by examiner

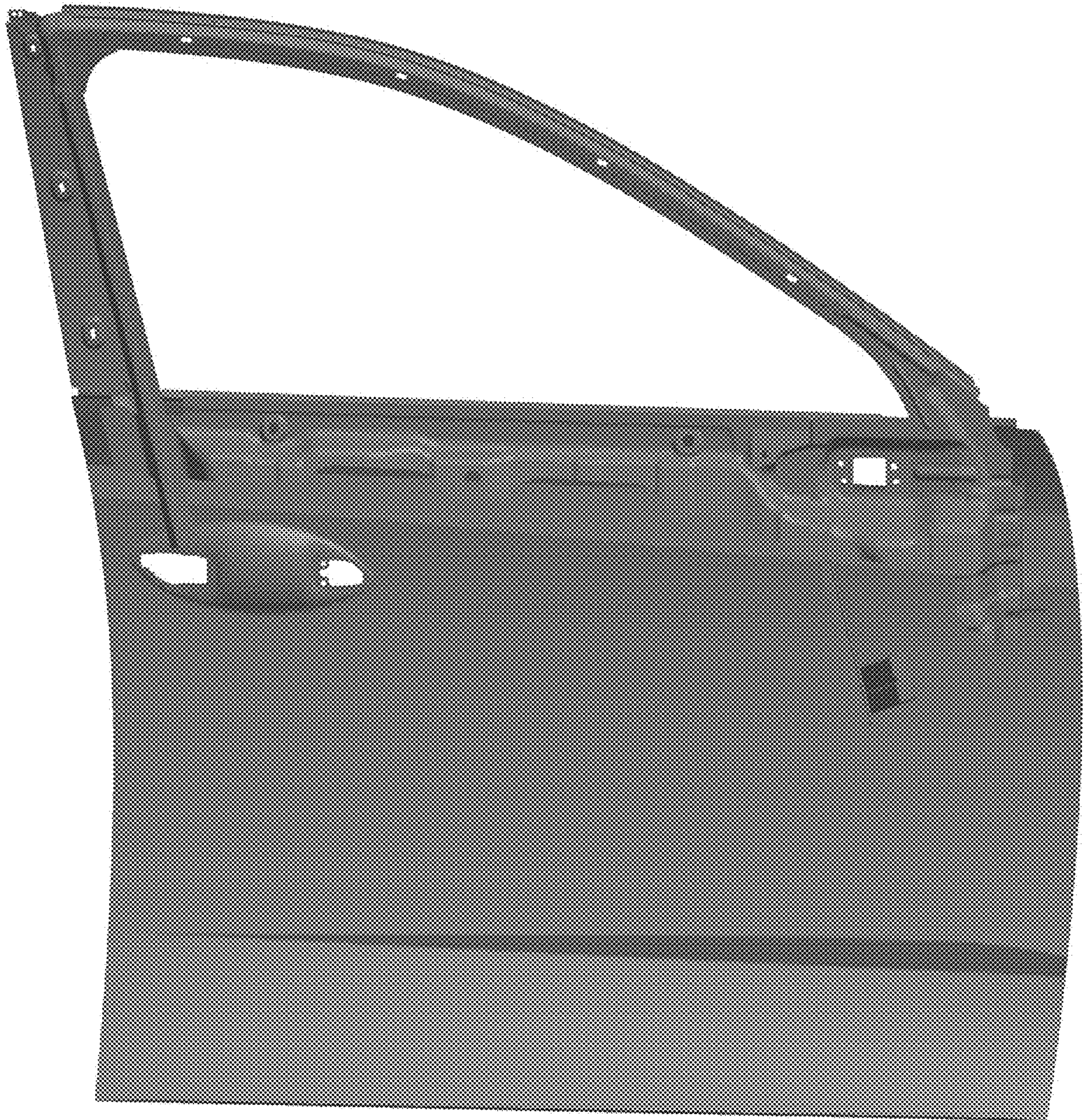
1.1



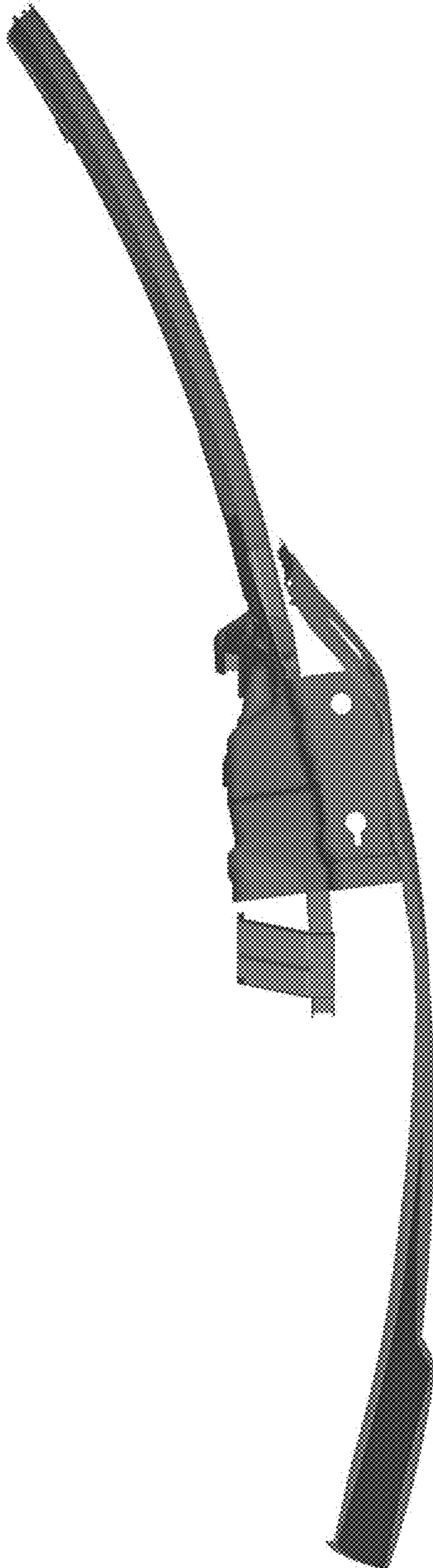
1.2



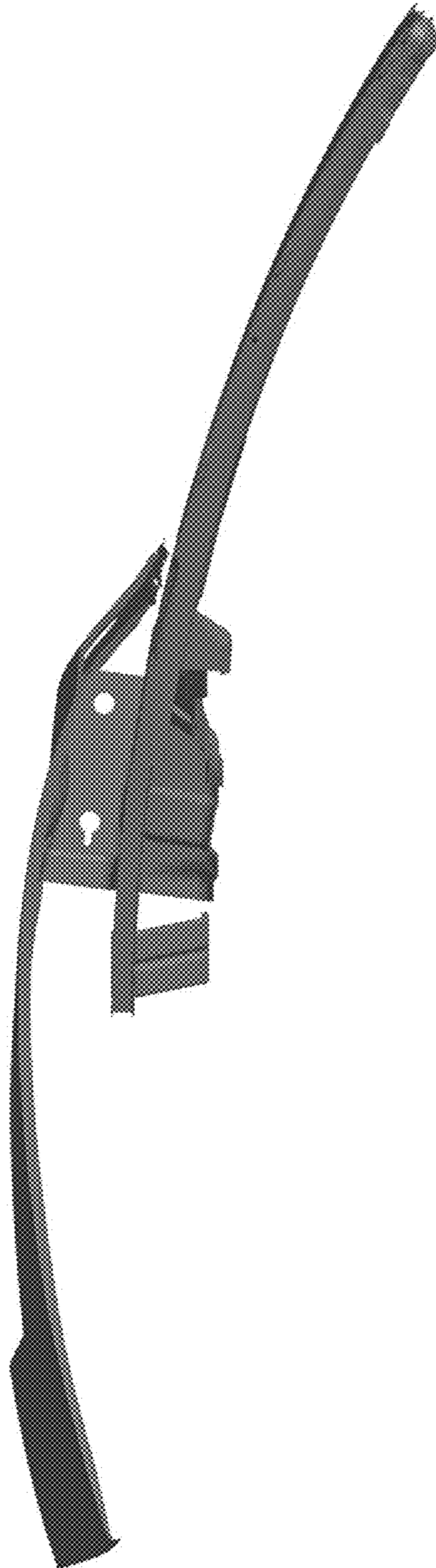
1.3



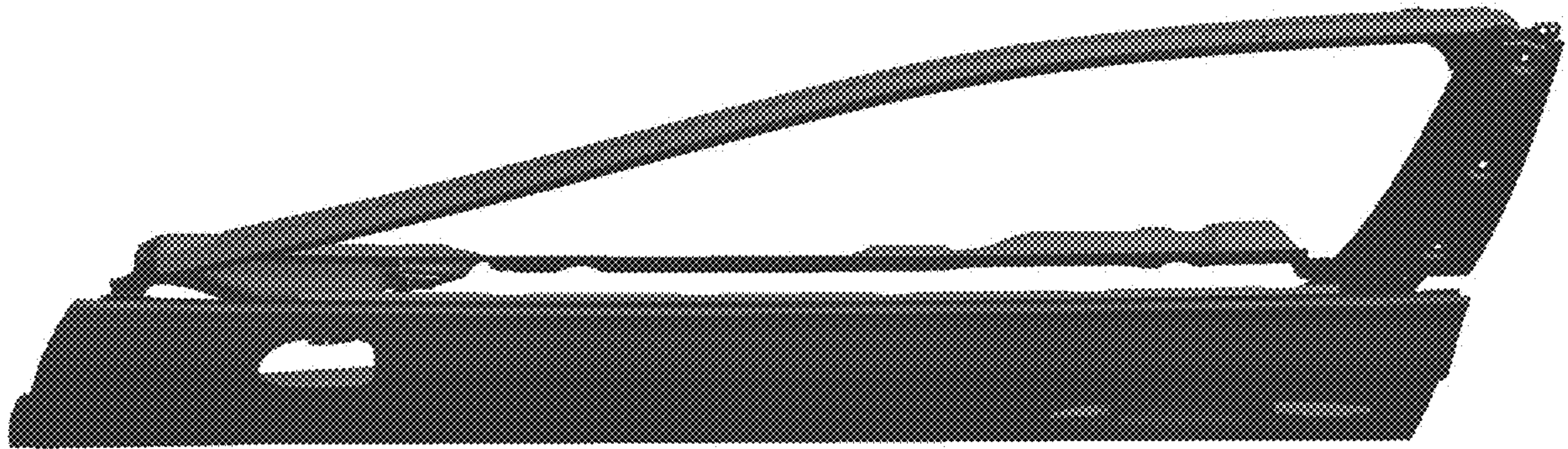
1.4



1.5



1.6





1.7

