



US00D930543S

(12) **United States Design Patent** (10) **Patent No.:** **US D930,543 S**
Kim et al. (45) **Date of Patent:** **** Sep. 14, 2021**

(54) **REAR DOOR PANEL FOR AUTOMOBILES**

(56) **References Cited**

(71) Applicants: **KIA MOTORS CORPORATION**,
Seoul (KR); **HYUNDAI MOTOR**
COMPANY, Seoul (KR)

U.S. PATENT DOCUMENTS

D695,664 S	*	12/2013	Suga	D12/196
D786,763 S	*	5/2017	Park	D12/196
D823,765 S	*	7/2018	Han	D12/196
D832,170 S	*	10/2018	Park	D12/196
D875,634 S	*	2/2020	Lim	D12/196
D892,695 S	*	8/2020	Oh	D12/196

(72) Inventors: **Sung-Wook Kim**, Gunpo-si (KR);
Ki-Hyun Choi, Yongin-si (KR)

(**) Term: **15 Years**

* cited by examiner

(21) Appl. No.: **35/508,969**

Primary Examiner — George D. Kirschbaum

(22) Filed: **Dec. 20, 2019**

Assistant Examiner — Joseph J Kukella

(80) **Hague Agreement Data**

(57) **CLAIM**

Int. Filing Date: **Dec. 20, 2019**
Int. Reg. No.: **DM/206635**
Int. Reg. Date: **Dec. 20, 2019**
Int. Reg. Pub. Date: **Apr. 3, 2020**

The ornamental design for a rear door panel for automobiles,
as shown and described.

DESCRIPTION

(30) **Foreign Application Priority Data**

Sep. 16, 2019 (KR) 3020190044322

(51) **LOC (13) Cl.** **12-16**

(52) **U.S. Cl.**
USPC **D12/196**

(58) **Field of Classification Search**
USPC D12/90-92, 169, 190, 195, 196
CPC B60J 5/10; B60J 5/101; D62D 25/087
See application file for complete search history.

1. Rear door panel for automobiles
- 1.1 is a perspective view of a rear door panel for automobiles showing our new design;
- 1.2 is a front elevation view thereof;
- 1.3 is a rear elevation view thereof;
- 1.4 is a left side elevation view thereof;
- 1.5 is a right side elevation view thereof;
- 1.6 is a top plan view thereof; and
- 1.7 is a bottom plan view thereof.

1 Claim, 7 Drawing Sheets

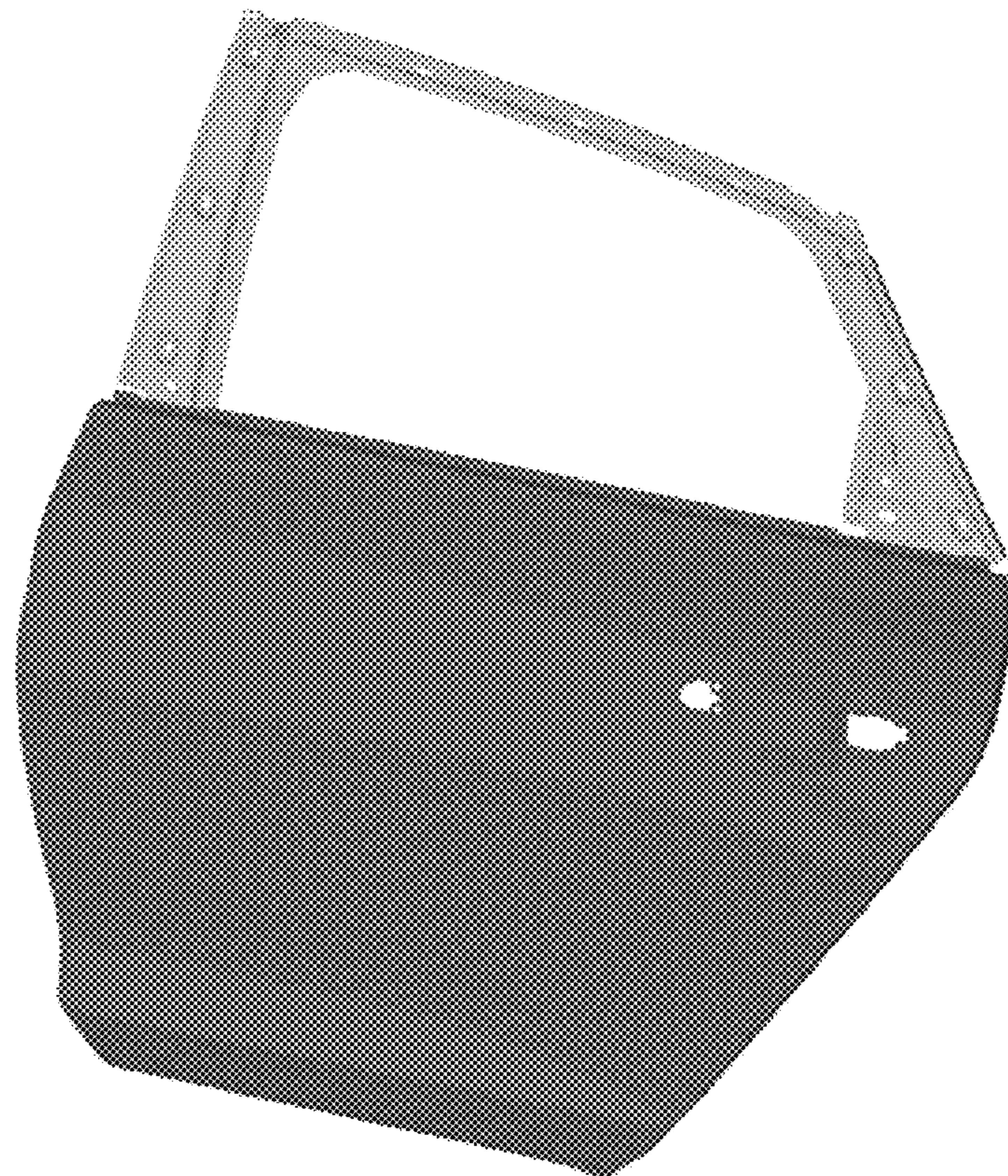


FIG. 1.1

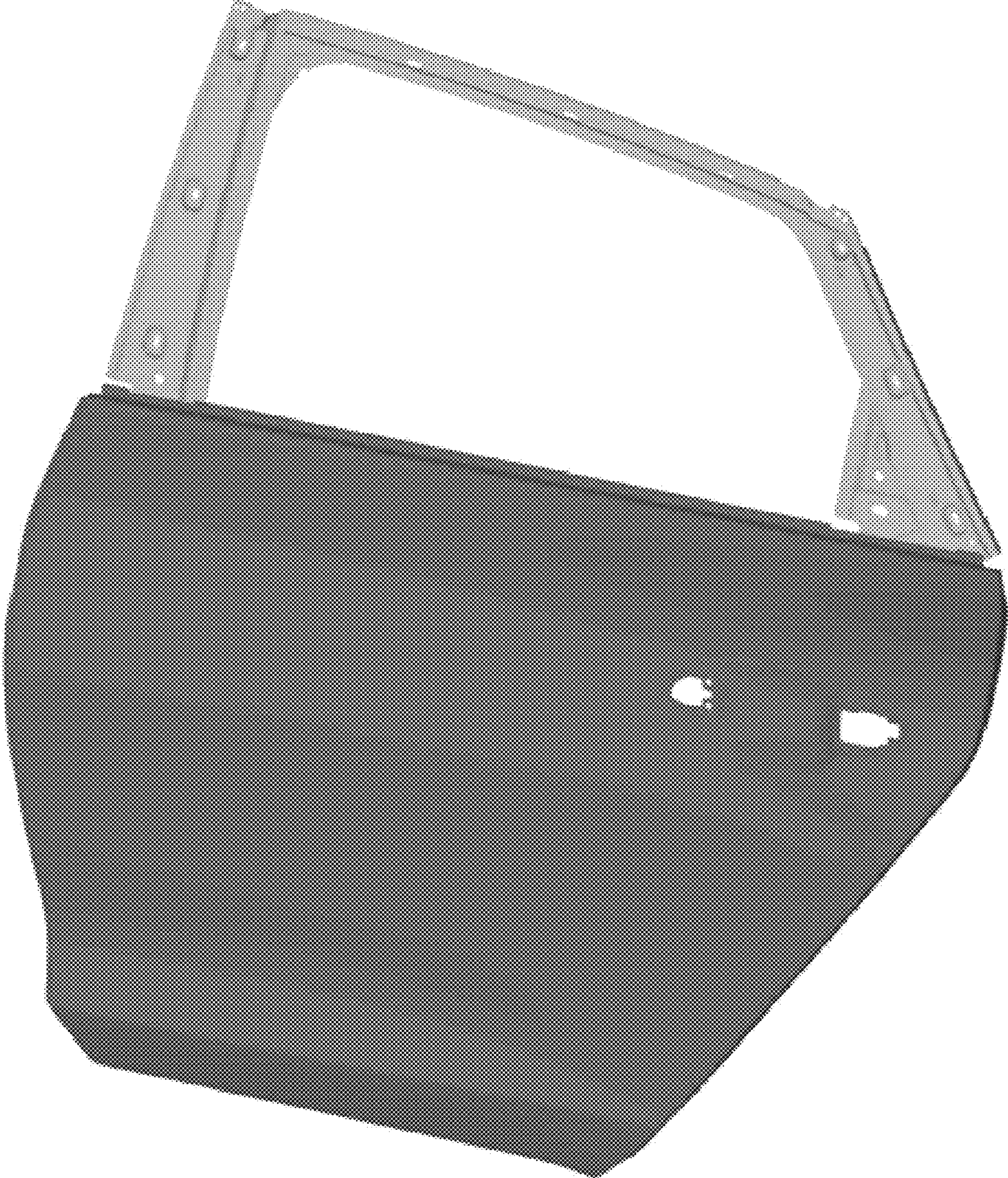


FIG. 1.2



FIG. 1.3

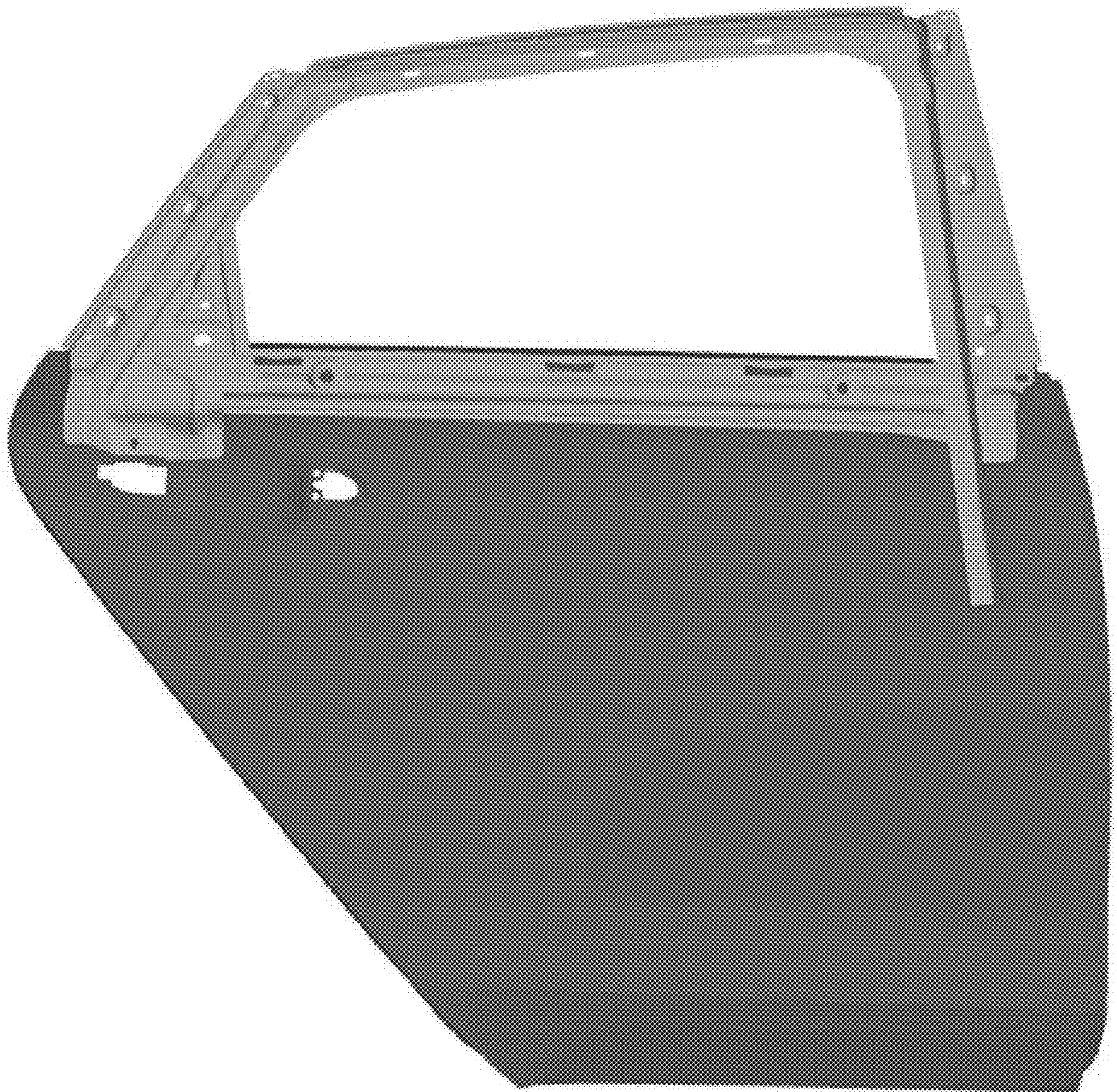


FIG. 1.4



FIG. 1.5

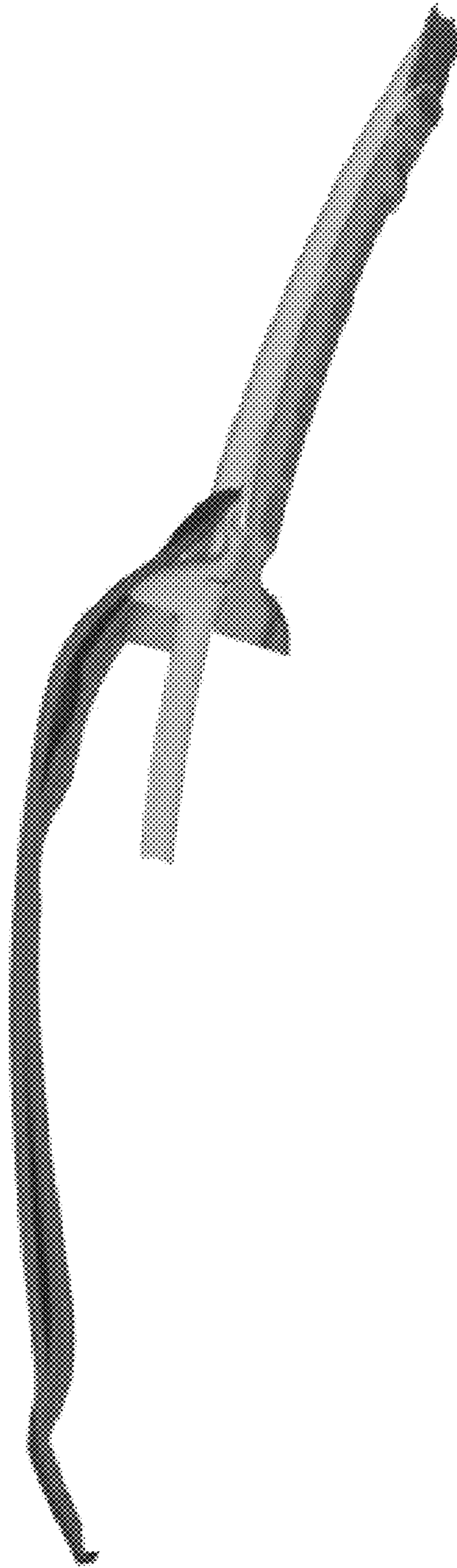


FIG. 1.6

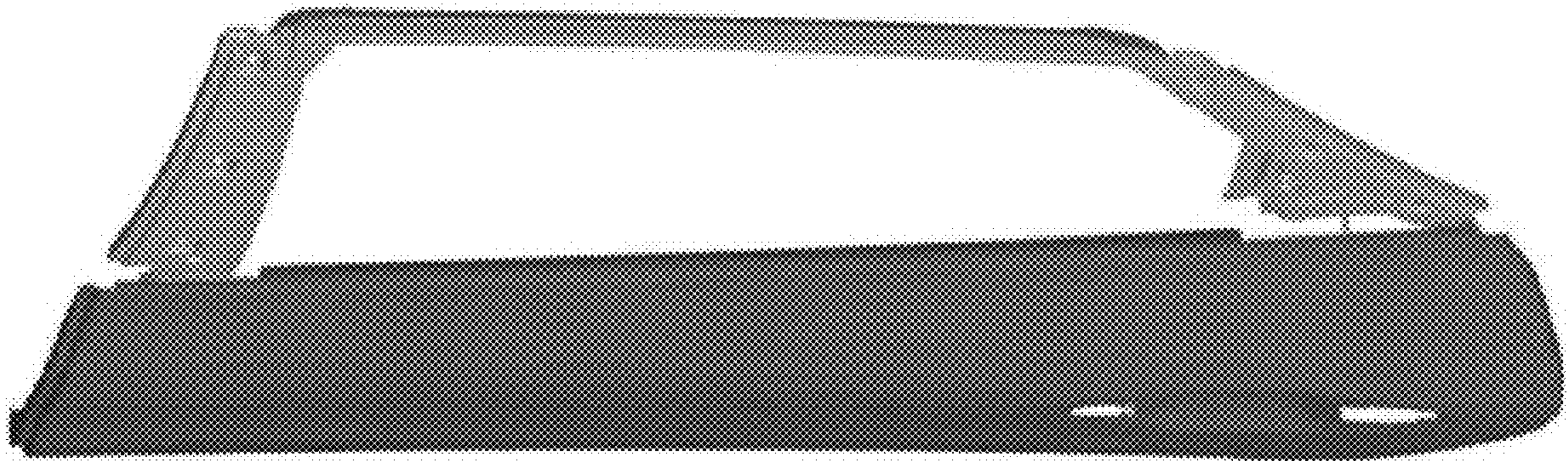


FIG. 1.7

