



US00D930535S

(12) **United States Design Patent**
He

(10) **Patent No.:** **US D930,535 S**

(45) **Date of Patent:** **** Sep. 14, 2021**

(54) **TRUCK SIDE MIRROR**

(71) Applicant: **HAICHEN AUTO PARTS CO., LTD.,**
Zhejiang (CN)

(72) Inventor: **Qiyu He,** Zhejiang (CN)

(73) Assignee: **HAICHEN AUTO PARTS CO., LTD.,**
Zhejiang (CN)

(**) Term: **15 Years**

(21) Appl. No.: **29/731,256**

(22) Filed: **Apr. 14, 2020**

(51) **LOC (13) Cl.** **12-16**

(52) **U.S. Cl.**
USPC **D12/187**

(58) **Field of Classification Search**
USPC D12/187, 188, 189, 191, 195, 179, 192;
D6/300, 309
CPC B60R 1/06; B60R 1/074; B60R 1/076;
B60R 1/082; B60R 1/081; B60R 1/08;
B60R 1/078
See application file for complete search history.

(56) **References Cited**

U.S. PATENT DOCUMENTS

D545,741 S * 7/2007 Branham D12/187
D575,710 S * 8/2008 Zimmer D12/187
D696,170 S * 12/2013 Ito D12/187

D699,653 S * 2/2014 Markstaller D12/187
D702,609 S * 4/2014 Hovind D12/187
D775,033 S * 12/2016 Wang D12/190
D791,658 S * 7/2017 Ito D12/187
D798,209 S * 9/2017 Tseng D12/187
D798,782 S * 10/2017 Tseng D12/187
D815,001 S * 4/2018 Banceu D12/187
D815,577 S * 4/2018 Chiang D12/187
D824,305 S * 7/2018 Henry D12/187
D898,643 S * 10/2020 Gonzalez D12/187

* cited by examiner

Primary Examiner — Susan E Krakower

Assistant Examiner — Jerry Shiuan-Hua Hsu

(74) *Attorney, Agent, or Firm* — JCIP Global Inc.

(57) **CLAIM**

The ornamental design for a truck side mirror, as shown and described.

DESCRIPTION

FIG. 1 is a perspective view of a truck side mirror showing my new design;

FIG. 2 is a front view thereof;

FIG. 3 is a rear view thereof;

FIG. 4 is a left side view thereof;

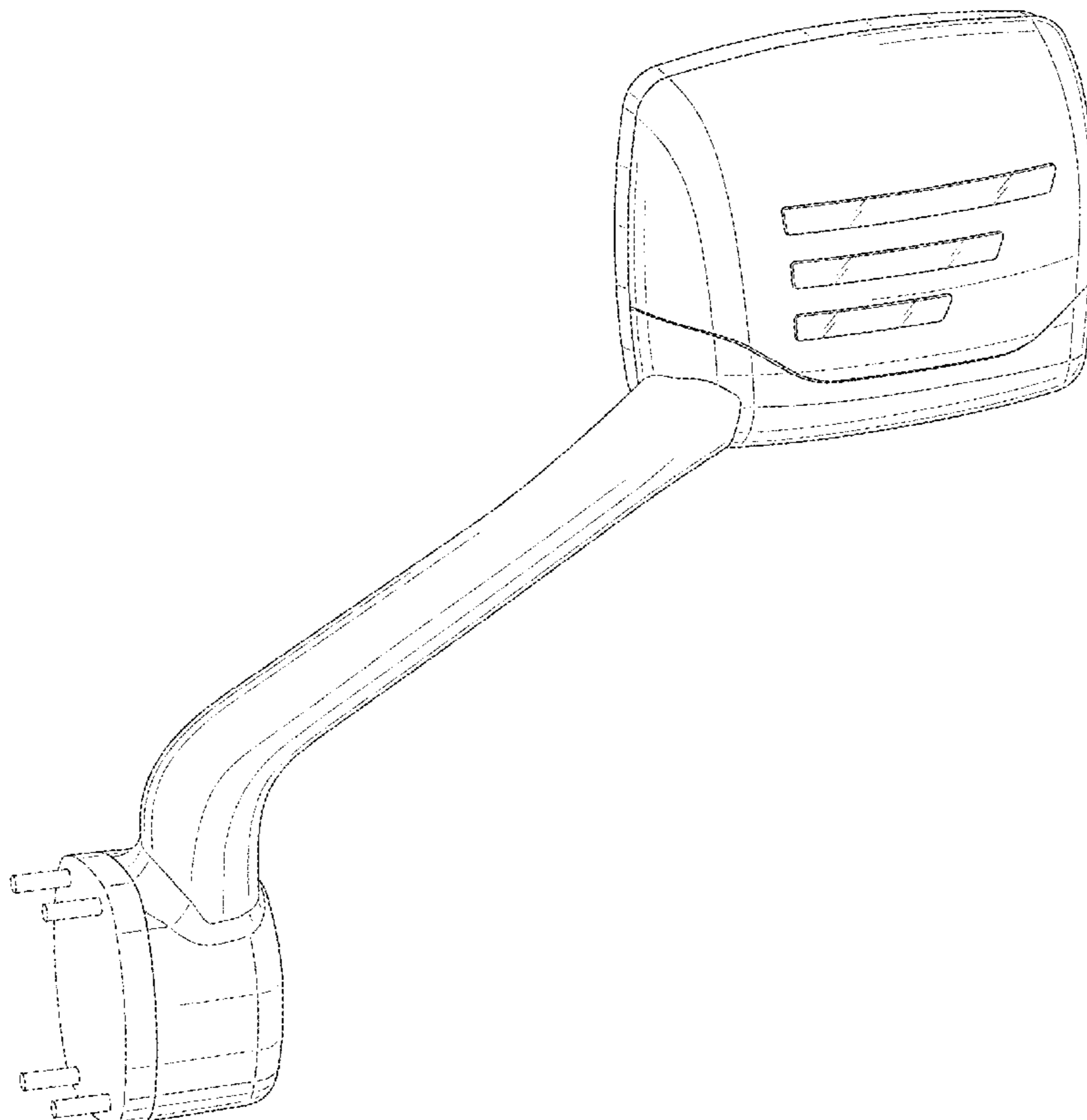
FIG. 5 is a right side view thereof;

FIG. 6 is a top view thereof; and,

FIG. 7 is a bottom view thereof.

The dashed broken lines illustrate portions of the article that form no part of the claimed design.

1 Claim, 7 Drawing Sheets



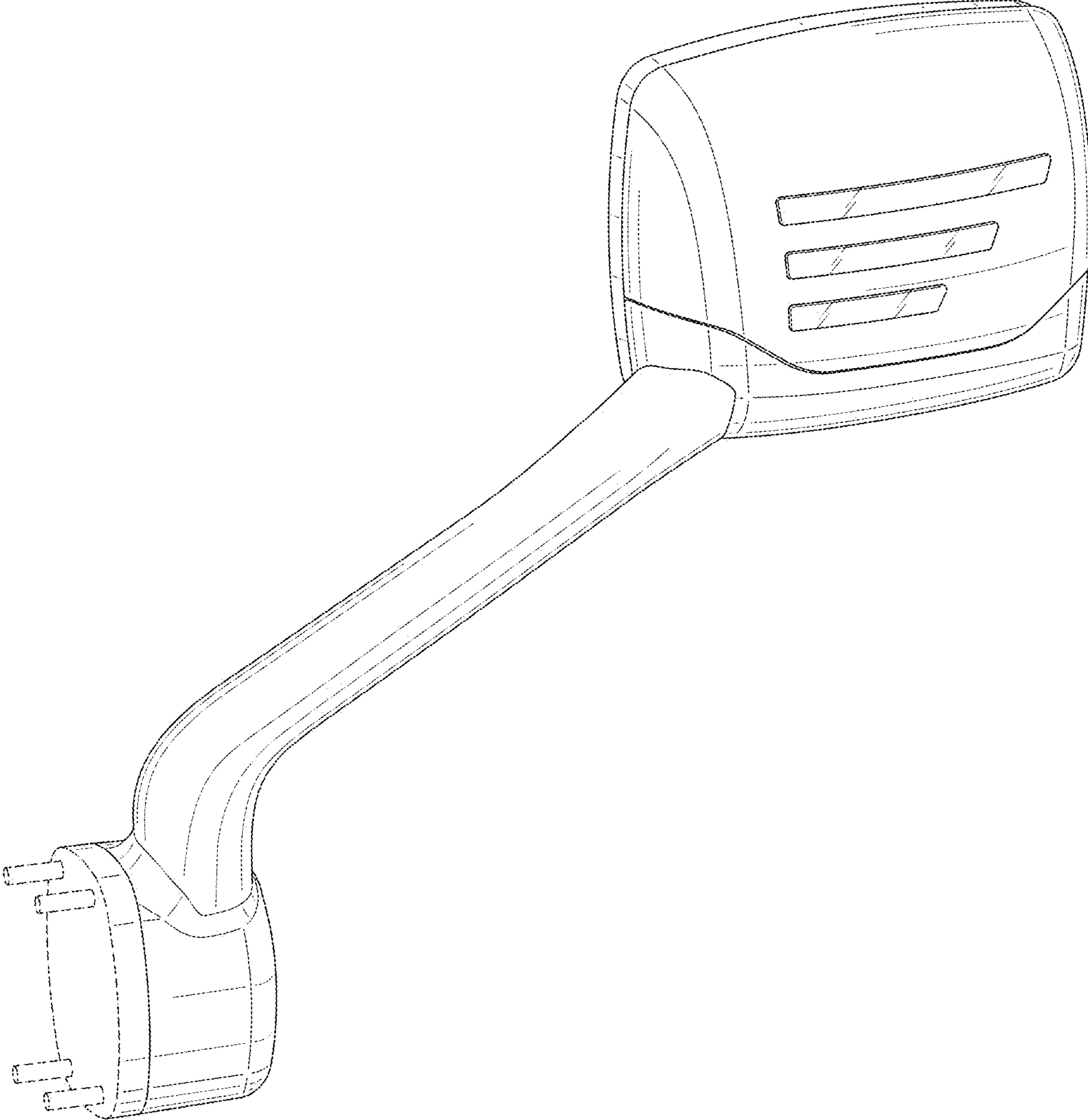


FIG. 1

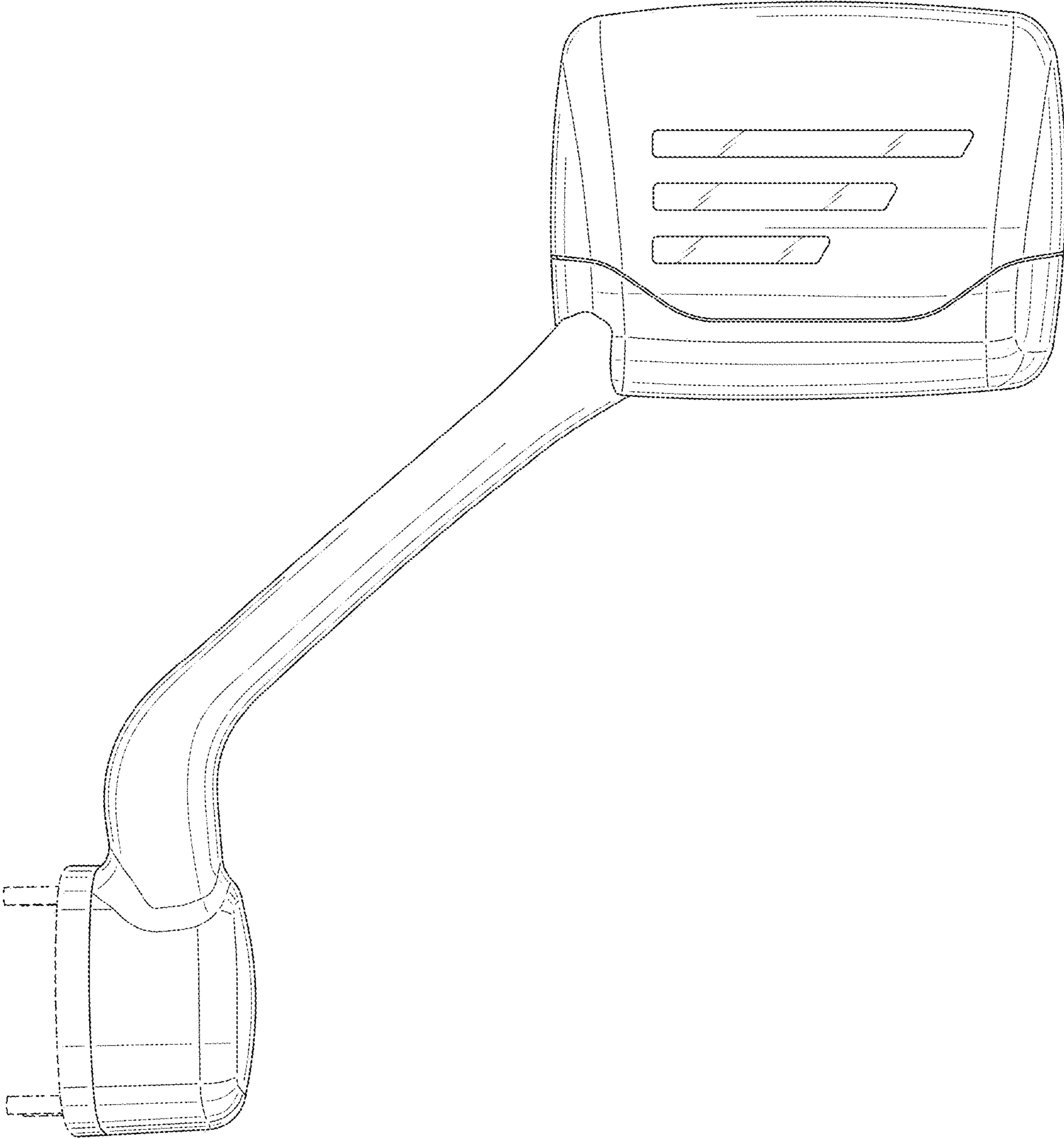


FIG. 2

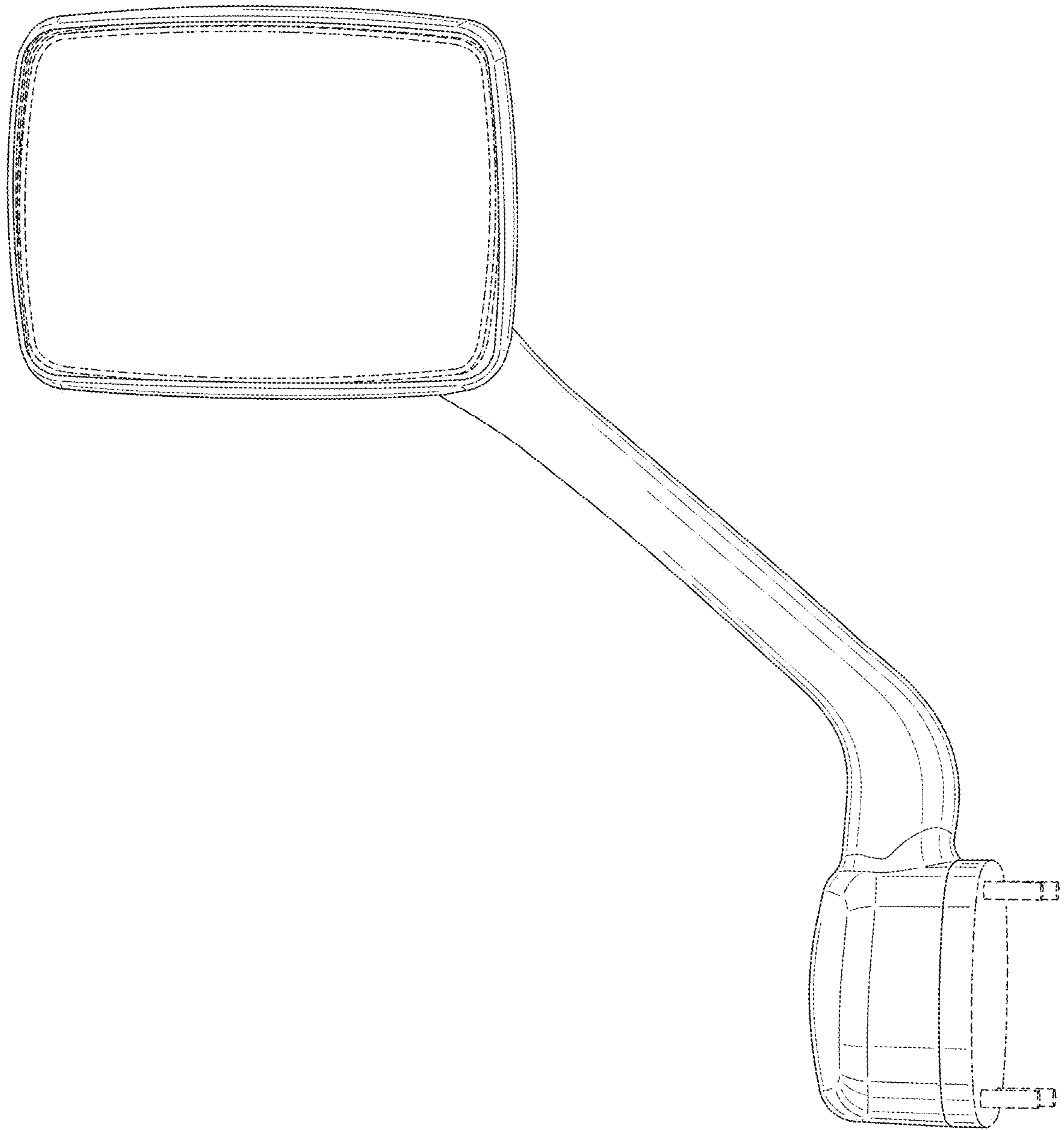


FIG. 3

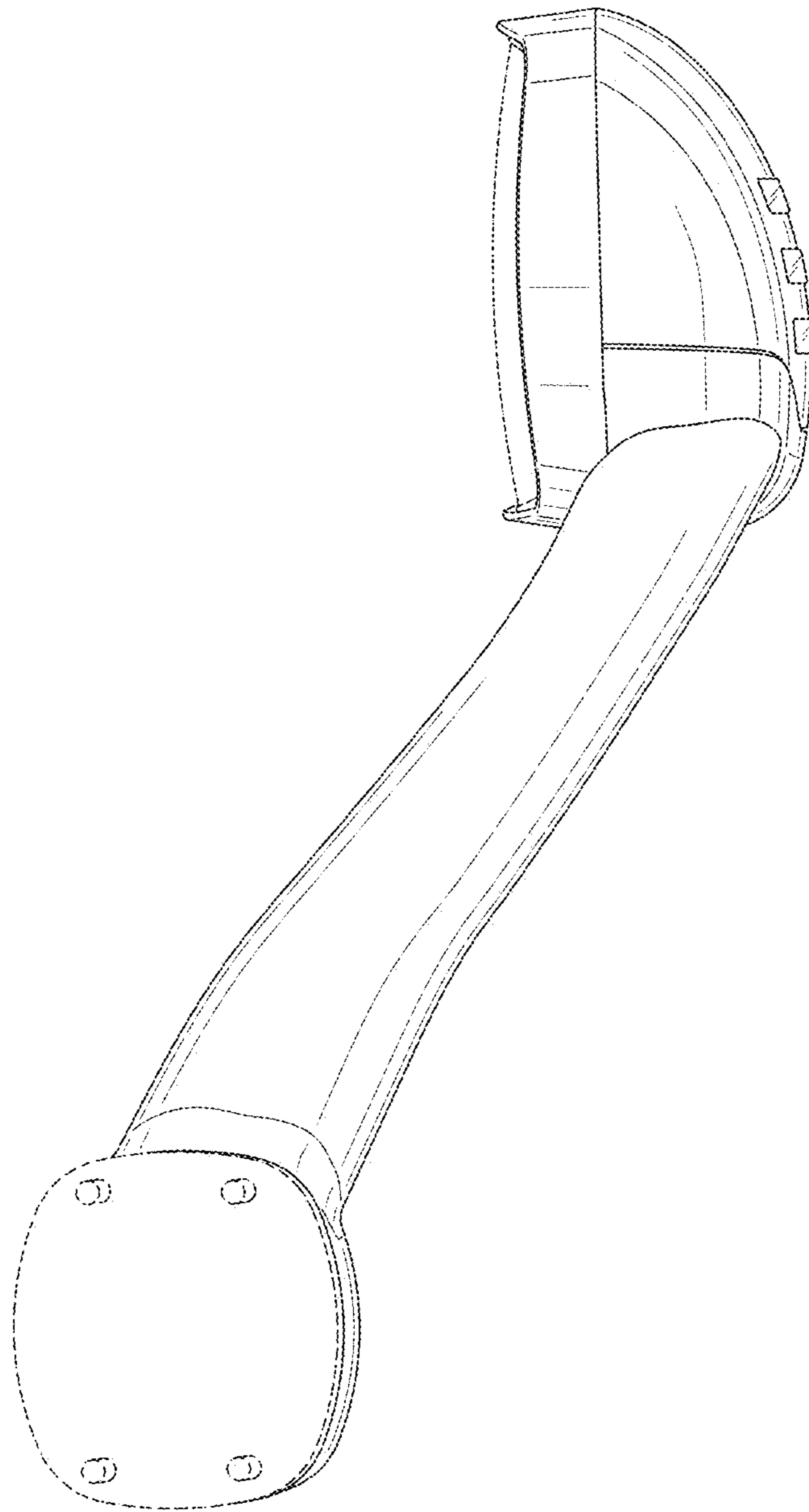


FIG. 4

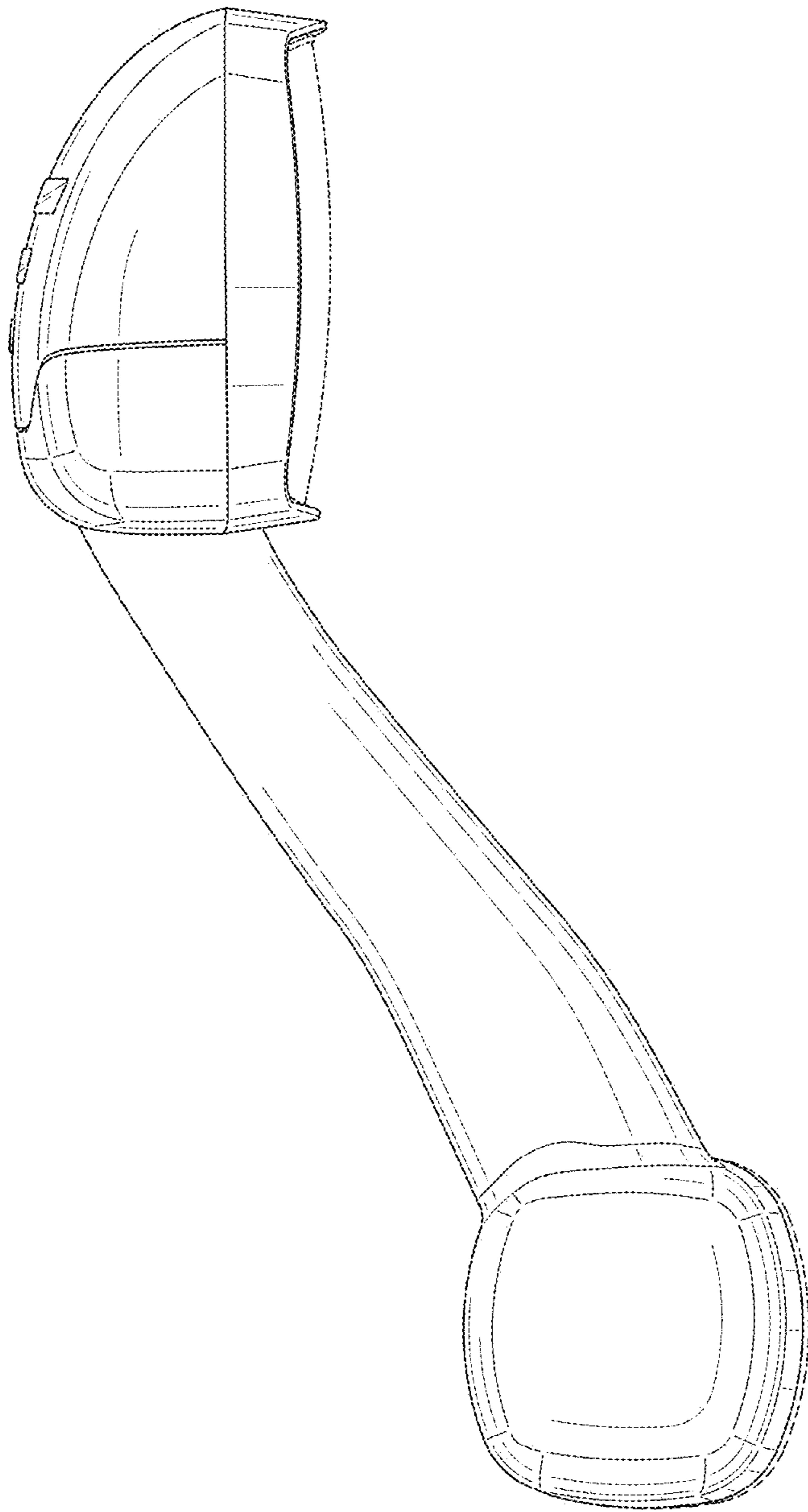


FIG. 5

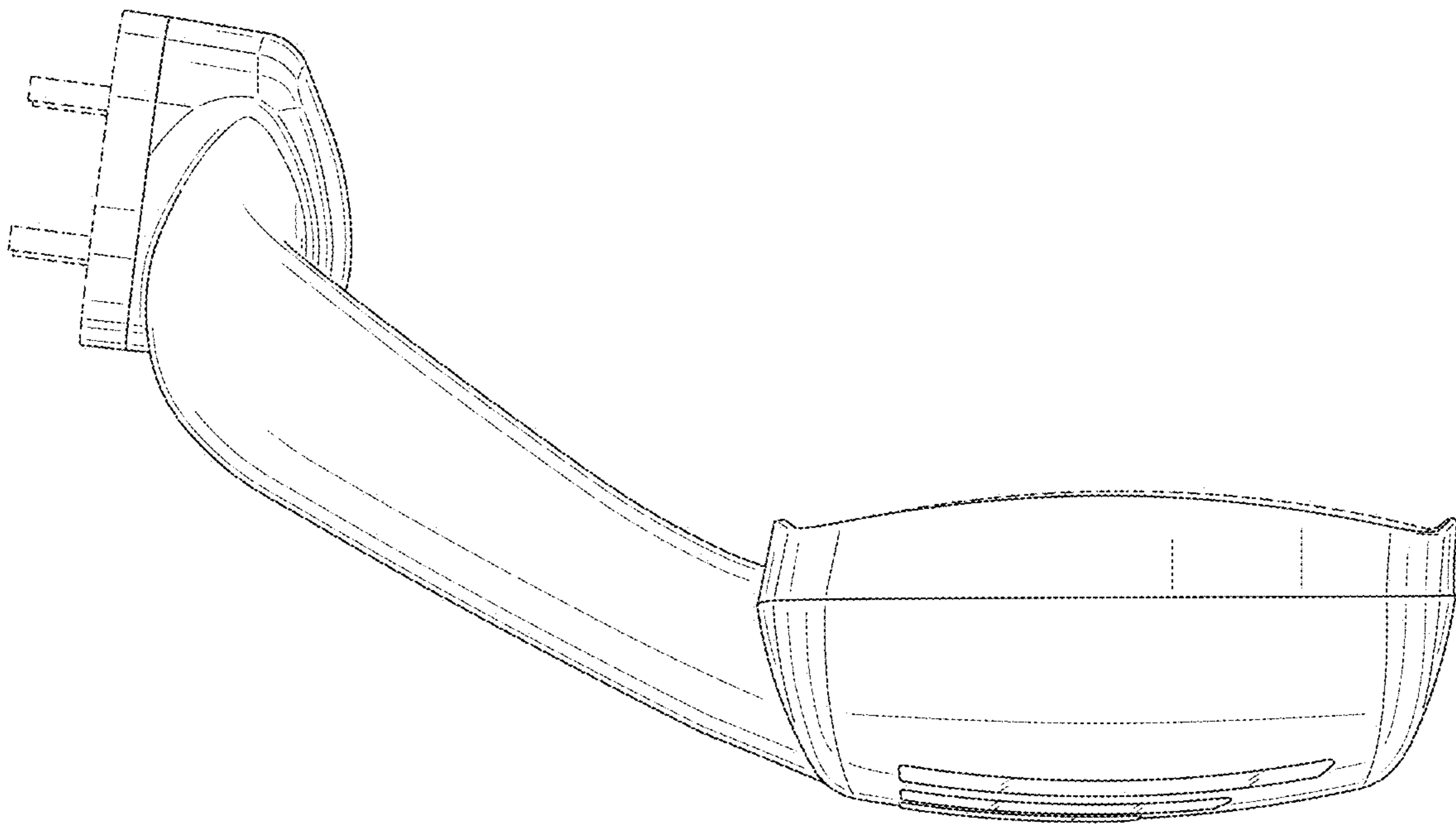


FIG. 6

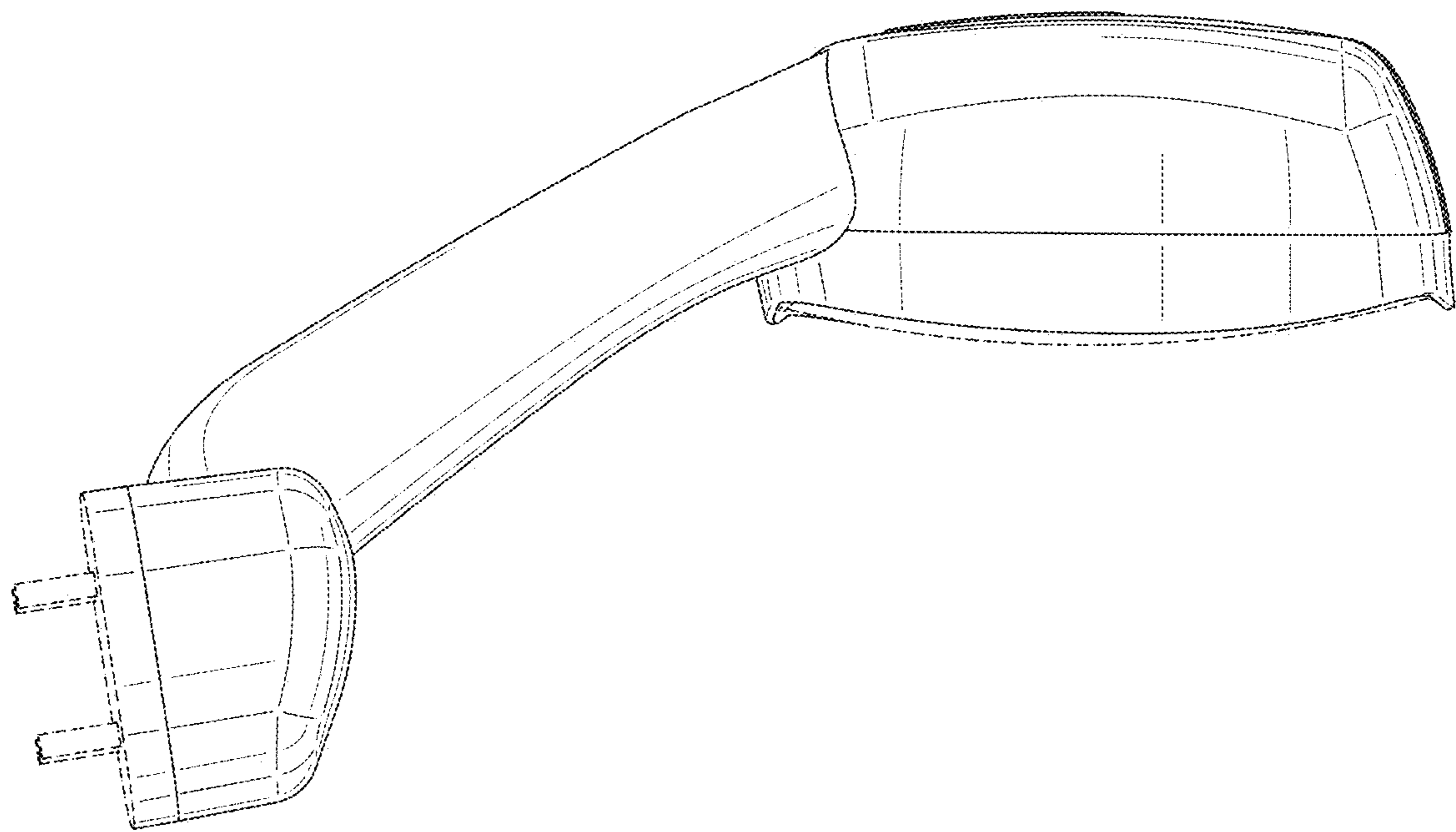


FIG. 7