



US00D930534S

(12) **United States Design Patent**  
**He**

(10) **Patent No.:** **US D930,534 S**

(45) **Date of Patent:** **\*\* Sep. 14, 2021**

(54) **TRUCK SIDE MIRROR**

(71) Applicant: **HAICHEN AUTO PARTS CO., LTD.,**  
Zhejiang (CN)

(72) Inventor: **Qiyu He**, Zhejiang (CN)

(73) Assignee: **HAICHEN AUTO PARTS CO., LTD.,**  
Zhejiang (CN)

(\*\*) Term: **15 Years**

(21) Appl. No.: **29/725,536**

(22) Filed: **Feb. 26, 2020**

(30) **Foreign Application Priority Data**

Dec. 31, 2019 (CN) ..... 201930747813.0

(51) **LOC (13) Cl.** ..... **12-16**

(52) **U.S. Cl.**  
USPC ..... **D12/187**

(58) **Field of Classification Search**

USPC ..... D12/187, 188, 189, 191, 195, 179, 192;  
D6/300, 309

CPC ..... B60R 1/06; B60R 1/074; B60R 1/076;  
B60R 1/082; B60R 1/081; B60R 1/08;  
B60R 1/078

See application file for complete search history.

(56) **References Cited**

**U.S. PATENT DOCUMENTS**

D545,741 S \* 7/2007 Branham ..... D12/187  
D575,710 S \* 8/2008 Zimmer ..... D12/187

D696,170 S \* 12/2013 Ito ..... D12/187  
D699,653 S \* 2/2014 Markstaller ..... D12/187  
D702,609 S \* 4/2014 Hovind ..... D12/187  
D775,033 S \* 12/2016 Wang ..... D12/190  
D791,658 S \* 7/2017 Ito ..... D12/187  
D798,209 S \* 9/2017 Tseng ..... D12/187  
D798,782 S \* 10/2017 Tseng ..... D12/187  
D815,001 S \* 4/2018 Banceu ..... D12/187  
D815,577 S \* 4/2018 Chiang ..... D12/187  
D824,305 S \* 7/2018 Henry ..... D12/187  
D898,643 S \* 10/2020 Gonzalez ..... D12/187

\* cited by examiner

*Primary Examiner* — Susan E Krakower

*Assistant Examiner* — Jerry Shiuan-Hua Hsu

(74) *Attorney, Agent, or Firm* — JCIP Global Inc.

(57) **CLAIM**

The ornamental design for a truck side mirror, as shown and described.

**DESCRIPTION**

FIG. 1 is a perspective view of a truck side mirror showing my new design;

FIG. 2 is a front view thereof;

FIG. 3 is a rear view thereof;

FIG. 4 is a left side view thereof;

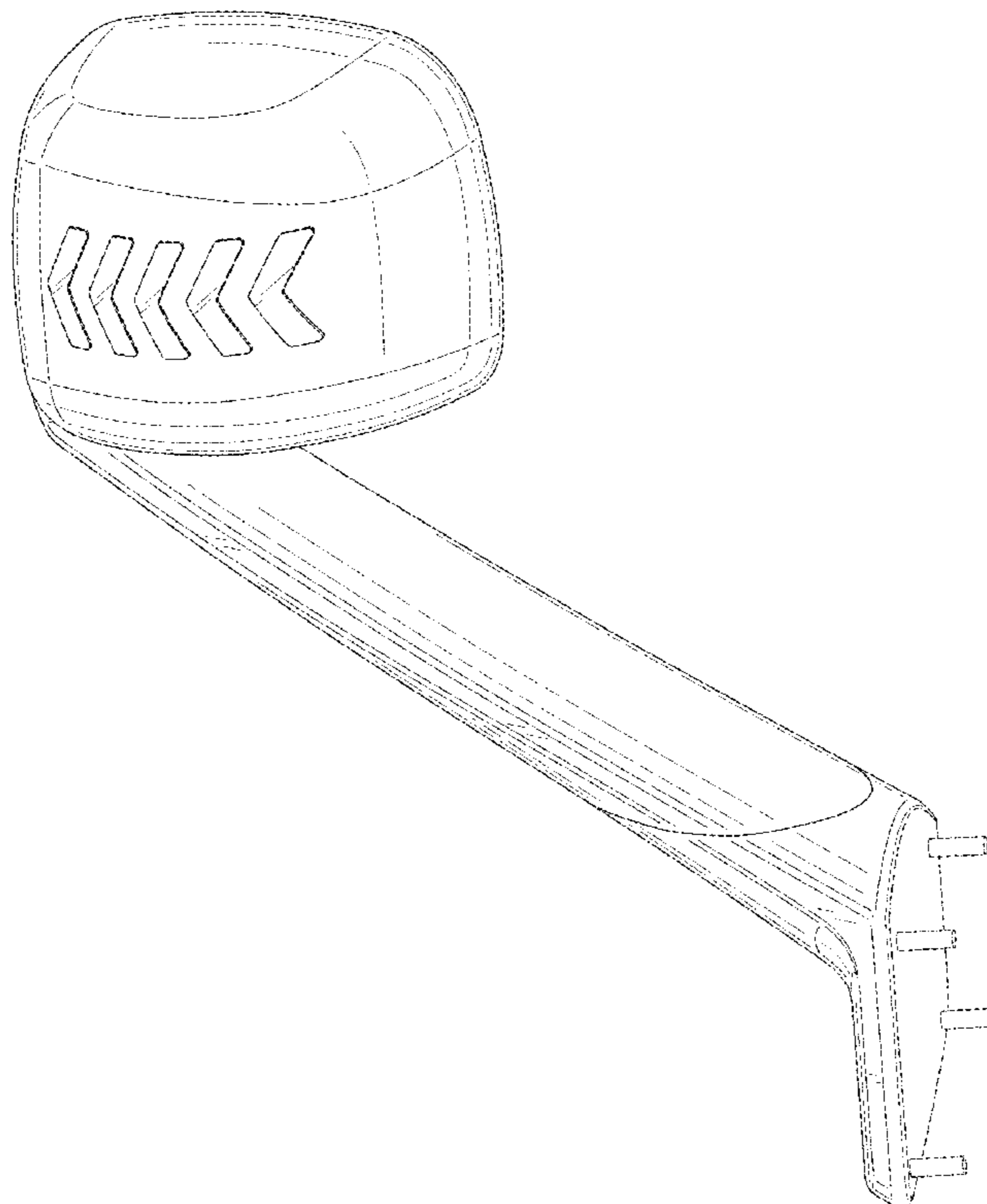
FIG. 5 is a right side view thereof;

FIG. 6 is a top view thereof; and,

FIG. 7 is a bottom view thereof.

The dashed broken lines illustrate portions of the article that form no part of the claimed design.

**1 Claim, 6 Drawing Sheets**



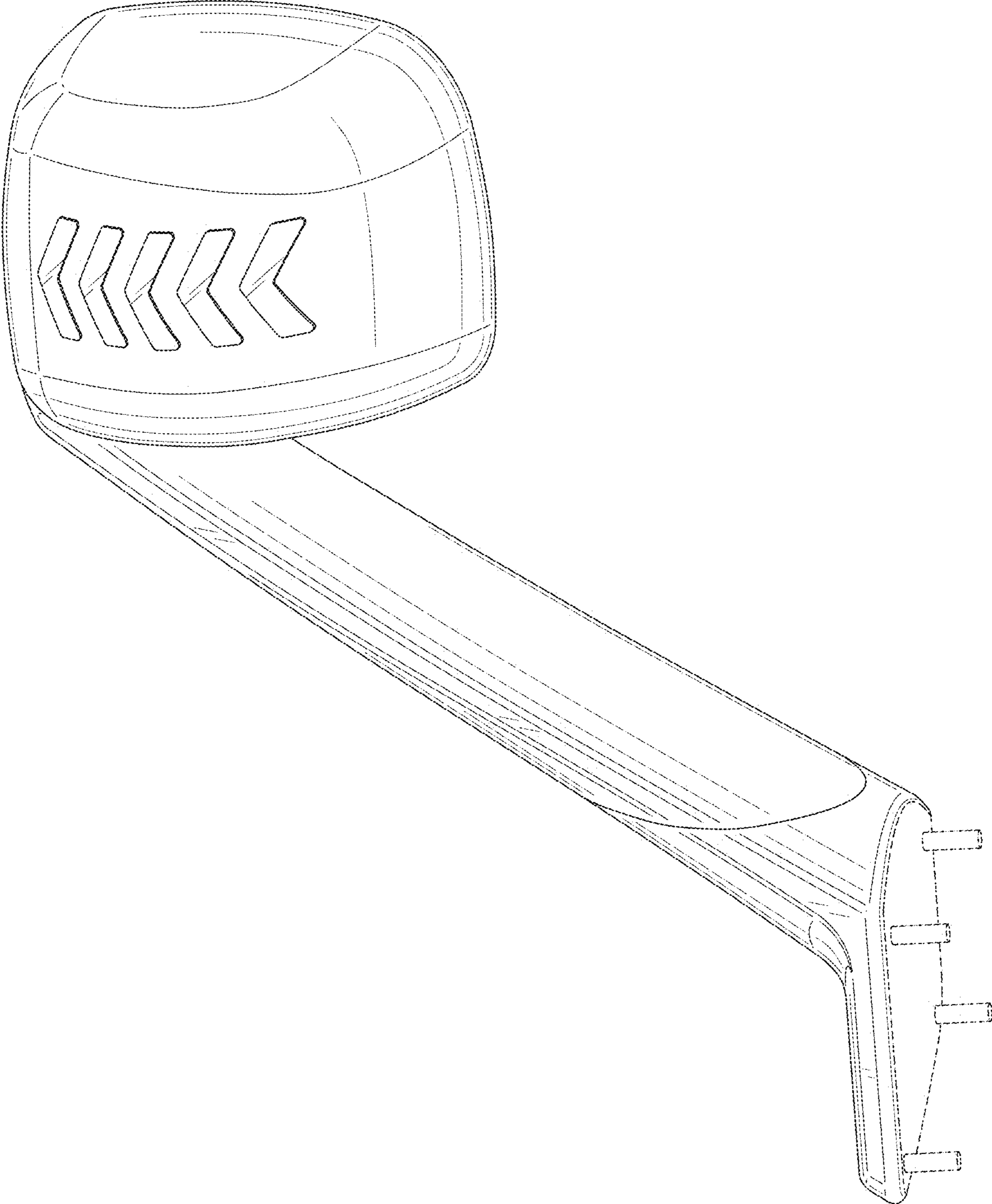


FIG. 1

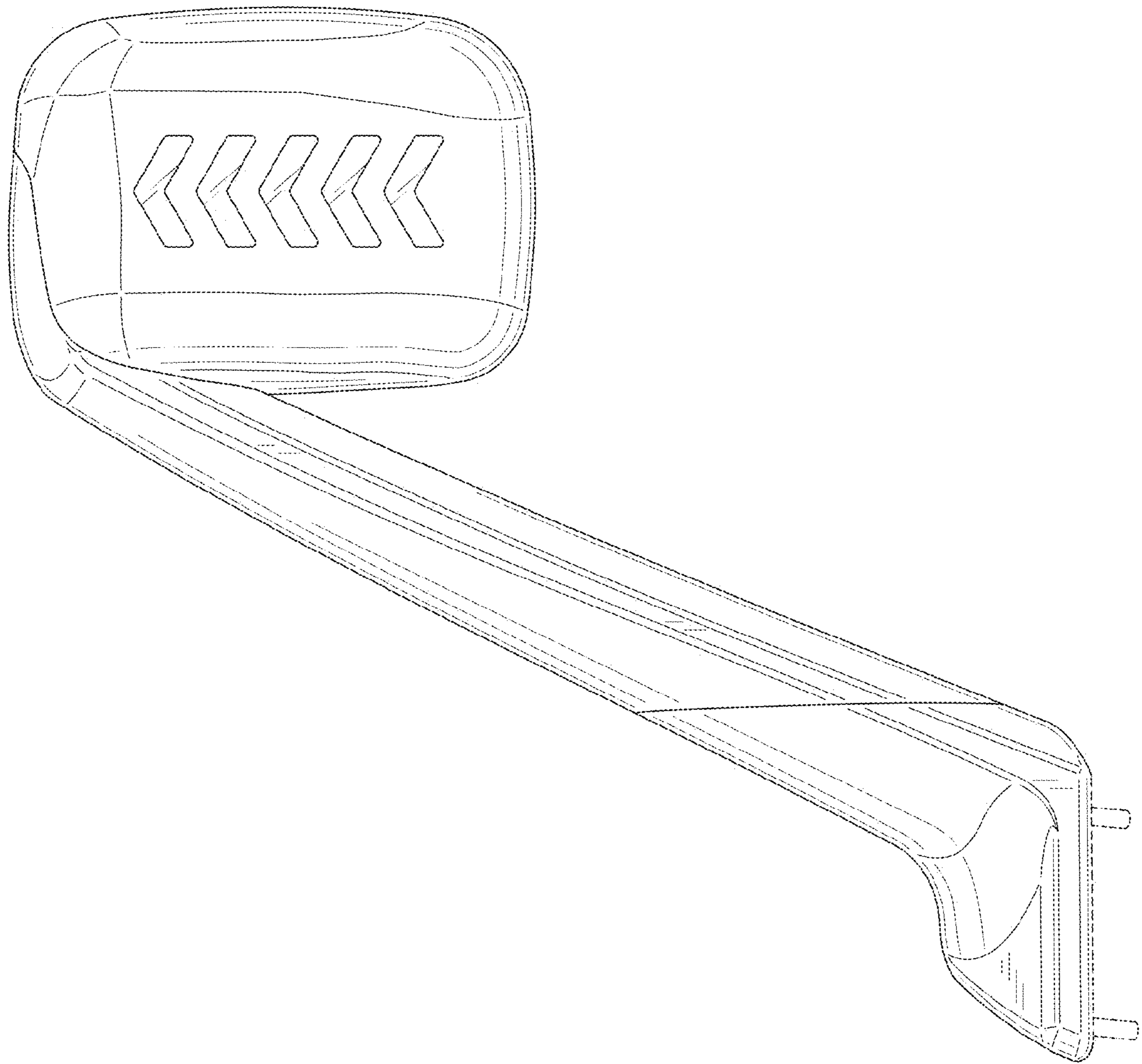


FIG. 2

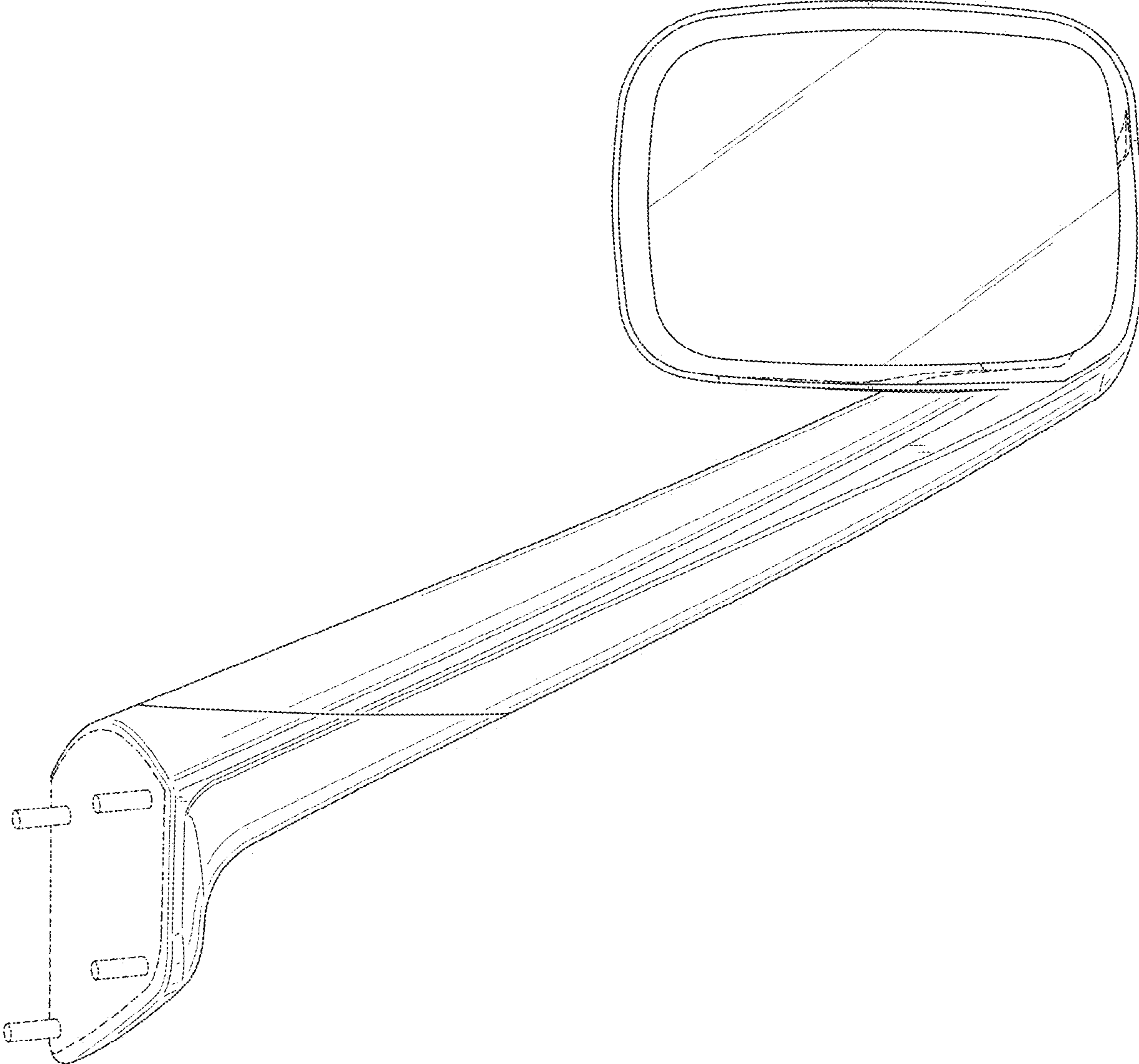


FIG. 3

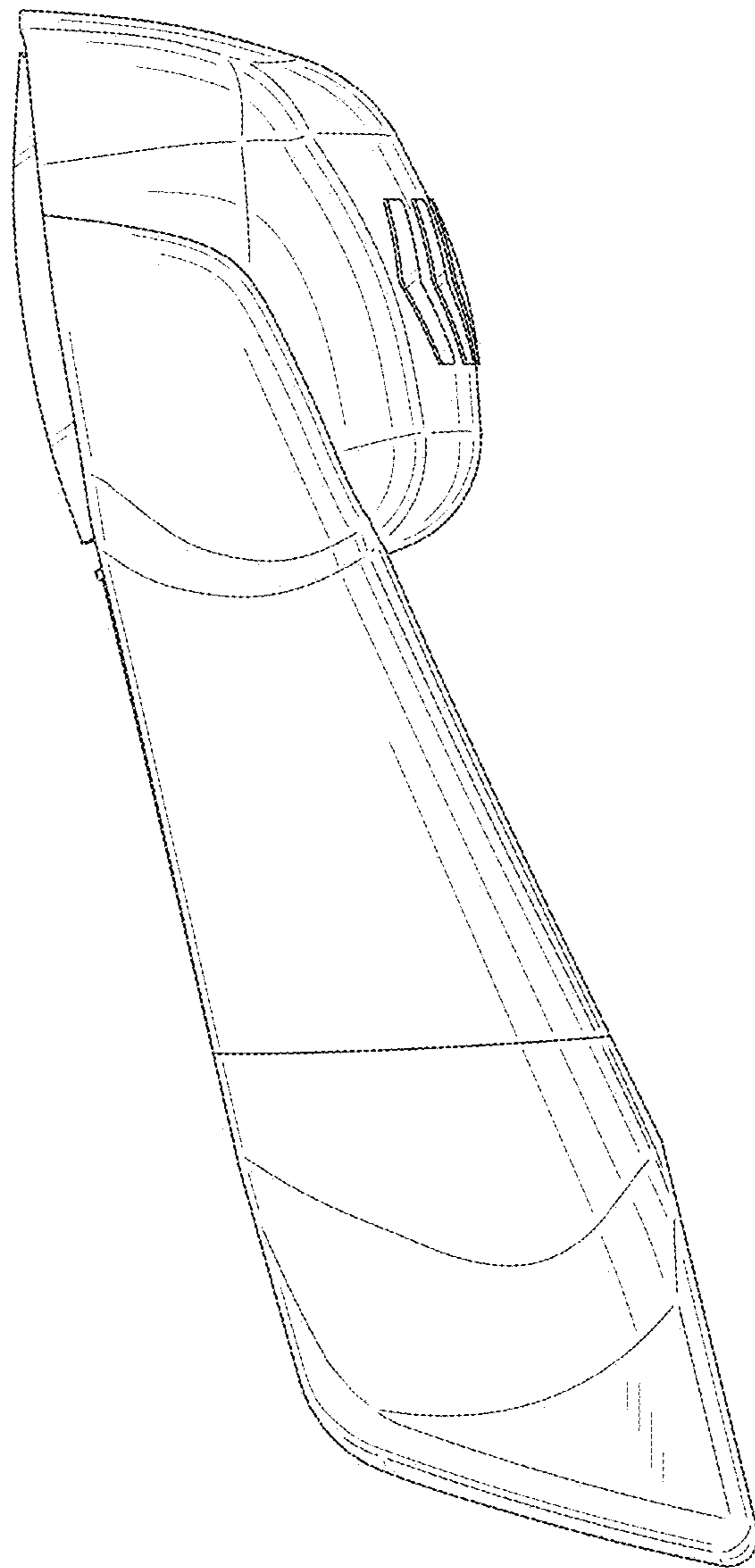


FIG. 4



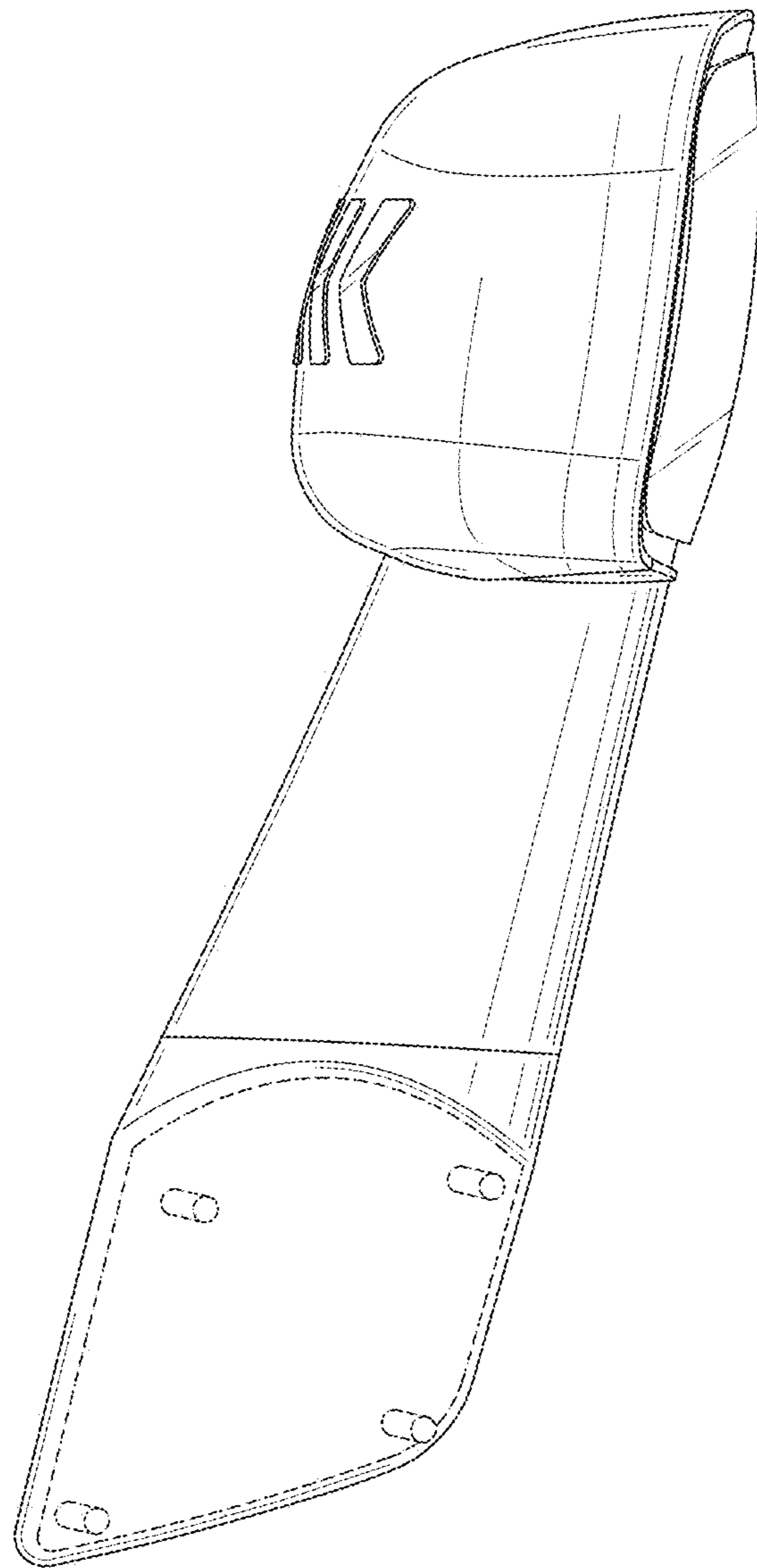


FIG. 5

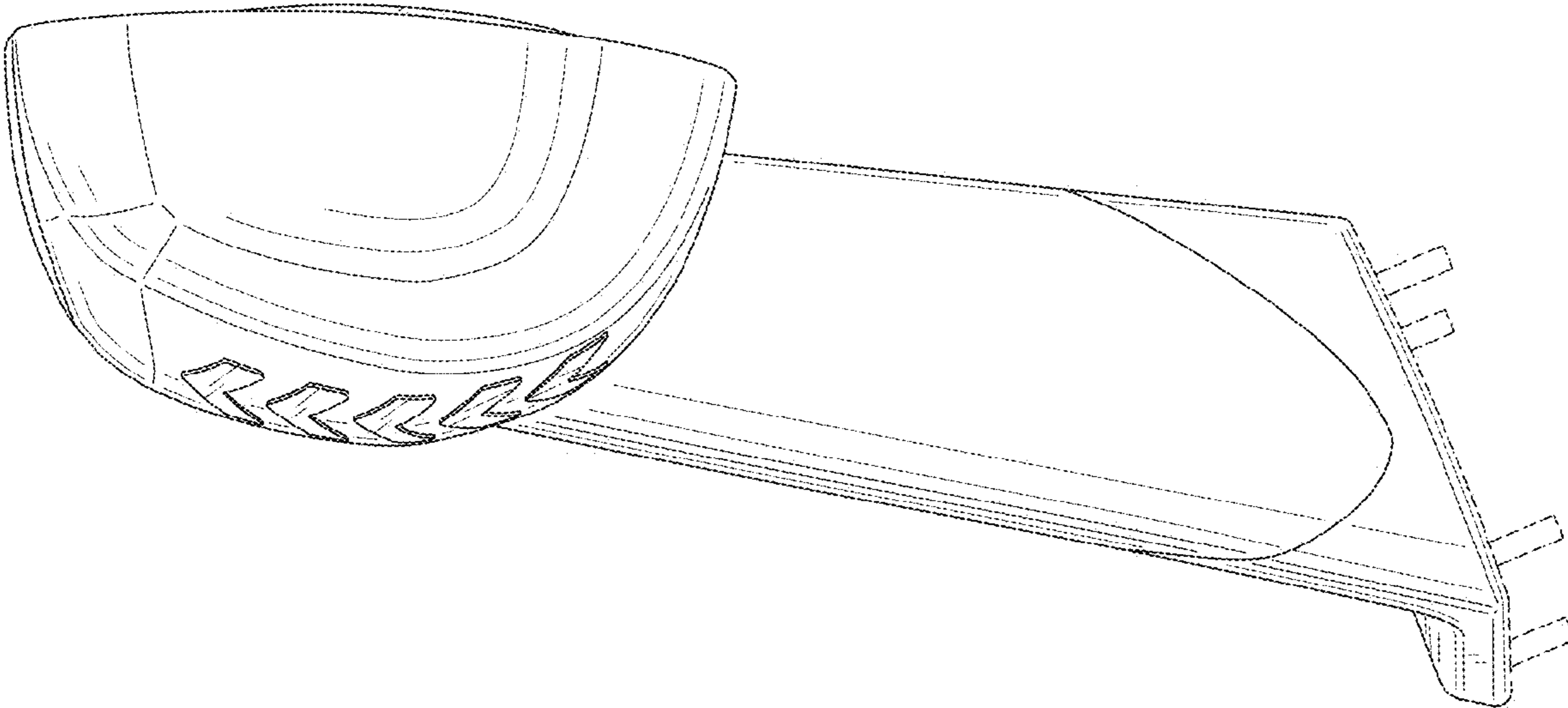


FIG. 6

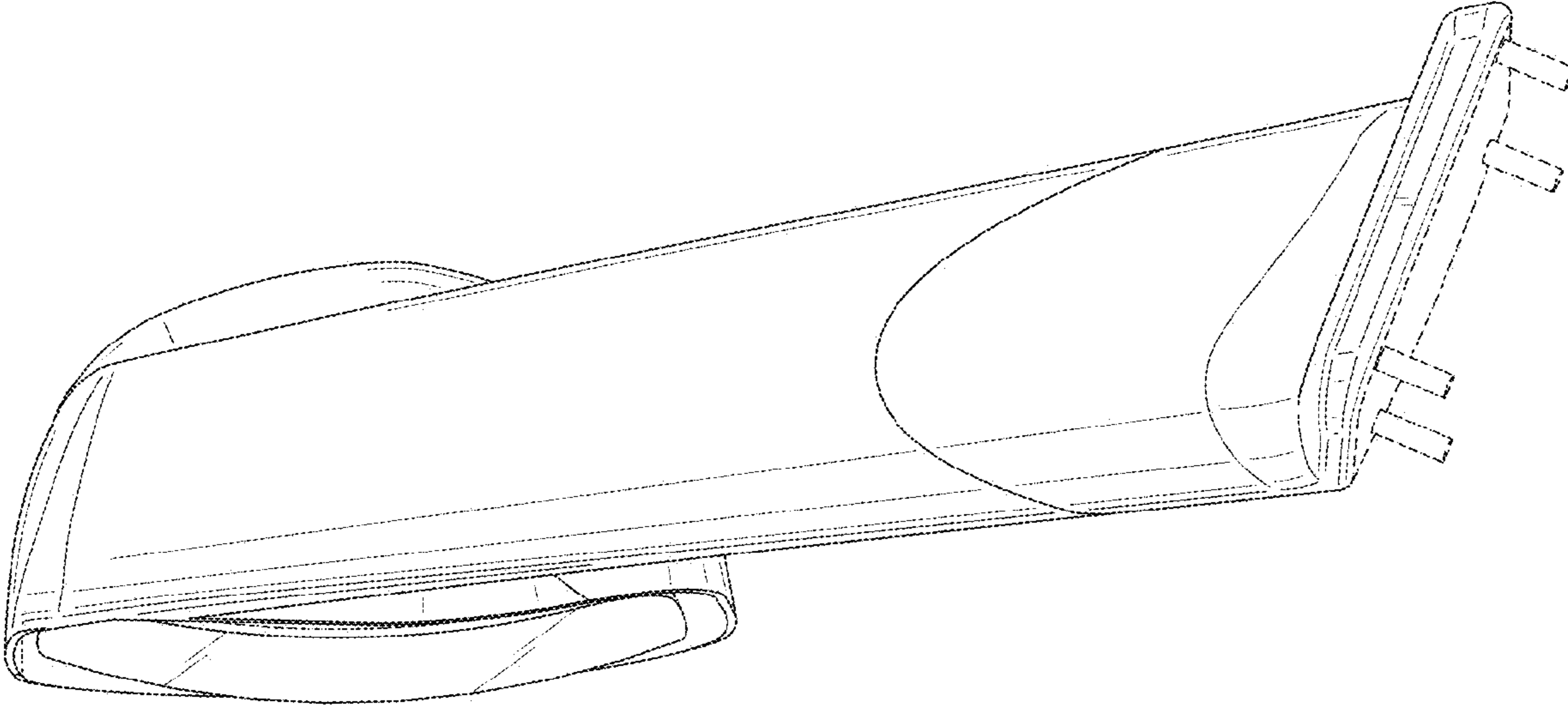


FIG. 7