



US00D930530S

(12) **United States Design Patent** (10) **Patent No.:** **US D930,530 S**  
**Li** (45) **Date of Patent:** **\*\* Sep. 14, 2021**

(54) **VEHICLE FRONT BUMPER**  
(71) Applicant: **SHENZHEN SANGSHEN E-COMMERCE CO., LTD.**, Shenzhen (CN)  
(72) Inventor: **Chenghao Li**, Shenzhen (CN)  
(73) Assignee: **SHENZHEN SANGSHEN E-COMMERCE CO., LTD.**, Shenzhen (CN)

D833,922 S \* 11/2018 DiCanzio ..... D12/163  
D847,051 S \* 4/2019 DiCanzio ..... D12/171  
D864,806 S \* 10/2019 Wood ..... D12/171  
D874,999 S \* 2/2020 Ewing ..... D12/171  
D888,628 S \* 6/2020 Bennett ..... D12/171  
D889,332 S \* 7/2020 Chi ..... D12/171  
D894,803 S \* 9/2020 DiCanzio ..... D12/169  
D908,562 S \* 1/2021 Harriton ..... D12/171  
D918,797 S \* 5/2021 Ruiz ..... D12/169

(Continued)

(\*\*) Term: **15 Years**  
(21) Appl. No.: **29/751,306**  
(22) Filed: **Sep. 21, 2020**  
(51) **LOC (13) Cl.** ..... **12-16**  
(52) **U.S. Cl.**  
USPC ..... **D12/171**  
(58) **Field of Classification Search**  
USPC ..... D12/86, 90-92, 163, 167, 169  
CPC ..... B60R 2019/25; B62D 25/084  
See application file for complete search history.

**OTHER PUBLICATIONS**

“KYX Front Metal Stinger Bumper” KYX., posted date Jun. 13, 2020 [online], [retrieved on Jul. 27, 2021]. Retrieved from the Internet <URL:http://club5racing.com/kyx-front-metal-stinger-bumper-wide-shackle-led-light/> (Year: 2020).\*

(Continued)

*Primary Examiner* — Darlington Ly  
*Assistant Examiner* — Nasim Abdulaziz Ali

(57) **CLAIM**

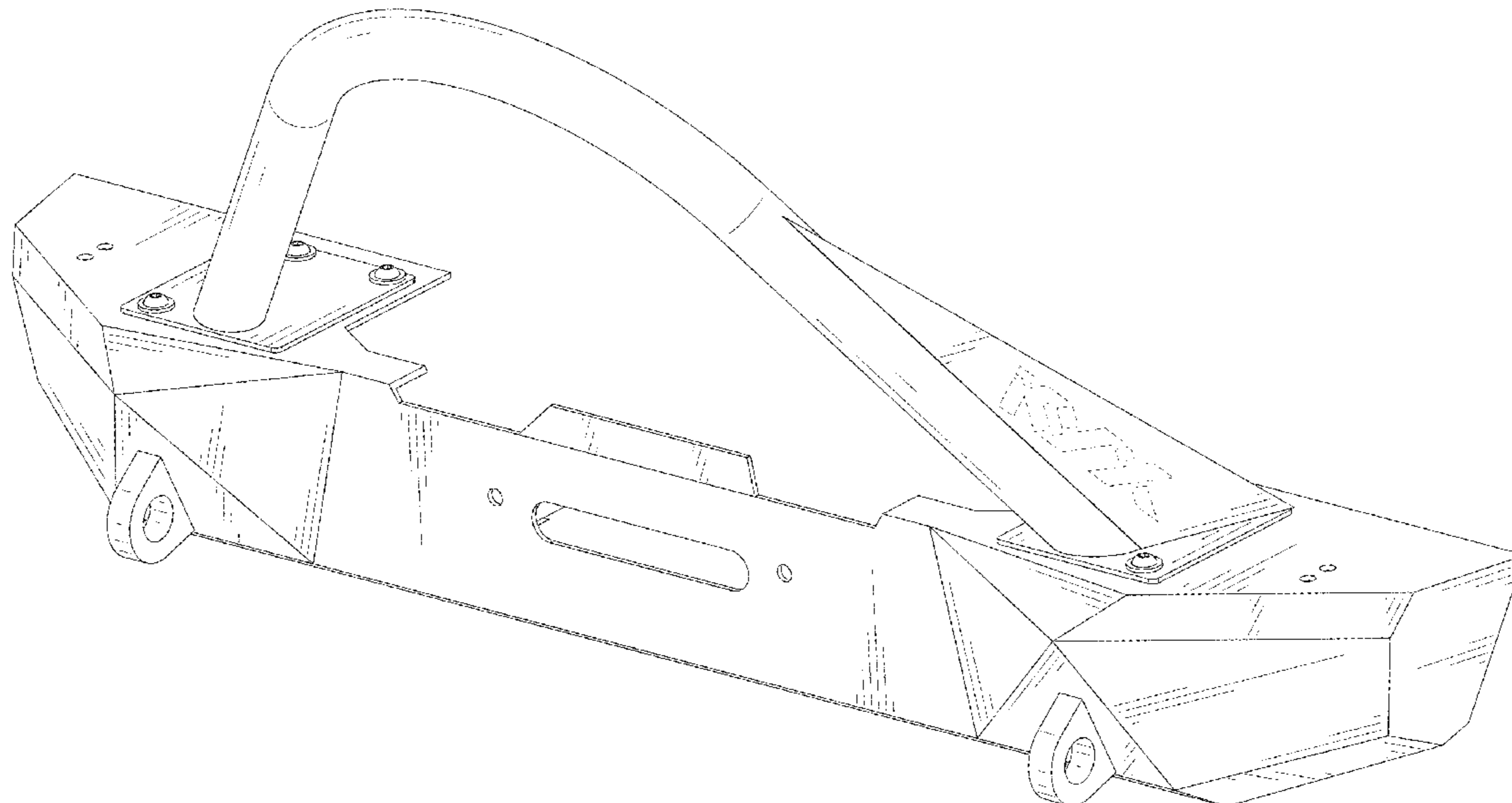
The ornamental design for a vehicle front bumper, as shown and described.

**DESCRIPTION**

FIG. 1 is a perspective view of a vehicle front bumper showing my new design;  
FIG. 2 is another perspective view thereof;  
FIG. 3 is a front elevational view thereof;  
FIG. 4 is a rear elevational view thereof;  
FIG. 5 is a left side elevational view thereof;  
FIG. 6 is a right side elevational view thereof;  
FIG. 7 is a top plan view thereof; and,  
FIG. 8 is a bottom plan view thereof.  
The broken lines in the drawings depict portions of the vehicle front bumper that form no part of the claimed design.

**1 Claim, 8 Drawing Sheets**

(56) **References Cited**  
U.S. PATENT DOCUMENTS  
D454,817 S \* 3/2002 McGuiness ..... D12/171  
7,306,270 B2 \* 12/2007 Helms ..... B60R 19/52  
293/106  
D744,387 S \* 12/2015 Harriton ..... D12/169  
D760,133 S \* 6/2016 Bennett ..... D12/171  
D771,537 S \* 11/2016 Hare ..... D12/171  
D775,013 S \* 12/2016 Bennett ..... D12/169  
D775,016 S \* 12/2016 Reynolds ..... D12/171  
D776,582 S \* 1/2017 Bennett ..... D12/169  
D792,818 S \* 7/2017 McMath ..... D12/171  
D793,304 S \* 8/2017 McMath ..... D12/171  
D800,036 S \* 10/2017 Bennett ..... D12/169  
D811,967 S \* 3/2018 Brown ..... D12/171  
D826,115 S \* 8/2018 Chi ..... B60R 19/52  
D12/172



(56)

**References Cited**

U.S. PATENT DOCUMENTS

D919,516 S \* 5/2021 Chi ..... D12/171  
D919,517 S \* 5/2021 Chi ..... D12/171  
D923,111 S \* 6/2021 Wood ..... D21/561

OTHER PUBLICATIONS

“Classic 2.5" Bull Bar Bumper Kit” Move Bumpers., posted date Aug. 30, 2027 [online], [retrieved on Jul. 27, 2021]. Retrieved from the Internet <URL:https://www.movebumpers.com/products/classic-2-5-bull-bar-bumper-kit> (Year: 2017).\*

“KML Rock Crawler Front Bumper” KML Off Road., posted date May 24, 2019 [online], [retrieved on Jul. 27, 2021]. Retrieved from the Internet <URL:https://tinyurl.com/7nm4aupe> (Year: 2019).\*

\* cited by examiner

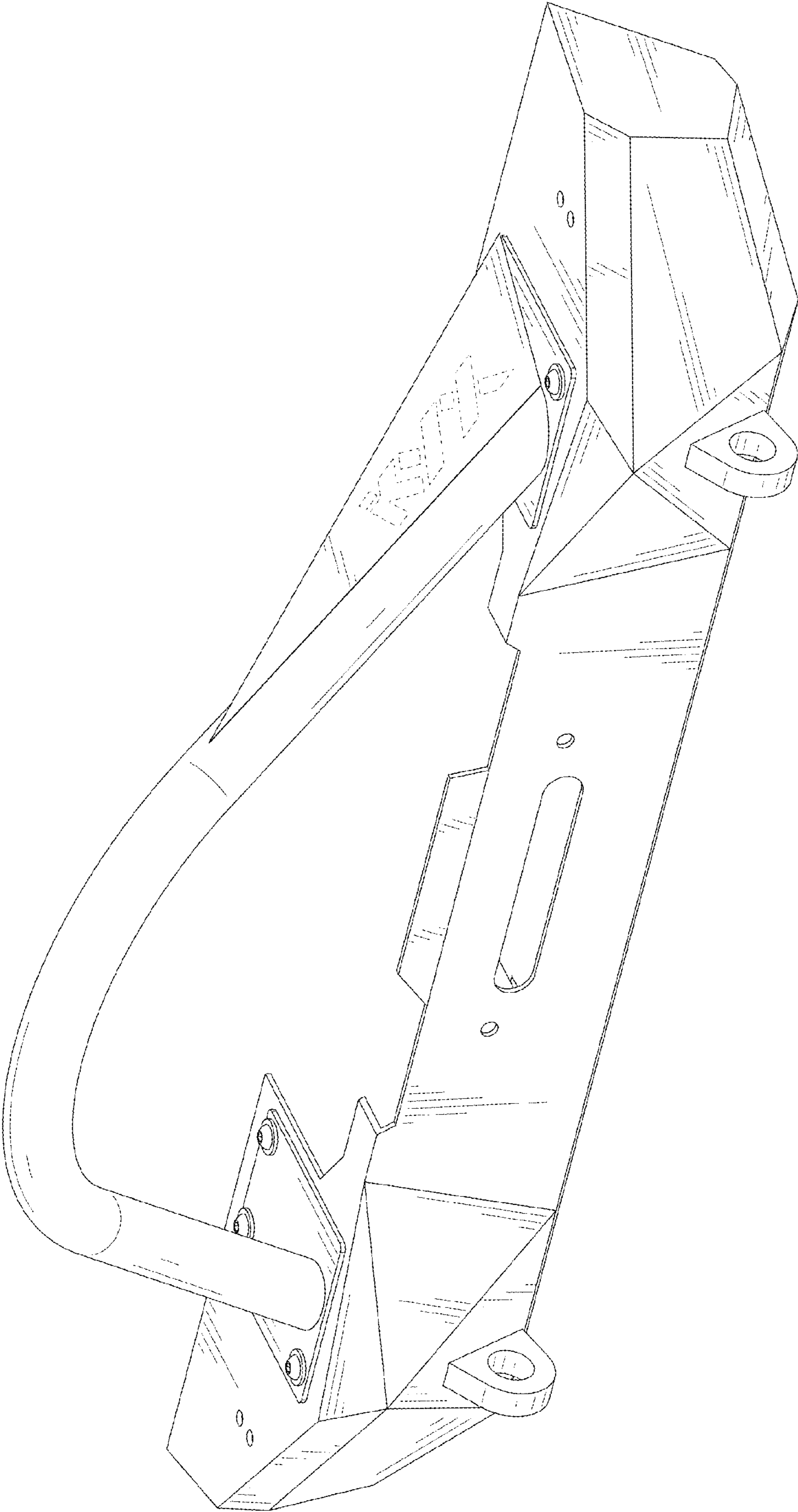


FIG. 1

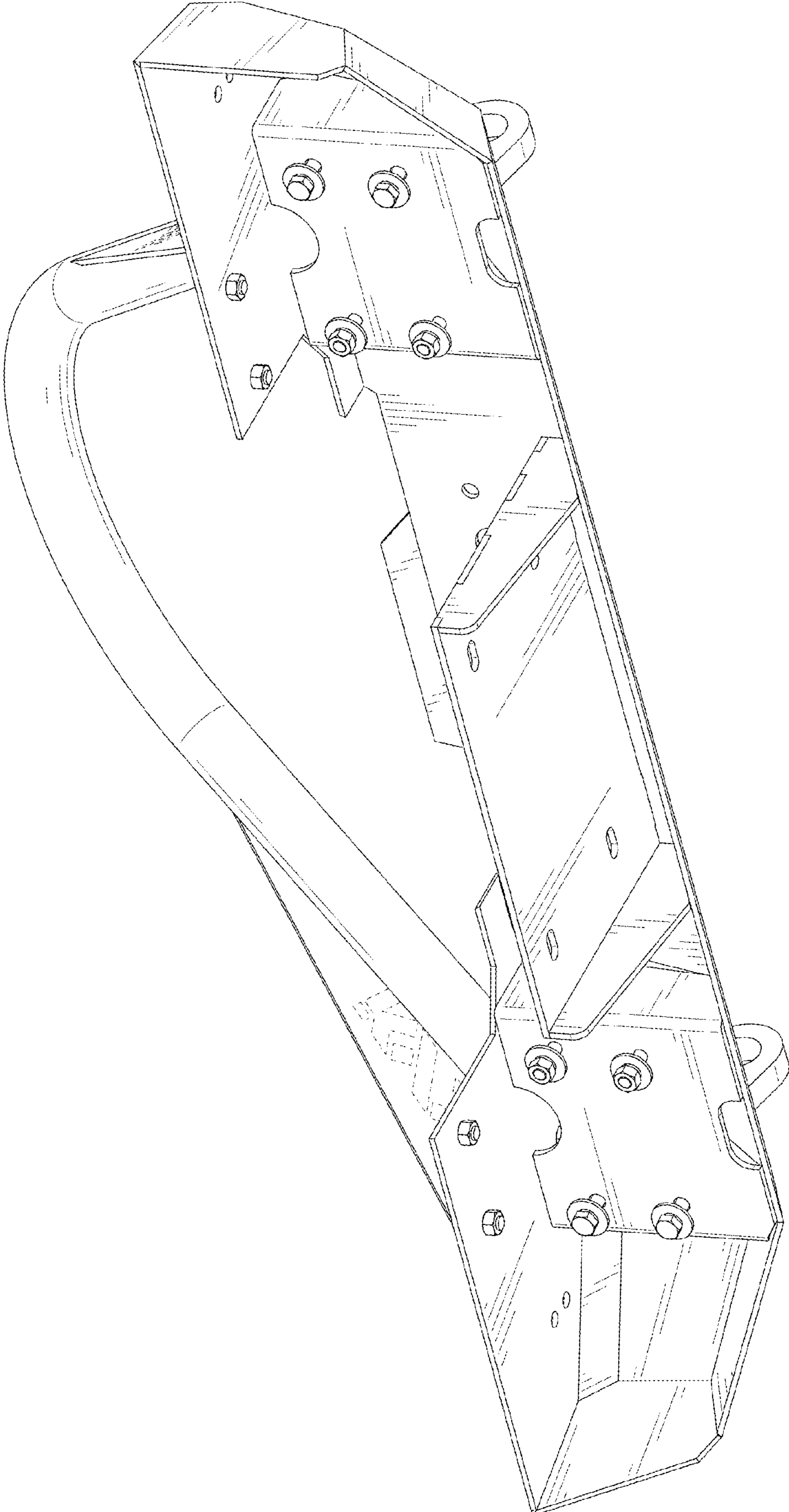


FIG. 2

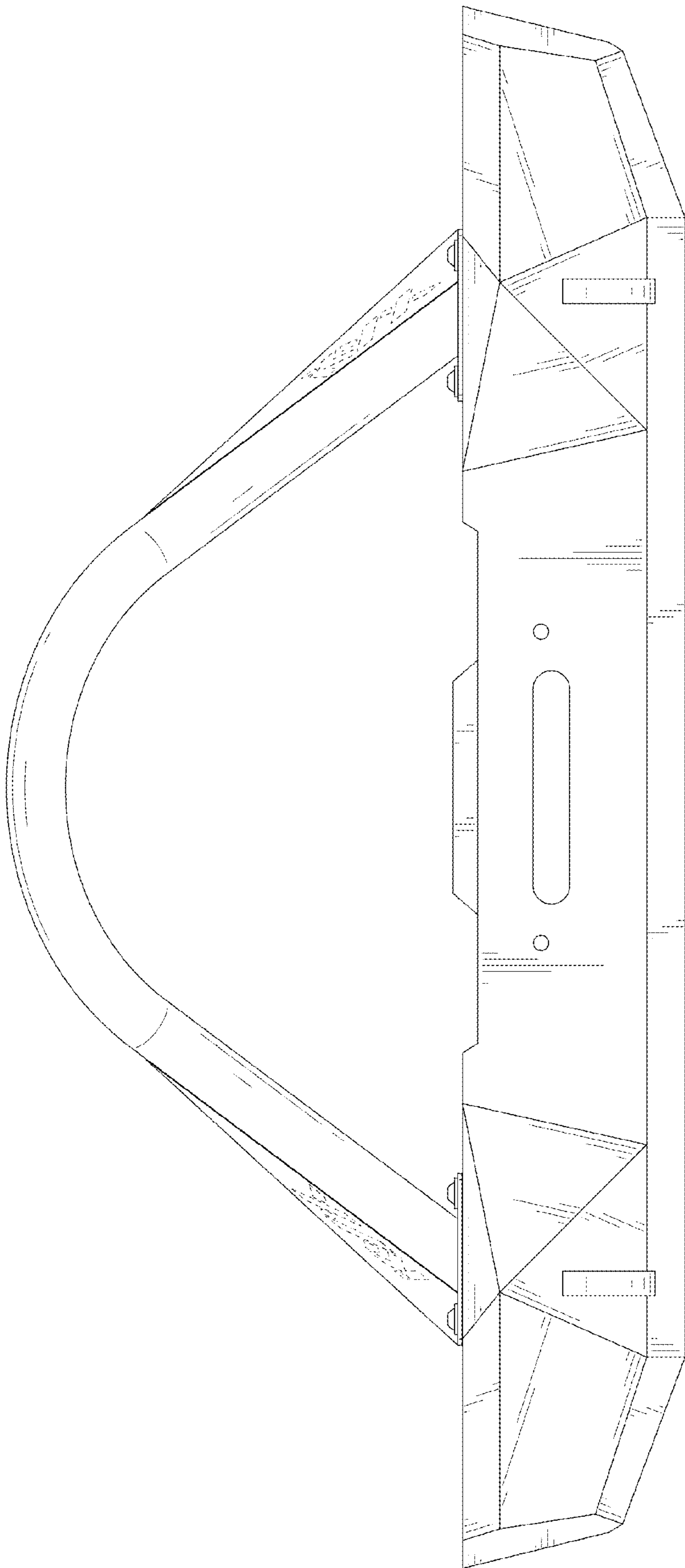


FIG. 3

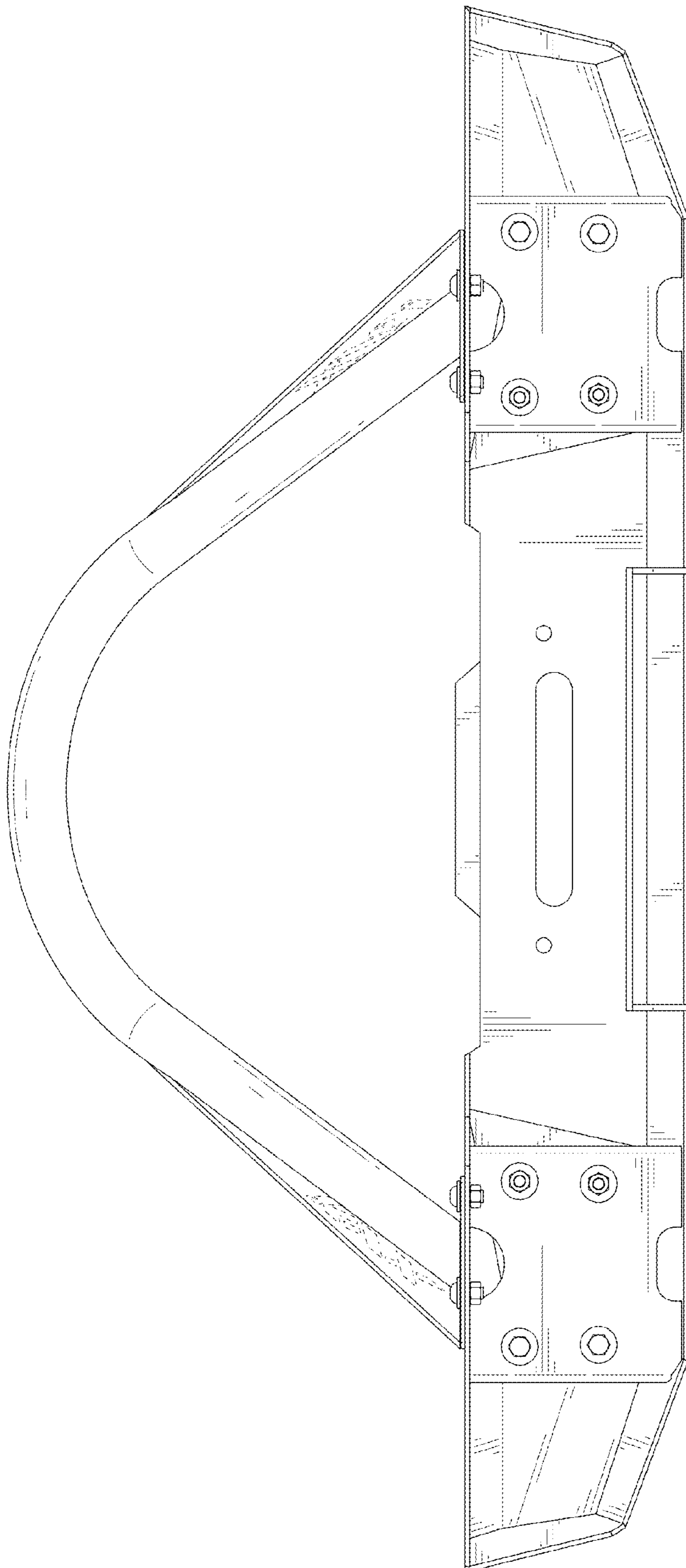


FIG. 4

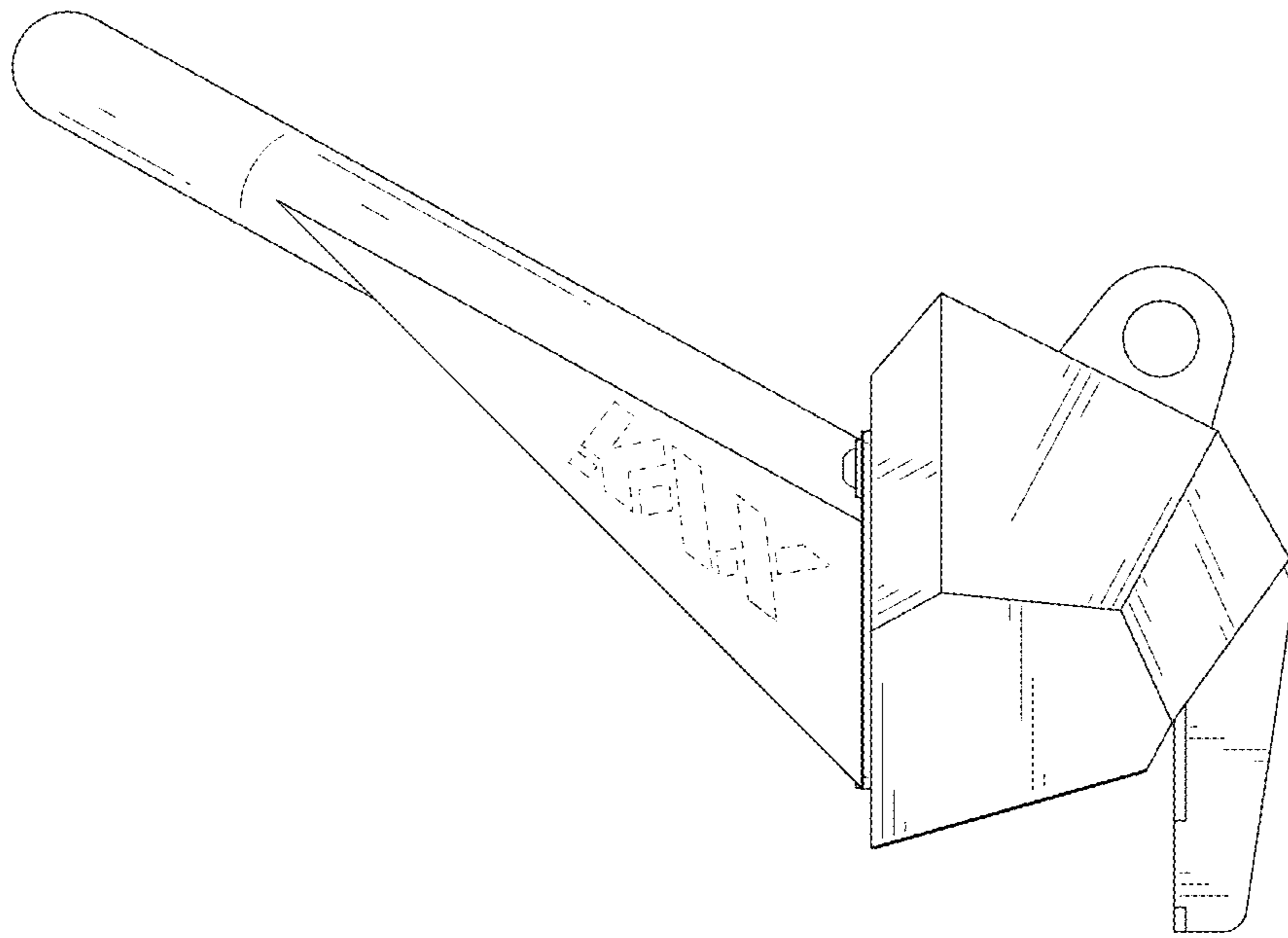


FIG. 5

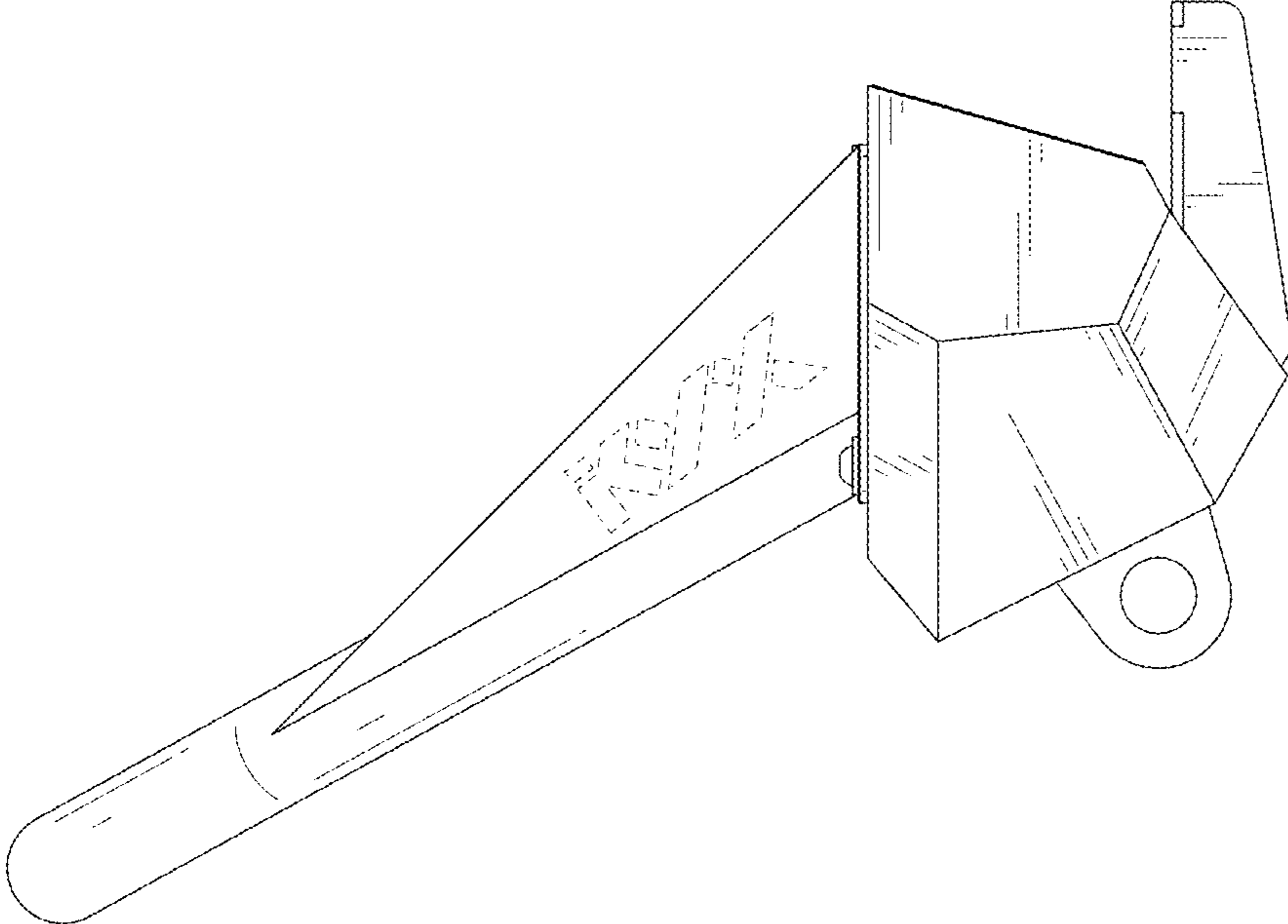


FIG. 6



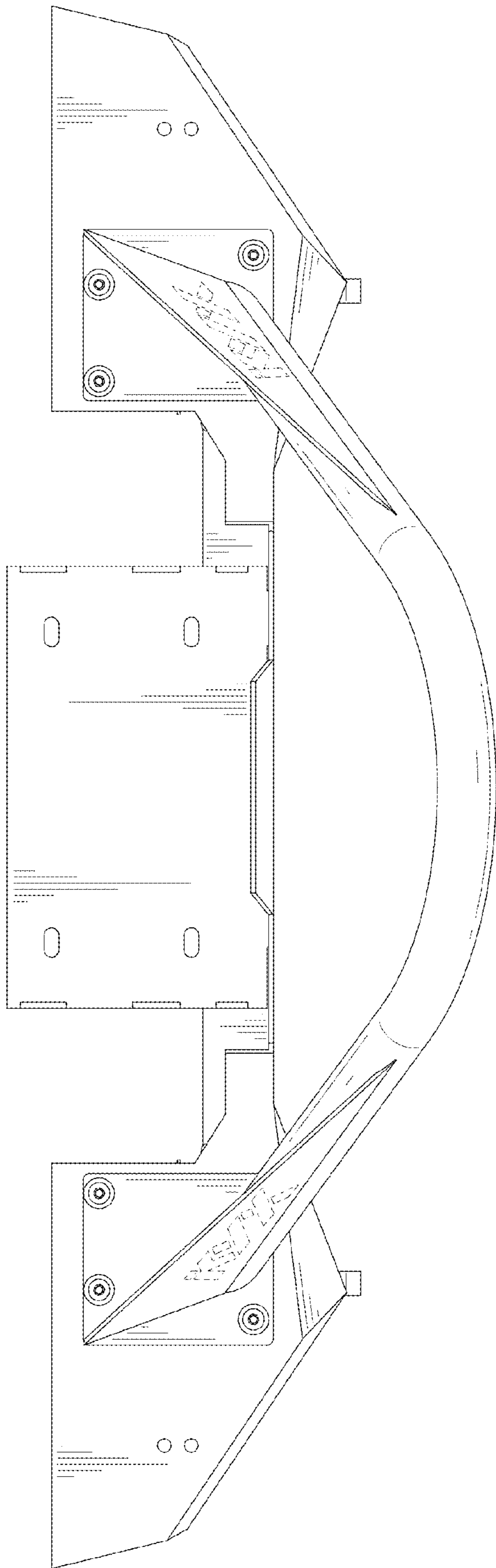


FIG. 7

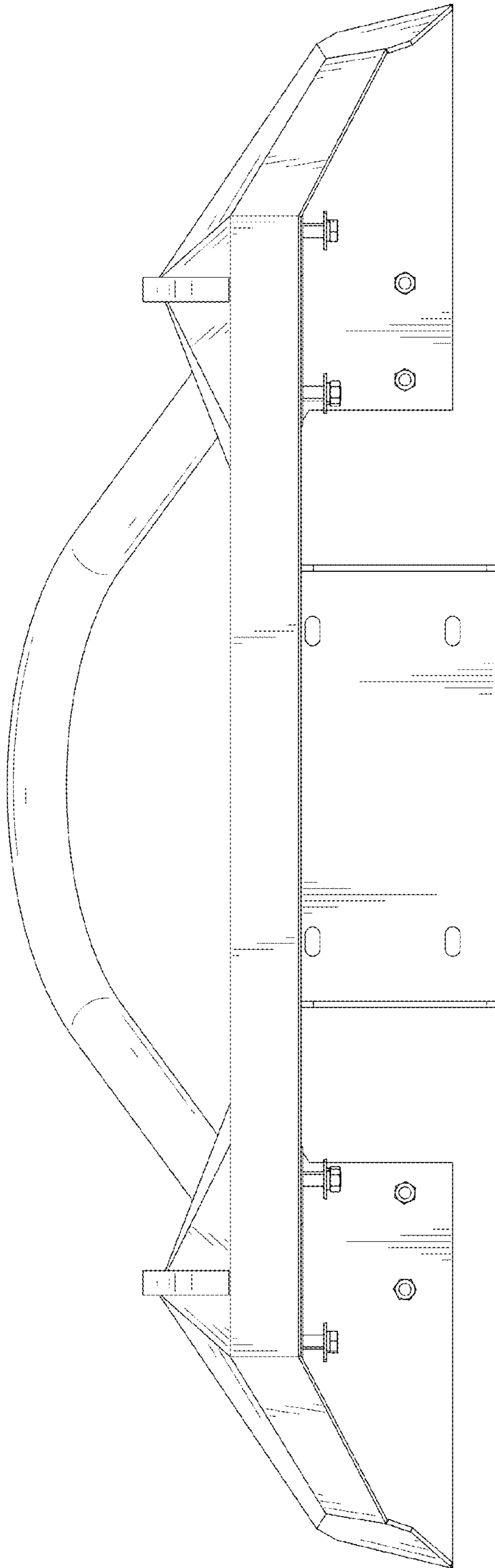


FIG. 8