



US00D930520S

(12) **United States Design Patent** (10) **Patent No.:** **US D930,520 S**
Larson (45) **Date of Patent:** **** Sep. 14, 2021**

(54) **FRONT OF A MOTOR VEHICLE, TOY AND/OR REPLICA**

(71) Applicant: **Dr. Ing. h.c. F. Porsche Aktiengesellschaft, Stuttgart (DE)**

(72) Inventor: **Grant Larson, Illingen (DE)**

(73) Assignee: **Dr. Ing. h.c. F. Porsche Aktiengesellschaft**

(**) Term: **15 Years**

(21) Appl. No.: **29/700,817**

(22) Filed: **Aug. 6, 2019**

(30) **Foreign Application Priority Data**

Feb. 18, 2019 (DE) 402019100198.0

(51) **LOC (13) Cl.** **12-16**

(52) **U.S. Cl.**
USPC **D12/164**

(58) **Field of Classification Search**
 USPC D12/86, 91, 93, 163, 164, 165, 166, 167, D12/169, 171, 172, 173, 174, 175, 176, D12/177, 190, 192, 193, 195, 196, 216, D12/414; D8/300, 302, 305, 307, 315
 CPC H01H 9/02; H01H 9/06; H01H 2009/066; H04W 4/10; B64C 13/24; B64C 27/14; B64C 27/08; B64C 37/00; B64D 47/00; F16M 13/00; F16M 13/02; F16M 13/022; B60R 9/06; B60R 19/02; B60R 19/04; B60R 19/18; B60R 19/44; B60R 19/48; B62D 35/02; B62D 39/00; B62D 65/16; B62D 21/12; B62D 35/00; B29C 45/16; B60F 5/02; E05B 81/56; E05B 81/80; E05B 65/00; E05B 65/06; E05B 65/10; E05B 65/12; E05B 79/06; B60J 5/04

See application file for complete search history.

(56) **References Cited**

U.S. PATENT DOCUMENTS

D422,252 S *	4/2000	Sacco	D12/173
6,293,362 B1 *	9/2001	Sasaki	E05B 77/08
			180/274
D495,631 S *	9/2004	Metros	D12/173
D496,611 S *	9/2004	Kneefel	D12/173
D497,860 S *	11/2004	Hoelzel	D12/196
D566,022 S *	4/2008	Johnson	D12/190
D587,980 S *	3/2009	Rosenbohm	D8/300
D597,011 S *	7/2009	Habib	D12/196
D598,355 S *	8/2009	Sato	D12/196

(Continued)

OTHER PUBLICATIONS

Capparella, Joey. "Porsche Brings Back Iconic 935 Name for a New Race Car." Sep. 27, 2018. Car and Driver, <https://www.caranddriver.com/news/a23496085/porsche-935-race-car-rennsport/> (Year: 2018).*

(Continued)

Primary Examiner — Manpreet S Matharu

Assistant Examiner — Suzanne E Tisdell

(74) *Attorney, Agent, or Firm* — RatnerPrestia

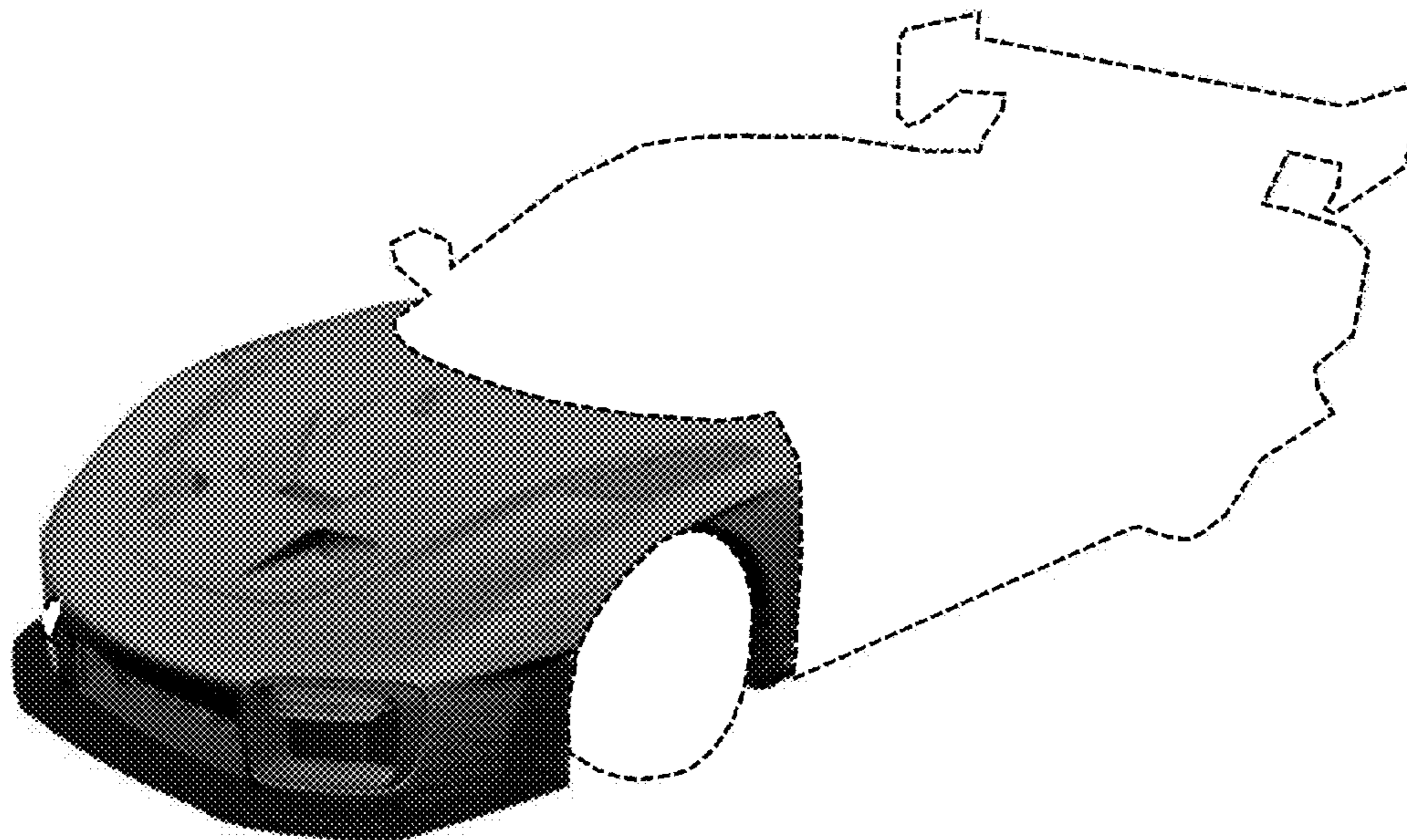
(57) **CLAIM**

The ornamental design for a front of a motor vehicle, toy and/or replica as shown and described.

DESCRIPTION

FIG. 1 is a front right perspective view of a front of a motor vehicle, toy and/or replica;
 FIG. 2 is a front elevation view thereof;
 FIG. 3 is an elevation view from the right side thereof;
 FIG. 4 is an elevation view from the left side thereof; and,
 FIG. 5 is a top plan view thereof.
 The broken line showing of the front of a motor vehicle, toy and/or replica forms no part of the claimed design.

1 Claim, 5 Drawing Sheets



(56)

References Cited

U.S. PATENT DOCUMENTS

D600,181 S * 9/2009 Larson D12/181
 D600,183 S * 9/2009 Habib D12/190
 D600,185 S * 9/2009 Habib D12/190
 D607,390 S * 1/2010 Krauss D12/190
 D631,807 S * 2/2011 Clottu D12/190
 D644,584 S * 9/2011 Vardis D12/196
 D659,059 S * 5/2012 Elmitt D12/190
 D663,240 S 7/2012 Scheinhütte
 D669,001 S 10/2012 Varga
 D684,896 S 6/2013 Scheinhütte
 D701,146 S 3/2014 Varga
 D704,099 S 5/2014 Varga
 D705,131 S 5/2014 Larson
 D718,686 S * 12/2014 Hammoud D12/173
 D731,929 S 6/2015 Schramm
 D733,614 S 7/2015 Scheinhütte
 D753,023 S 4/2016 Villevoye et al.
 D763,152 S * 8/2016 Frascella D12/190
 D774,421 S 12/2016 Larson
 9,517,803 B2 * 12/2016 Handzel, Jr. B62D 35/007
 D777,620 S * 1/2017 Pevovar D12/173
 D779,399 S * 2/2017 Bucher D12/173
 D787,387 S * 5/2017 Curic D12/173
 D787,389 S * 5/2017 Wolff D12/173
 D790,415 S * 6/2017 Woolley D12/173
 9,714,058 B2 * 7/2017 Fahland B62D 35/005
 D796,404 S * 9/2017 Nurnberger D12/196
 D797,607 S 9/2017 Preuninger et al.
 D805,436 S 12/2017 Yamashita et al.
 D808,310 S * 1/2018 Zavatski D12/173
 D808,311 S * 1/2018 Piscitelli D12/173
 D808,862 S 1/2018 Ujhasi
 D811,300 S * 2/2018 Yamashita D12/181
 D813,121 S * 3/2018 Swanseger D12/173
 D823,727 S 7/2018 Hauser
 D824,288 S 7/2018 Hauser
 D826,784 S 8/2018 Hauser
 D833,331 S 11/2018 Yamashita
 10,118,539 B2 * 11/2018 Erb B60Q 1/34
 D835,730 S 12/2018 Chung et al.
 D839,786 S 2/2019 Baum et al.
 D842,759 S 3/2019 Baum et al.
 D867,241 S * 11/2019 Schmolz D12/181
 D870,005 S * 12/2019 Yamashita D12/181
 D875,020 S * 2/2020 Donfrancesco D12/223
 10,604,198 B2 * 3/2020 Escoffier B62D 37/02

D881,091 S * 4/2020 Smith D12/181
 D883,154 S * 5/2020 Scheinhutte D12/181
 D887,925 S * 6/2020 Metros D12/181
 D897,249 S * 9/2020 Baum D12/181
 D897,250 S * 9/2020 Larson D12/181
 D897,251 S * 9/2020 Stopka D12/181
 D898,639 S * 10/2020 Baum D12/181
 D901,346 S * 11/2020 Burki D12/181
 D906,912 S * 1/2021 Anscheidt D12/181
 D907,547 S * 1/2021 Buck D12/181
 2002/0033294 A1 * 3/2002 Ishizaki B60R 21/0136
 180/274
 2005/0211484 A1 * 9/2005 Ellerman B62D 25/16
 180/69.2
 2007/0102219 A1 * 5/2007 Park B60R 21/38
 180/274
 2008/0185871 A1 * 8/2008 Ishiyama B60R 21/34
 296/187.04
 2013/0270870 A1 * 10/2013 O'Brien B62D 25/10
 296/193.11
 2017/0232926 A1 * 8/2017 Barbat B60R 21/38
 180/274
 2017/0355400 A1 * 12/2017 Weston B62D 25/12

OTHER PUBLICATIONS

Silvestro, Brian and Chris Perkins. "Porsche Just Brought Back the 935 Moby Dick With This GT2 RS-Based Monster." Sep. 27, 2018. Road and Track, <https://www.roadandtrack.com/new-cars/future-cars/a23496316/new-porsche-935-moby-dick-rennsport/> (Year: 2018).*
 Padeanu, Adrian. "Porsche 935 Passenger Seat is a \$10,000 Option." Dec. 6, 2019. Motor 1. <https://www.motor1.com/news/386460/porsche-935-passenger-seat/> (Year: 2019).*
 Design U.S. Appl. No. 29/615,227, by Baum et al., filed Aug. 28, 2017.
 Design U.S. Appl. No. 29/615,611, by Baum et al., filed Aug. 30, 2011.
 Design U.S. Appl. No. 29/646,150, by Yamashita, filed May 2, 2018.
 Design U.S. Appl. No. 29/661,433, by Larson, filed Aug. 28, 2018.
 Design U.S. Appl. No. 29/666,247, by Stopka, filed Oct. 11, 2018.
 Design U.S. Appl. No. 29/666,391, by Baum, filed Oct. 12, 2018.
 Design U.S. Appl. No. 29/666,394, by Baum, filed Oct. 12, 2018.
 Design U.S. Appl. No. 29/671,694, by Larson, filed Nov. 29, 2018.
 Design U.S. Appl. No. 29/700,660, by Scholz, filed Aug. 5, 2019.

* cited by examiner

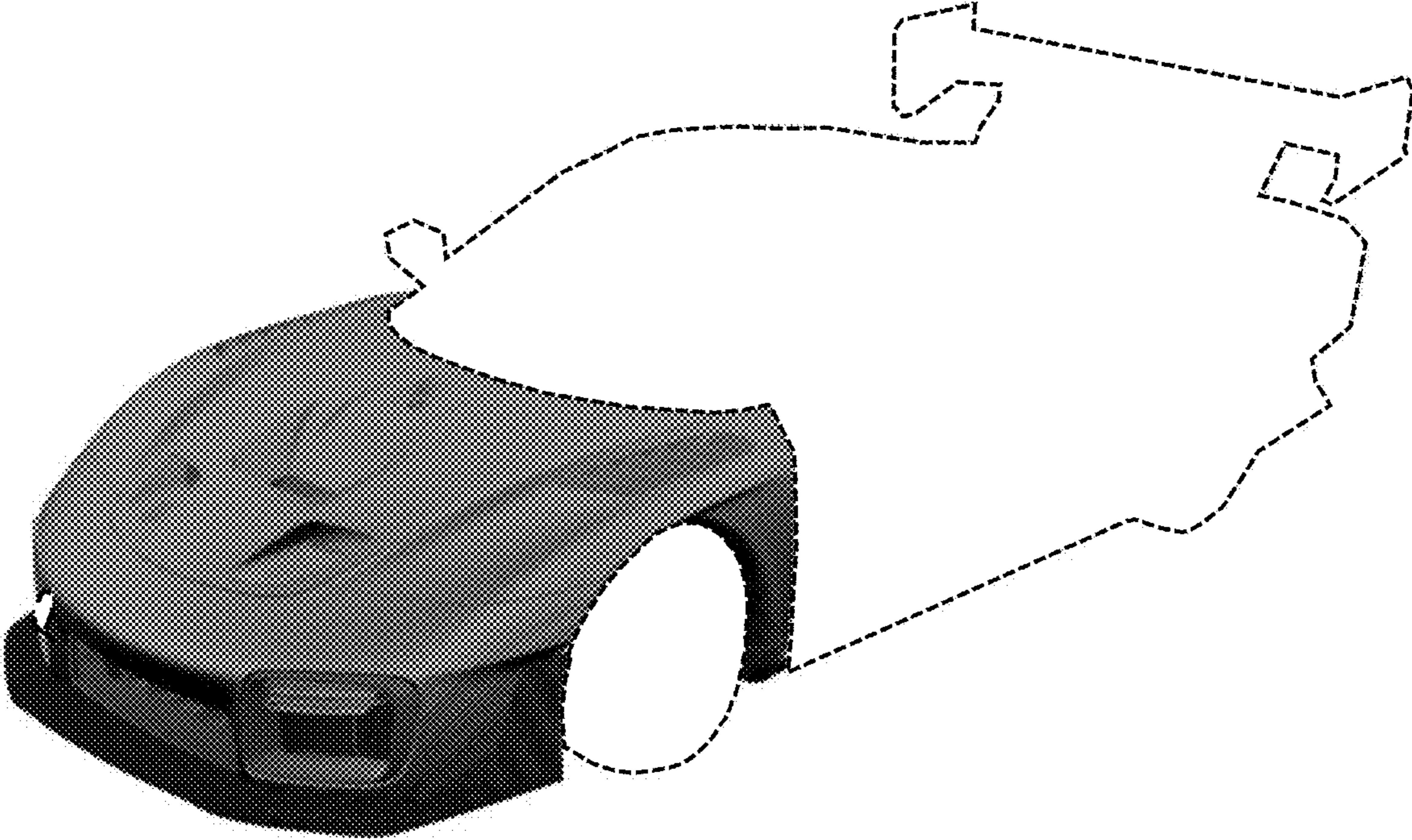


FIG. 1

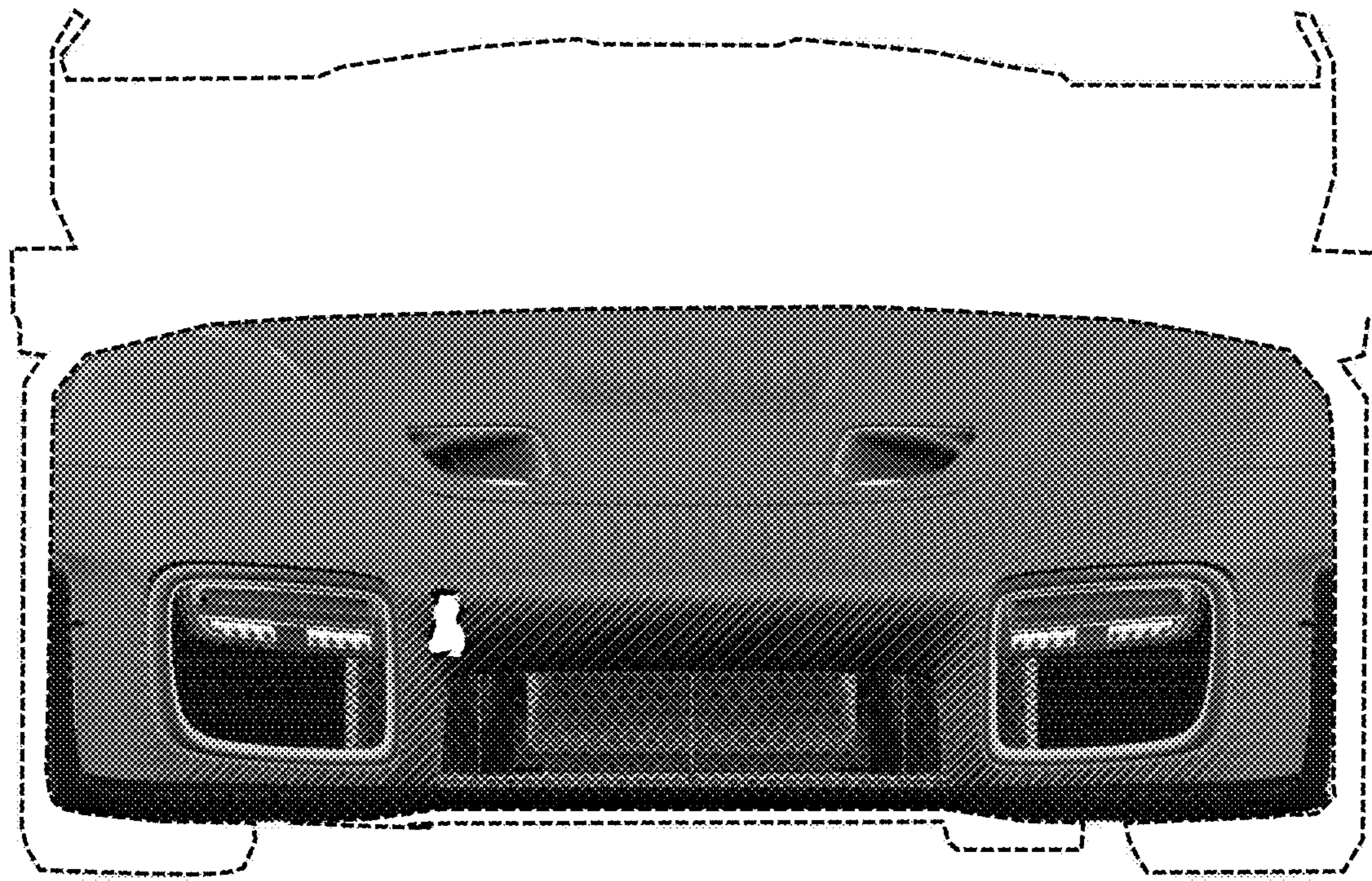


FIG. 2

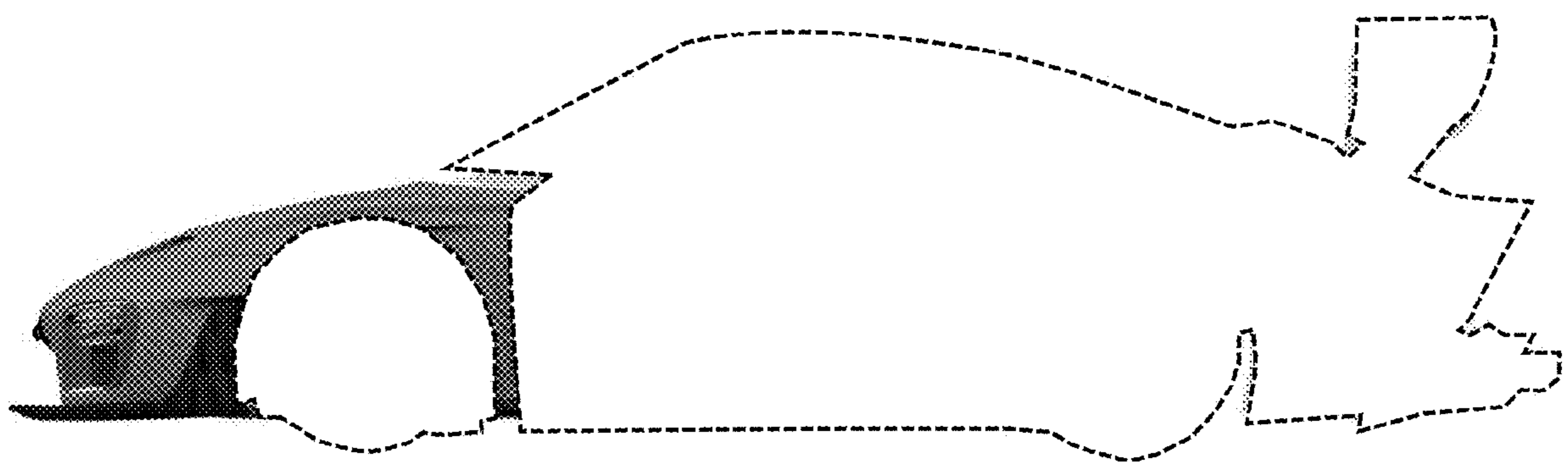


FIG. 3

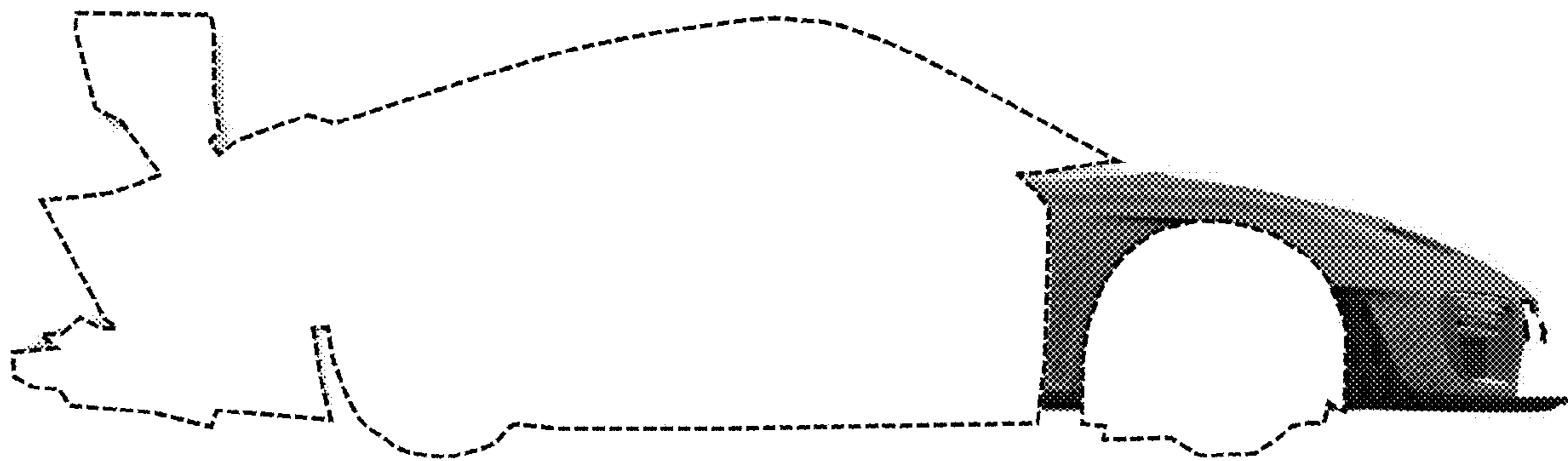


FIG. 4

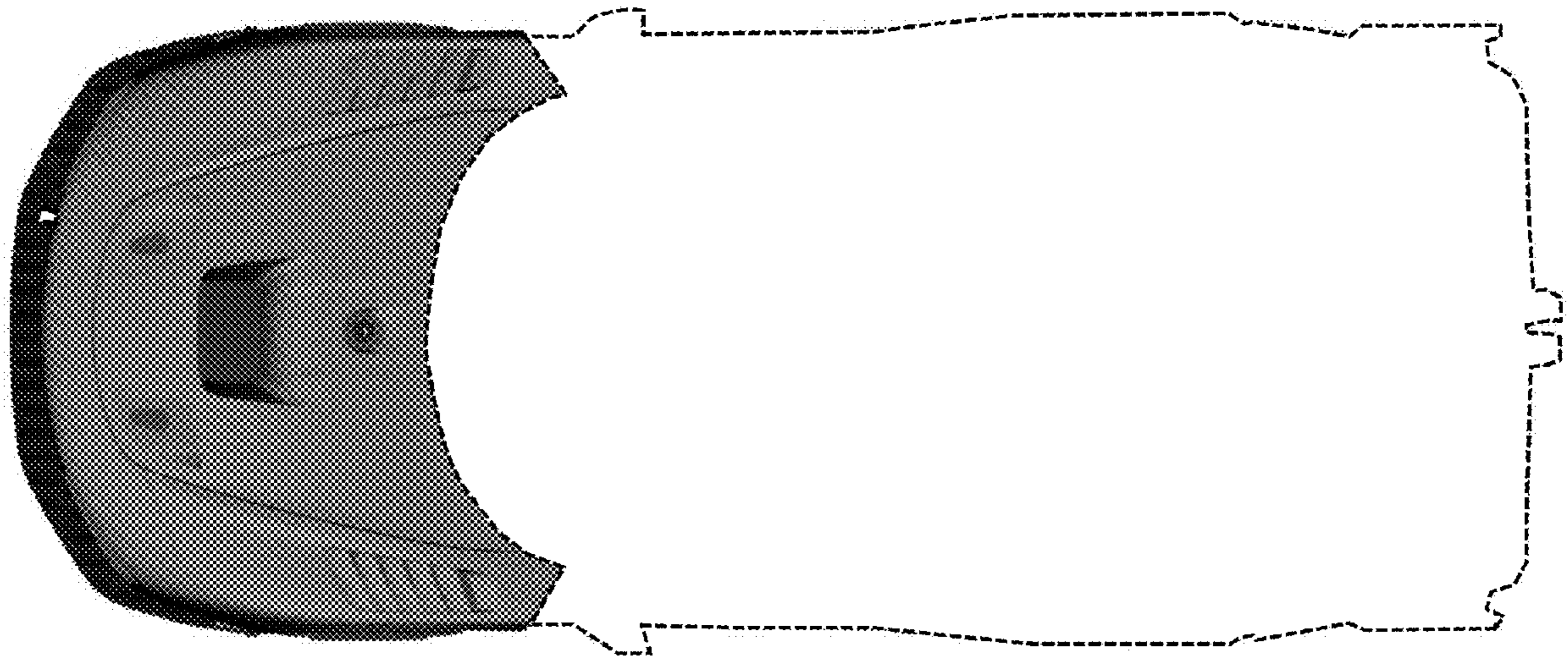


FIG. 5