



US00D930516S

(12) **United States Design Patent** (10) **Patent No.:** **US D930,516 S**
Borkholder (45) **Date of Patent:** **** Sep. 14, 2021**

(54) **DROP HITCH**

(71) Applicant: **Gen-Y Creations, LLC**, Nappanee, IN (US)

(72) Inventor: **Carl J. Borkholder**, Nappanee, IN (US)

(73) Assignee: **Gen-Y Creations, LLC**, Nappanee, IN (US)

(**) Term: **15 Years**

(21) Appl. No.: **29/737,317**

(22) Filed: **Jun. 8, 2020**

(51) **LOC (13) Cl.** **12-16**

(52) **U.S. Cl.**
USPC **D12/162**

(58) **Field of Classification Search**
USPC D12/159, 160, 161, 162
CPC B62D 33/033; B60D 1/36; B60D 1/06;
B60D 1/00; B60D 1/065; B60D 1/60
See application file for complete search history.

(56) **References Cited**

U.S. PATENT DOCUMENTS

D894,800 S *	9/2020	Noel	D12/162
D897,246 S *	9/2020	Giddens	D12/162
D913,861 S *	3/2021	McCall	D12/162
D922,258 S *	6/2021	McCuskey	D12/162
D922,263 S *	6/2021	McCuskey	D12/162

D922,265 S *	6/2021	Han	D12/162
D922,912 S *	6/2021	McCuskey	D12/162
D922,914 S *	6/2021	Works	D12/162
D923,521 S *	6/2021	Works	D12/162
D924,108 S *	7/2021	Works	D12/162

* cited by examiner

Primary Examiner — Katrina A Betton

(74) *Attorney, Agent, or Firm* — Botkin & Hall, LLP

(57) **CLAIM**

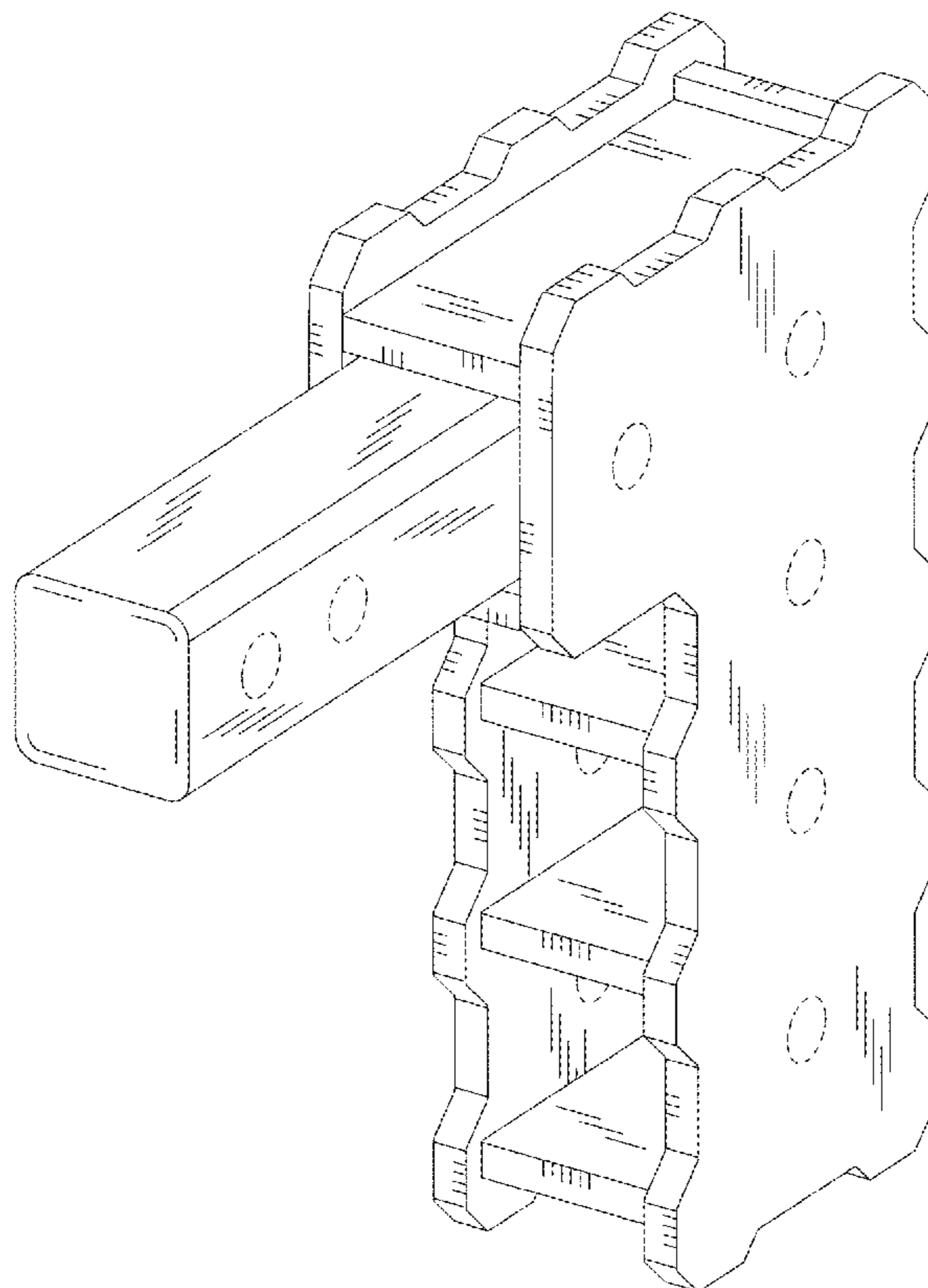
The ornamental design for a drop hitch, as shown and described.

DESCRIPTION

FIG. 1 is a front isometric view of the drop hitch; FIG. 2 is a rear isometric view of the drop hitch of FIG. 1; FIG. 3 is a front view of the drop hitch of FIG. 1; FIG. 4 is a rear view of the drop hitch of FIG. 1; FIG. 5 is a right view of the drop hitch of FIG. 1; FIG. 6 is a left view of the drop hitch of FIG. 1; FIG. 7 is a top view of the drop hitch of FIG. 1; FIG. 8 is a bottom side view of the drop hitch of FIG. 1; and, FIG. 9 is an isometric section view 9-9 of the drop hitch of FIG. 1.

The broken lines depict portions of the drop hitch that form no part of the claimed design, and are for illustrative purposes only.

1 Claim, 7 Drawing Sheets



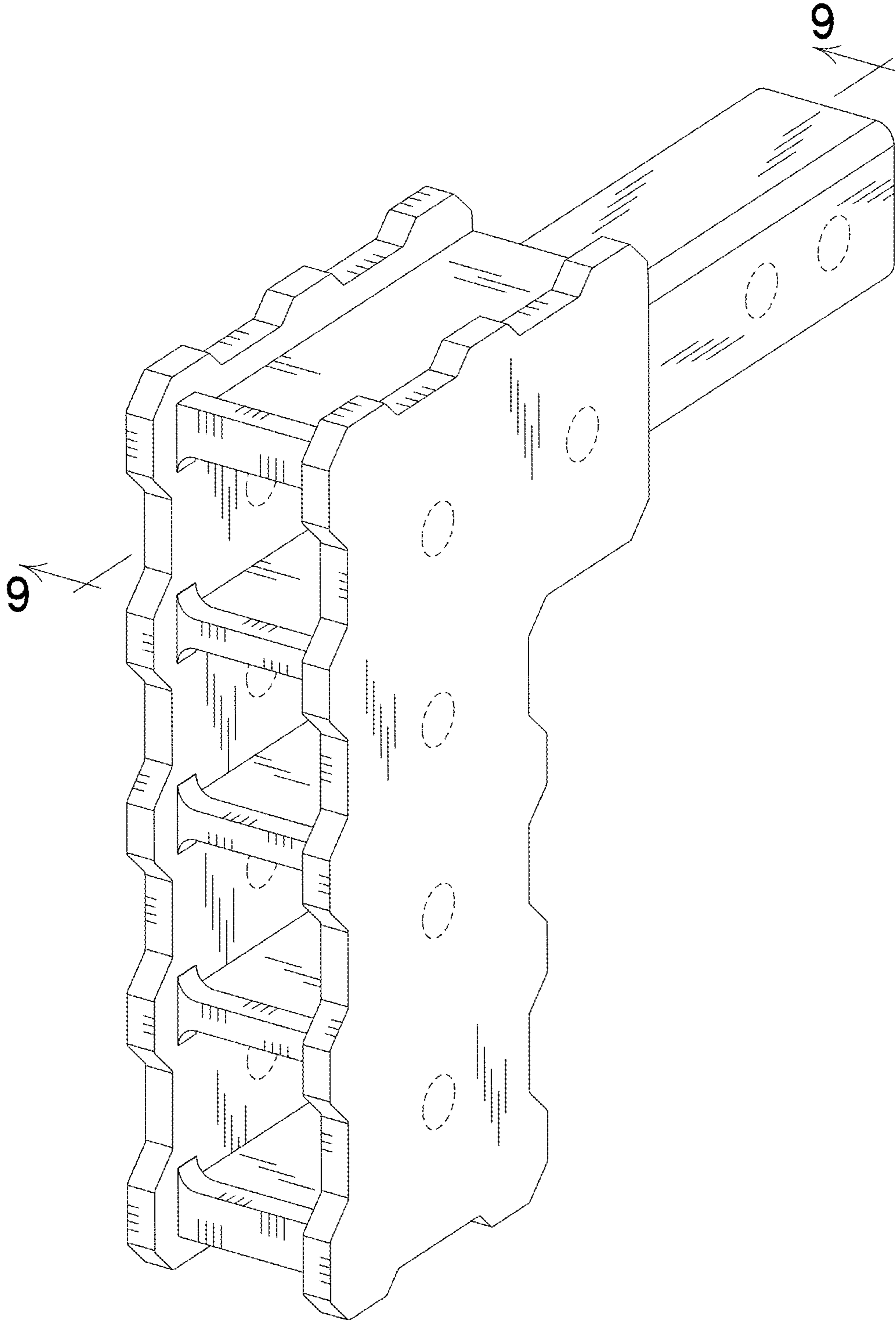


Fig. 1

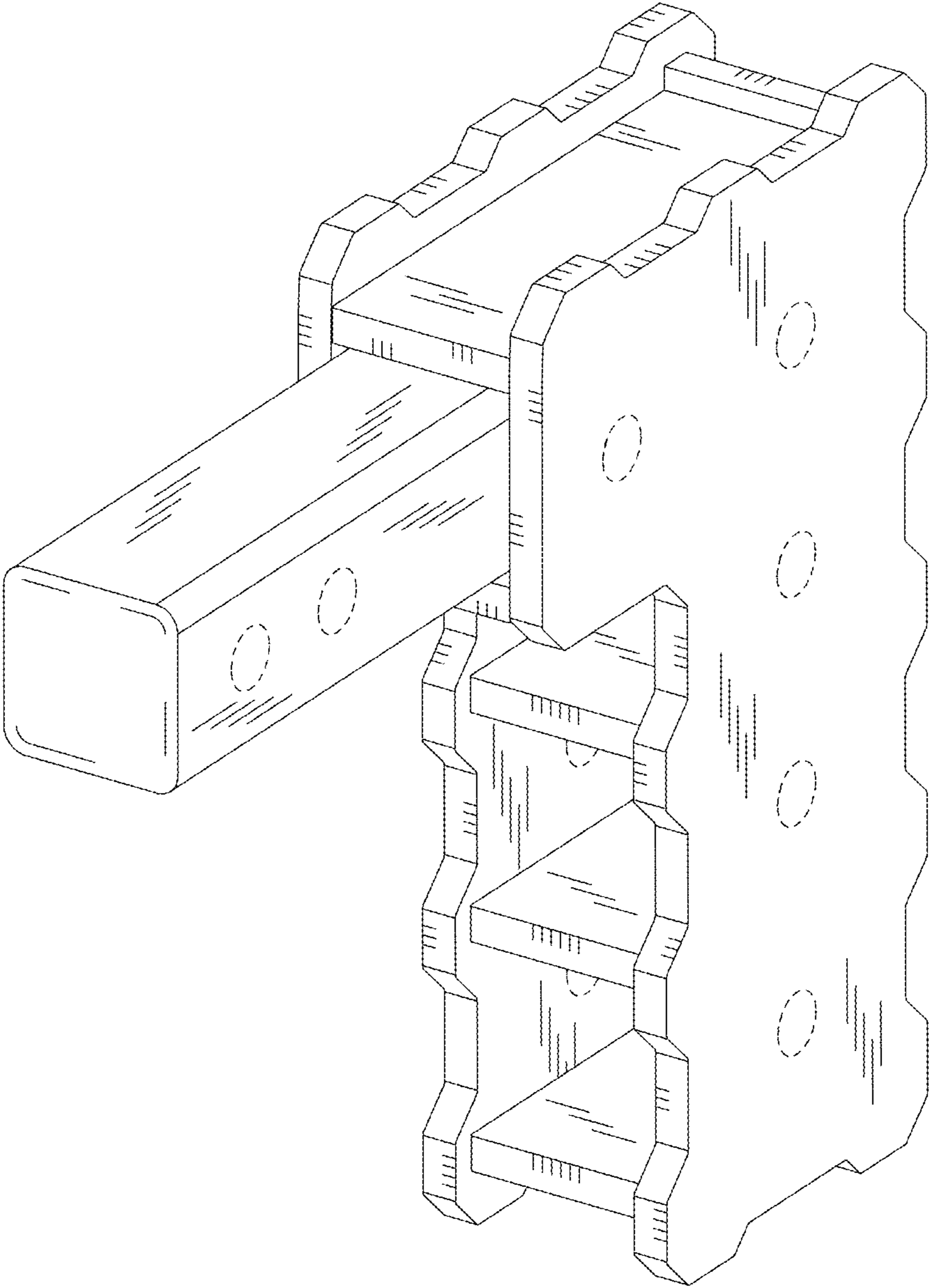


Fig. 2

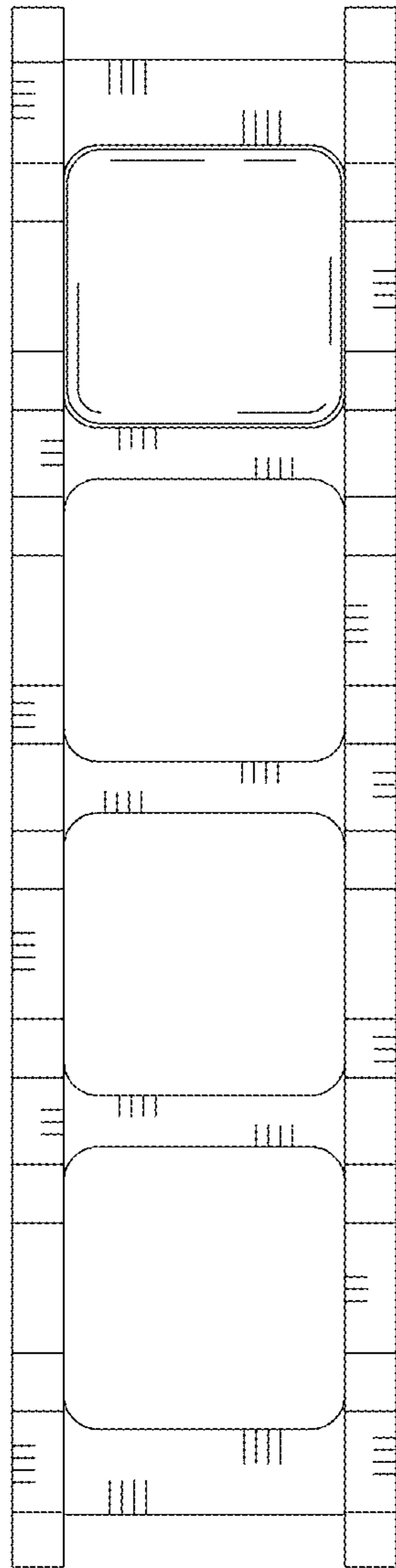


Fig. 3

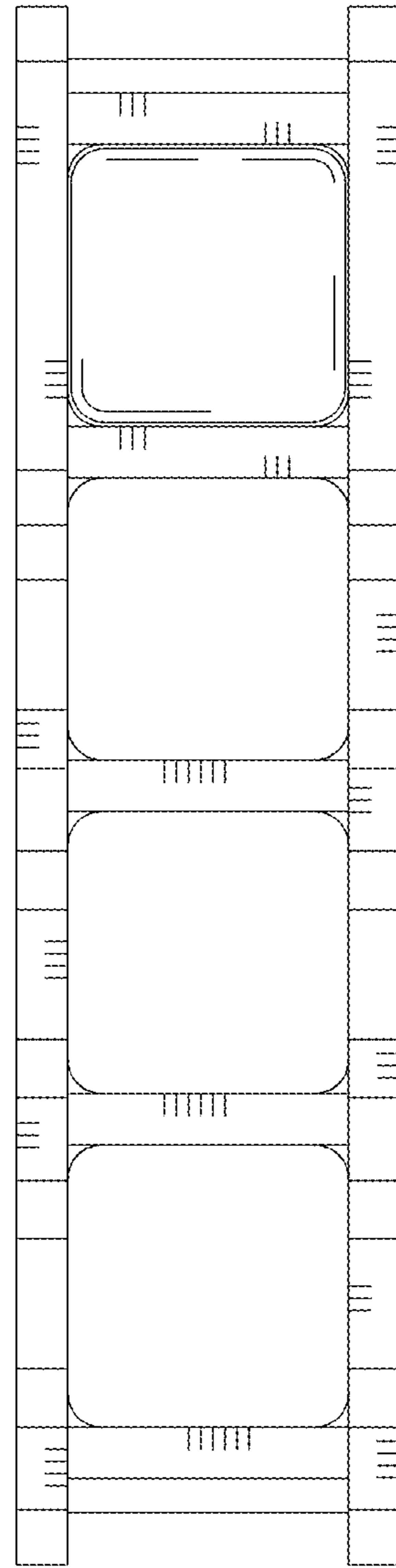


Fig. 4

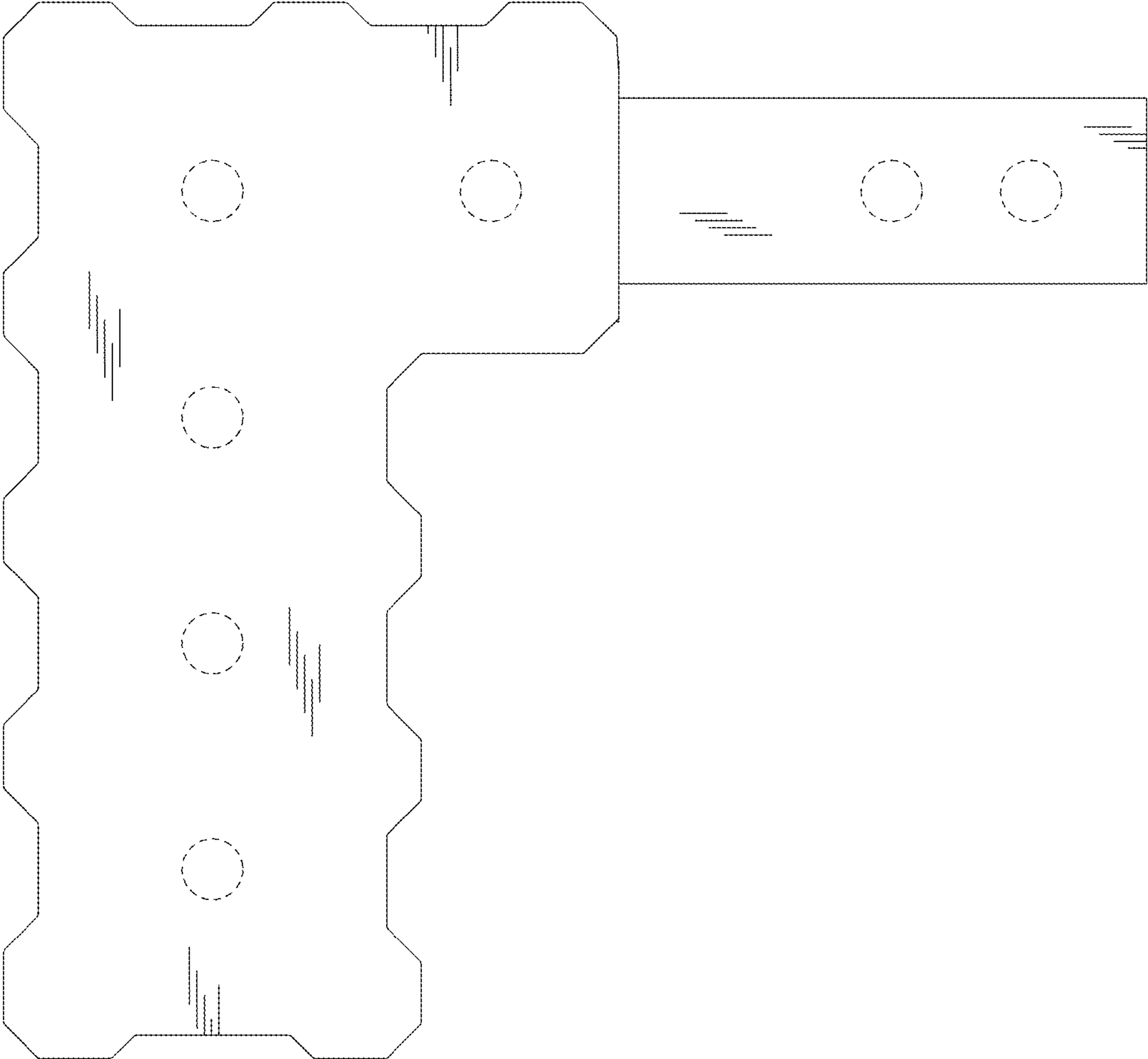


Fig. 5

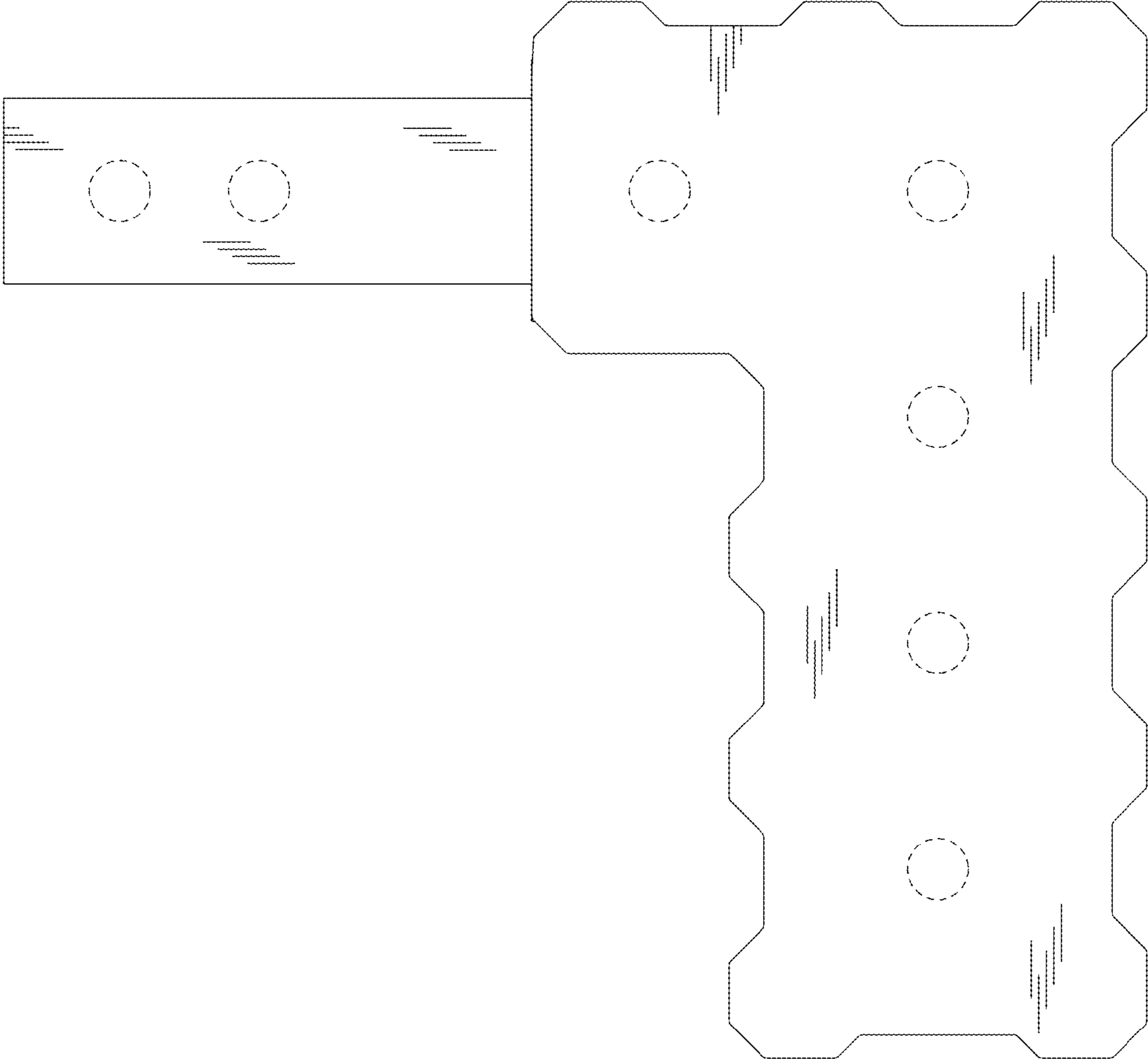


Fig. 6

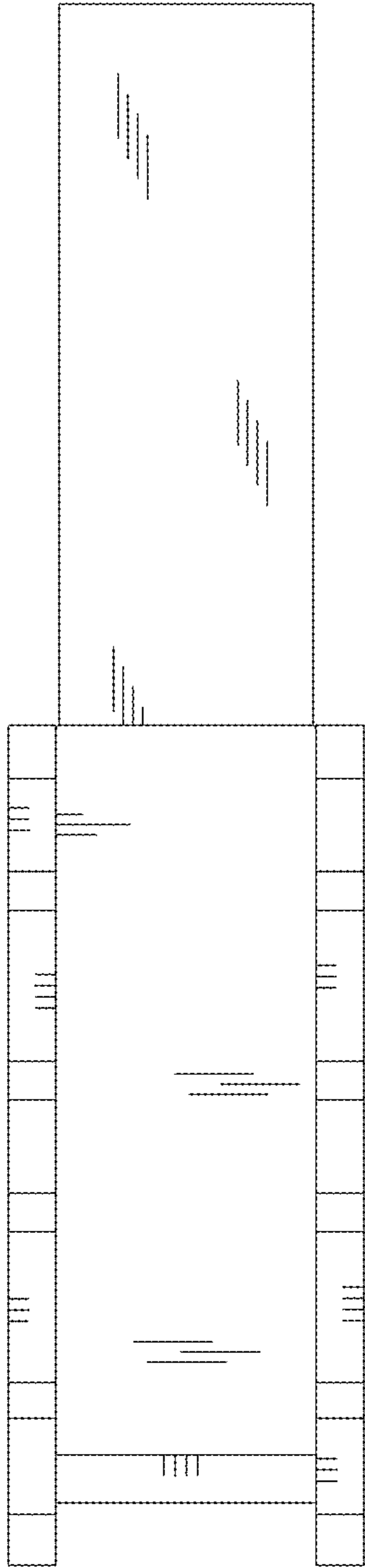


Fig. 7

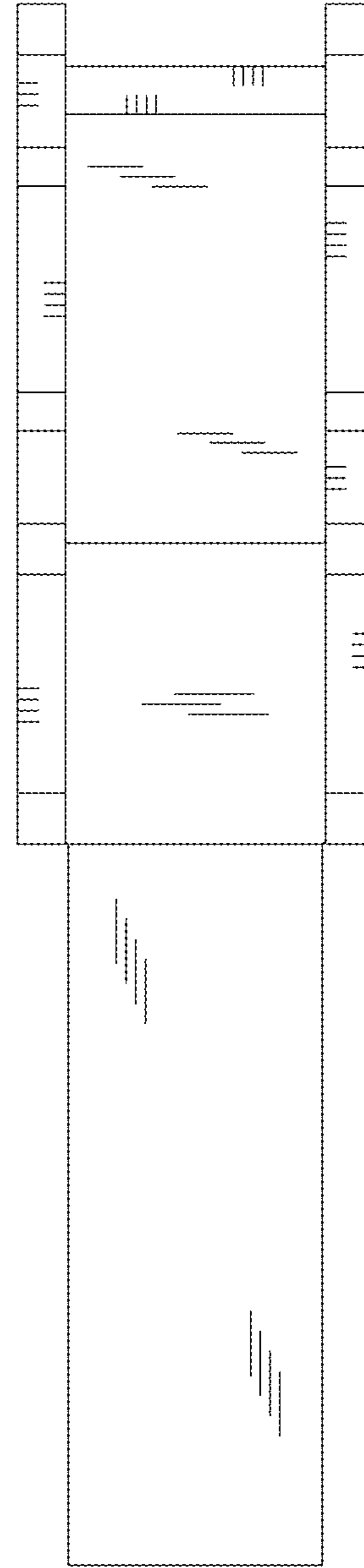


Fig. 8

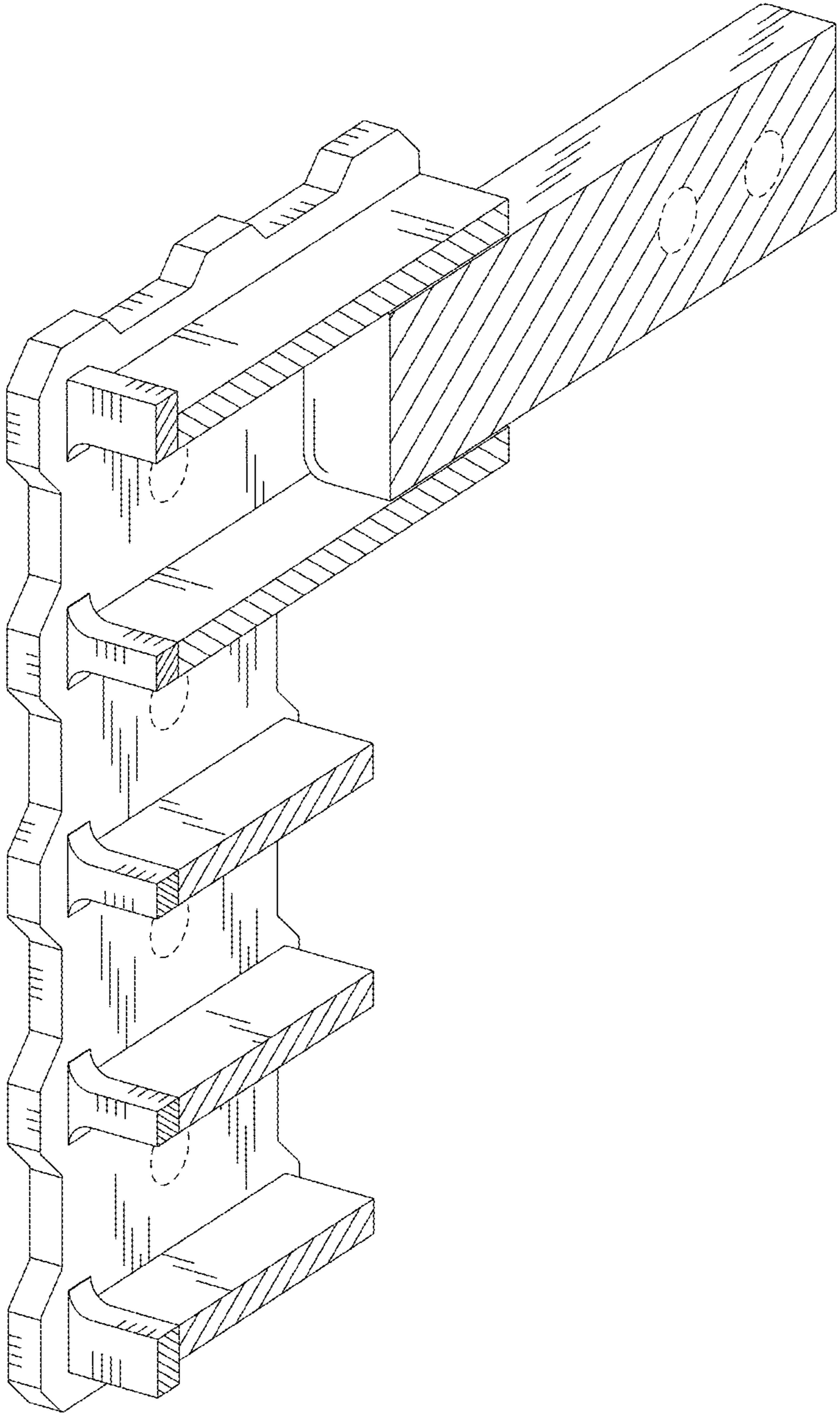


Fig. 9