



US00D930515S

(12) **United States Design Patent**
Craford

(10) **Patent No.:** **US D930,515 S**

(45) **Date of Patent:** **** Sep. 14, 2021**

(54) **ELONGATED UMBRELLA HITCH MOUNT ASSEMBLY FOR A VEHICLE**

(71) Applicant: **Kevin Craford**, San Francisco, CA (US)

(72) Inventor: **Kevin Craford**, San Francisco, CA (US)

(**) Term: **15 Years**

(21) Appl. No.: **29/733,121**

(22) Filed: **Apr. 29, 2020**

(51) **LOC (13) Cl.** **12-16**

(52) **U.S. Cl.**
USPC **D12/162**

(58) **Field of Classification Search**
USPC D12/159–162
CPC . B60D 1/60; B60D 1/065; B60D 1/00; B60D 1/06; B60D 1/36
See application file for complete search history.

(56) **References Cited**

U.S. PATENT DOCUMENTS

D707,593 S *	6/2014	Schmidt	D12/162
9,113,717 B2 *	8/2015	Edwards	A47C 15/004
10,059,407 B1 *	8/2018	Ingalls	B63B 17/02
D838,630 S *	1/2019	Borkholder	D12/162
D847,697 S *	5/2019	McCuskey	D12/162
10,350,971 B1 *	7/2019	Rich	A45B 11/00
D904,236 S *	12/2020	Arrowood	D12/162
11,001,313 B2 *	5/2021	Turner	B60R 9/065
2010/0059093 A1 *	3/2010	Clark	B60R 9/00
				135/16

OTHER PUBLICATIONS

Tailbrella, description and view of Tailbrella tailgate hitch, print from Amazon.com website, copyright 1996-2021, Amazon.com, Inc., 1 page, Jan. 1, 1996.

Maxxhaul 50102, description and view of Maxxhaul hitch mount umbrella holder, print from Amazon.com website, copyright 1996-2021, 1 page, Jan. 1, 1996.

Ergodyne Shax 6193, description and view of Ergodyne Shax 6193 umbrella trailer hitch mount, print from Amazon.com website, copyright 1996-2021, 1 page, Jan. 1, 1996.

* cited by examiner

Primary Examiner — Katrina A Betton

(74) *Attorney, Agent, or Firm* — Thomas M. Freiburger

(57) **CLAIM**

The ornamental design for an elongated umbrella hitch mount assembly for a vehicle, substantially as shown and described.

DESCRIPTION

FIG. 1 is a left side elevation view, partly in perspective, of an elongated umbrella hitch mount assembly for a vehicle showing my new design, the sport utility vehicle in dashed lines not forming a part of the design;

FIG. 2 is a rear elevation view thereof, partly in perspective, the sport utility vehicle in dashed lines and the dashed-line elements of the umbrella not forming a part of the design;

FIG. 3 is another rear elevational view thereof, partly in perspective, showing a variation of my design in which the umbrella is rotated to a transverse orientation, the sport utility vehicle in dashed lines not forming a part of the design;

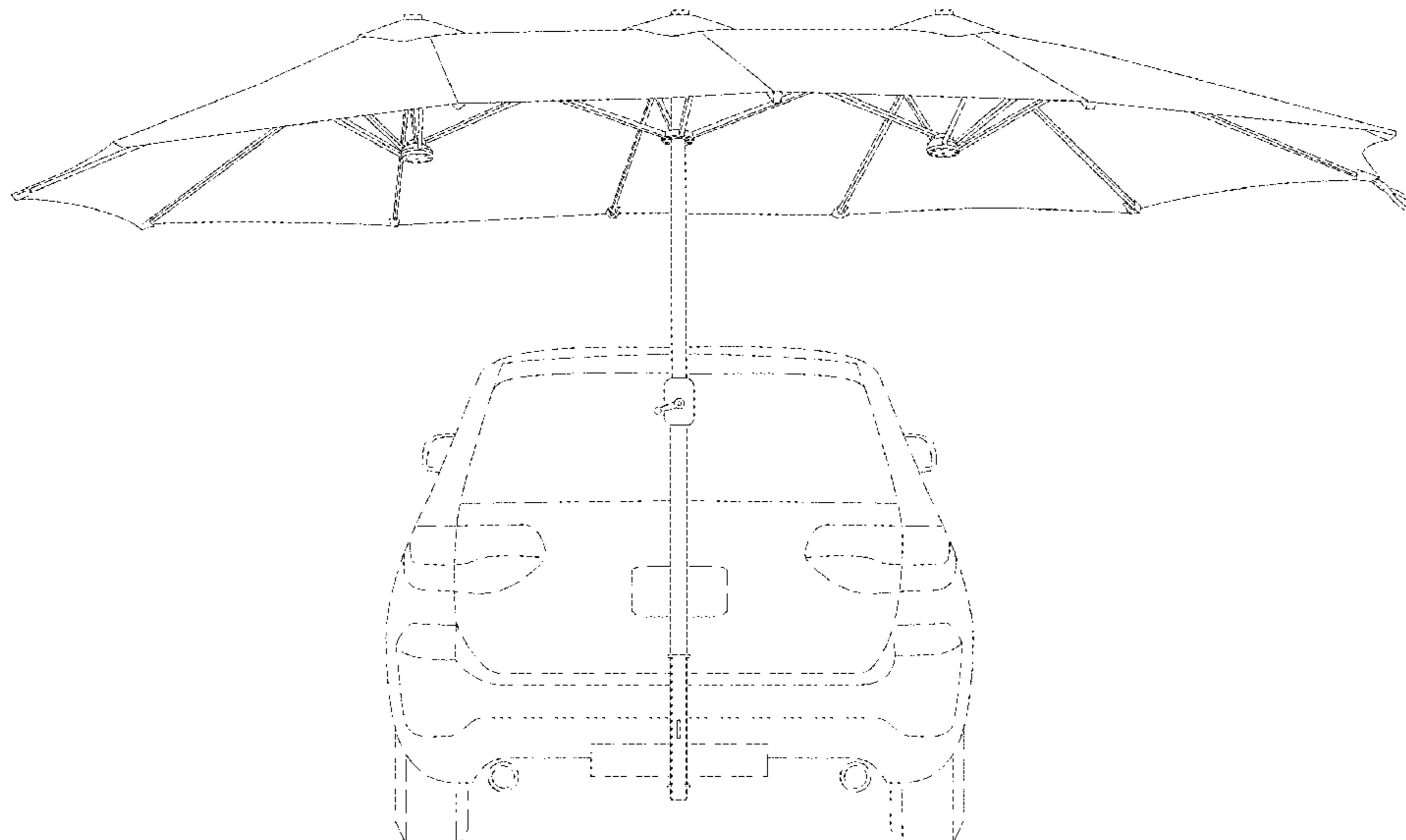
FIG. 4 is a right side elevation view thereof, partly in perspective, the pickup truck in dashed lines not forming a part of the design;

FIG. 5 is a front elevation view thereof, partly in perspective, the umbrella elements in dashed lines not forming a part of the design;

FIG. 6 is a bottom perspective view thereof, looking upward at my design, the umbrella elements in dashed lines not forming a part of the design; and,

FIG. 7 is a top plan view thereof.

1 Claim, 7 Drawing Sheets



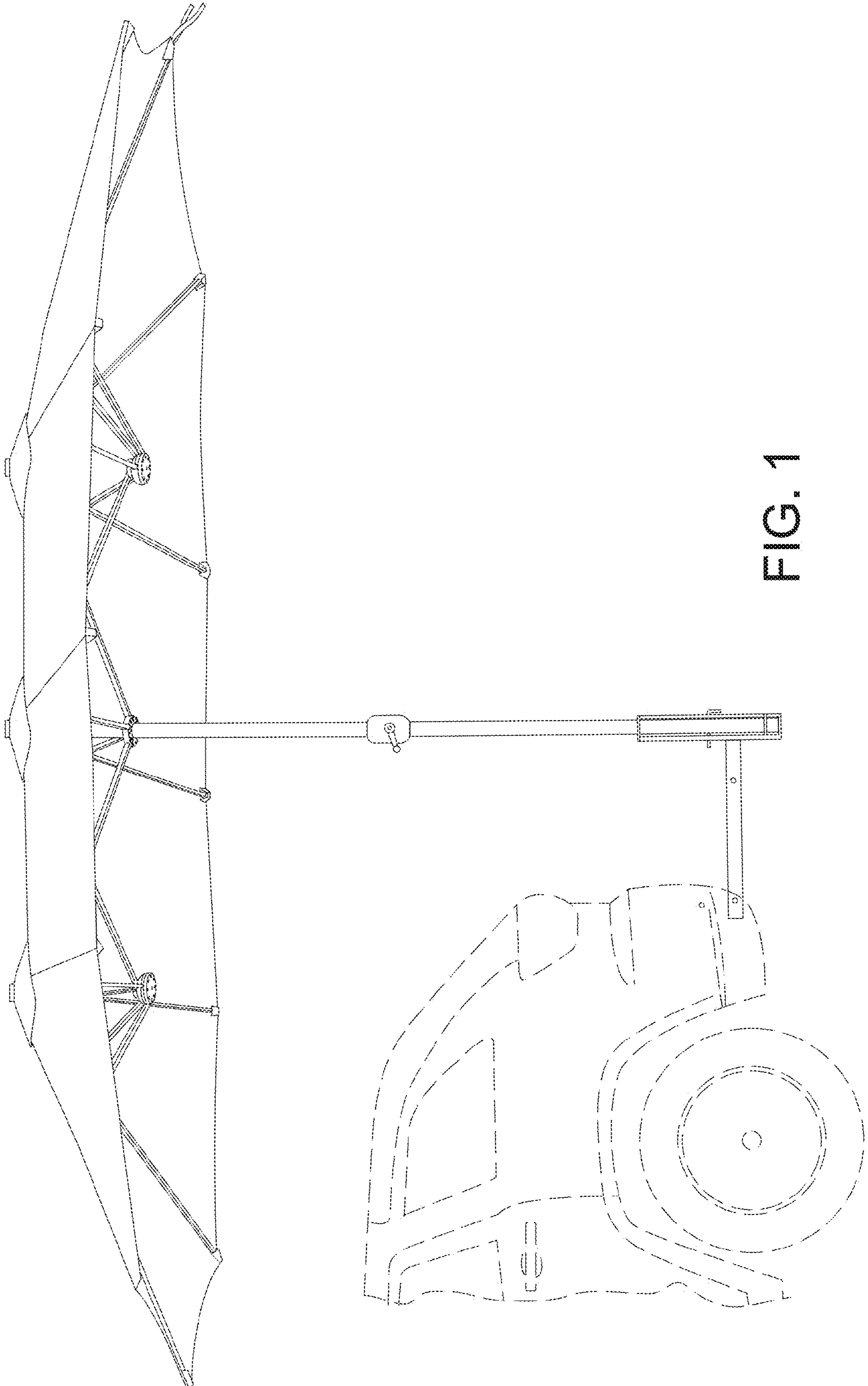


FIG. 1

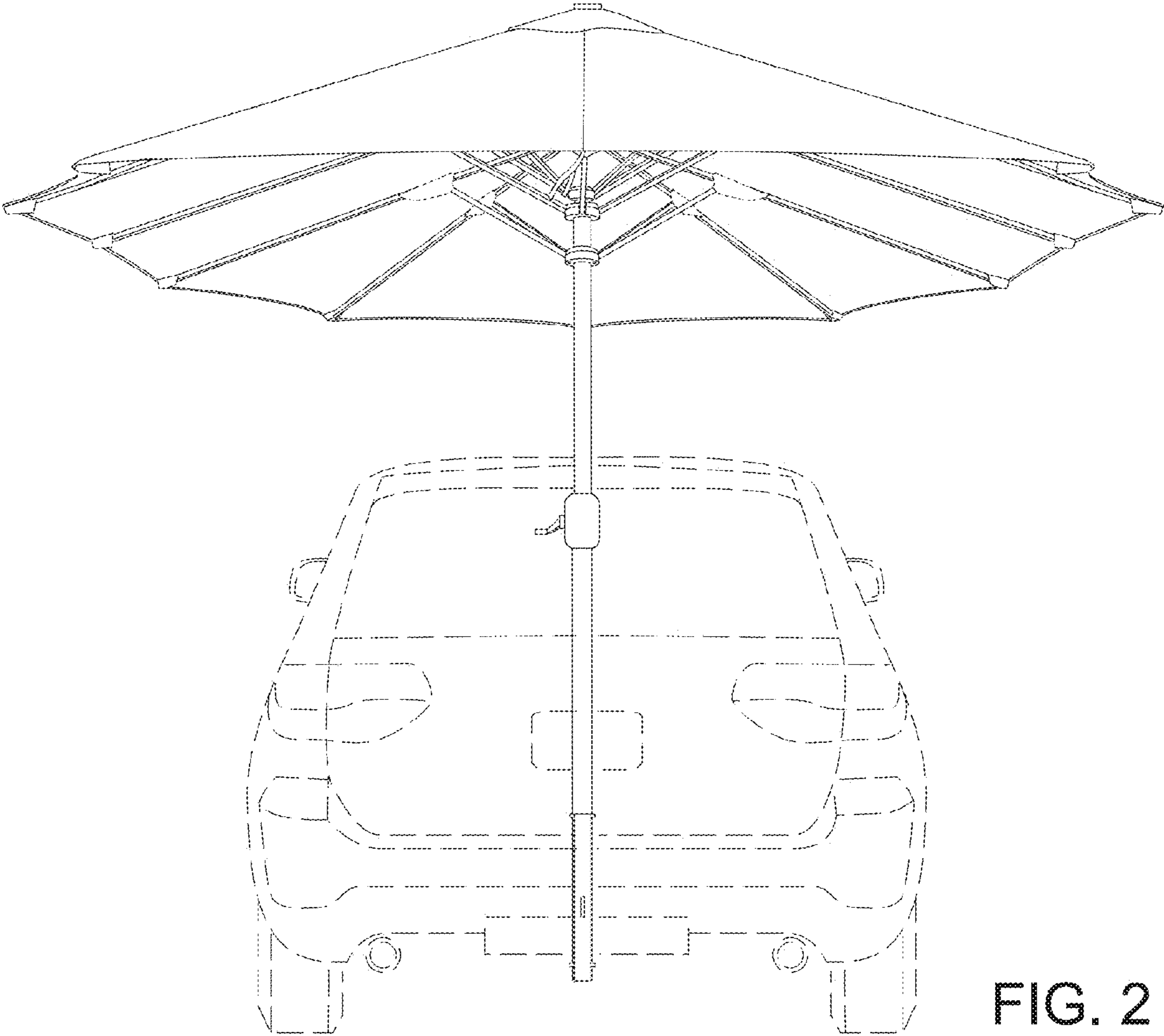


FIG. 2

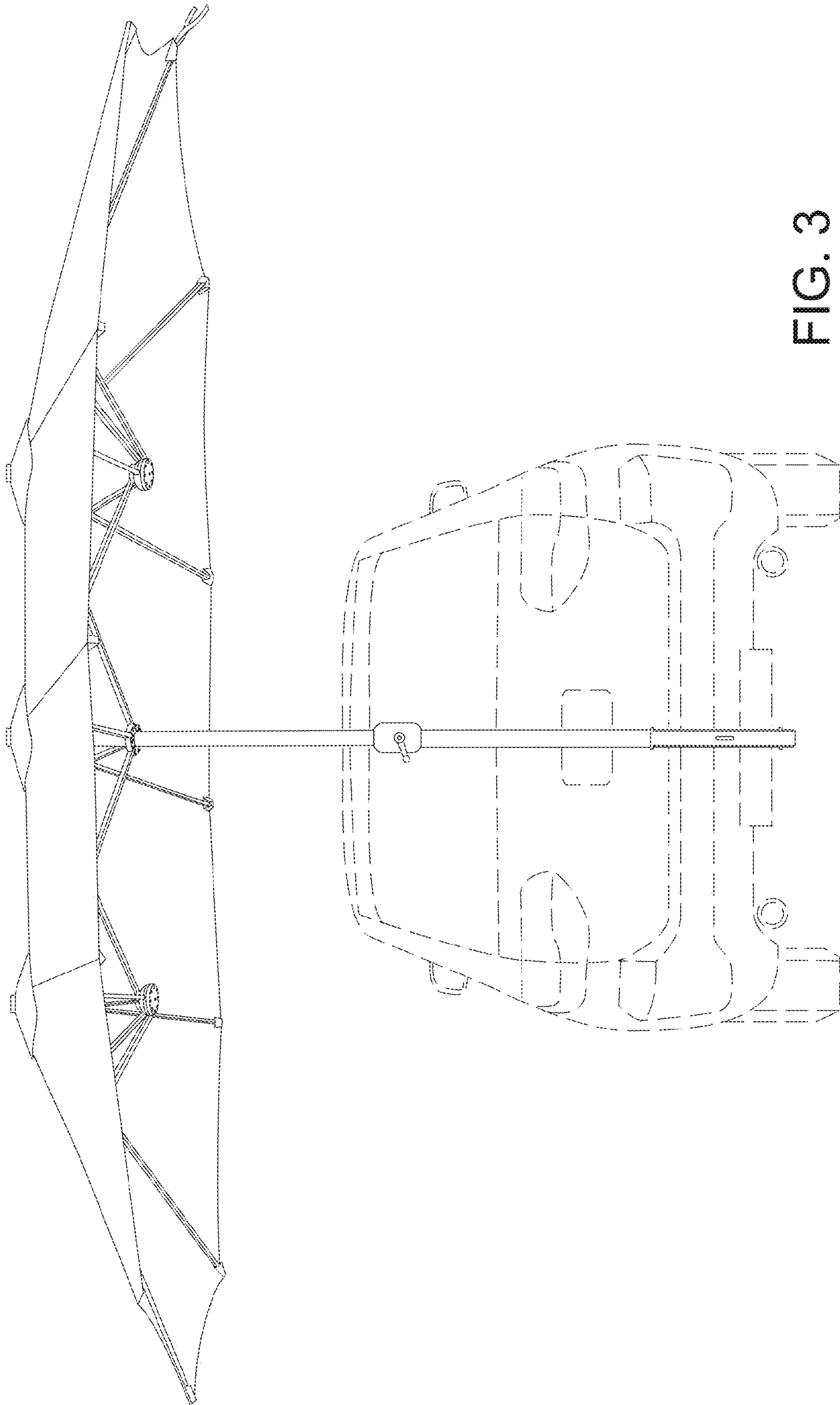


FIG. 3

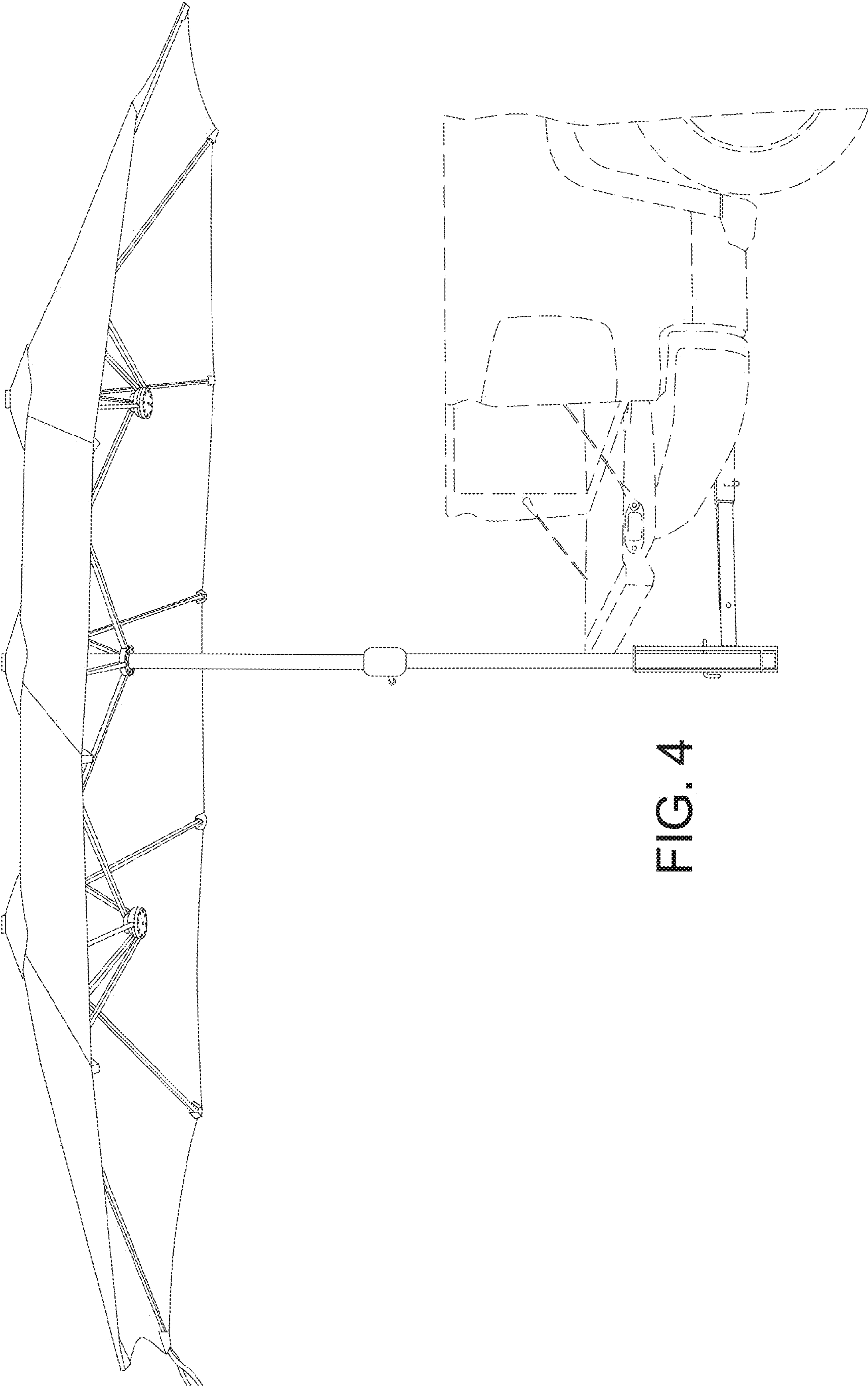


FIG. 4

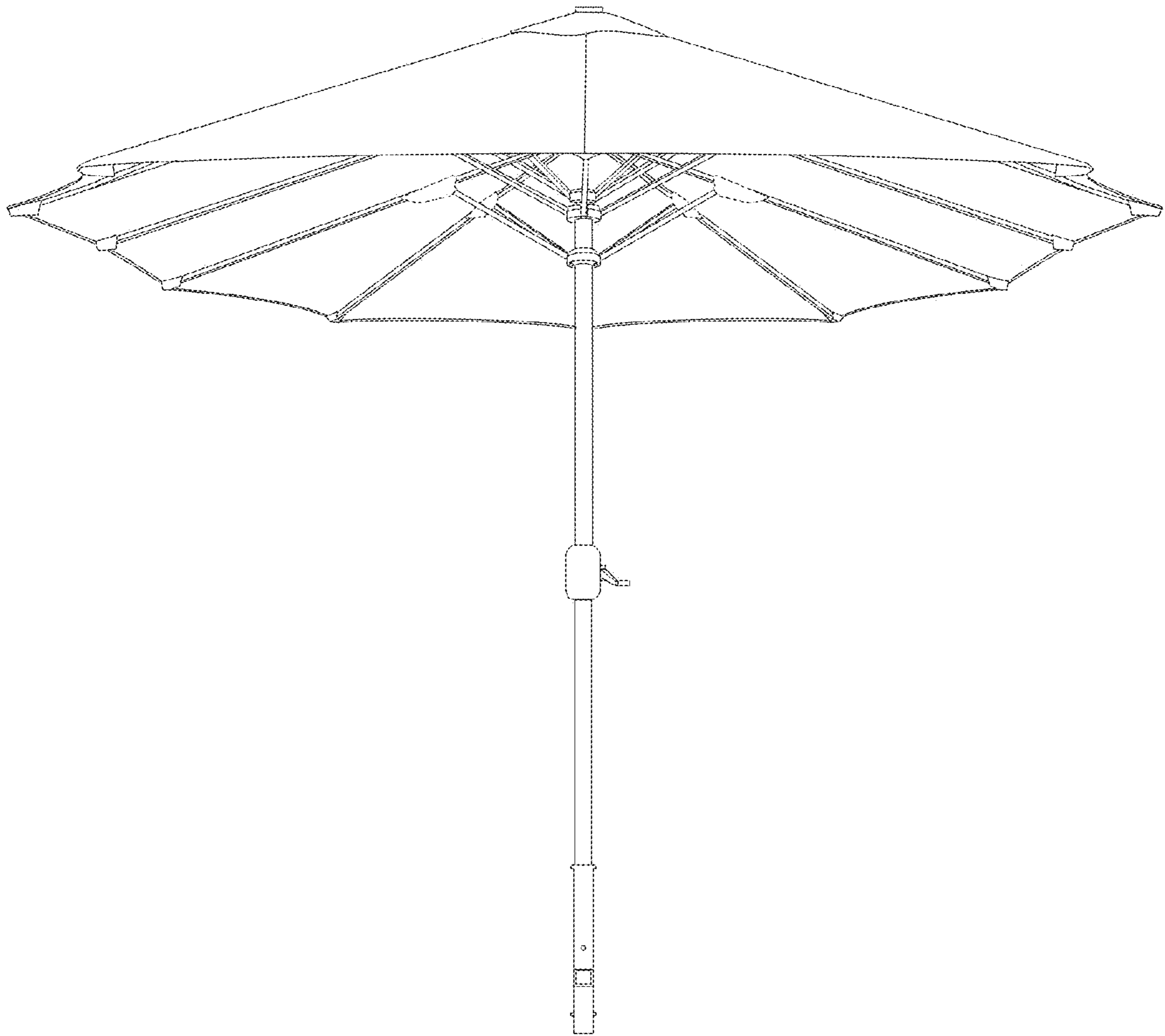


FIG. 5

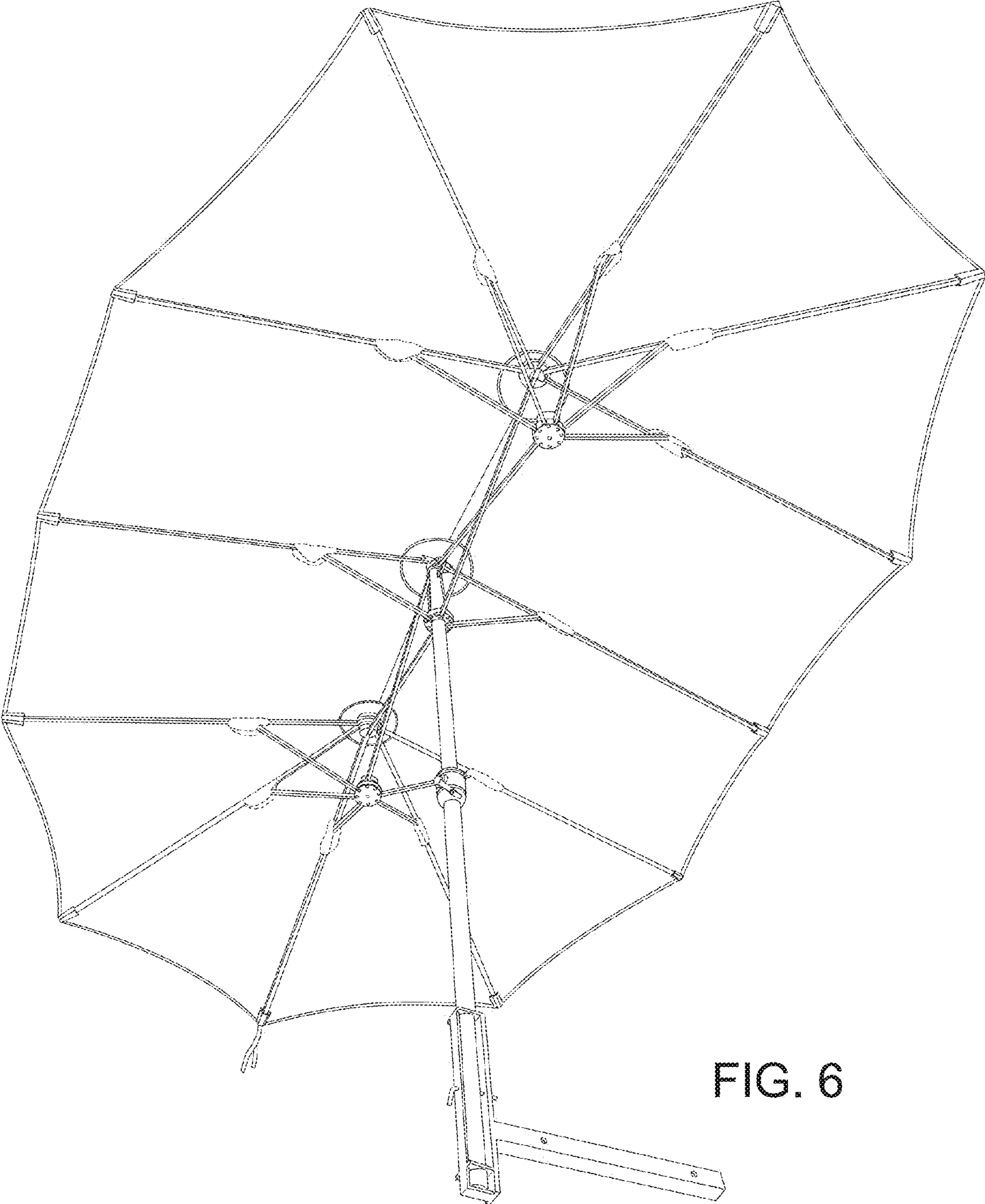


FIG. 6

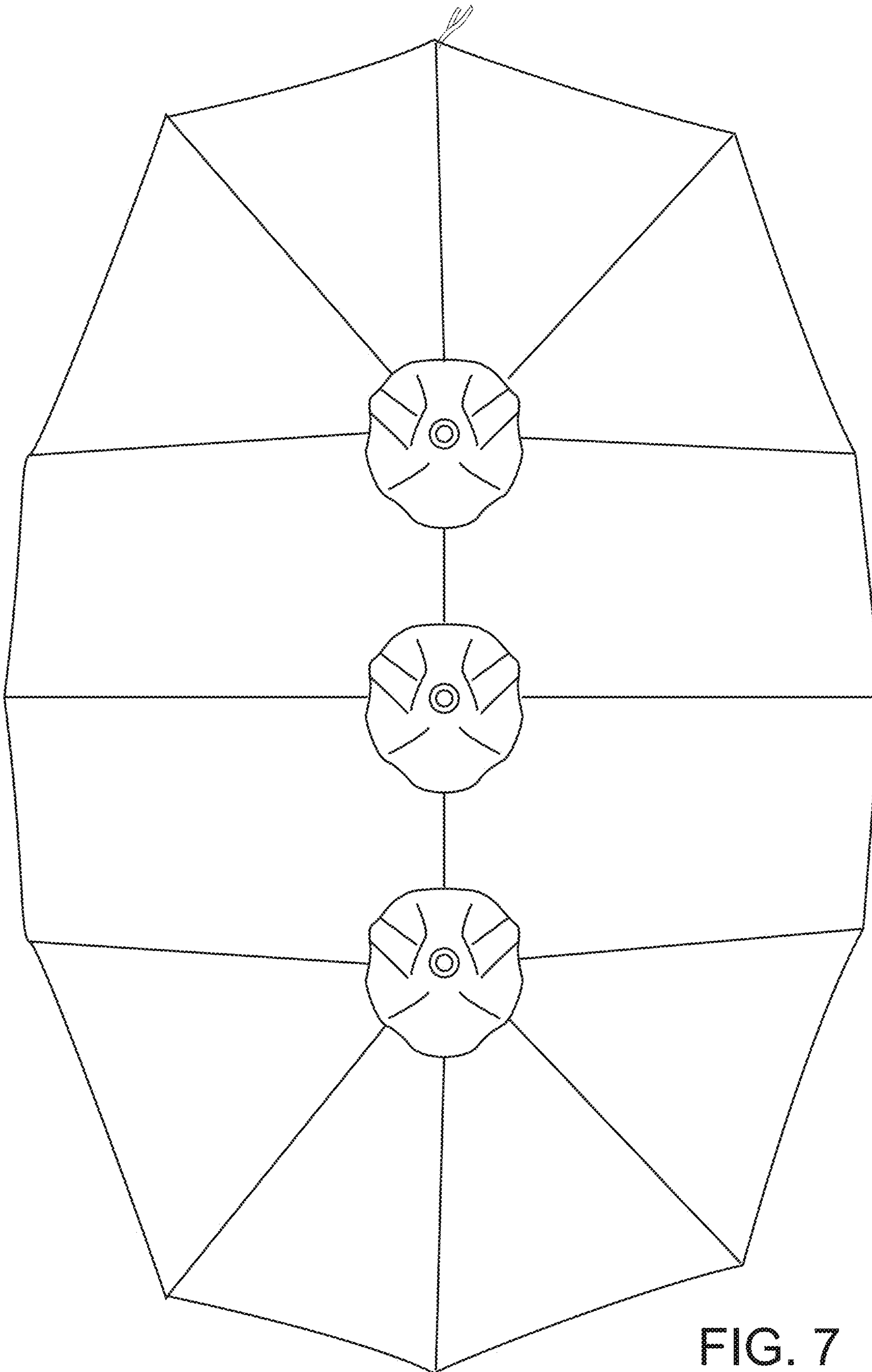


FIG. 7