



US00D930514S

(12) **United States Design Patent** (10) **Patent No.:** **US D930,514 S**
Hsu (45) **Date of Patent:** **** Sep. 14, 2021**

(54) BICYCLE PEDAL CRANK	6,276,885 B1 * 8/2001 Yamanaka B25B 13/48 411/403
(71) Applicant: MING SUEY PRECISION IND. CO., LTD. , Taichung (TW)	D484,831 S * 1/2004 Chiang D12/123 D498,710 S * 11/2004 Chiang D12/123 D498,711 S * 11/2004 Chiang D12/123 D522,413 S * 6/2006 Okada D12/123
(72) Inventor: Chia-Wei Hsu , Taichung (TW)	7,530,291 B2 * 5/2009 Lin B62M 3/00 74/594.1
(73) Assignee: MING SUEY PRECISION IND. CO., LTD. , Taichung (TW)	D610,049 S * 2/2010 Curran D12/123 D617,689 S * 6/2010 Curran D12/123 D751,950 S * 3/2016 Sgreva D12/123 D756,271 S * 5/2016 Sgreva D12/123
(**) Term: 15 Years	2003/0066383 A1 * 4/2003 Jiang B62M 3/00 74/594.1

(21) Appl. No.: **29/707,305**

(Continued)

(22) Filed: **Sep. 27, 2019**

Primary Examiner — Michelle E. Wilson

(51) **LOC (13) Cl.** **12-11**

Assistant Examiner — Clese Moore, Jr.

(52) **U.S. Cl.**

(74) *Attorney, Agent, or Firm* — Muncy, Geissler, Olds & Lowe, P.C.

USPC **D12/123**

(58) **Field of Classification Search**

(57) **CLAIM**

USPC D12/111, 114, 122–127
CPC F16H 7/06; F16H 55/30; F16H 55/303;
F16F 55/12; B62M 9/105; B62M 3/00
See application file for complete search history.

I claim the ornamental design for a bicycle pedal crank, as shown and described.

DESCRIPTION

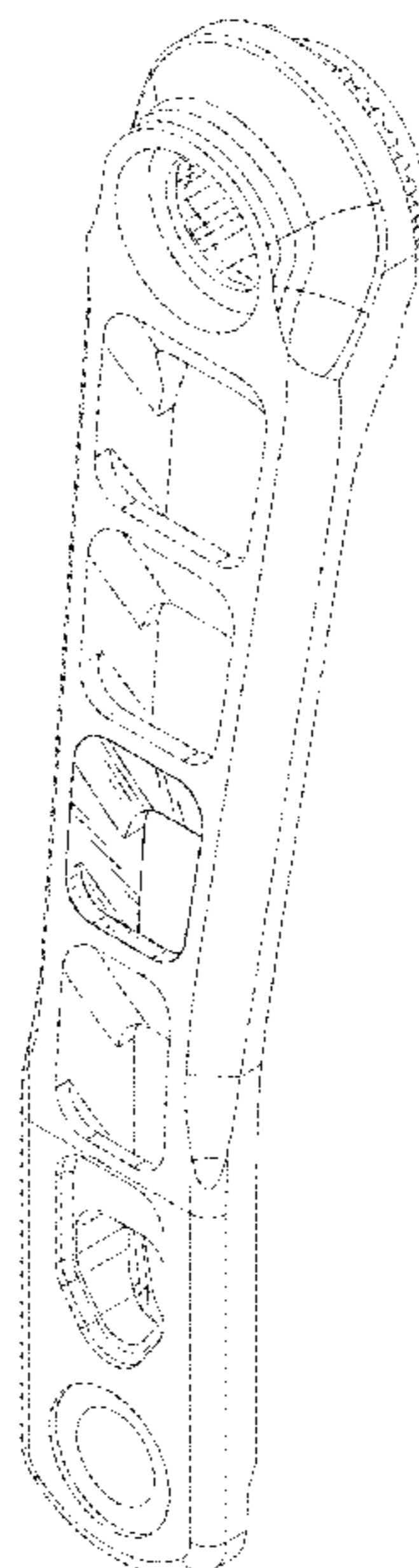
(56) **References Cited**

FIG. 1 is a top, front, right perspective view of a bicycle pedal crank showing my new design;
FIG. 2 is a front elevational view thereof;
FIG. 3 is a rear elevational view thereof;
FIG. 4 is a left side view thereof;
FIG. 5 is a right side view thereof;
FIG. 6 is a top plan view thereof;
FIG. 7 is a bottom plan view thereof;
FIG. 8 is a bottom, rear, left perspective view thereof; and,
FIG. 9 is a top, front, right perspective view thereof, shown in use an alternative environmental configuration.
The broken lines in the drawings illustrate portions of the bicycle pedal crank which form no part of the claimed design.

U.S. PATENT DOCUMENTS

D265,812 S *	8/1982	Kastan	D12/123
D299,221 S *	1/1989	Borromeo	D12/123
D319,808 S *	9/1991	Cook	D12/123
D323,308 S *	1/1992	Romero	D12/123
D356,526 S *	3/1995	Burns	D12/123
5,435,869 A *	7/1995	Christensen	B29C 53/564 156/169
5,609,070 A *	3/1997	Lin	B62M 3/16 74/558.5
5,623,856 A *	4/1997	Durham	B62M 3/00 74/579 R
D384,603 S *	10/1997	Chen	D12/123
D401,539 S *	11/1998	Humphries, Jr.	D12/123
D430,075 S *	8/2000	Kirimoto	D12/123

1 Claim, 8 Drawing Sheets



(56)

References Cited

U.S. PATENT DOCUMENTS

2004/0182197 A1* 9/2004 Chiang B62K 19/16
74/594.1
2010/0275724 A1* 11/2010 Staples B29C 70/742
74/594.1
2011/0011202 A1* 1/2011 Lin B62M 3/00
74/594.1
2013/0068066 A1* 3/2013 Staples B62M 3/00
74/594.1

* cited by examiner

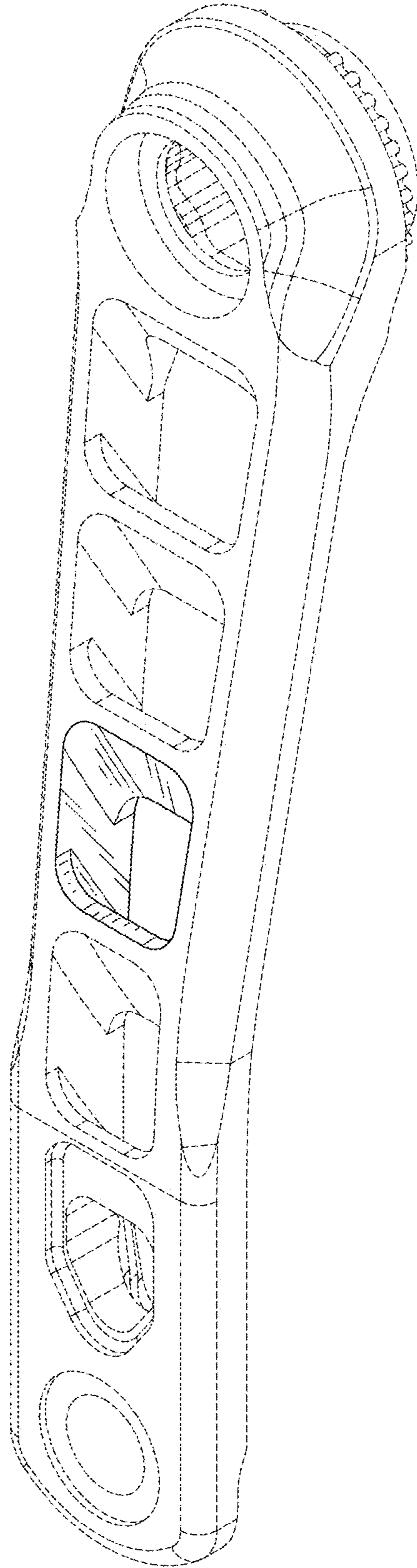


FIG. 1

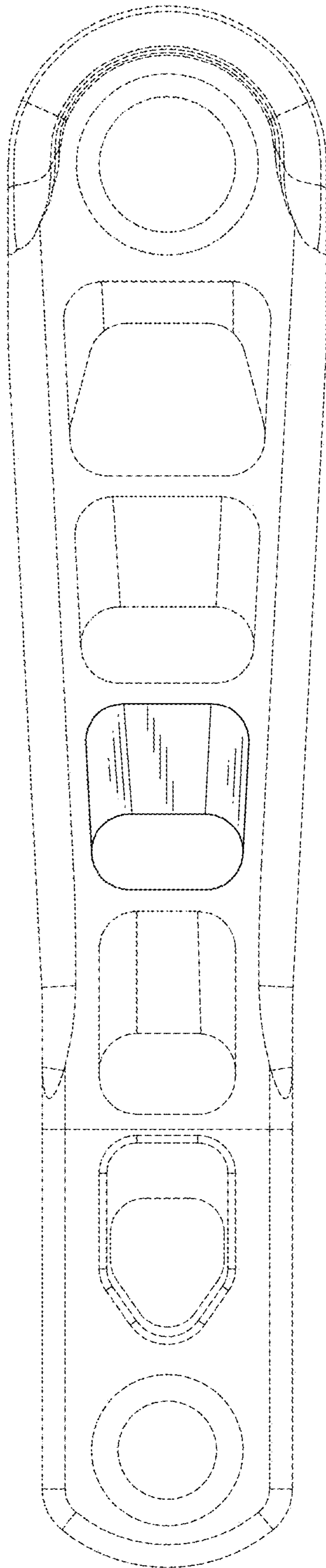


FIG. 2

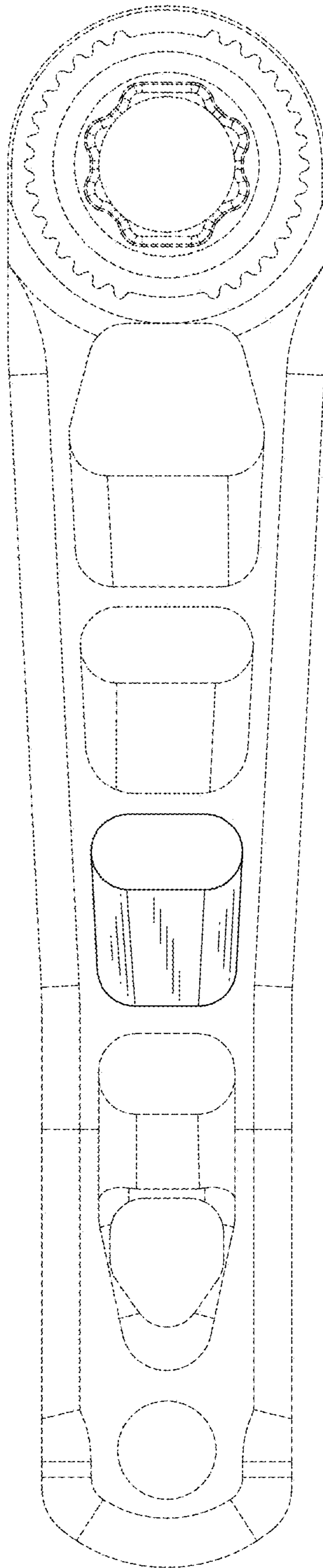


FIG. 3

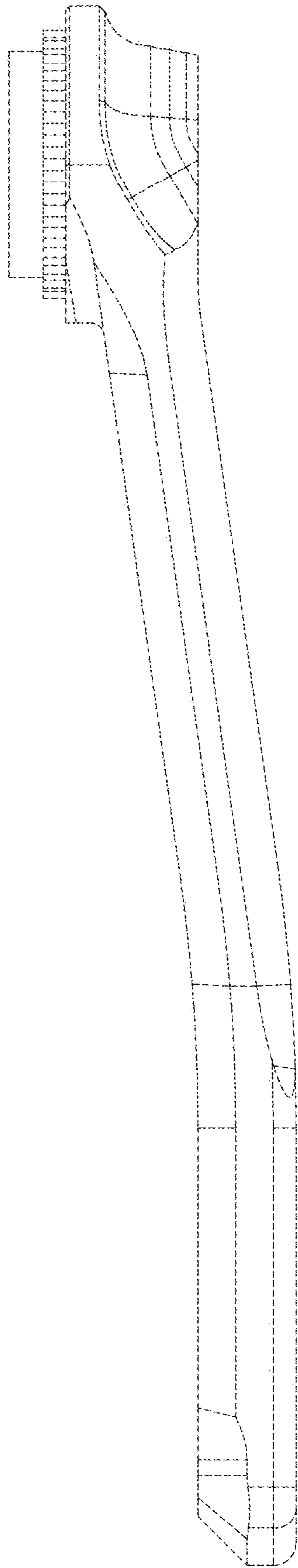


FIG. 4

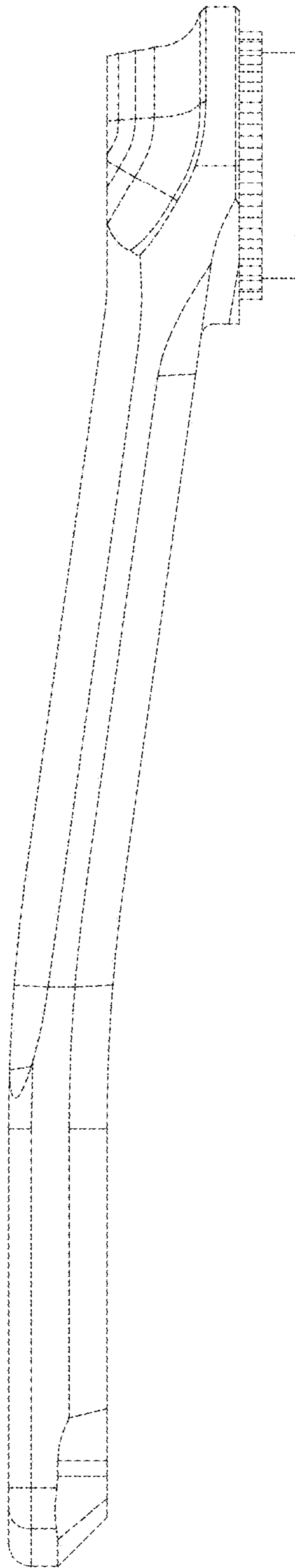


FIG. 5

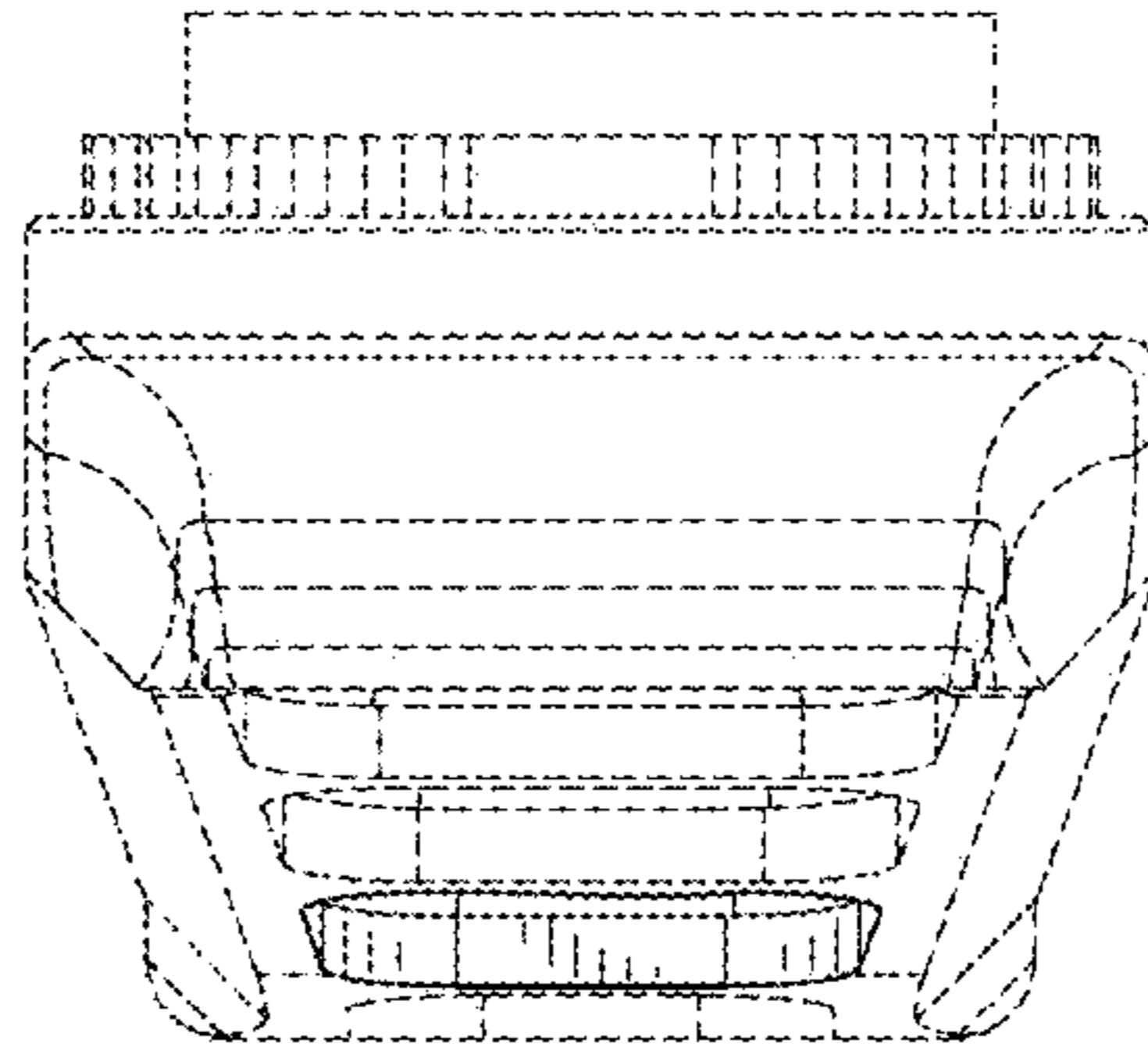


FIG. 6

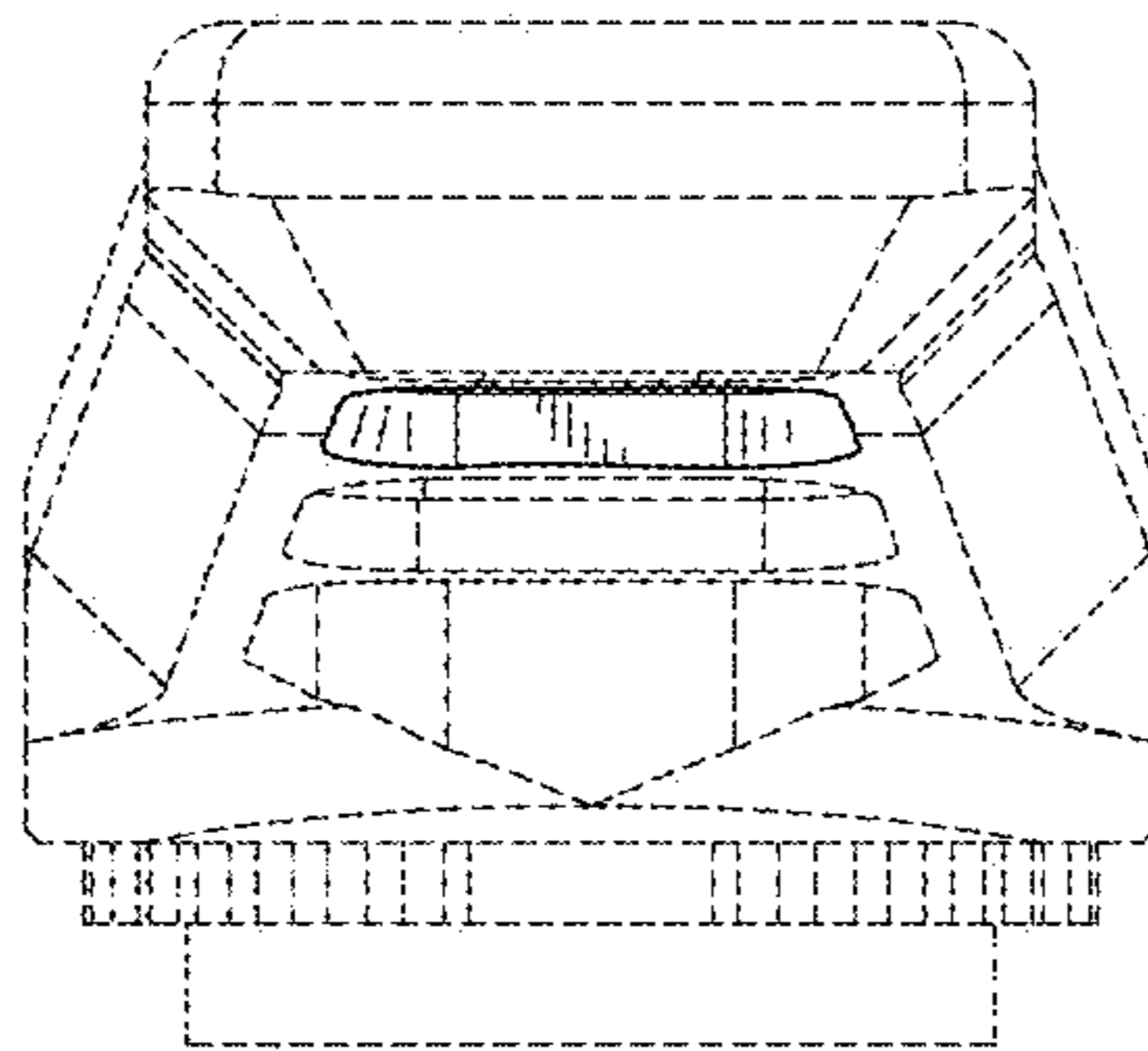


FIG. 7

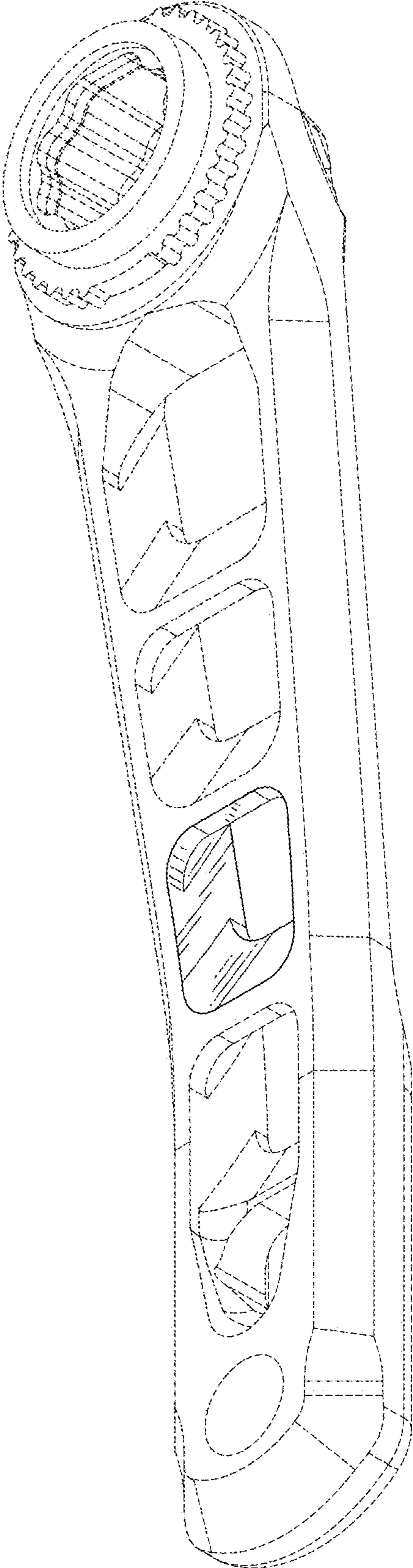


FIG. 8

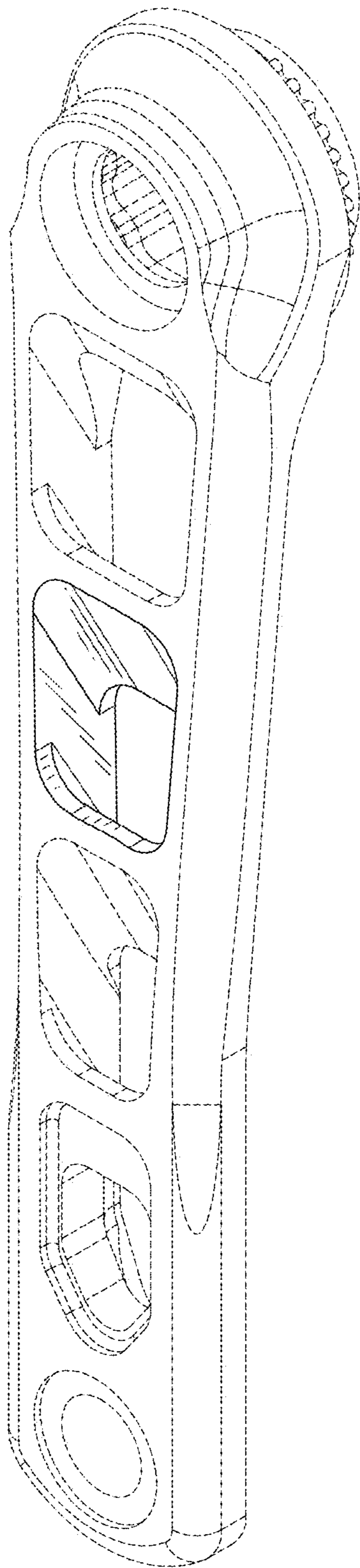


FIG. 9