



US00D930508S

(12) **United States Design Patent**
Höss et al.

(10) **Patent No.:** **US D930,508 S**

(45) **Date of Patent:** **** Sep. 14, 2021**

(54) **MOTOR VEHICLE, TOY REPLICA AND/OR OTHER REPLICA**

(71) Applicant: **AUDI AG**, Ingolstadt (DE)

(72) Inventors: **Tobias Höss**, Ingolstadt (DE);
Francesco D'Amore, Ingolstadt (DE)

(73) Assignee: **AUDI AG**, Ingolstadt (DE)

(**) Term: **15 Years**

(21) Appl. No.: **29/707,952**

(22) Filed: **Oct. 2, 2019**

(30) **Foreign Application Priority Data**

Aug. 21, 2019 (EM) 006746111

(51) **LOC (13) Cl.** **12-08**

(52) **U.S. Cl.**
USPC **D12/92**

(58) **Field of Classification Search**
USPC D12/86, 90-92, 88, 164; D21/424, 433,
D21/434, 548, 550; 296/181.1-181.5,
296/183.1

CPC B62D 25/00; B62D 25/06; B62D 33/00;
B62D 35/00

See application file for complete search history.

(56) **References Cited**

U.S. PATENT DOCUMENTS

D637,943 S *	5/2011	Bischoff	D12/92
D671,034 S *	11/2012	Bischoff	D12/91
D671,035 S *	11/2012	Bischoff	D12/91
D690,231 S *	9/2013	Bischoff	D12/91
D699,157 S *	2/2014	Bischoff	D12/92
D701,145 S *	3/2014	Bischoff	D12/91
D706,174 S *	6/2014	Garand	D12/92
D712,788 S *	9/2014	Bischoff	D12/91

D714,689 S *	10/2014	Bischoff	D12/92
D715,693 S *	10/2014	Lamberty	D12/92
D740,177 S *	10/2015	Callum	D12/92
D740,178 S *	10/2015	Bischoff	D12/92
D748,534 S *	2/2016	Bischoff	D12/92
D756,849 S *	5/2016	Garcia Lopez	D12/92
D761,697 S *	7/2016	Bischoff	D12/92
D764,352 S *	8/2016	Pires	D12/92
D767,448 S *	9/2016	Leu	D12/92
D783,457 S *	4/2017	Wehrli	D12/92
D801,873 S *	11/2017	Lamberty	D12/92
D802,483 S *	11/2017	Fahr-Becker	D12/92
D804,362 S *	12/2017	Jung	D12/92
D814,356 S *	4/2018	Lamberty	D12/92
D823,723 S *	7/2018	Brendel	D12/92
D826,095 S *	8/2018	Hirzel	D12/92

(Continued)

Primary Examiner — Melody N Brown

(74) *Attorney, Agent, or Firm* — Lucas & Mercanti, LLP;
Klaus P. Stoffel

(57) **CLAIM**

The ornamental design for a motor vehicle, toy replica and/or other replica, as shown and described.

DESCRIPTION

FIG. 1 is a front and right side perspective view of a motor vehicle, toy replica and/or other replica showing our new design.

FIG. 2 is a rear and left side perspective view thereof;

FIG. 3 is a front view thereof;

FIG. 4 is a rear view thereof;

FIG. 5 is a left side view thereof;

FIG. 6 is a right side view thereof; and,

FIG. 7 is a top view thereof.

The wheels and lights of the motor vehicle shown throughout the drawing views in a de-emphasized and faded out halftone manner are for environmental and illustrative purposes and form no part of the claimed design.

1 Claim, 4 Drawing Sheets



(56)

References Cited

U.S. PATENT DOCUMENTS

D831,542 S * 10/2018 Russo D12/92
D898,621 S * 10/2020 Fahr-Becker D12/91

* cited by examiner

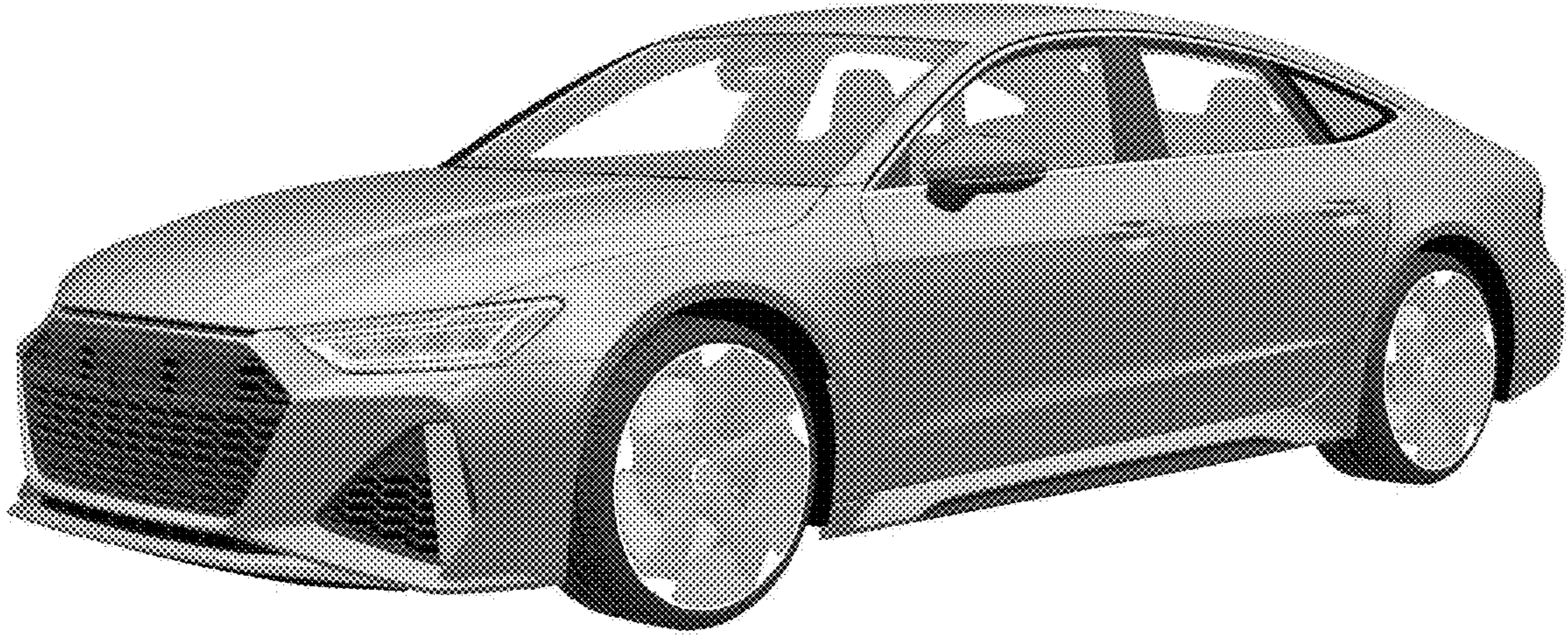


FIG. 1

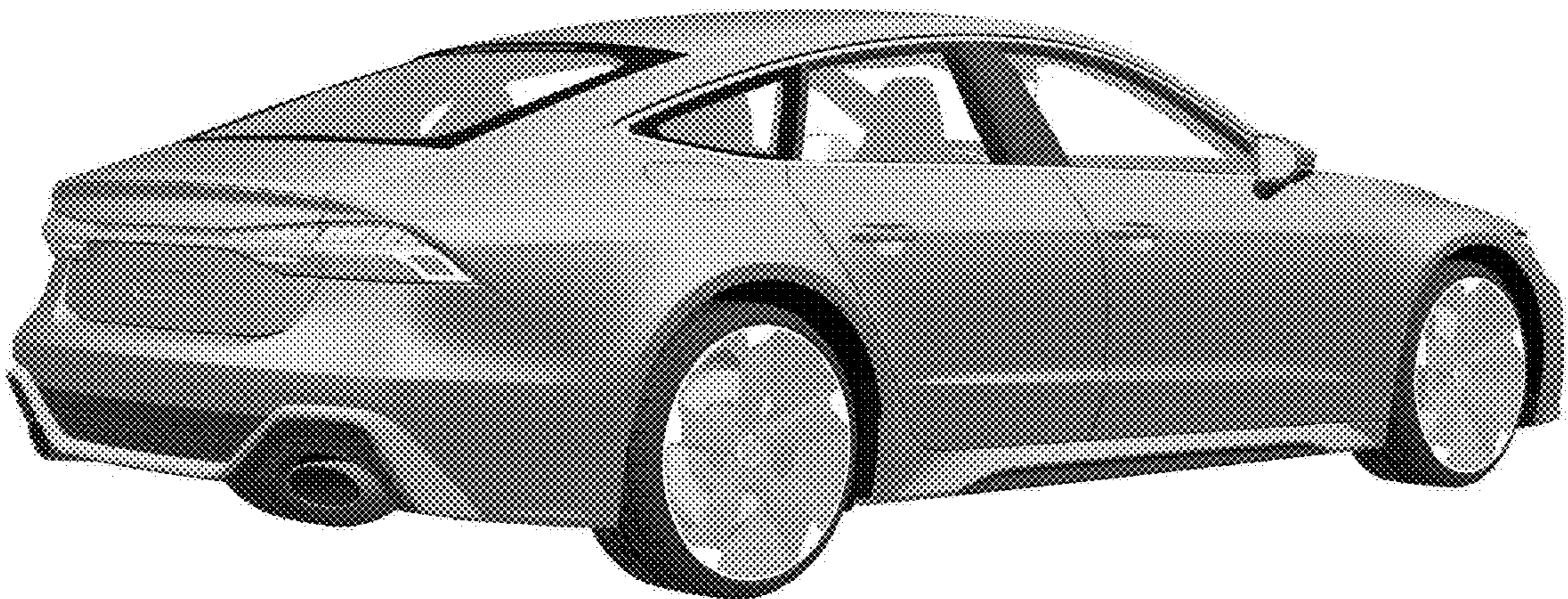


FIG. 2

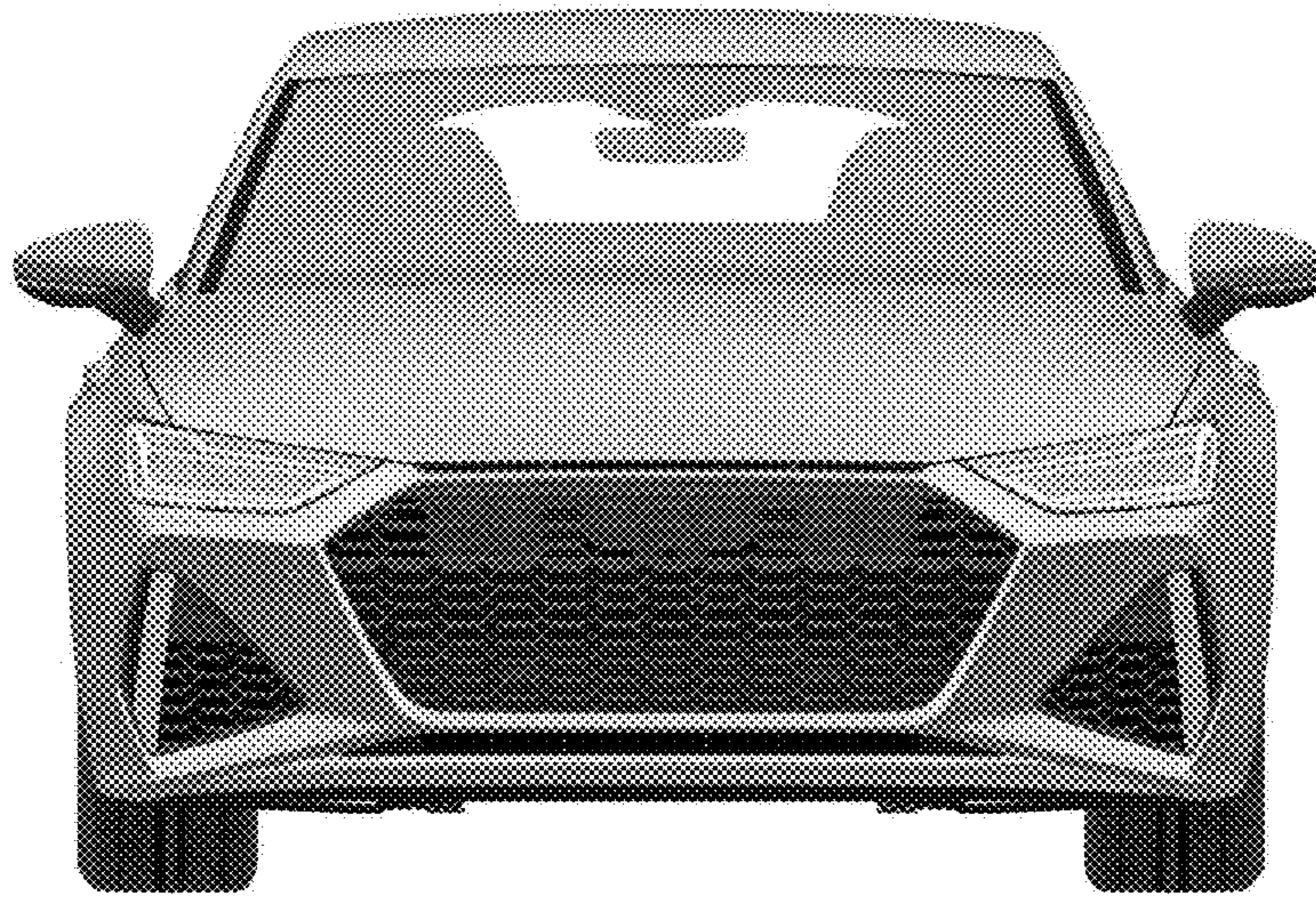


FIG. 3

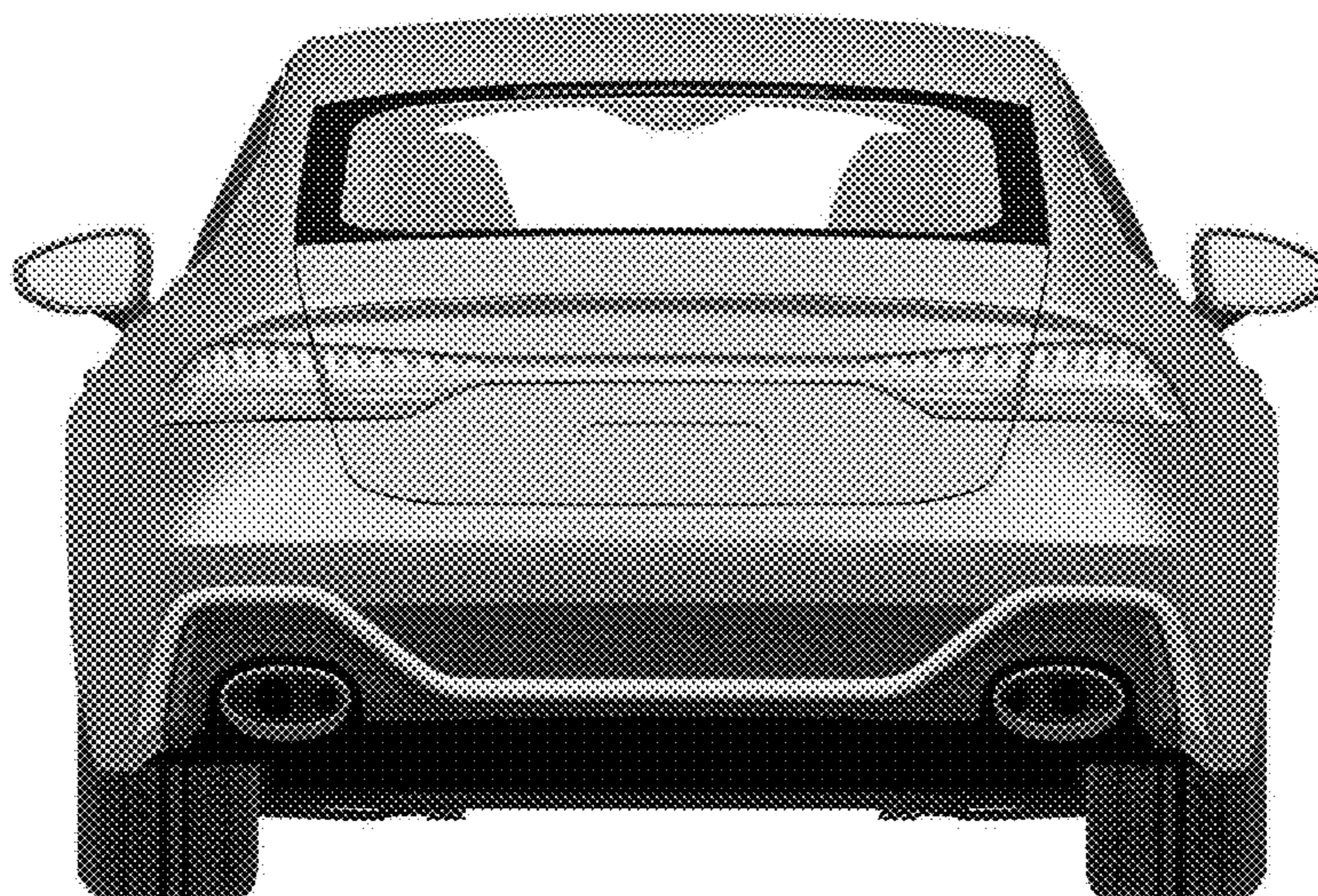


FIG. 4

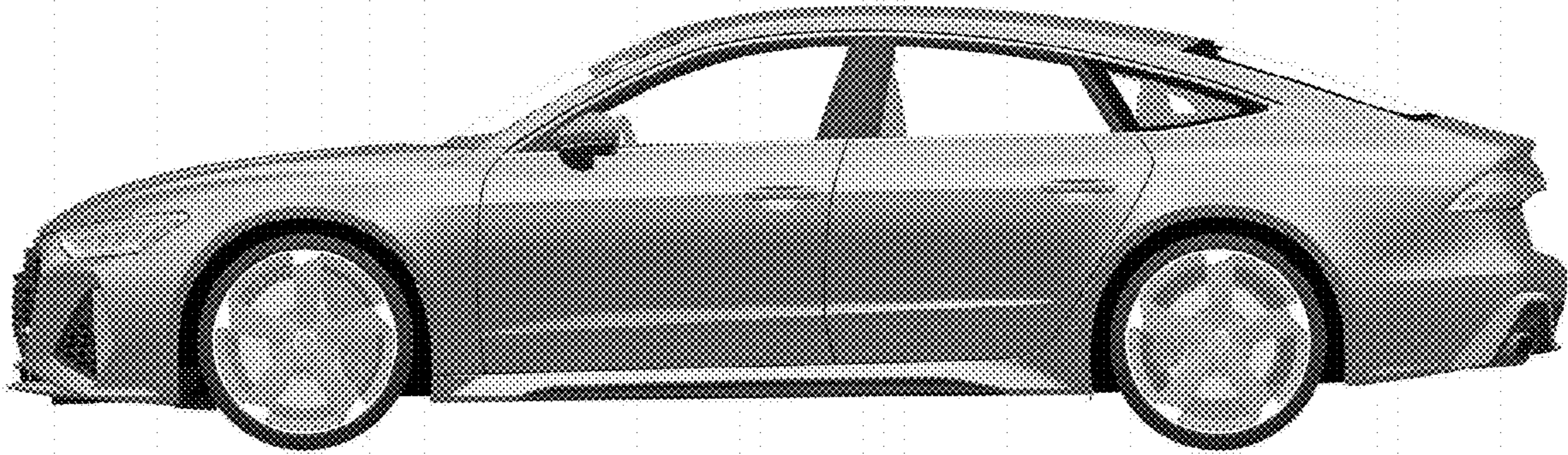


FIG. 5

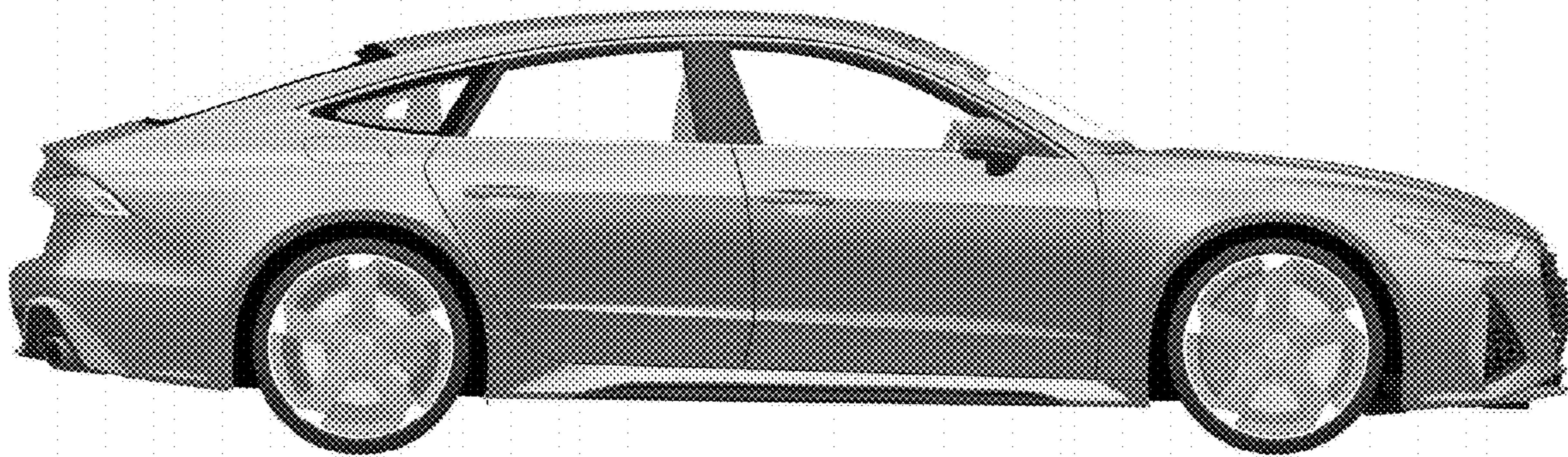


FIG. 6

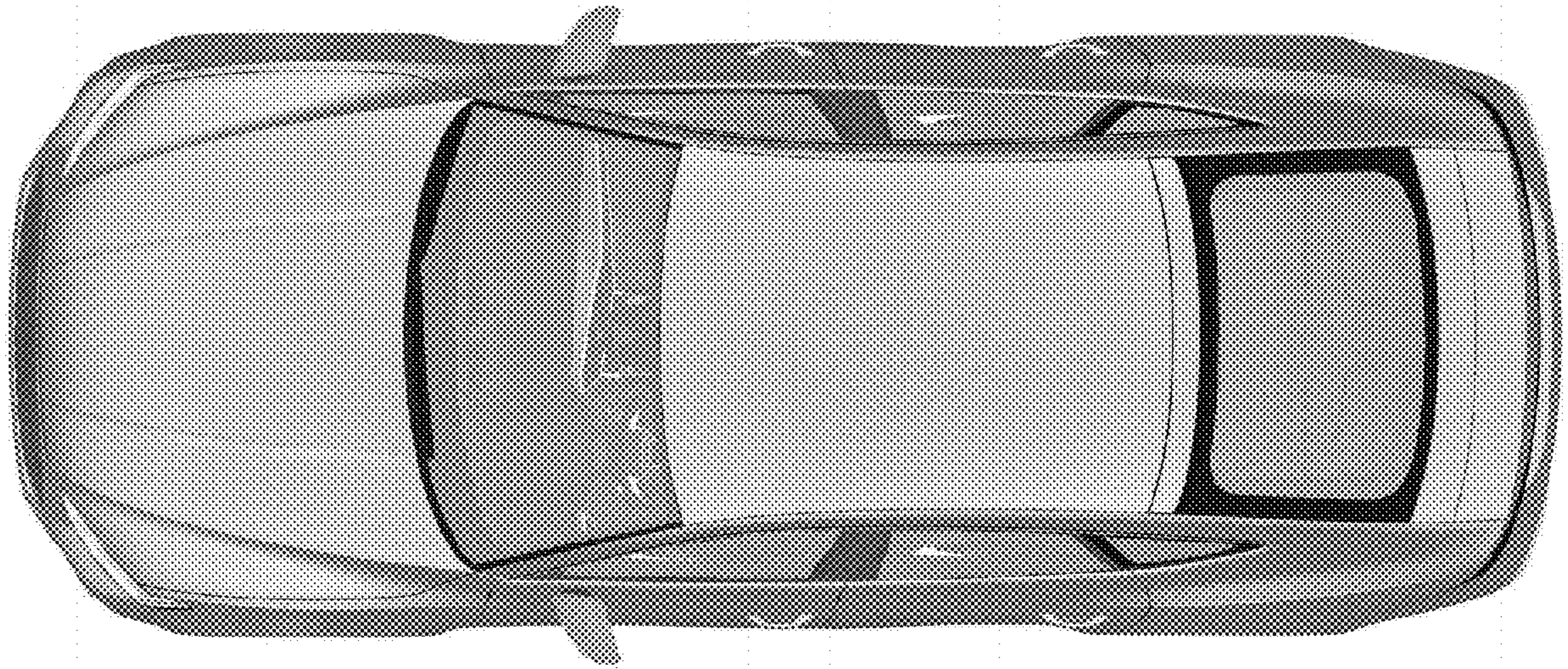


FIG. 7