



US00D930506S

(12) **United States Design Patent**
Ohmori

(10) **Patent No.:** **US D930,506 S**

(45) **Date of Patent:** **** Sep. 14, 2021**

(54) **MOTOR VEHICLE AND/OR TOY REPLICA THEREOF**

(71) Applicant: **Shinsuke Ohmori**, Toyota (JP)

(72) Inventor: **Shinsuke Ohmori**, Toyota (JP)

(73) Assignee: **Toyota Jidosha Kabushiki Kaisha**, Toyota (JP)

(**) Term: **15 Years**

(21) Appl. No.: **29/706,445**

(22) Filed: **Sep. 20, 2019**

(51) **LOC (13) Cl.** **12-08**

(52) **U.S. Cl.**
USPC **D12/88**

(58) **Field of Classification Search**
USPC D12/86, 90-92, 88, 164; D21/424, 433,
D21/434, 548, 550; 296/181.1-181.5,
296/183.1
CPC B62D 25/00; B62D 25/06; B62D 33/00;
B62D 35/00

See application file for complete search history.

(56) **References Cited**

U.S. PATENT DOCUMENTS

D359,082 S *	6/1995	Aker	D21/550
D362,280 S *	9/1995	George	D21/550
D397,380 S *	8/1998	Araki	D21/550
D510,055 S *	9/2005	Yi	D12/88
D672,407 S *	12/2012	Nakayama	D21/550
D792,524 S *	7/2017	Lee	D21/533
D825,684 S *	8/2018	Gan	D21/550

OTHER PUBLICATIONS

NetCarShow.com, URL: https://www.netcarshow.com/mercedes-benz/2018-vision_eq_silver_arrow_concept/; Model: Mercedes-Benz Vision EQ Silver Arrow (2018); Mfg.: Mercedes-Benz; available on at least Jul. 29, 2019.

NetCarShow.com, URL: https://www.netcarshow.com/infiniti/2017-prototype_9_concept/; Model: Infiniti Prototype 9 (2017); Mfg.: Nissan; available on at least Jul. 29, 2019.

* cited by examiner

Primary Examiner — Melody N Brown

(74) *Attorney, Agent, or Firm* — Finnegan, Henderson, Farabow, Garrett & Dunner, L.L.P.

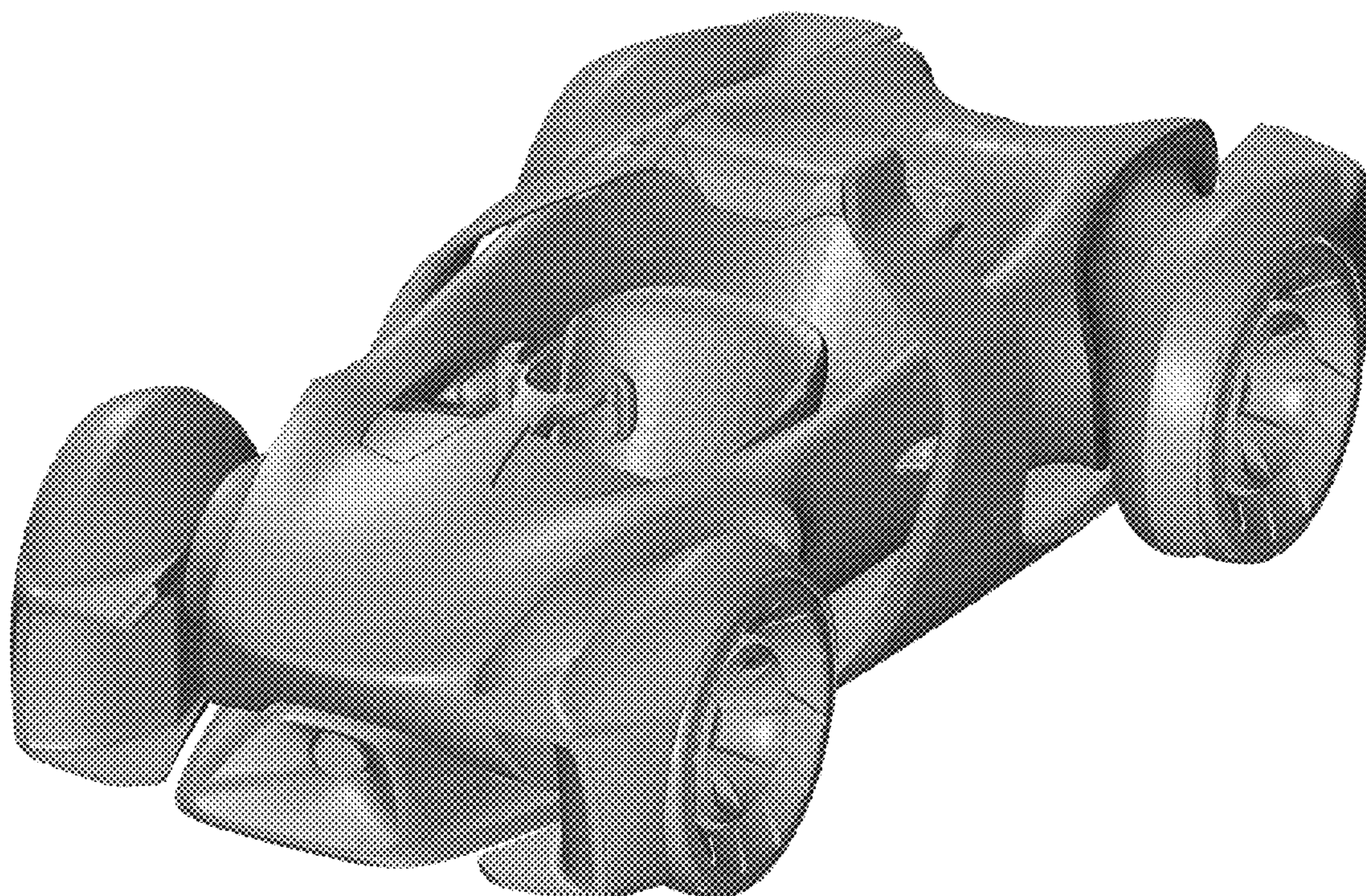
(57) **CLAIM**

The ornamental design for a motor vehicle and/or toy replica thereof, as shown and described.

DESCRIPTION

FIG. 1 is a left, front perspective view of a motor vehicle and/or toy replica thereof showing my new design; FIG. 2 is a left, rear perspective view thereof; FIG. 3 is a front view thereof; FIG. 4 is a rear view thereof; FIG. 5 is a left side view thereof; FIG. 6 is a right side view thereof; FIG. 7 is a top view thereof; and, FIG. 8 is a bottom view thereof.

1 Claim, 8 Drawing Sheets



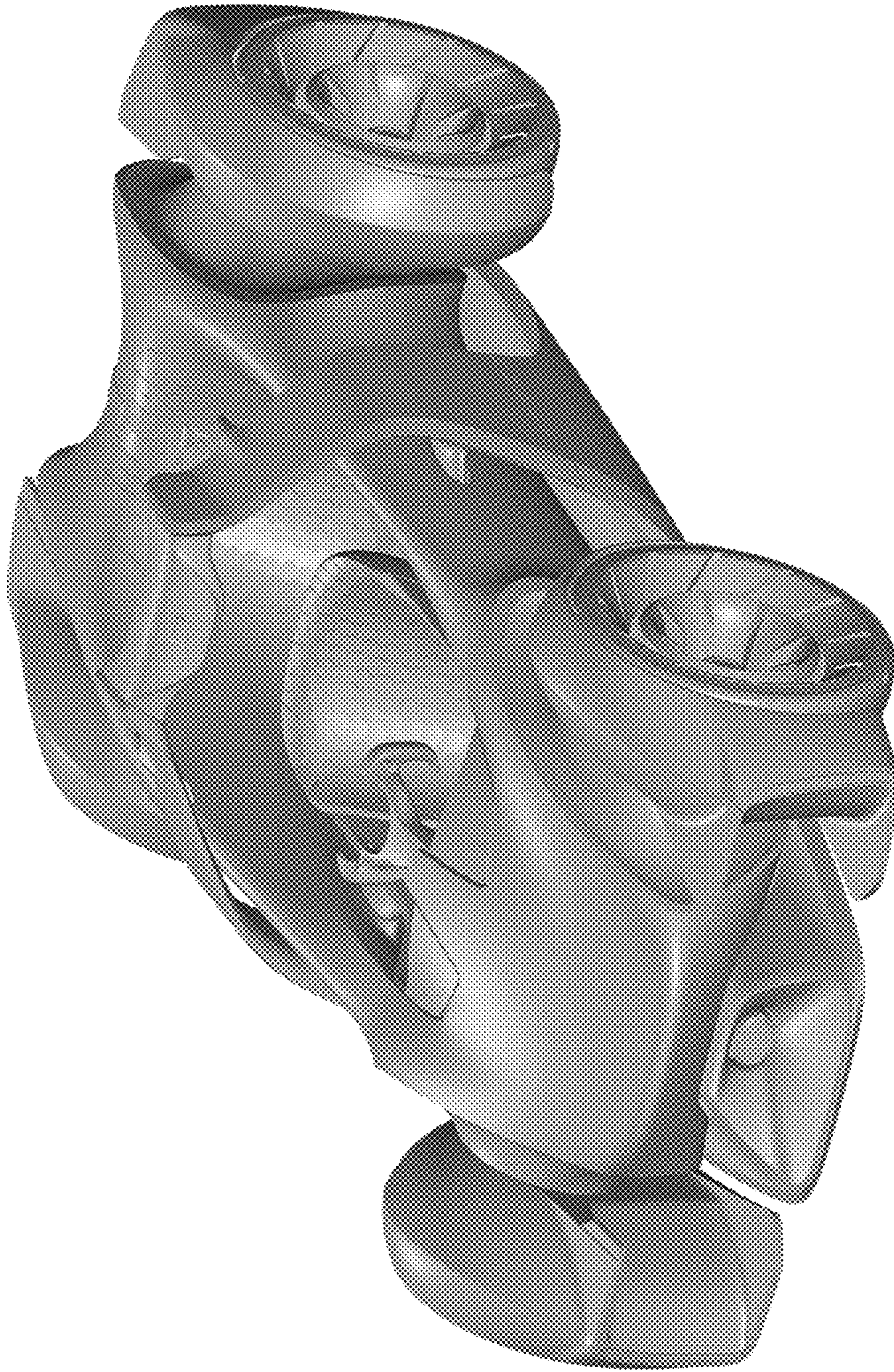


FIG. 1

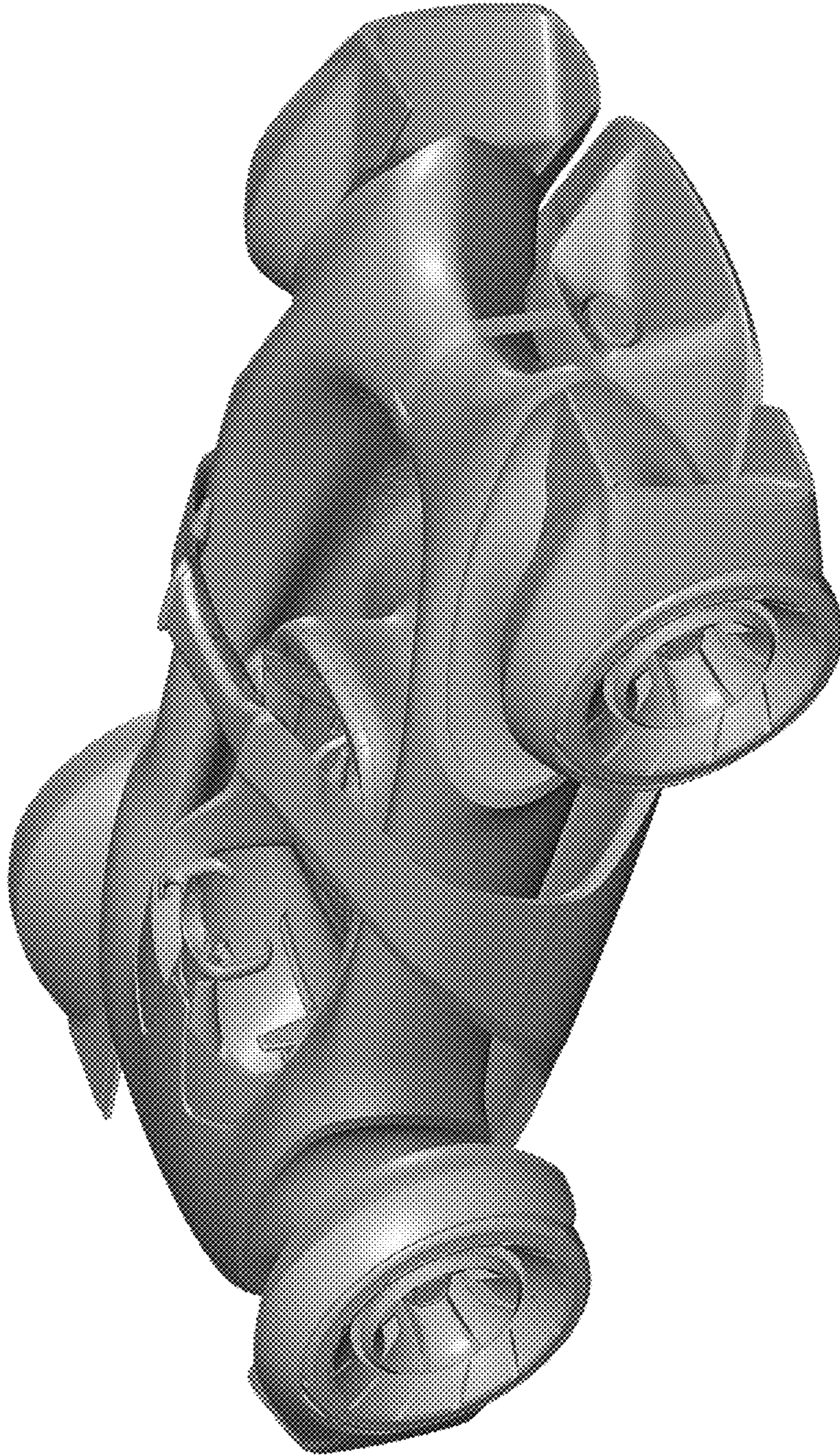


FIG. 2

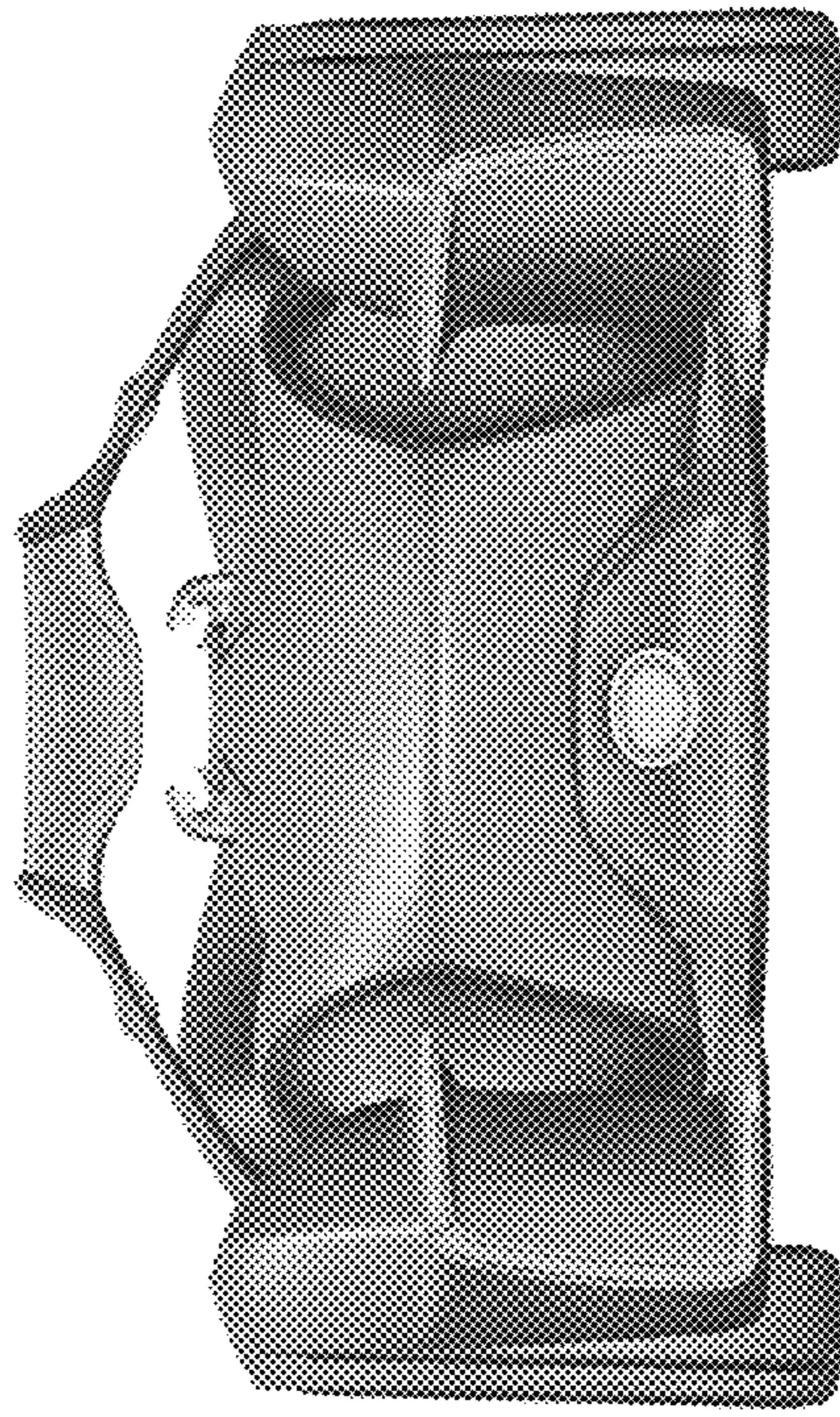


FIG. 3

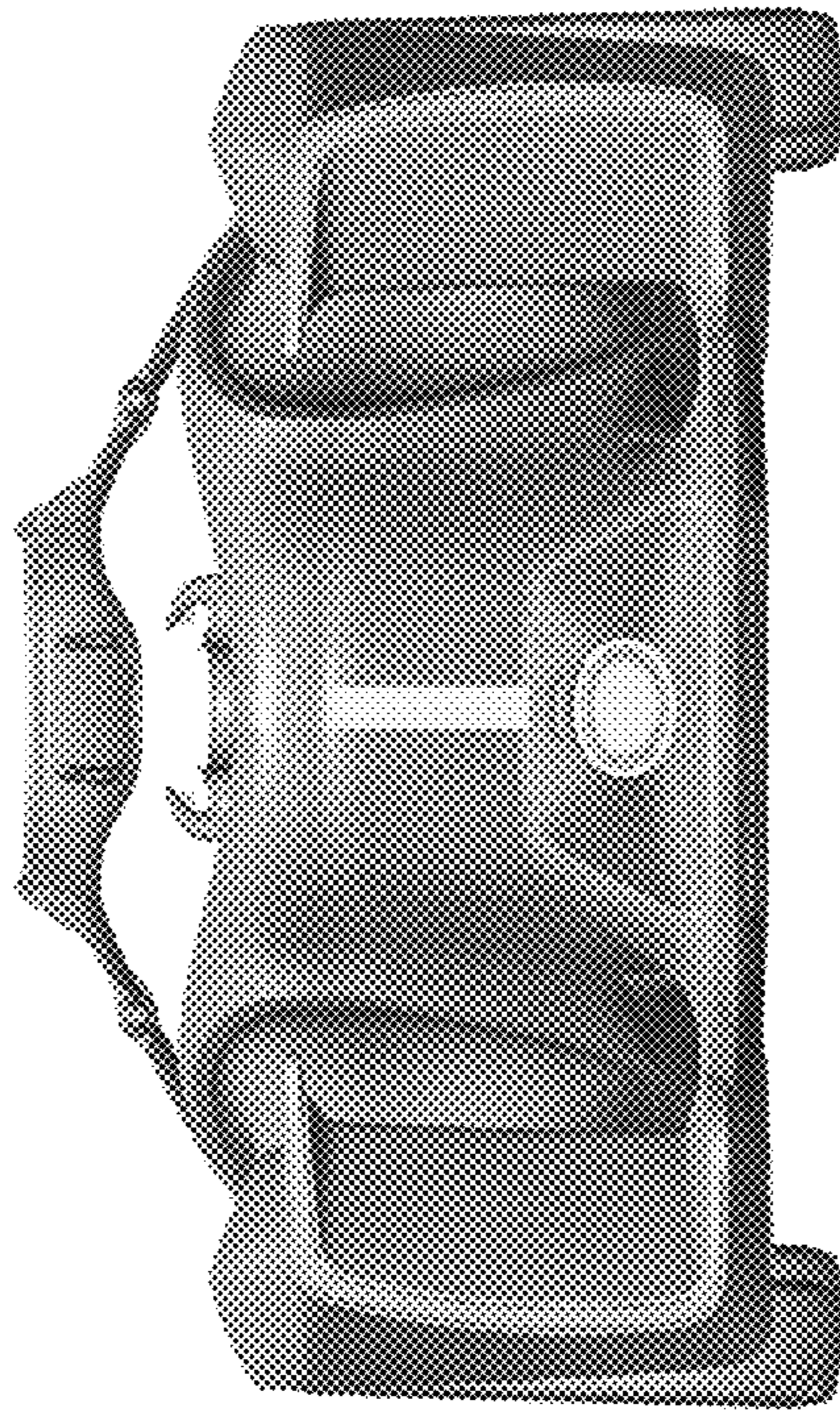


FIG. 4

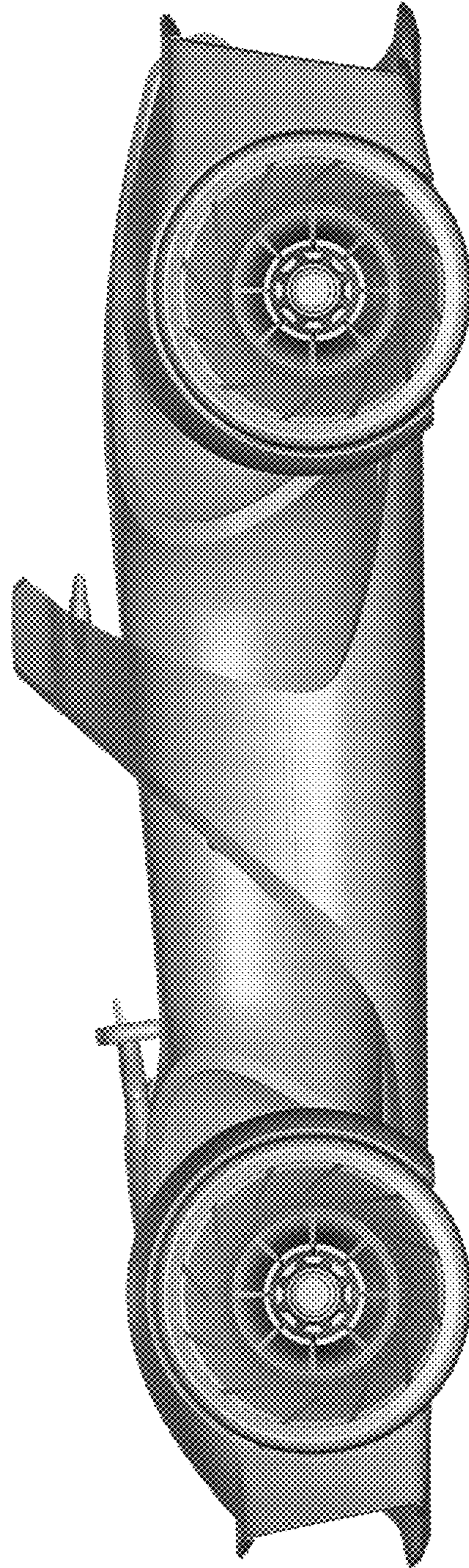


FIG. 5

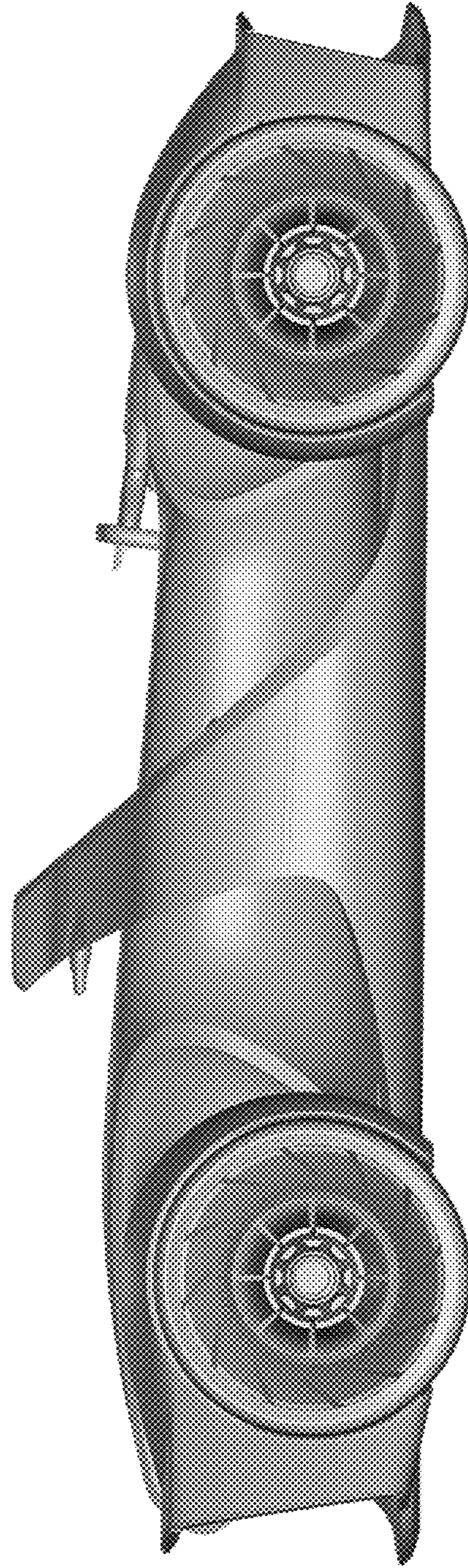


FIG. 6

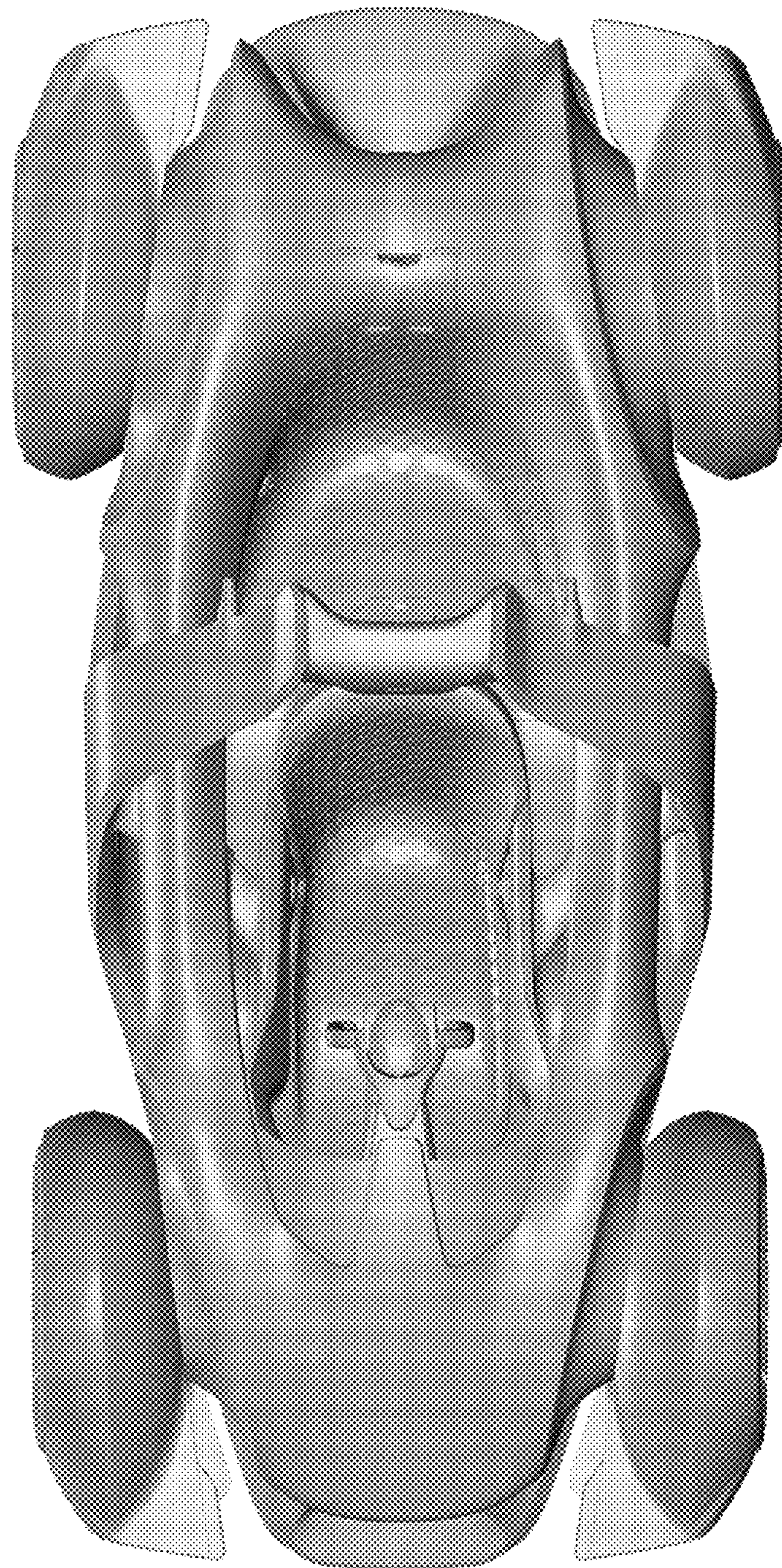


FIG. 7

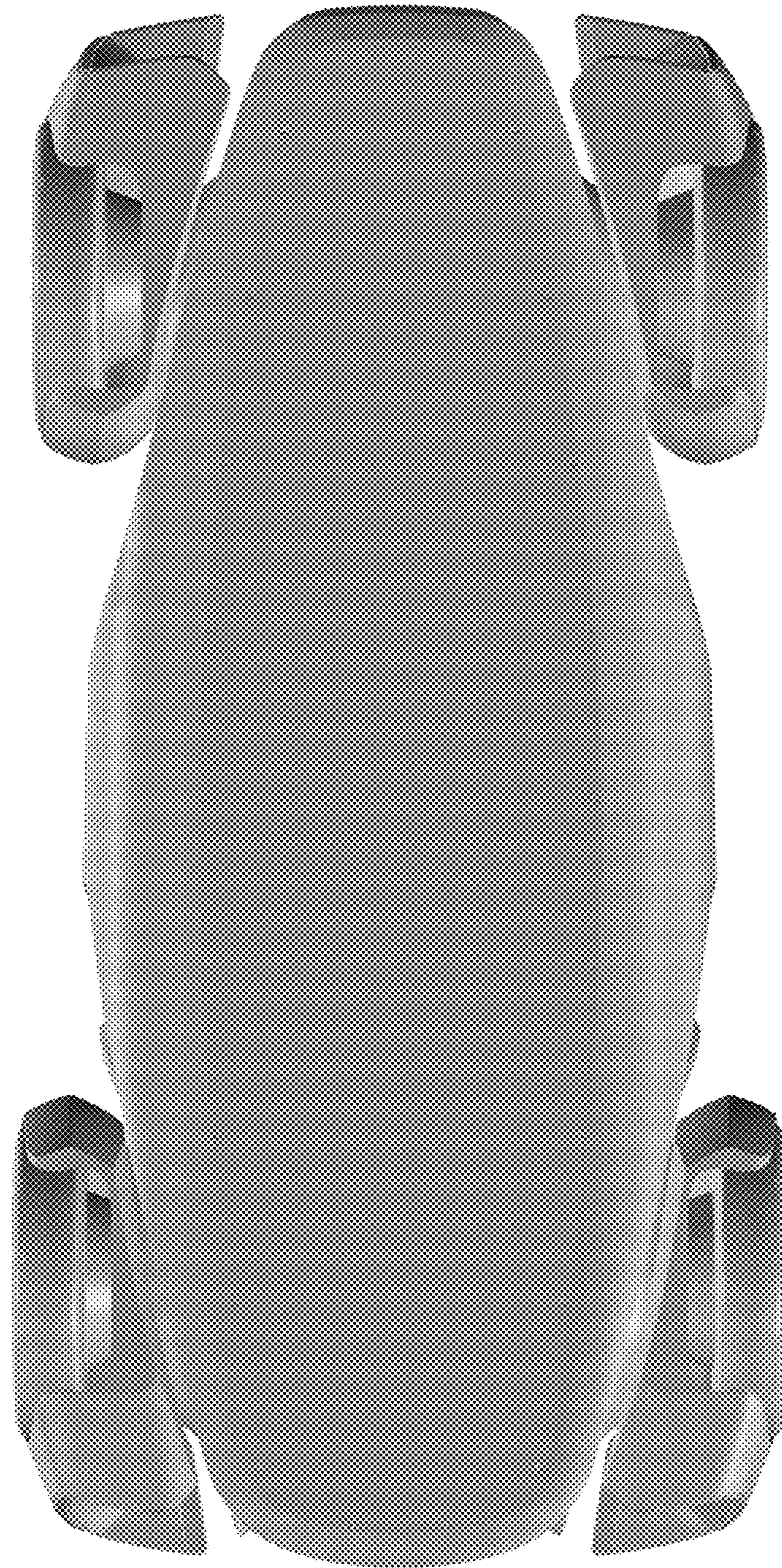


FIG. 8