



US00D930504S

(12) **United States Design Patent**
Wang

(10) **Patent No.:** **US D930,504 S**
(45) **Date of Patent:** **** Sep. 14, 2021**

(54) **ELECTRIC TRACTOR**
(71) Applicant: **INTRADIN (SHANGHAI) MACHINERY CO., LTD.**, Shanghai (CN)
(72) Inventor: **Junliang Wang**, Shanghai (CN)
(73) Assignee: **INTRADIN (SHANGHAI) MACHINERY CO., LTD.**, Shanghai (CN)
(**) Term: **15 Years**
(21) Appl. No.: **29/734,802**
(22) Filed: **May 15, 2020**
(30) **Foreign Application Priority Data**

Nov. 26, 2019 (CN) 201930654003.0

(51) **LOC (13) Cl.** **12-08**
(52) **U.S. Cl.**
USPC **D12/85**; D12/1
(58) **Field of Classification Search**
USPC D15/10-33; D12/85, 1, 14, 19, 16
CPC B60L 3/00; B60L 3/02; B60L 3/16; B62D 51/04; B62D 51/00; B62D 49/007; B62B 5/005; B62B 5/0079; Y10S 180/904
See application file for complete search history.

(56) **References Cited**
U.S. PATENT DOCUMENTS

D199,384 S * 10/1964 Layher D12/85
D243,161 S * 1/1977 Tolar D12/1
D267,084 S * 11/1982 Bittinger D12/85
D355,148 S * 2/1995 Orsolini D12/1
D413,550 S * 9/1999 Otterson D12/1
6,871,714 B2 * 3/2005 Johnson A61G 7/08
180/19.2

7,395,886 B2 * 7/2008 Berg A47F 10/04
180/19.2
D587,173 S * 2/2009 Laymaster D12/128
7,597,522 B2 * 10/2009 Bortrager B66F 9/065
414/347
7,712,558 B2 * 5/2010 Helson B62B 5/0079
180/19.3
7,918,294 B2 * 4/2011 Smith B62D 49/007
180/19.1
8,616,310 B2 * 12/2013 Lopez B62D 49/00
180/65.1
D699,626 S * 2/2014 Nam D12/1
D735,608 S * 8/2015 Cao D12/1
D774,940 S * 12/2016 de la Gandara D12/1
D836,728 S * 12/2018 Liu D21/423
D837,855 S * 1/2019 Chen D15/199
D845,833 S * 4/2019 Asai D12/1
10,883,281 B2 * 1/2021 Carlei B62B 3/02
2009/0020369 A1 * 1/2009 Warachka B66F 9/07522
187/231
2009/0205882 A1 * 8/2009 Smith B62D 49/007
180/14.6

(Continued)

Primary Examiner — Mark A Goodwin

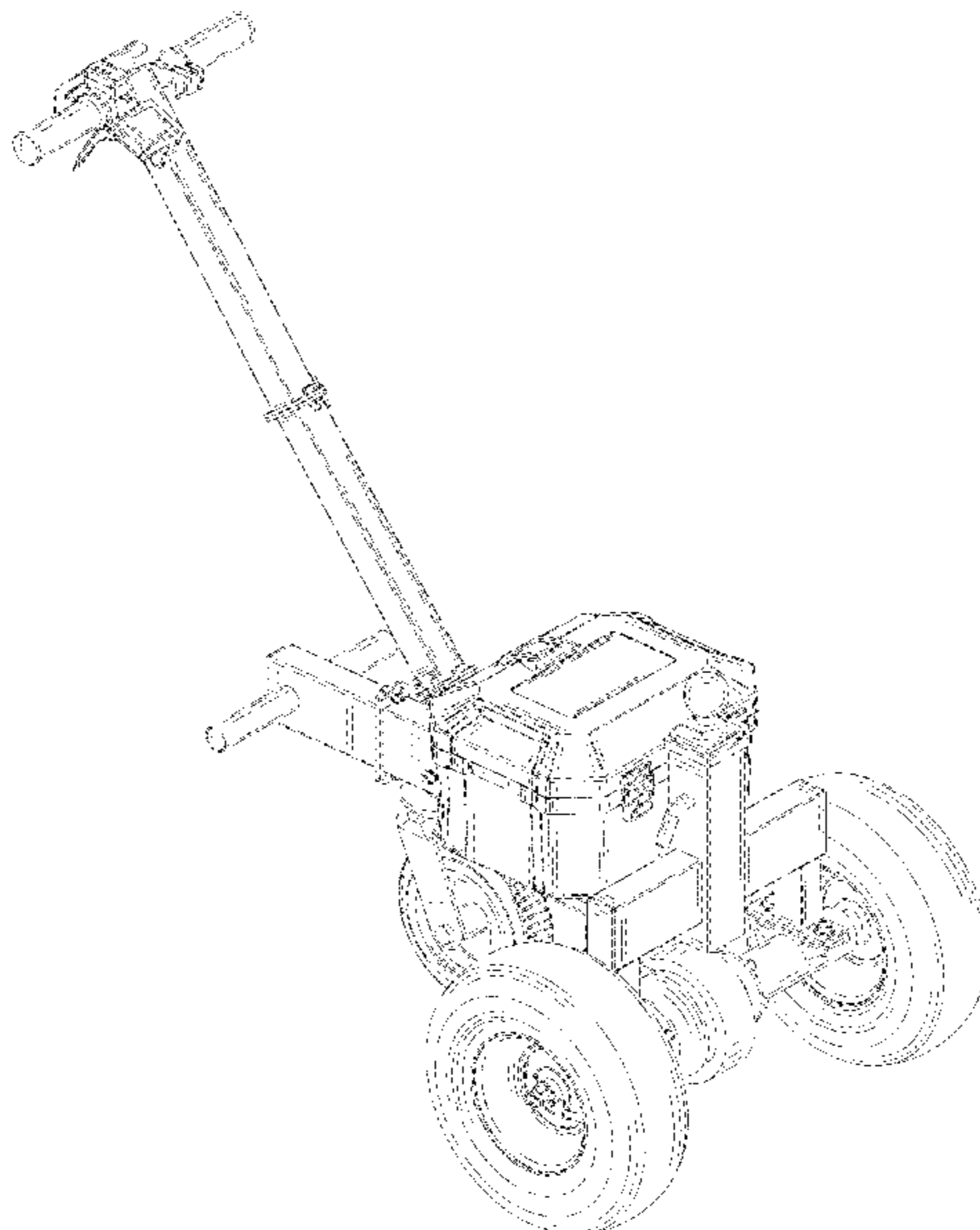
(57) **CLAIM**

The ornamental design for an electric tractor, as shown and described.

DESCRIPTION

FIG. 1 is a perspective view of an electric tractor showing my new design;
FIG. 2 is another perspective view thereof;
FIG. 3 is a front elevation view thereof;
FIG. 4 is a back elevation view thereof;
FIG. 5 is a left side view thereof;
FIG. 6 is a right side view thereof;
FIG. 7 is a top plan view thereof; and,
FIG. 8 is a bottom plan view thereof.
The broken lines in the drawings illustrate portions of the electric tractor and form no part of the claimed design.

1 Claim, 8 Drawing Sheets



(56)

References Cited

U.S. PATENT DOCUMENTS

2012/0006605 A1* 1/2012 Warachka B66F 9/12
180/65.6
2012/0181095 A1* 7/2012 Lopez B60L 8/003
180/2.2
2021/0155299 A1* 5/2021 Wang B60T 7/102

* cited by examiner

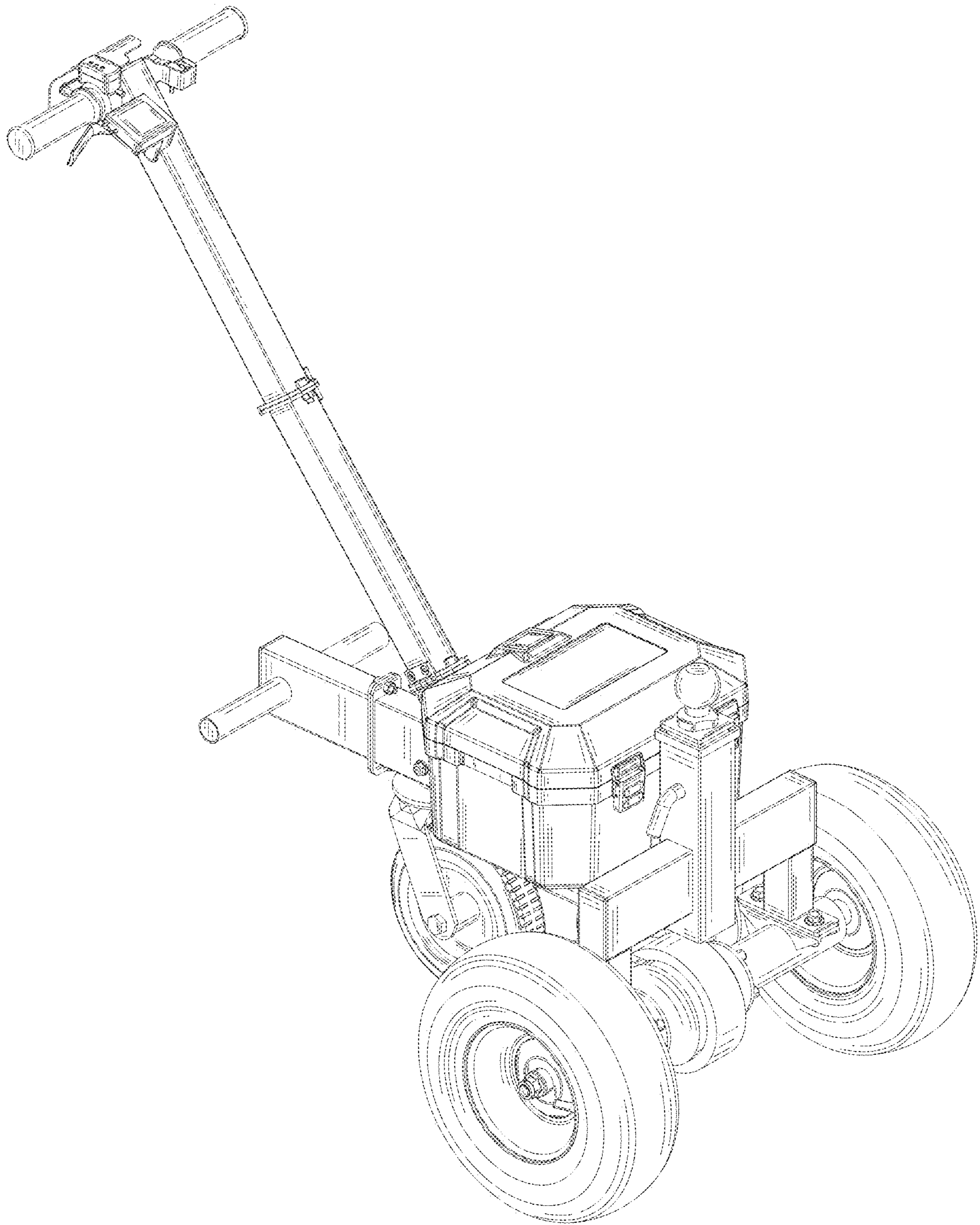


FIG. 1

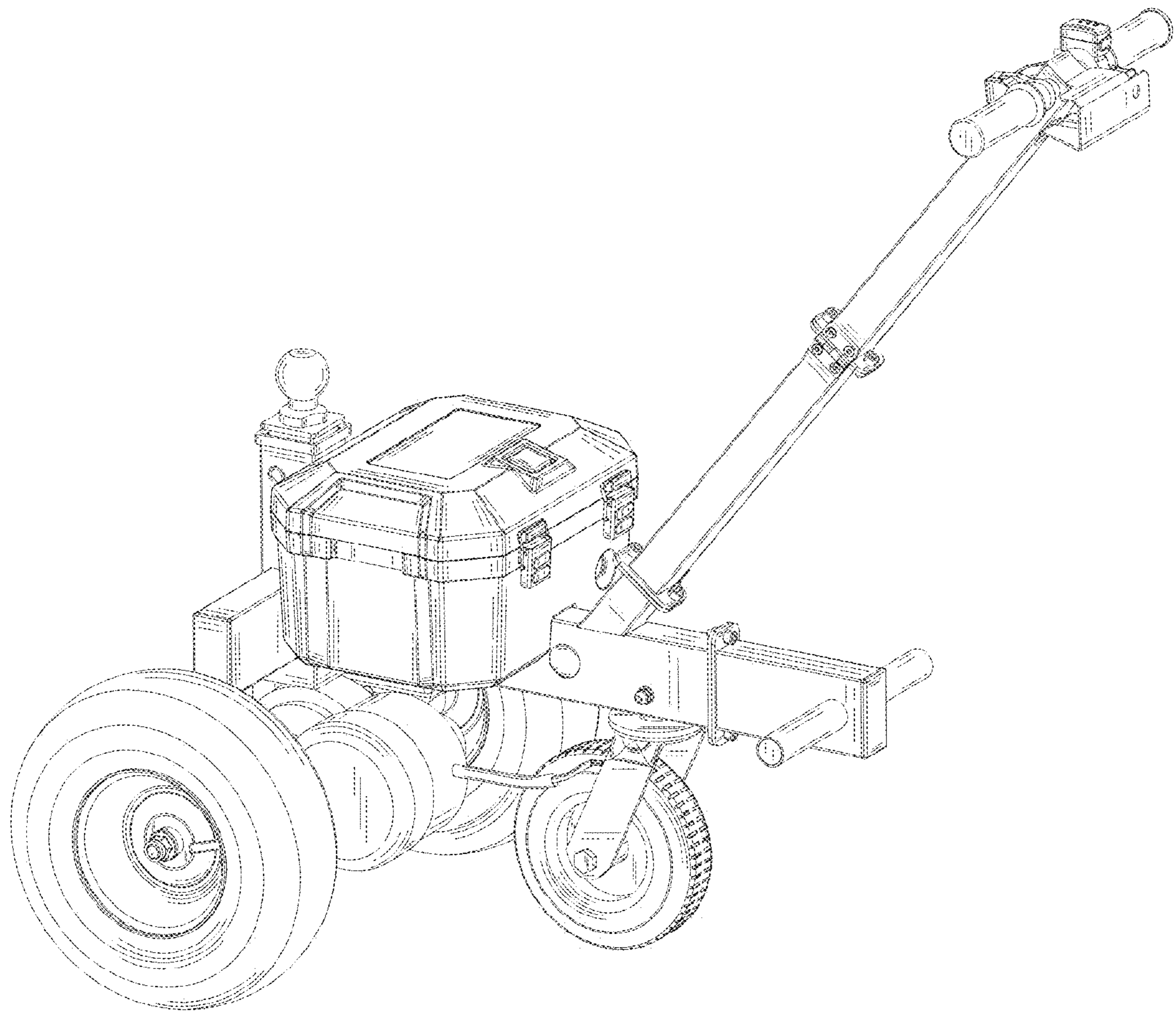


FIG. 2

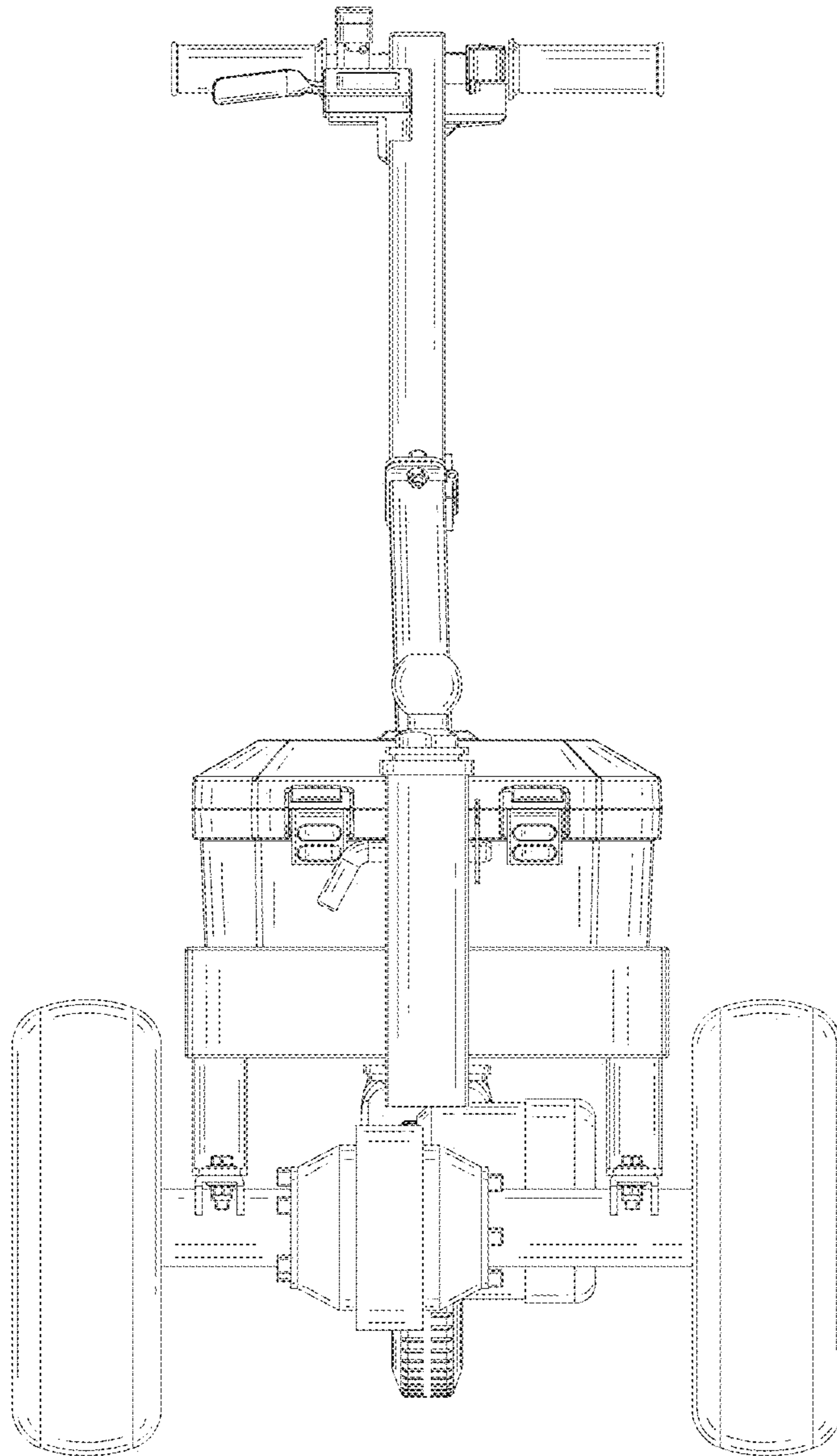


FIG. 3

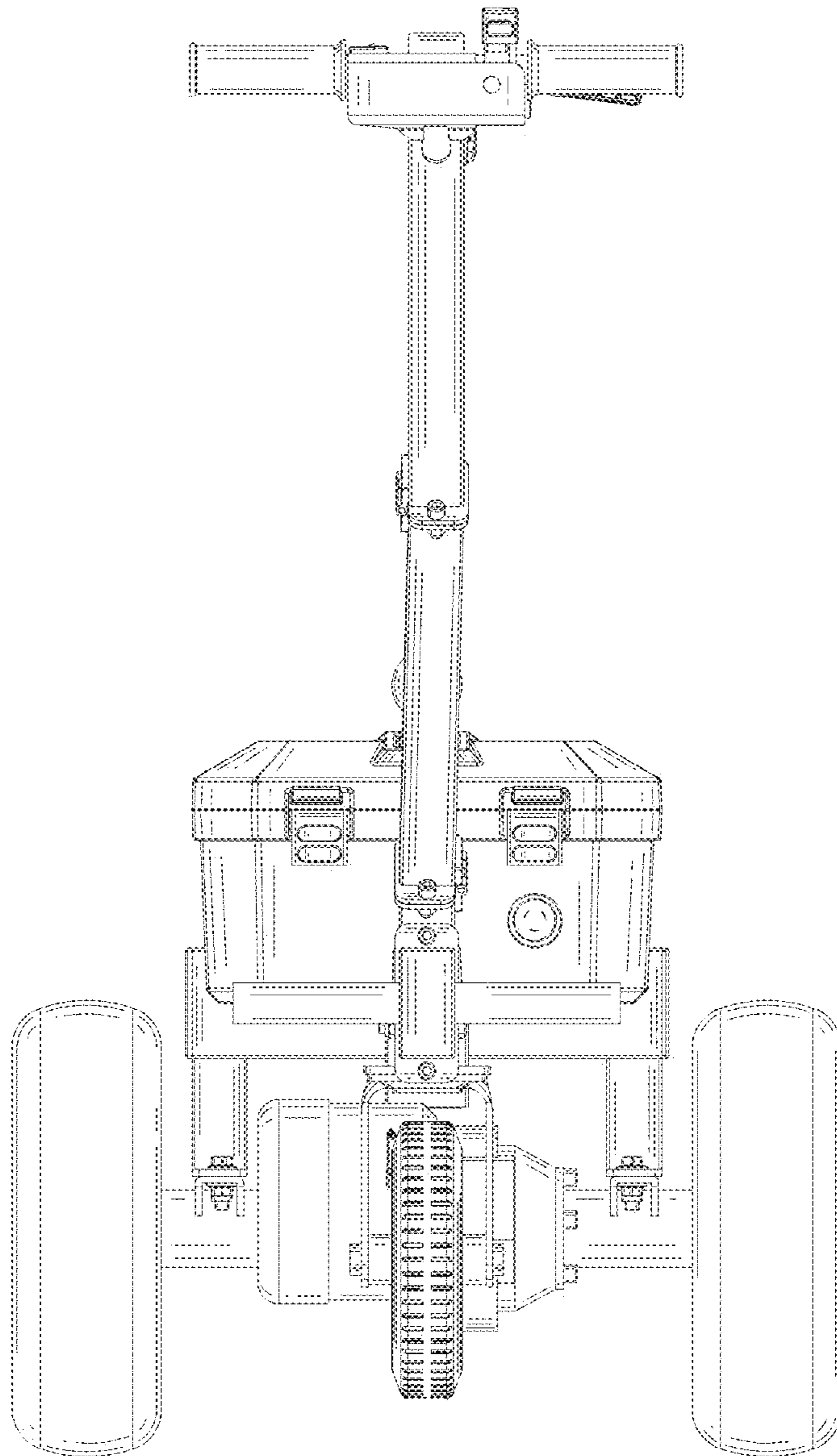


FIG. 4

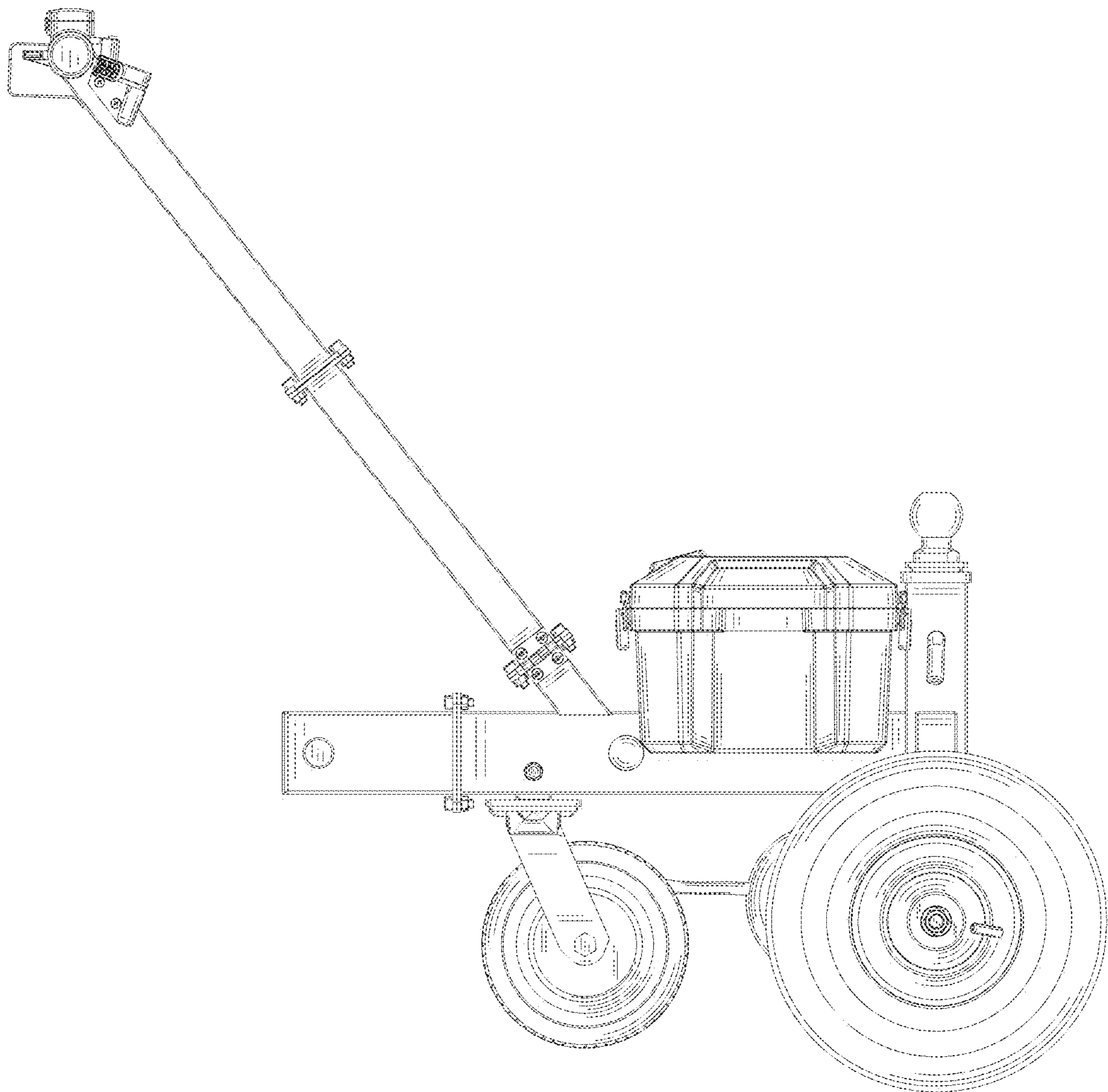


FIG. 5

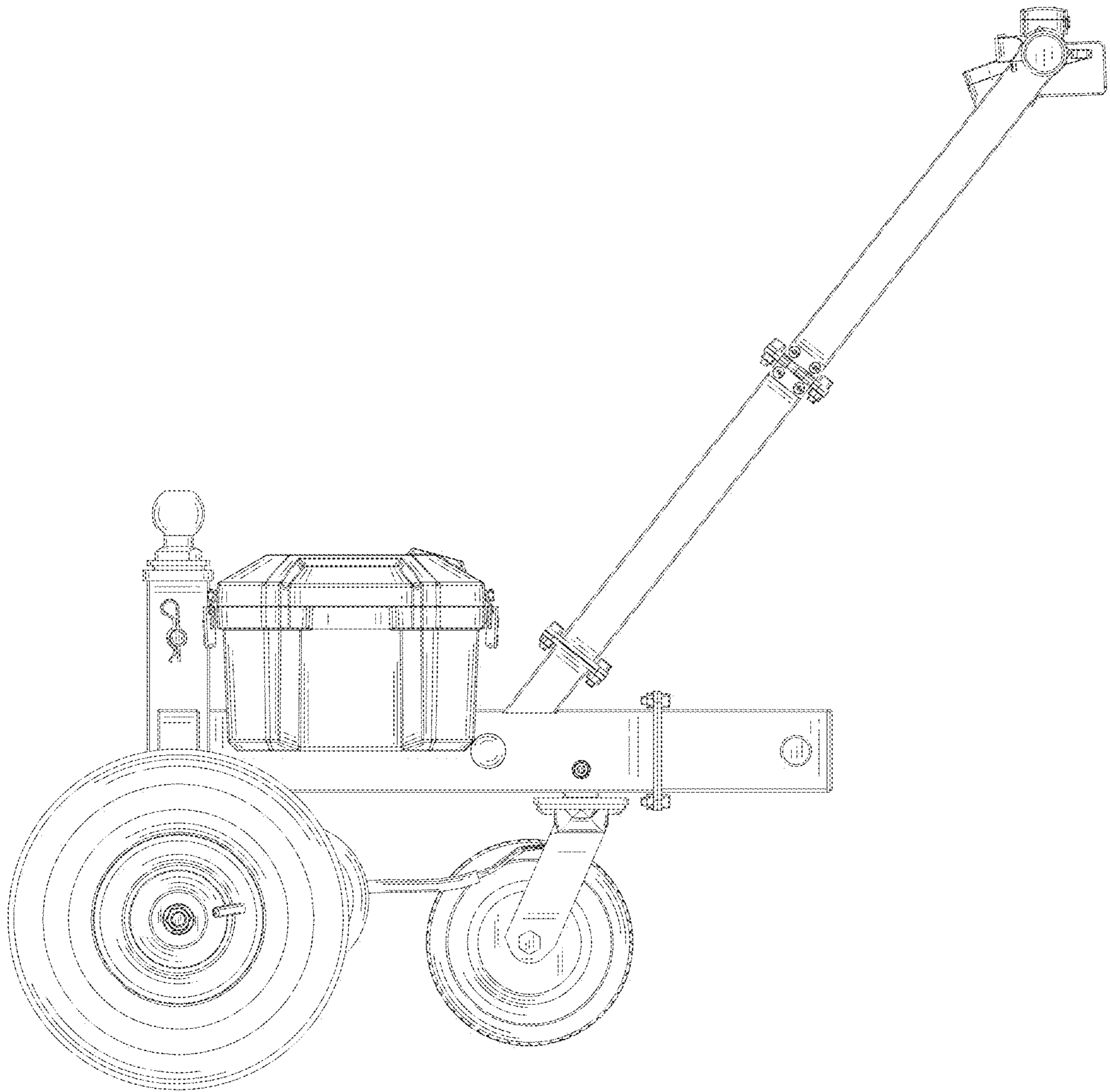


FIG. 6

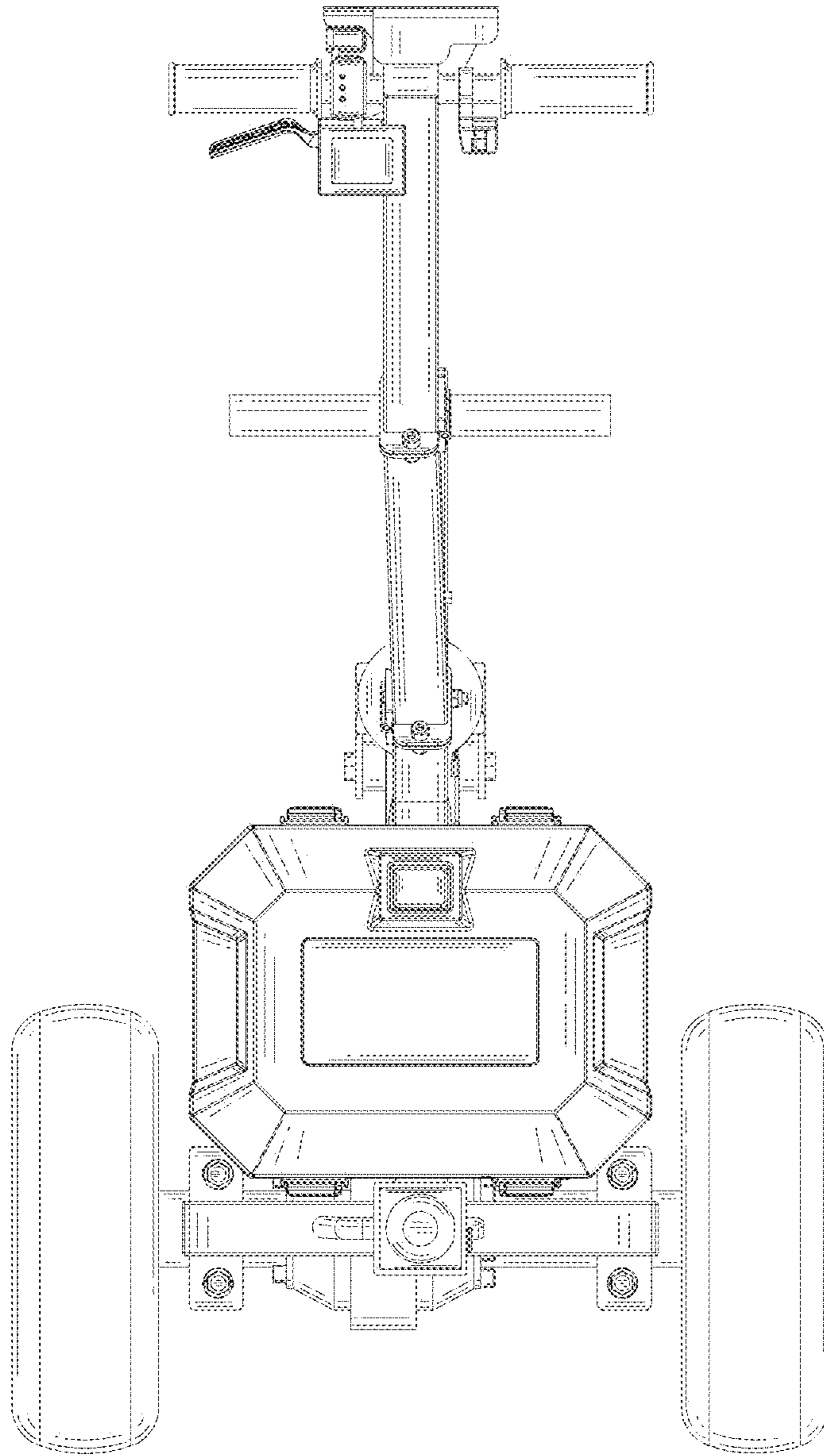


FIG. 7

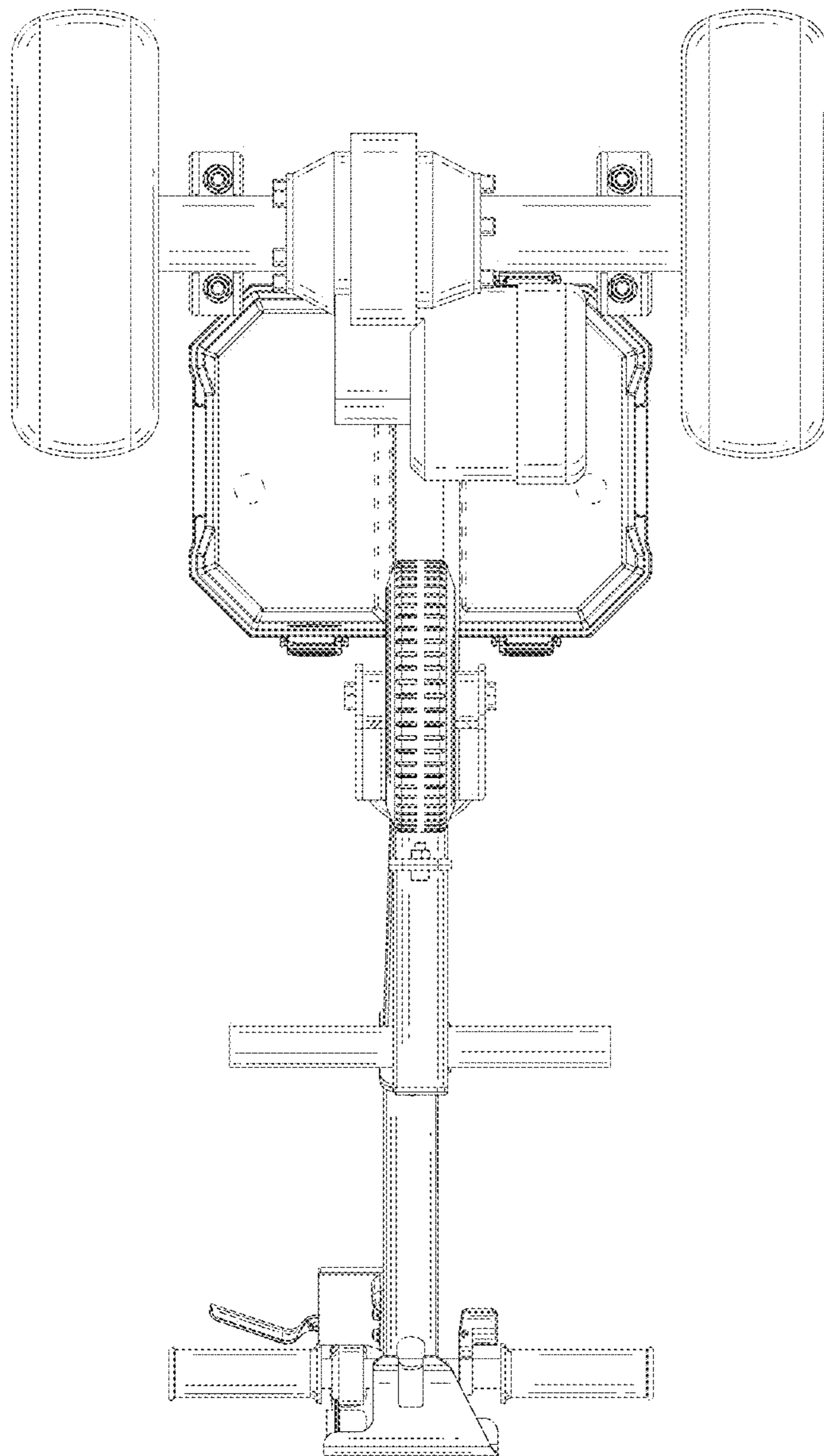


FIG. 8