

US00D930503S

(12) **United States Design Patent**
Hankinson

(10) **Patent No.:** **US D930,503 S**

(45) **Date of Patent:** **** Sep. 14, 2021**

(54) **RAILROAD CAR COUPLER ASSEMBLY**
KNUCKLE PIN

(71) Applicant: **Standard Car Truck Company,**
Rosemont, IL (US)

(72) Inventor: **Stephen Hankinson,** Mars, PA (US)

(73) Assignee: **STANDARD CAR TRUCK**
COMPANY, Rosemont, IL (US)

(**) Term: **15 Years**

(21) Appl. No.: **29/653,953**

(22) Filed: **Jun. 20, 2018**

(51) **LOC (13) Cl.** **12-03**

(52) **U.S. Cl.**
USPC **D12/48**

(58) **Field of Classification Search**
USPC D12/36-51; D8/382, 356, 388, 391
CPC ... B61G 7/00; B61G 3/04; B61G 3/06; B61G
3/22

See application file for complete search history.

(56) **References Cited**

U.S. PATENT DOCUMENTS

401,775	A *	4/1889	Coup	B61G 3/04
					213/150
440,586	A *	11/1890	Eastwick, Jr.	B61G 3/04
					213/155
478,446	A	7/1892	Ludlow		
517,950	A *	4/1894	Hinton	B61G 3/06
					213/147
549,363	A *	11/1895	Ide	B61G 7/00
					213/156
577,389	A	2/1897	Reagan		
D33,756	S *	12/1900	Hien	D12/48
732,887	A *	7/1903	Parish	B61G 3/04
					213/155

804,289	A *	11/1905	Willison	B61G 7/00
					213/156
820,048	A *	5/1906	Janney	B61G 7/00
					213/156
927,423	A *	7/1909	Moritz	B61G 3/06
					213/119
1,089,396	A	3/1914	Coleman		
1,093,858	A *	4/1914	Janney	B61G 3/04
					213/155
2,857,057	A	10/1958	Metzger		
4,345,848	A *	8/1982	Cheselka	G02C 5/2281
					16/228

(Continued)

Primary Examiner — Ania Aman

(74) *Attorney, Agent, or Firm* — McCoy Russell LLP

(57) **CLAIM**

The ornamental design for a railroad car coupler assembly knuckle pin, as shown and described.

DESCRIPTION

FIG. 1 is a first front perspective view of a railroad car coupler assembly knuckle pin showing my new design.

FIG. 2 is a second front perspective view of a railroad car coupler assembly knuckle of FIG. 1.

FIG. 3 is a front side view of the railroad car coupler assembly knuckle pin of FIG. 1.

FIG. 4 is a rear side view of the railroad car coupler assembly knuckle pin of FIG. 1.

FIG. 5 is a right side view of the railroad car coupler assembly knuckle pin of FIG. 1.

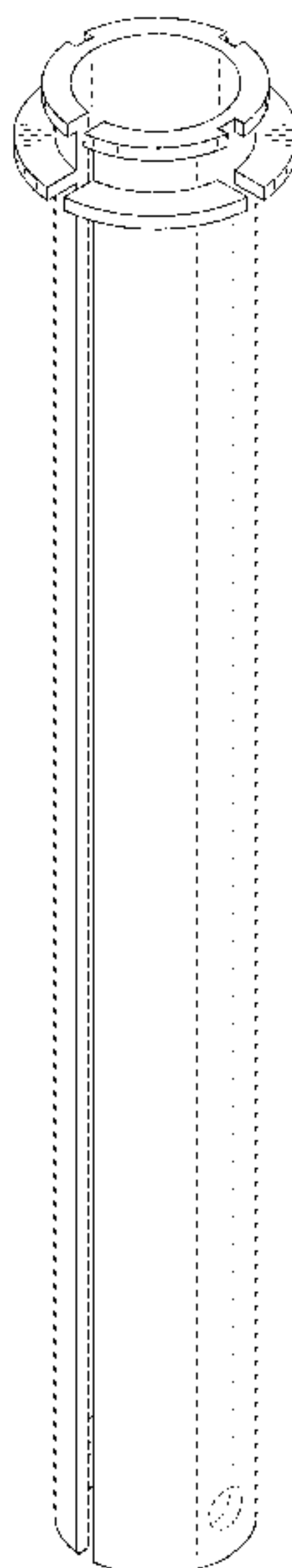
FIG. 6 is a left side view of the railroad car coupler assembly knuckle pin of FIG. 1.

FIG. 7 is a top view of the railroad car coupler assembly knuckle pin of FIG. 1; and,

FIG. 8 is a bottom view of the railroad car coupler assembly knuckle pin of FIG. 1.

The broken lines shown in the views depict environmental subject matter only and form no part of the claimed design.

1 Claim, 5 Drawing Sheets



(56)

References Cited

U.S. PATENT DOCUMENTS

4,502,818 A * 3/1985 Elders E21D 21/004
405/259.3

4,640,422 A 2/1987 Elliott

4,976,363 A 12/1990 Altherr

5,145,076 A 9/1992 Murphy et al.

5,630,519 A 5/1997 Burke et al.

6,062,406 A * 5/2000 Duncan B61G 7/00
213/156

6,488,163 B1 * 12/2002 Wurzer B61G 3/04
213/155

6,568,894 B2 * 5/2003 Golden F16B 21/12
411/349

6,872,039 B2 * 3/2005 Baus F16B 21/125
411/347

D586,286 S * 2/2009 Anderson D12/217

7,896,179 B2 3/2011 Hanaway

8,910,808 B2 12/2014 Halford et al.

D770,884 S * 11/2016 Moreau D8/382

10,196,846 B2 * 2/2019 Vierke E05D 3/02

2003/0037422 A1 * 2/2003 Brueckert B61G 7/00
29/402.18

2009/0289021 A1 * 11/2009 Smerecky B61G 3/06
213/151

2011/0168655 A1 * 7/2011 Nibouar B61G 3/04
213/100 R

2020/0239046 A1 * 7/2020 Brook B61G 3/04

* cited by examiner

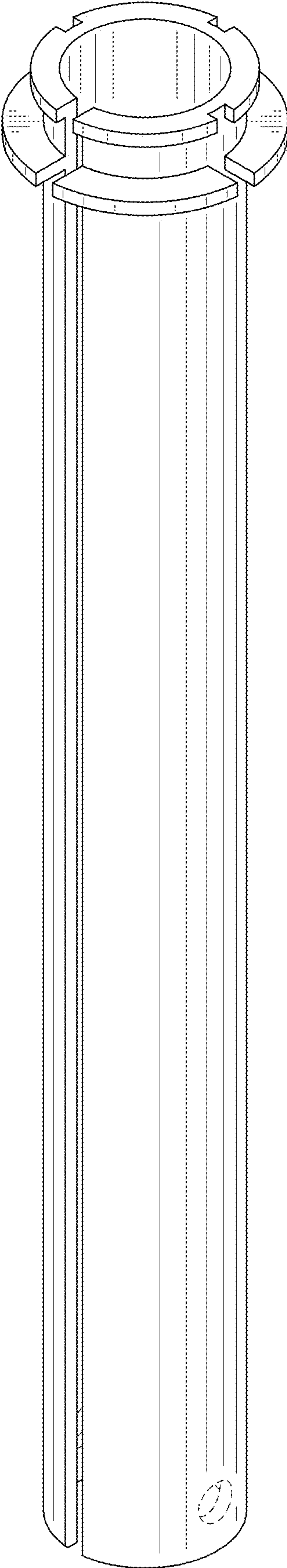


FIG. 1

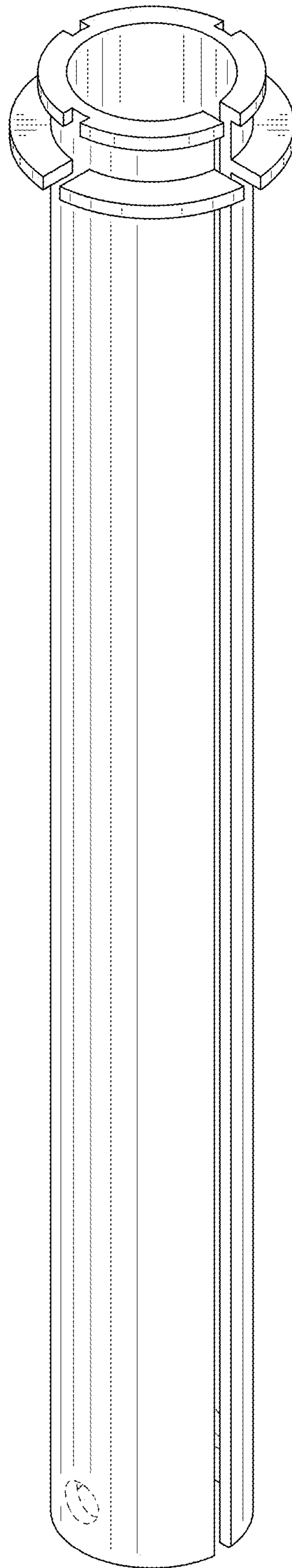


FIG. 2

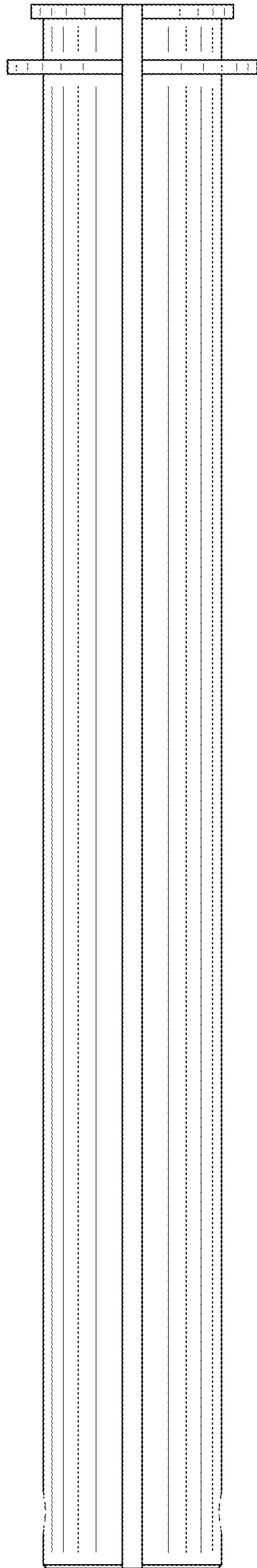


FIG. 3

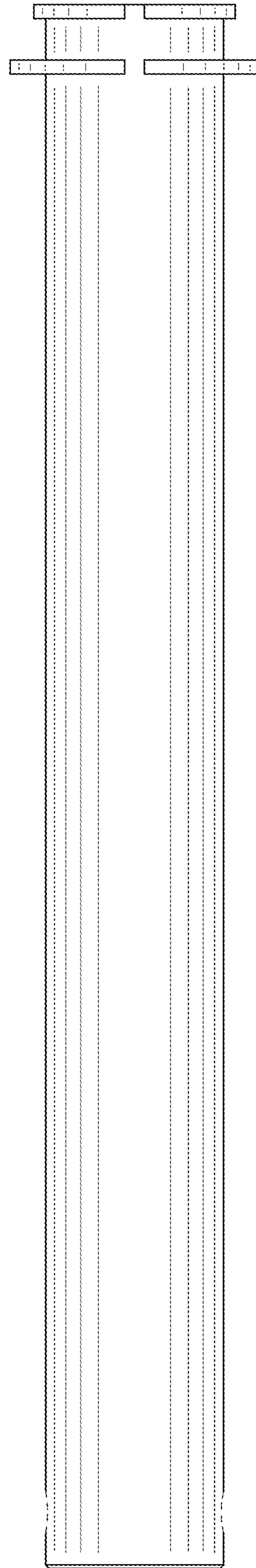


FIG. 4

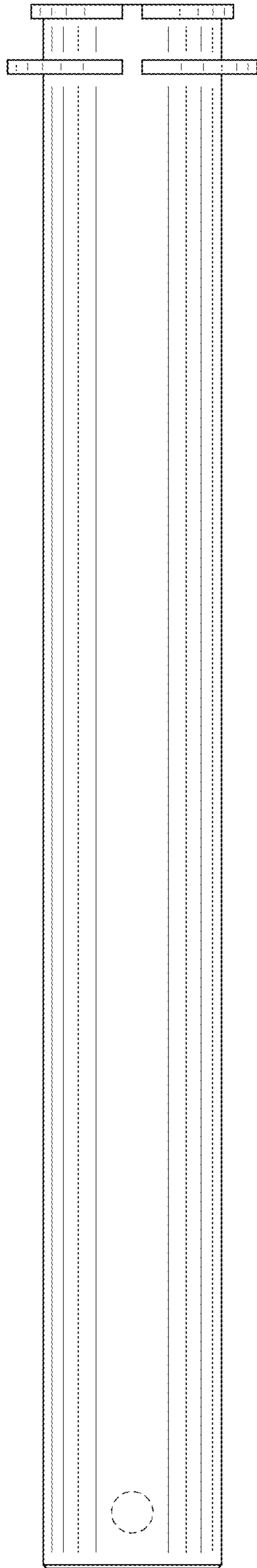


FIG. 5

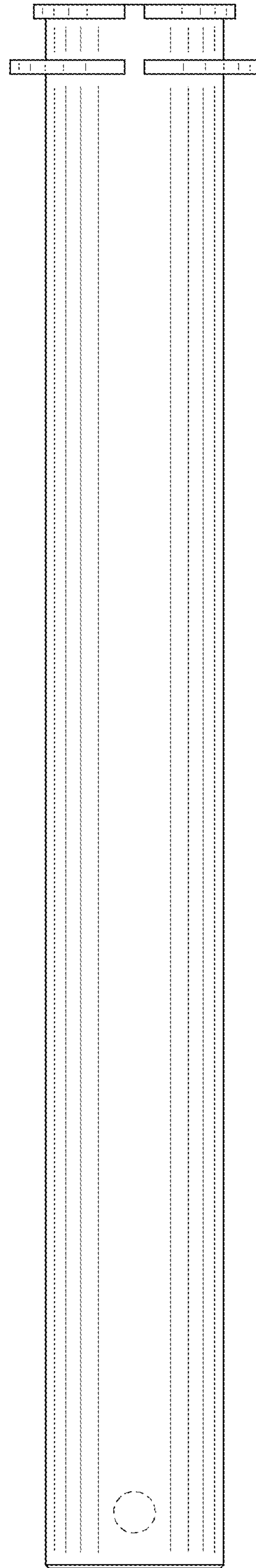


FIG. 6

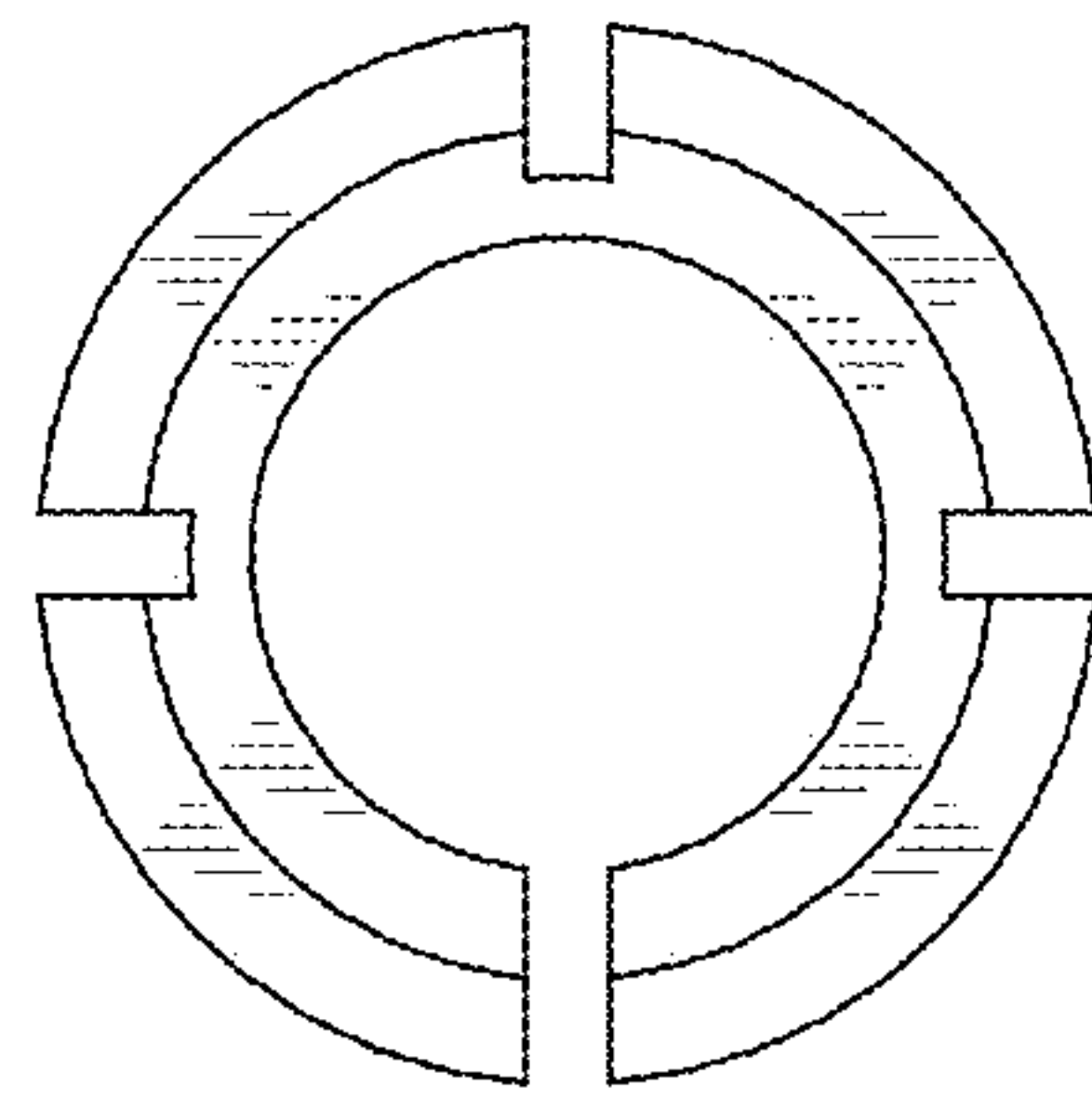


FIG. 7

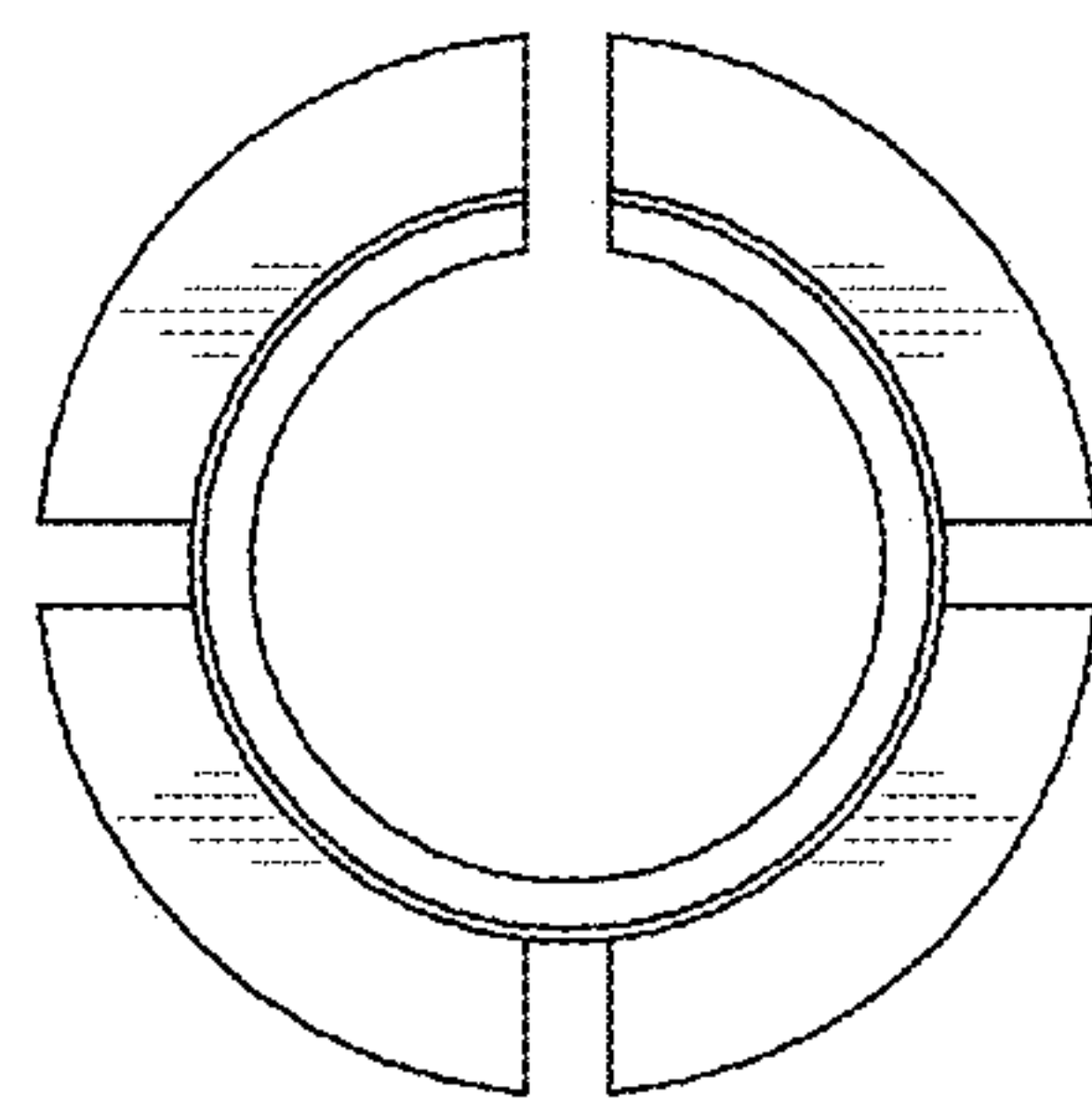


FIG. 8