



US00D930502S

(12) **United States Design Patent** (10) **Patent No.:** **US D930,502 S**
Conny (45) **Date of Patent:** **** Sep. 14, 2021**

(54) **DUMP BODY WITH ANGLED CORNER**

FOREIGN PATENT DOCUMENTS

(71) Applicant: **Mac Trailer Manufacturing, Inc.,**
Alliance, OH (US)

CA 2922023 A1 * 8/2017 B60P 1/04

(72) Inventor: **Michael A. Conny,** Beloit, OH (US)

OTHER PUBLICATIONS

(73) Assignee: **MAC TRAILER**
MANUFACTURING, INC., Alliance,
OH (US)

Heritage Dump Body, Published date unavailable [online], [retrieved on Mar. 29, 2021]. Retrieved from the Internet: <https://www.heritagetruck.com/products/aluminum-dump-truck-bodies/> (Year: 2021).*

(**) Term: **15 Years**

Primary Examiner — Christian P. McLean

(21) Appl. No.: **29/645,128**

Assistant Examiner — Adam C Mager

(22) Filed: **Apr. 24, 2018**

(74) *Attorney, Agent, or Firm* — Sand, Sebolt & Wernow Co., LPA

(51) **LOC (13) Cl.** **12-08**

(52) **U.S. Cl.**
USPC **D12/15**

(58) **Field of Classification Search**
USPC ... D12/1, 14, 15, 90, 91, 92, 93, 97, 98, 99,
D12/100, 101, 190, 195, 196; D21/431,
D21/537, 554, 561; D15/10, 11, 13, 19,
D15/21, 28, 33
CPC B60J 5/00; B60J 5/02; B60J 5/04; B60J
5/0491; B60J 5/0497; B60J 5/10; B60P
1/04; B60P 1/16; B60P 1/28; B60P 1/283;
B60P 1/286; B62D 33/00; B62D 33/02;
B62D 25/02; B62D 25/04
See application file for complete search history.

(57) **CLAIM**

The ornamental design for a dump body with angled corner, as shown and described.

DESCRIPTION

FIG. 1 is a right side elevation view of a dump body with angled corner in accordance with my design;
FIG. 2 is an enlarged right side elevation view of the region of FIG. 1;
FIG. 3 is a left side elevation view of the dump body with angled corner;
FIG. 4 is a top plan view thereof;
FIG. 5 is a front cross section view of the dump body with angled corner, taken along line 5-5 of FIG. 1;
FIG. 6 is a cross section of a front wall of the dump body with angled corner taken along line 6-6 of FIG. 5; and,
FIG. 7 is a top rear left partial perspective view of the dump body with angled corner.
The broken lines illustrate portions of the environmental structure which form no part of the claimed design.
The dot-dot-dash lines illustrate regions of the enlarged and section views and form no part of the claim.

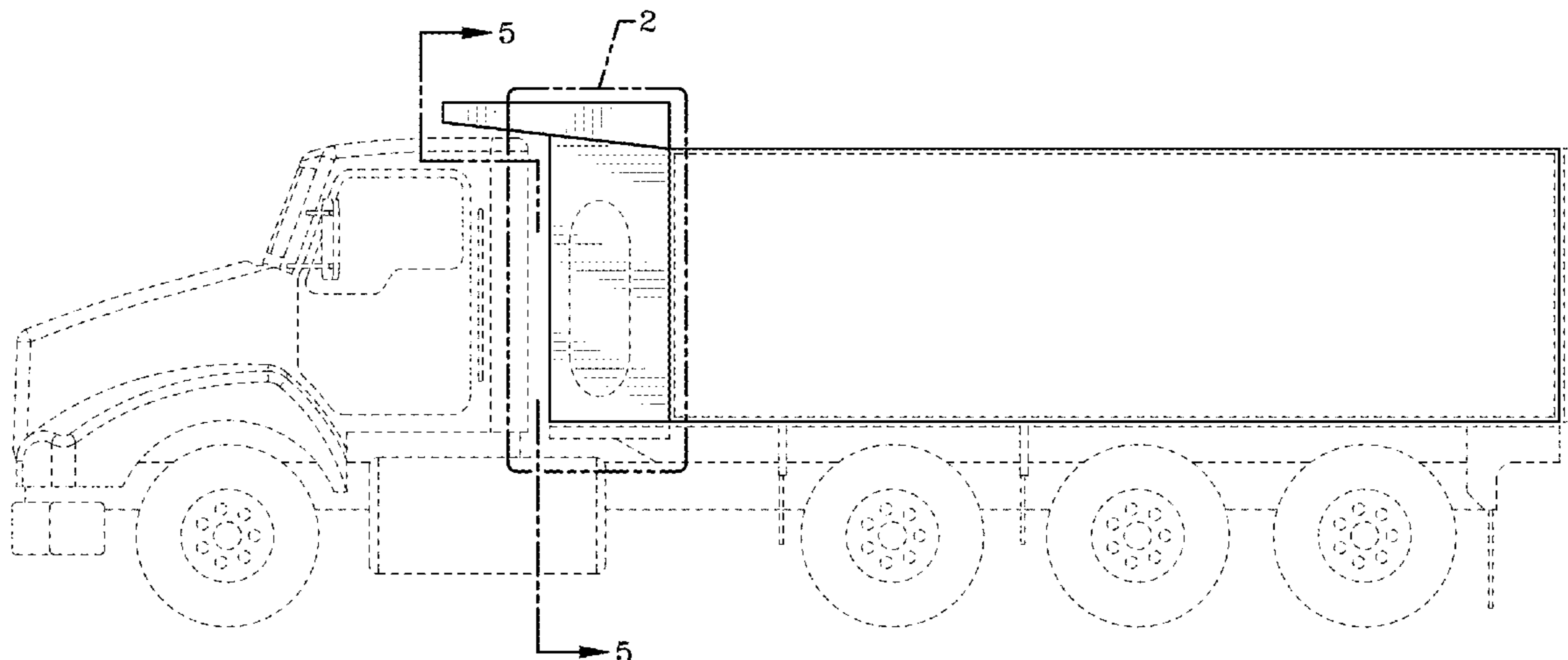
(56) **References Cited**

U.S. PATENT DOCUMENTS

- 2,034,306 A * 3/1936 Lowdermilk B60P 1/14
298/19 B
- 2,691,244 A * 10/1954 Steinke A63H 17/06
446/428
- 2,832,483 A 4/1958 Jones
- D189,025 S * 10/1960 Acker D12/15
- 2,995,399 A 8/1961 Riseborough
- 3,100,918 A 8/1963 Coverley
- 3,163,463 A * 12/1964 Femrite B62D 33/023
296/183.1

(Continued)

1 Claim, 6 Drawing Sheets



(56)

References Cited

U.S. PATENT DOCUMENTS

3,472,548 A * 10/1969 Comisac B60H 1/00014
 296/183.2
 3,571,977 A * 3/1971 Abeel E05B 51/023
 49/379
 3,747,275 A 7/1973 May et al.
 4,273,381 A * 6/1981 Bibeau B62D 33/02
 296/183.2
 4,699,428 A * 10/1987 Vick B60P 1/26
 296/183.2
 5,078,567 A 1/1992 Lombardo
 5,662,374 A * 9/1997 Wheeler B60P 1/286
 296/183.2
 5,681,095 A * 10/1997 Martin B60P 1/286
 220/691
 D450,627 S * 11/2001 Musso, Jr. D12/15
 9,102,466 B2 8/2015 Neufeldt
 D902,082 S * 11/2020 Sweeney D12/101
 2017/0246974 A1 * 8/2017 Lemaire B60P 1/26
 2019/0149814 A1 5/2019 Friend et al.
 2019/0217764 A1 * 7/2019 Conny B60P 1/16
 2019/0389272 A1 * 12/2019 Kesani B60P 1/28
 2020/0391643 A1 * 12/2020 Sweeney B60P 1/16

* cited by examiner

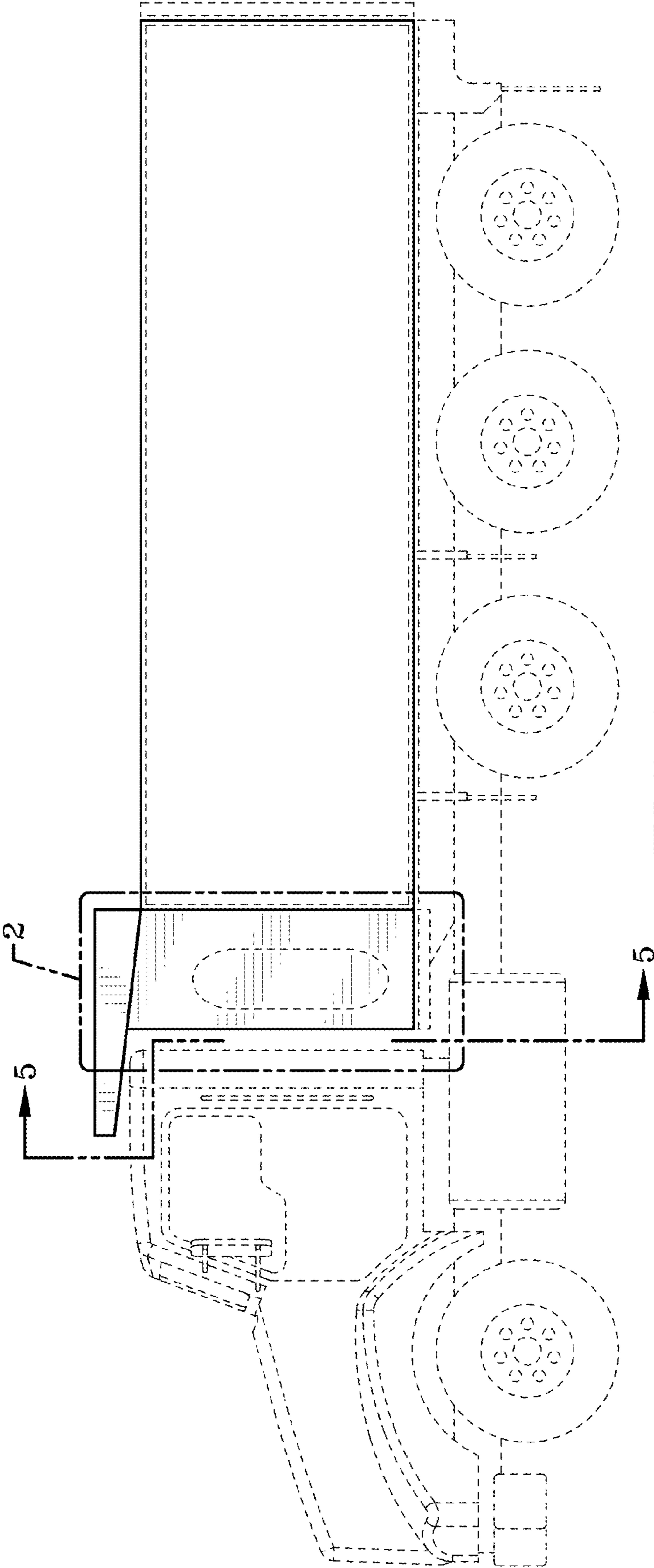


FIG. 1

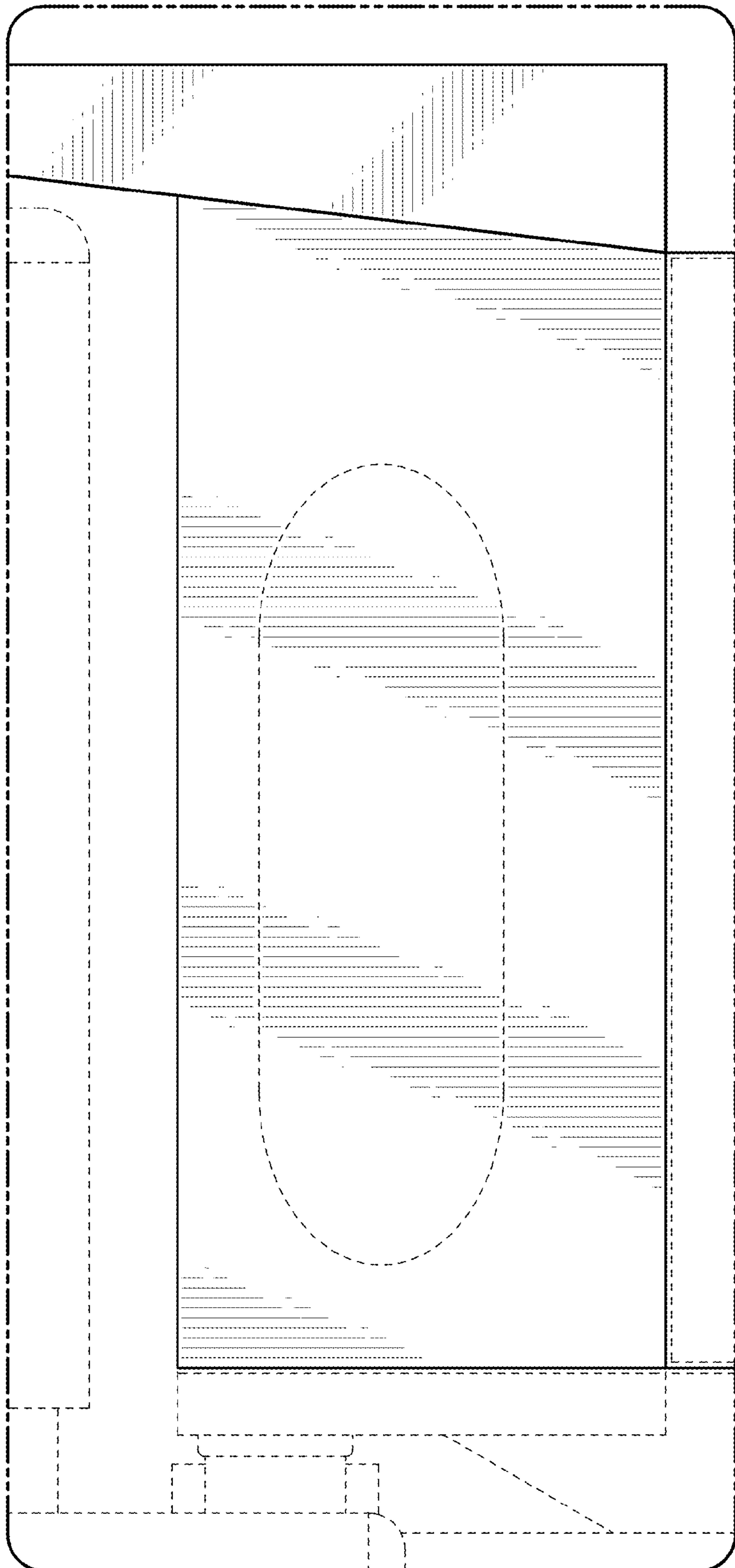


FIG. 2

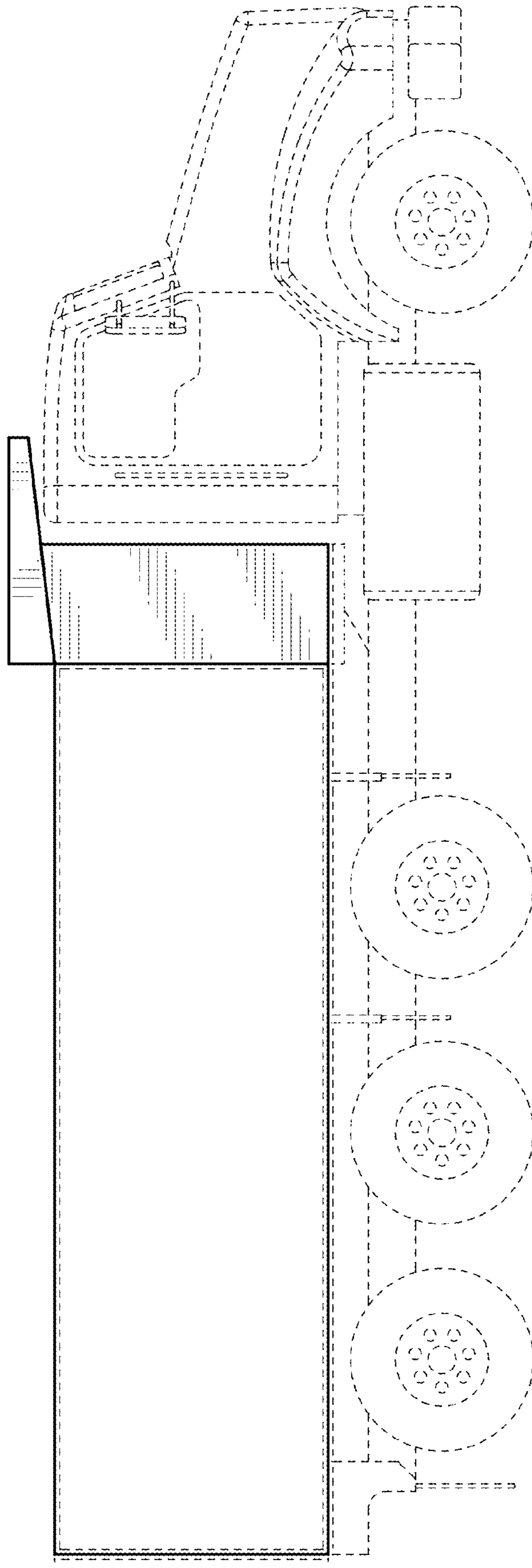


FIG. 3

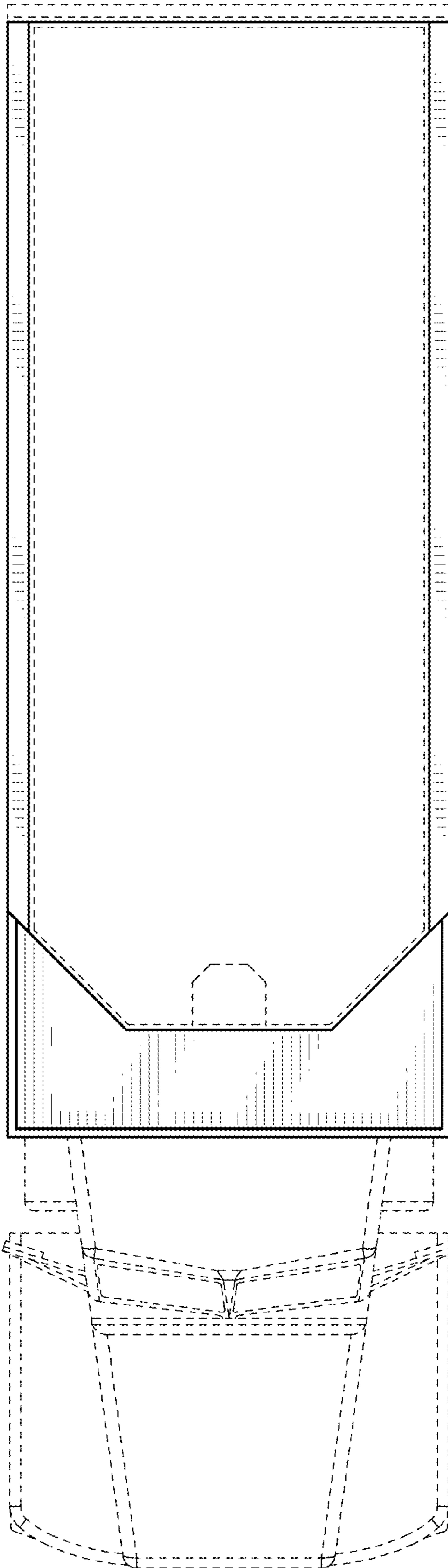


FIG. 4

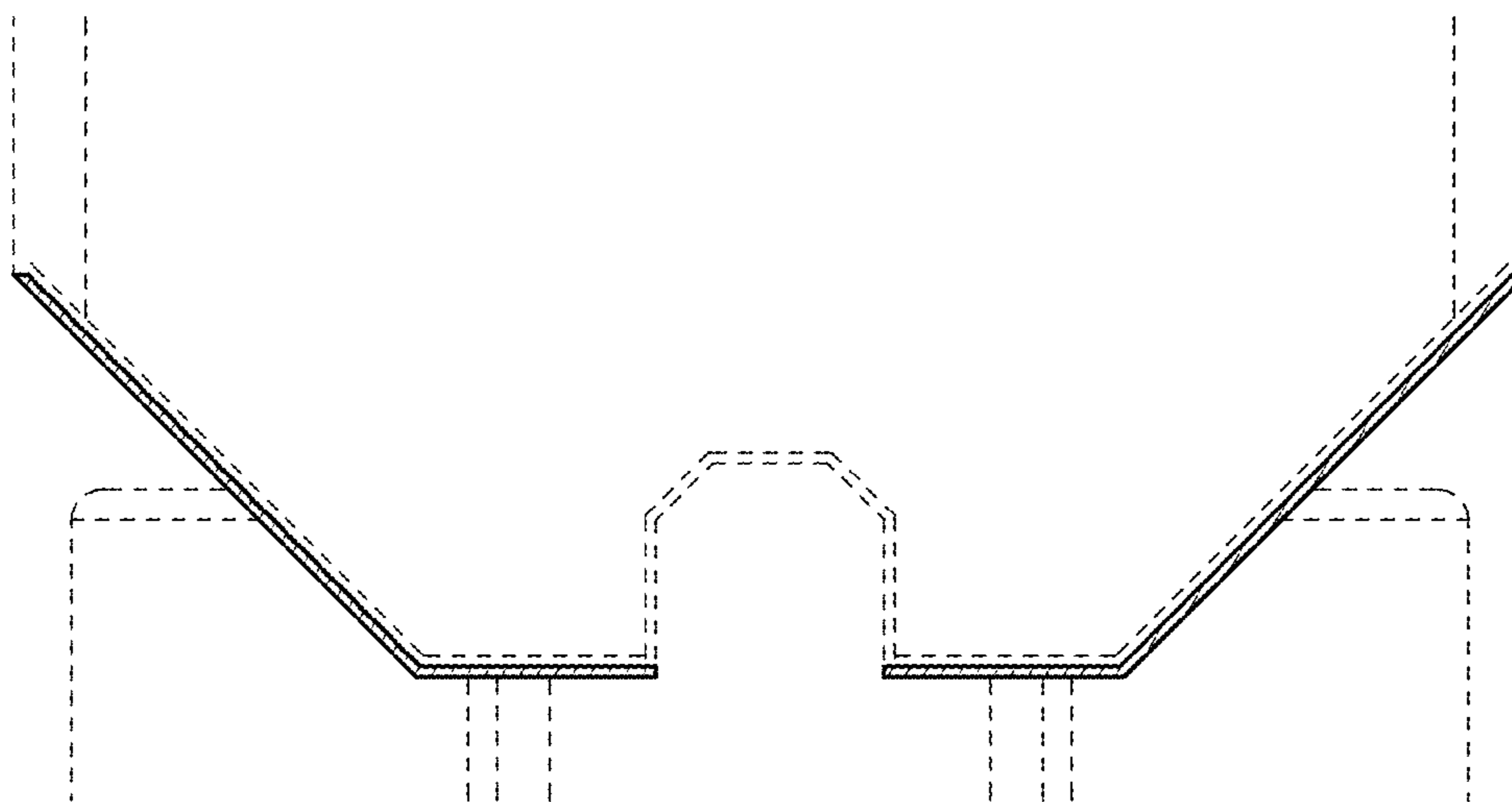
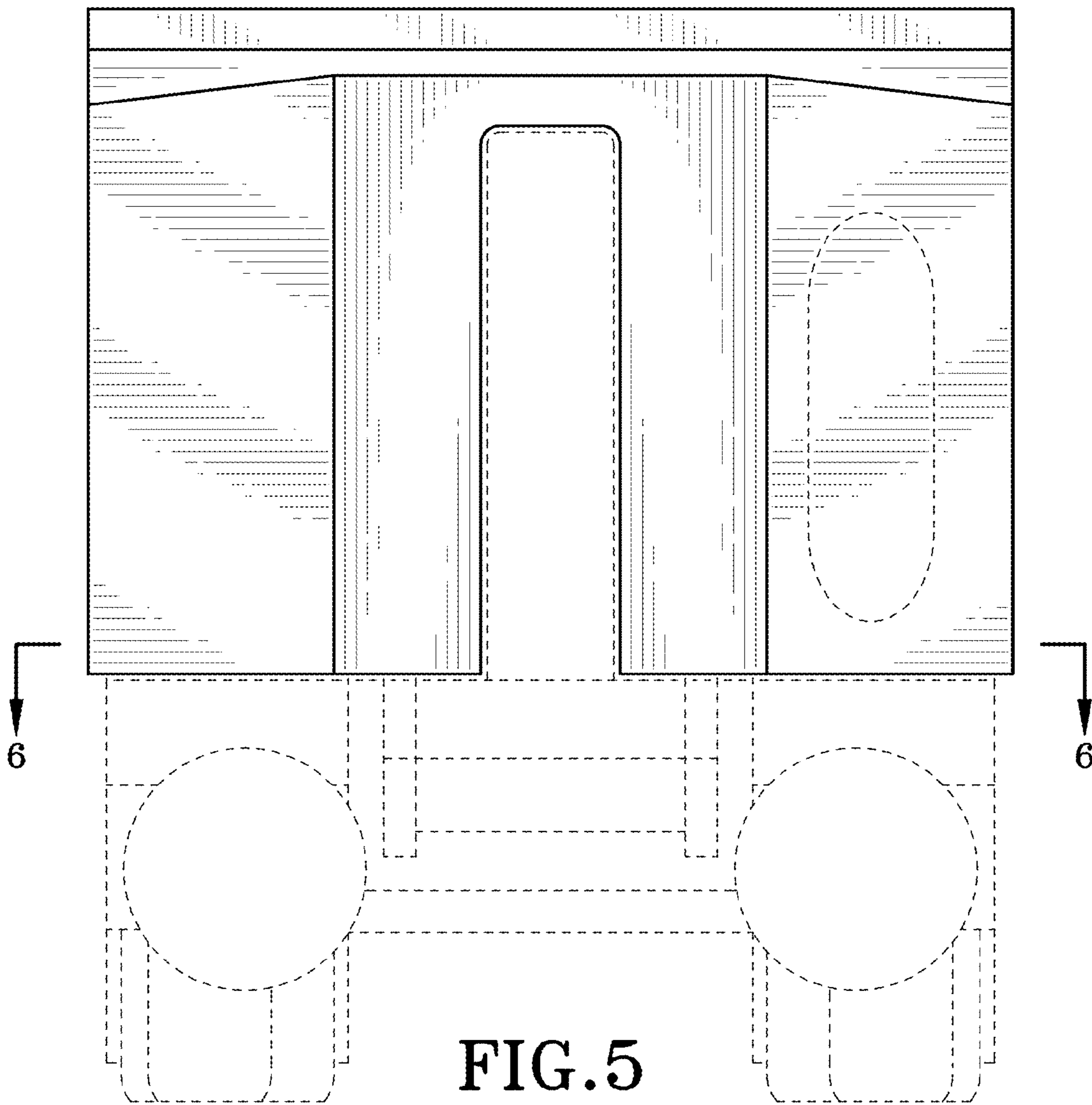


FIG. 7

