



US00D930498S

(12) **United States Design Patent** (10) **Patent No.:** **US D930,498 S**
Michele (45) **Date of Patent:** **** Sep. 14, 2021**

(54) **BUCKLE**
(71) Applicant: **LUXURY GOODS INTERNATIONAL (L.G.I.) SA,**
Cortailod (CH)

(72) Inventor: **Alessandro Michele,** Rome (IT)

(73) Assignee: **LUXURY GOODS INTERNATIONAL (L.G.I.) SA,**
Cortailod (CH)

(**) Term: **15 Years**

(21) Appl. No.: **29/704,961**

(22) Filed: **Sep. 9, 2019**

(30) **Foreign Application Priority Data**

Mar. 11, 2019 (CH) 144546

(51) **LOC (13) Cl.** **11-01**

(52) **U.S. Cl.**
USPC **D11/87**

(58) **Field of Classification Search**
USPC D3/215; D10/32; D11/1-4, 86, 87, 200,
D11/201, 208-210, 214, 215, 220, 221
CPC . A45F 5/004; A45F 5/02; A45F 5/021; A44C
5/00; A44C 5/18; A44B 11/00; A44B
11/005; A44B 11/006
See application file for complete search history.

(56) **References Cited**

U.S. PATENT DOCUMENTS

2,474,372 A * 6/1949 Schmith A44B 11/00
24/578.15
4,564,982 A * 1/1986 Paolini A44C 5/24
24/71 J
D284,900 S * 8/1986 Chalmers, II D11/200
D390,803 S * 2/1998 Giardiello D11/87
D469,377 S * 1/2003 Lee D11/87
D639,201 S * 6/2011 Cole D11/87

D669,389 S * 10/2012 Maier D11/94
D724,479 S * 3/2015 Cerrato D11/93
D877,647 S * 3/2020 Boschman D11/93
2014/0059818 A1 * 3/2014 Catanese A44B 17/0064
24/71 J
2016/0270492 A1 * 9/2016 Kaltenrieder A44C 5/14

FOREIGN PATENT DOCUMENTS

WO D202490-001 * 7/2019

OTHER PUBLICATIONS

Gucci G-Timeless watch [online], [site visited Mar. 11, 2021].
Available from internet, URL:<<https://www.gucci.com/us/en/pr/jewelry-watches/watches/watches-for-women/g-timeless-watch-38mm-p-584144IAKA08605>> (Year: 2021).*

* cited by examiner

Primary Examiner — Cynthia Ramirez

Assistant Examiner — Xavier Marti-Santos

(74) *Attorney, Agent, or Firm* — Sughrue Mion, PLLC

(57) **CLAIM**

The ornamental design for a buckle, as shown and described.

DESCRIPTION

FIG. 1 is a front and right side perspective view of a buckle showing my new design;
FIG. 2 is a front elevational view thereof;
FIG. 3 is a rear elevational view thereof;
FIG. 4 is a right side elevational view thereof;
FIG. 5 is a left side elevational view thereof;
FIG. 6 is a top plan view thereof;
FIG. 7 is a bottom plan view thereof;
FIG. 8 is a perspective extended view of a front and right side thereof; and,
FIG. 9 is a perspective extended view of a rear and left side thereof.

1 Claim, 9 Drawing Sheets

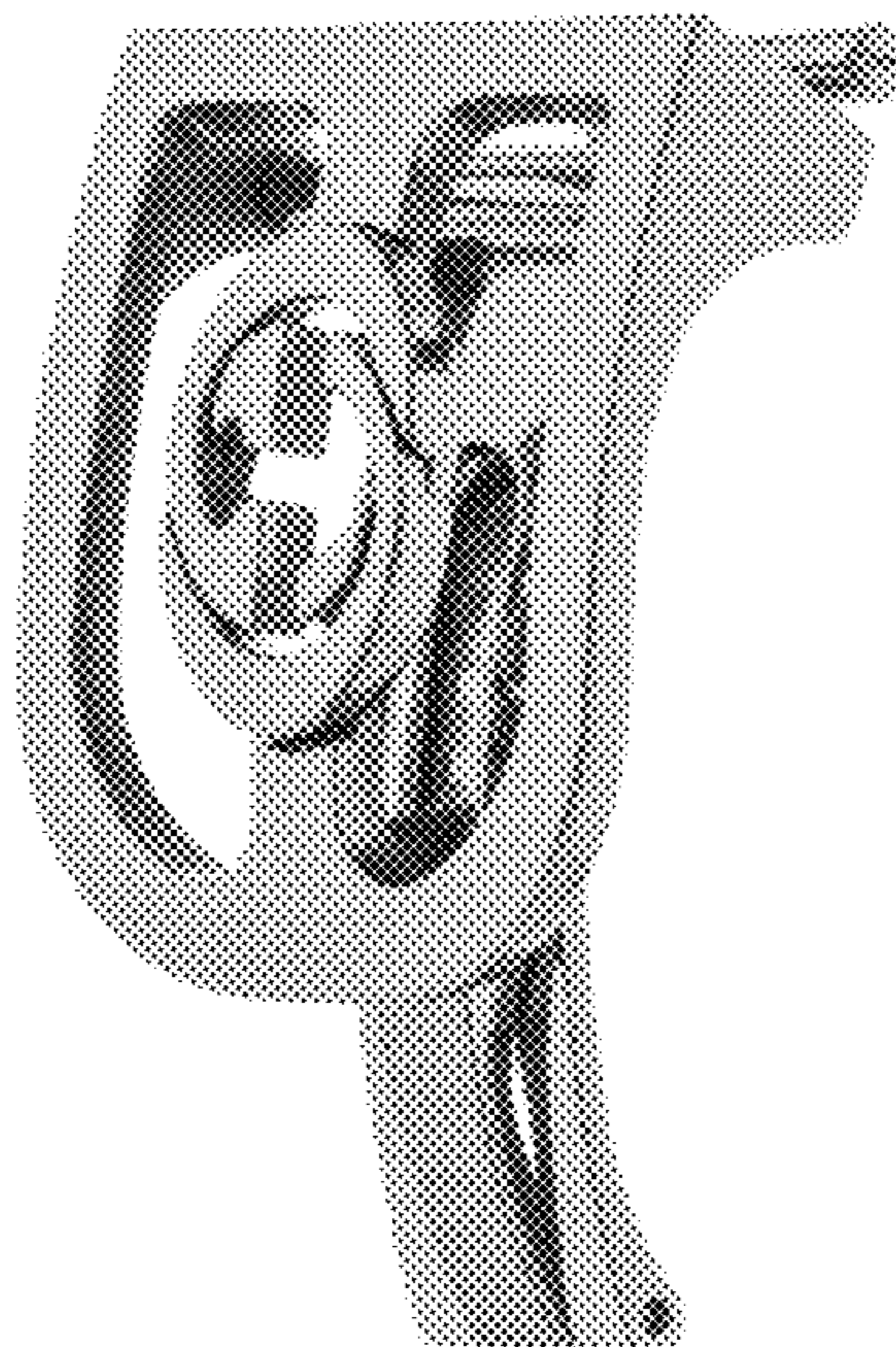


FIG. 1

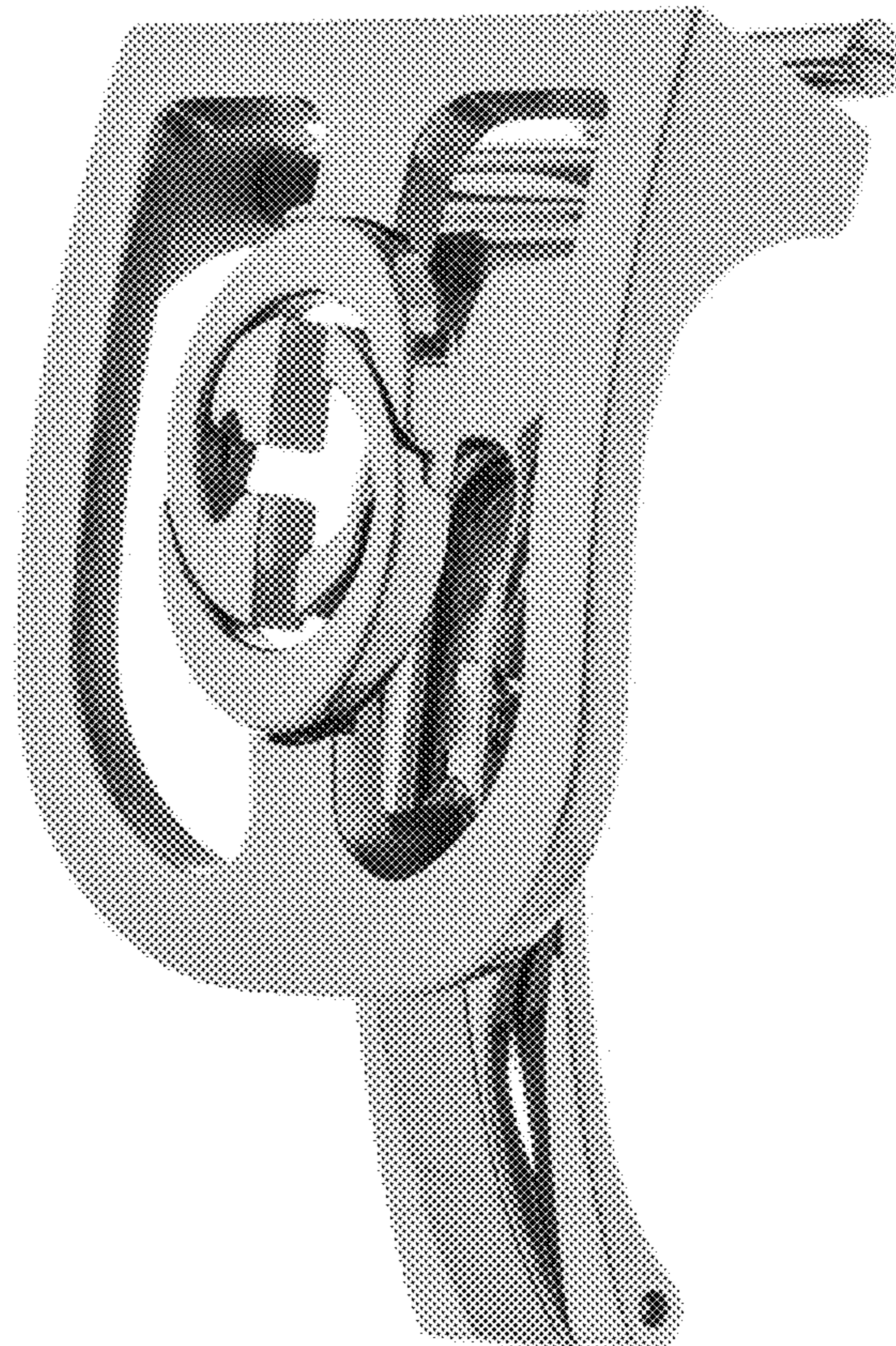


FIG. 2

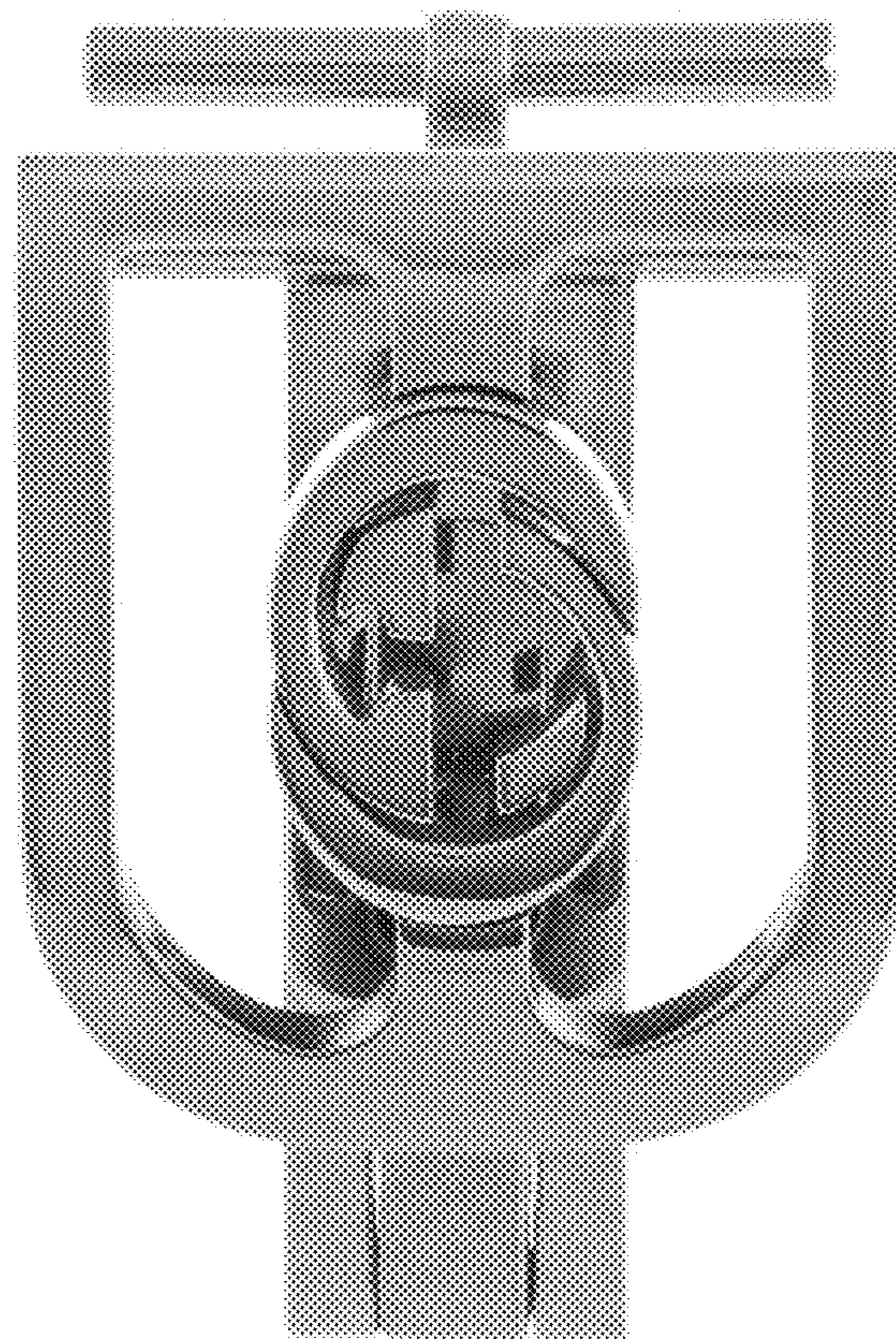


FIG. 3



FIG. 4

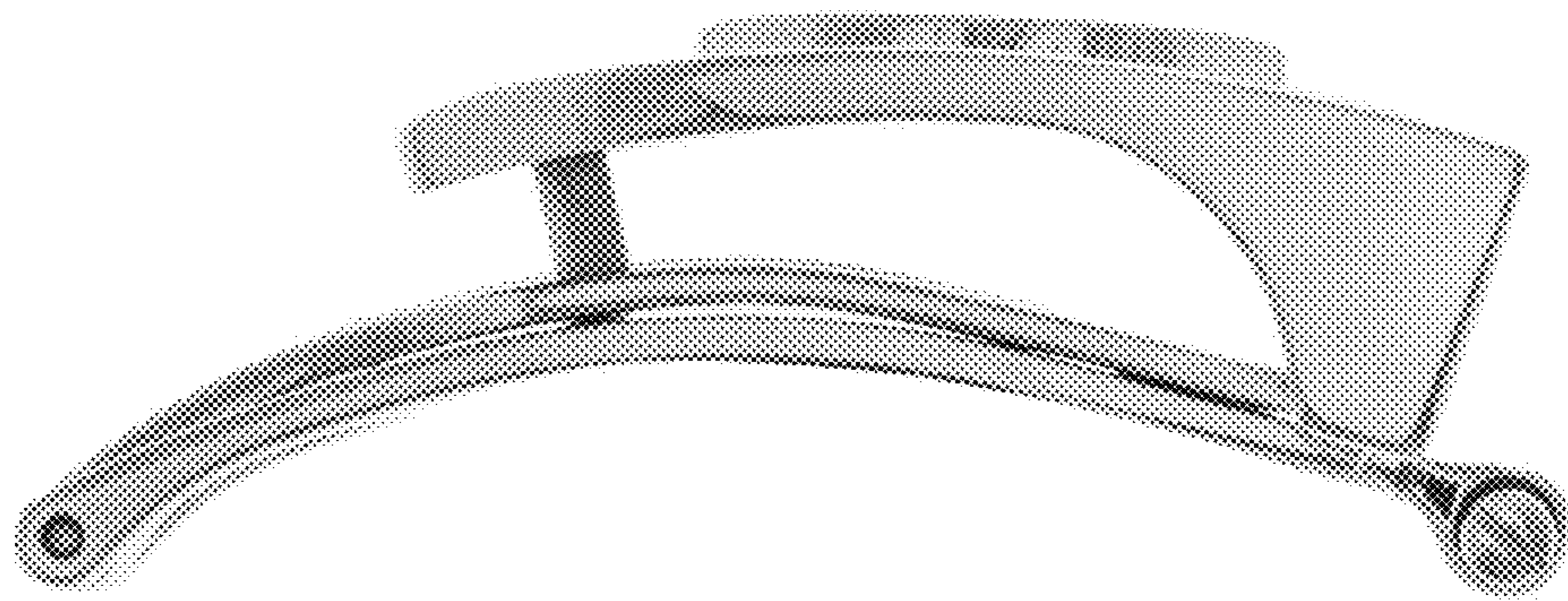


FIG. 5



FIG. 6

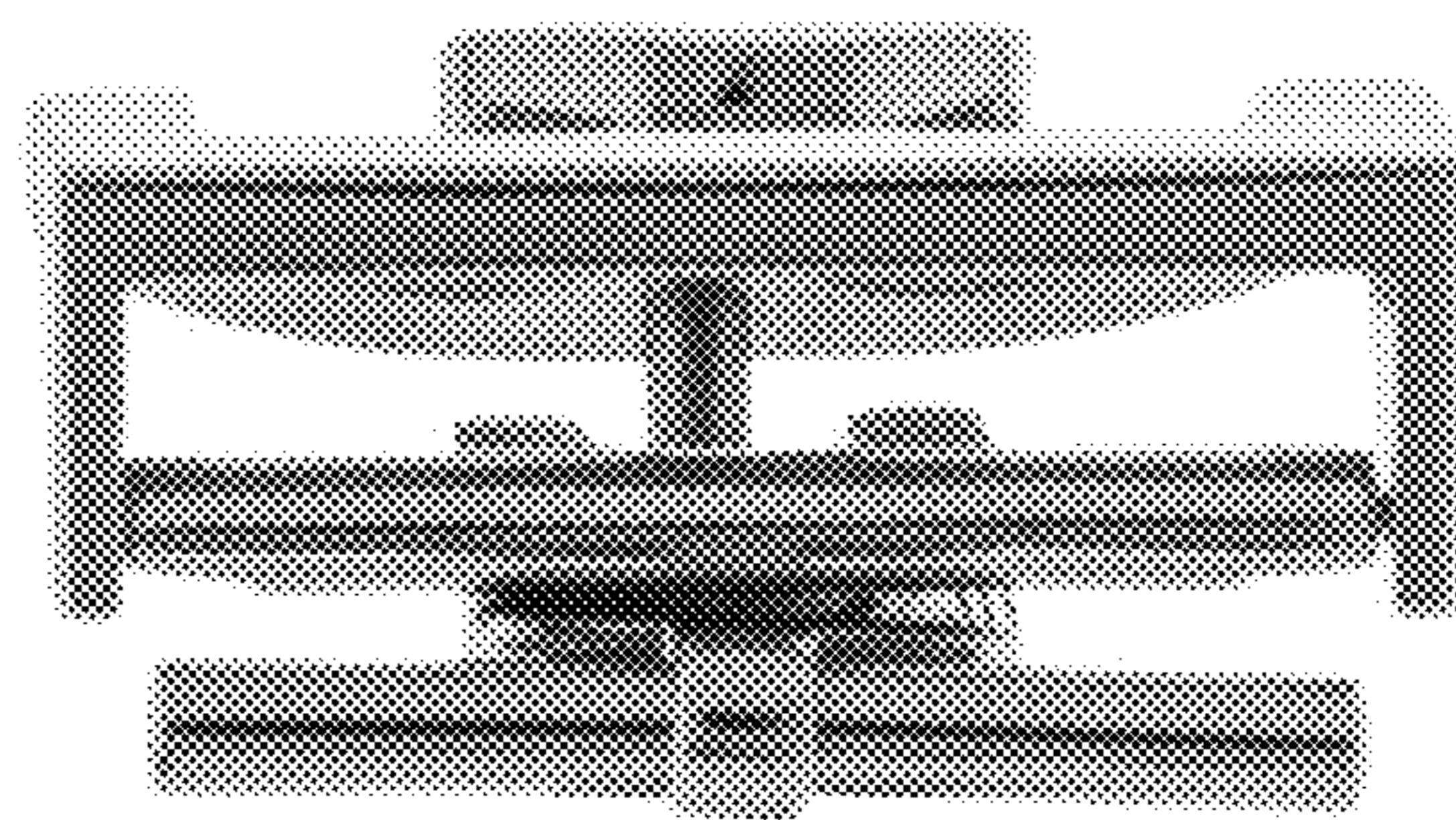


FIG. 7

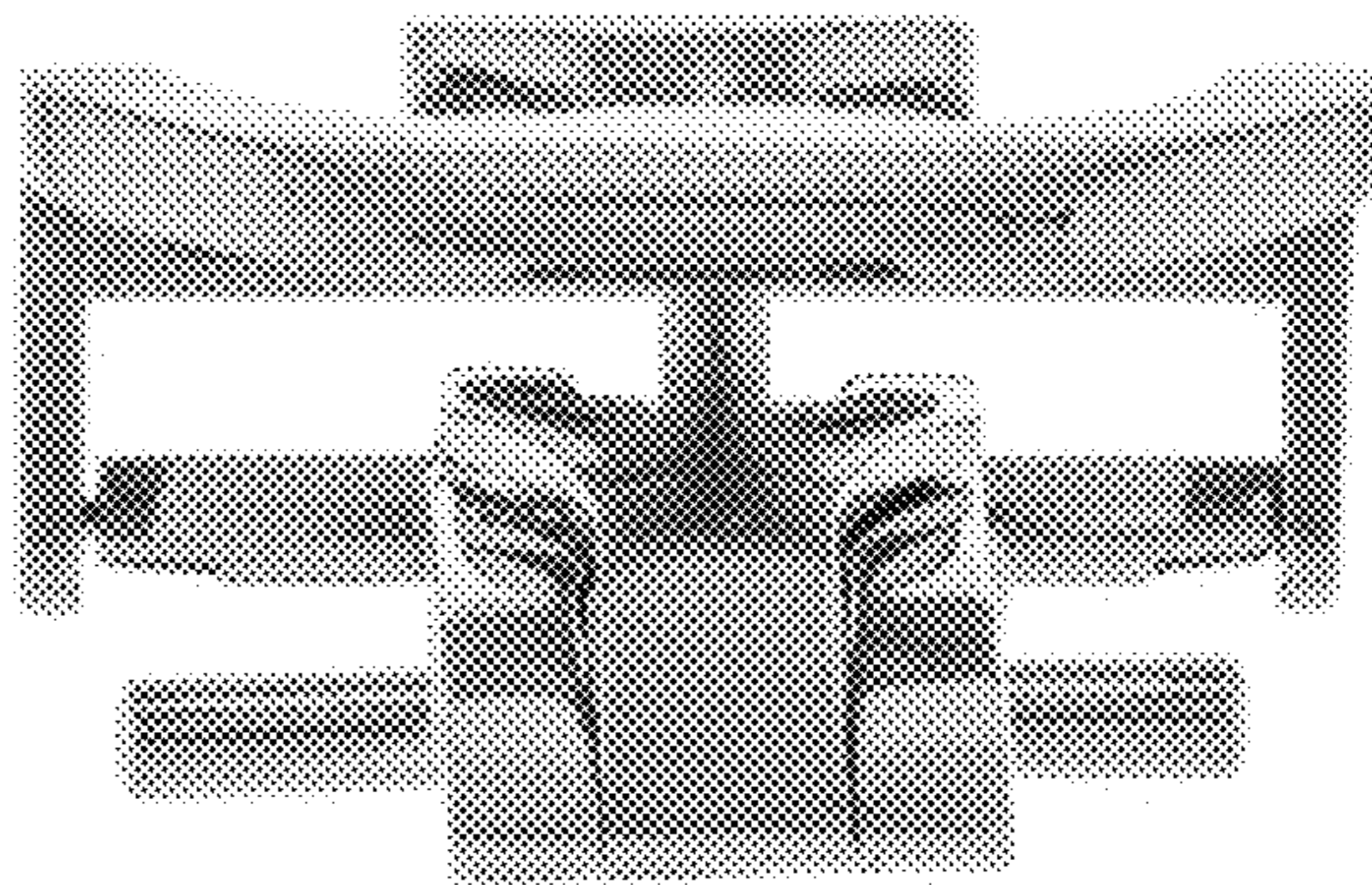


FIG. 8

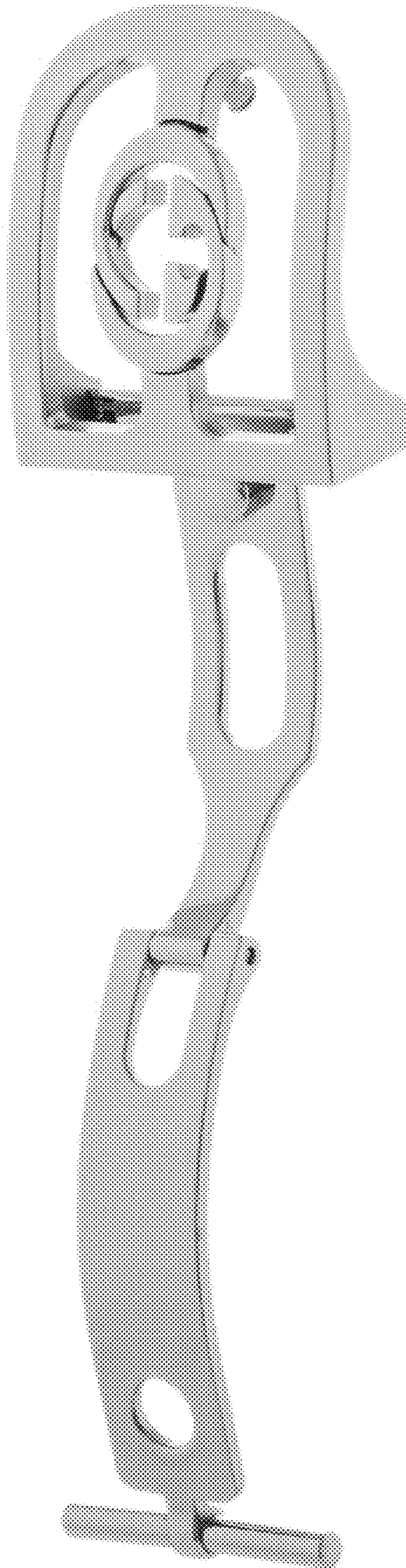


FIG. 9

