

US00D930497S

(12) **United States Design Patent** (10) **Patent No.:** **US D930,497 S**
Bing (45) **Date of Patent:** **** Sep. 14, 2021**

(54) **PENDANT**

(71) Applicant: **Qiwu Bing**, Shandong (CN)

(72) Inventor: **Qiwu Bing**, Shandong (CN)

(**) Term: **15 Years**

(21) Appl. No.: **29/759,715**

(22) Filed: **Nov. 24, 2020**

(51) **LOC (13) Cl.** **11-01**

(52) **U.S. Cl.**
USPC **D11/83**; D21/621

(58) **Field of Classification Search**
USPC D11/40–50, 61, 79–86, 91, 92, 1, 2, 3, 7,
D11/8, 56, 103; D21/621, 622, 623, 630;
D3/211
CPC A44C 25/00; A44C 25/001; A44C 25/002;
A44C 25/007; A44C 15/00; A44C
15/005; A44C 15/0055; A44C 1/00;
A63H 3/00; A63H 3/001; A63H 3/003
See application file for complete search history.

(56) **References Cited**

U.S. PATENT DOCUMENTS

D119,037 S *	2/1940	Frick	D21/631
D239,846 S *	5/1976	Knudsen	D21/621
D248,881 S *	8/1978	Goldfarb	D21/621
D253,711 S *	12/1979	Christiansen	D21/621
D278,735 S *	5/1985	Nielsen	D21/621
D352,078 S *	11/1994	Bertrand	D21/621
D398,775 S *	9/1998	Fritsche	D11/83
D404,441 S *	1/1999	Tong	D21/621
D442,649 S *	5/2001	Galvan	D21/621
D539,364 S *	3/2007	Sofussen	D21/621
D611,108 S *	3/2010	Bodin	D21/621
D680,598 S *	4/2013	Geller	D21/621
D724,477 S *	3/2015	Weinshanker	D11/83
D738,966 S *	9/2015	Chen	D21/621
D798,190 S	9/2017	Mulero	

D817,807 S *	5/2018	Kim	D11/83
D831,130 S *	10/2018	Davis	D21/621
D833,905 S	11/2018	Kadar	
D864,314 S *	10/2019	Kim	D21/621
D873,929 S *	1/2020	Hazzard	D21/621
D879,213 S *	3/2020	Hazzard	D21/621
D887,501 S *	6/2020	Zhan	D21/621
D917,635 S *	4/2021	Li	D21/621

OTHER PUBLICATIONS

[Online] “Xalipha Electro Minifig Pendants.” <https://theawesomer.com/xalipha-electro-minifig-pendants/581880/>. Posted online Jul. 23, 2020. Retrieved Jul. 29, 2021.*

[Online] <https://www.amazon.com/850807-Golden-Minifigure-Keychain-Chain/dp/B00D6PV22Q>. Retrieved Jul. 29, 2021.*

* cited by examiner

Primary Examiner — Melanie Pellegrini

(74) *Attorney, Agent, or Firm* — ScienBiziP, P.C.

(57) **CLAIM**

The ornamental design for a pendant, as shown and described.

DESCRIPTION

FIG. 1 is a front perspective view of a pendant, showing my design.

FIG. 2 is a rear perspective view thereof.

FIG. 3 is a front elevation view thereof.

FIG. 4 is a rear elevation view thereof.

FIG. 5 is a left side elevation thereof.

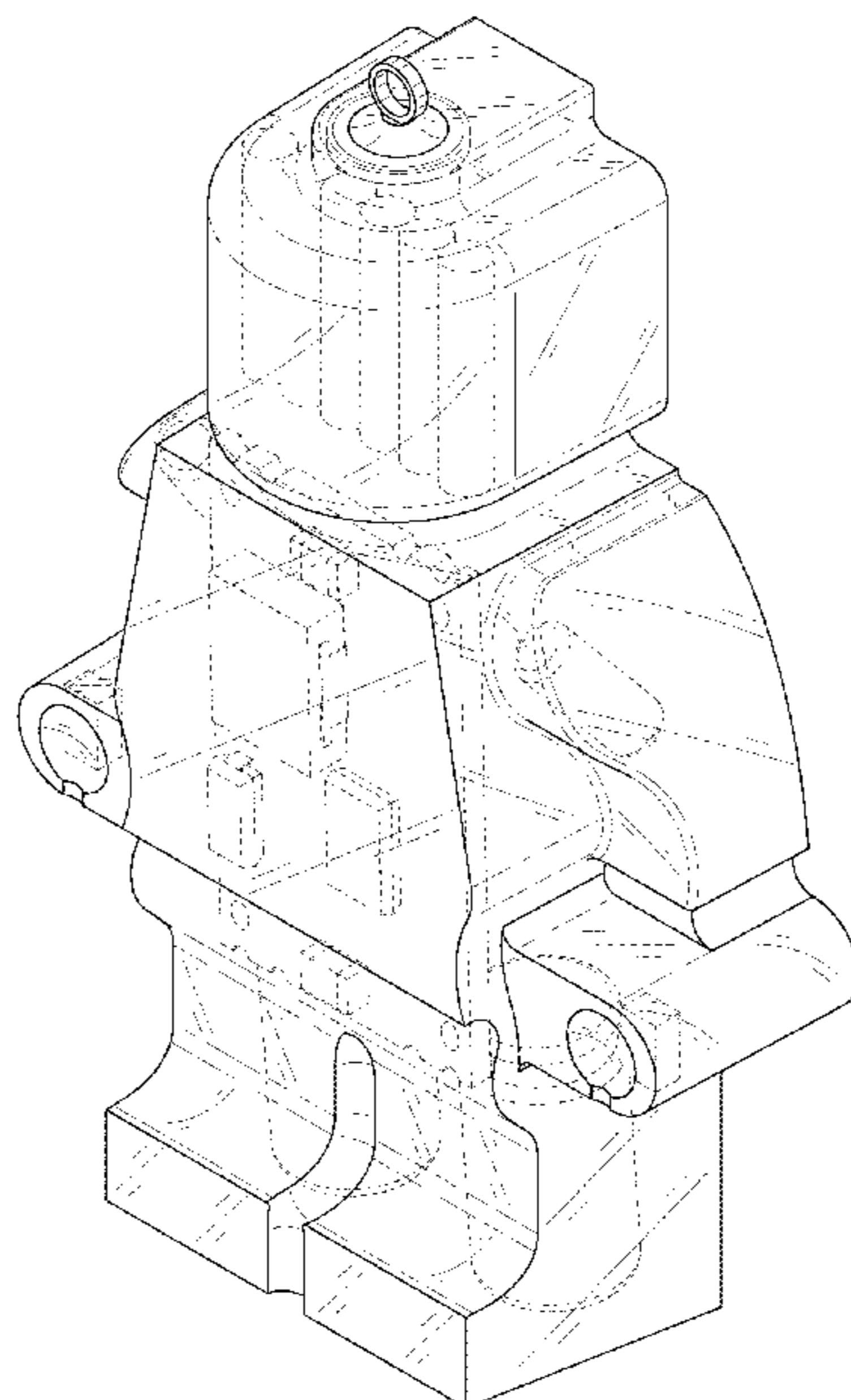
FIG. 6 is a right side elevation thereof.

FIG. 7 is a top plan view thereof; and,

FIG. 8 is a bottom plan view thereof.

The broken lines illustrate portions of the pendant that form no part of the claimed design.

1 Claim, 8 Drawing Sheets



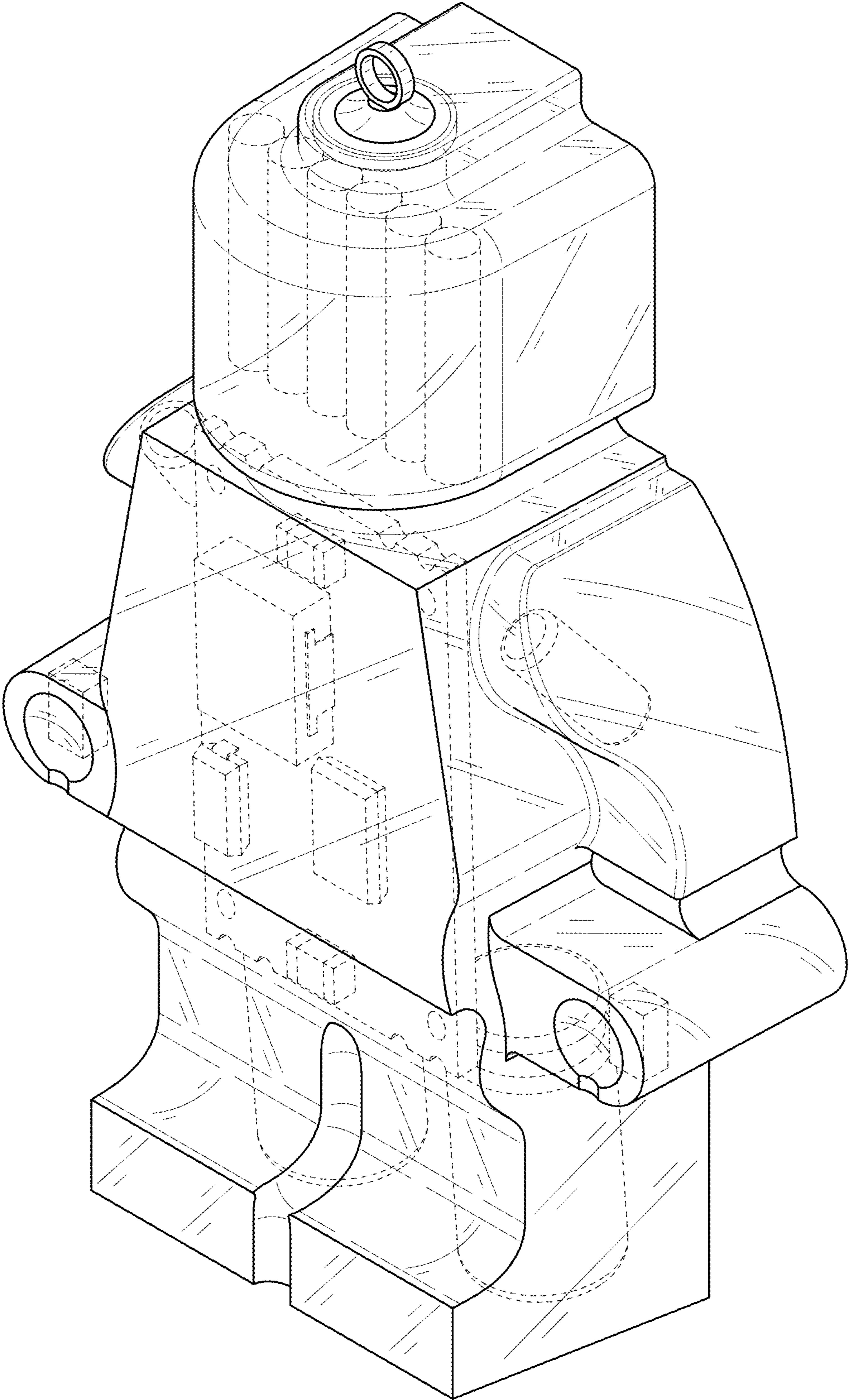


FIG. 1

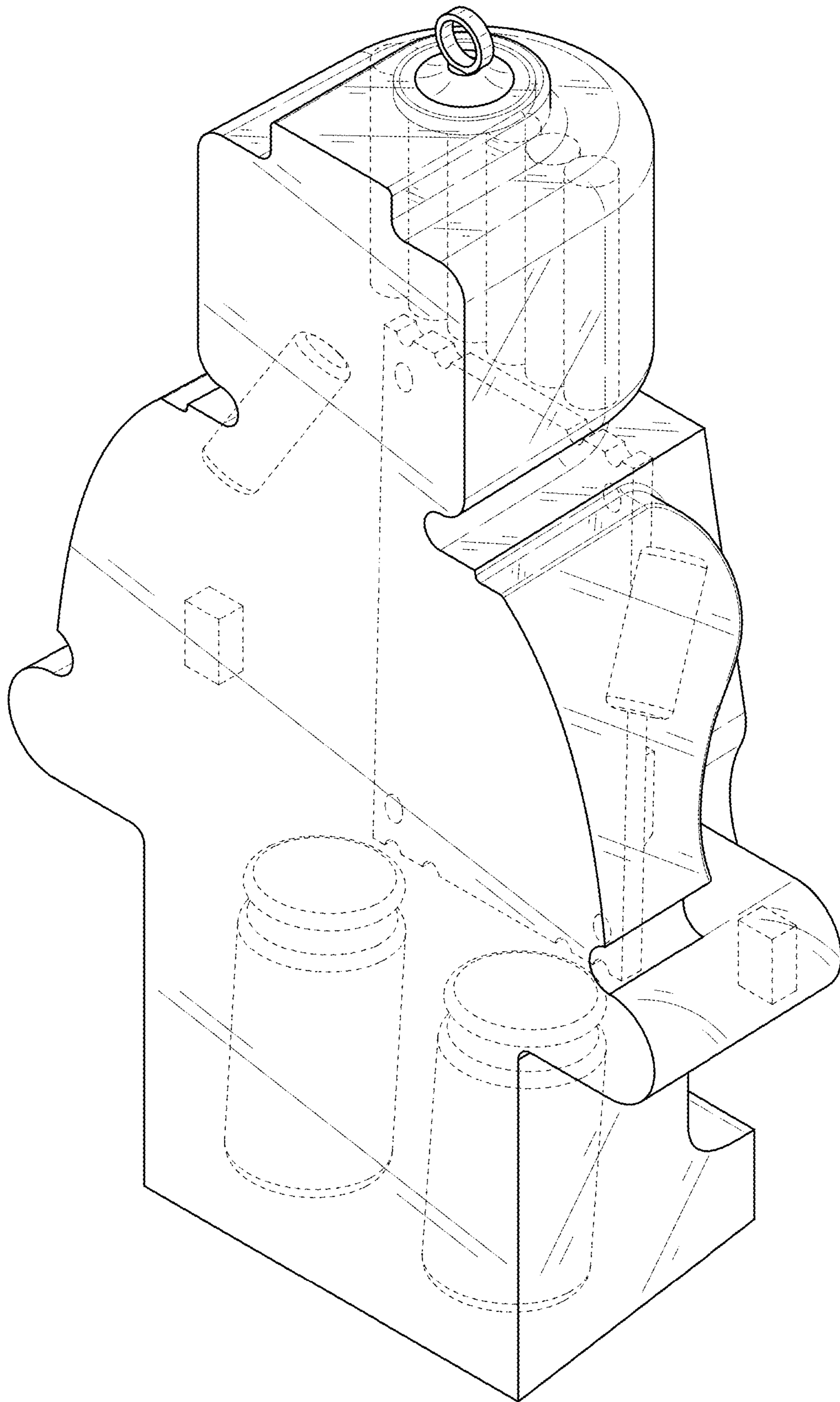


FIG. 2

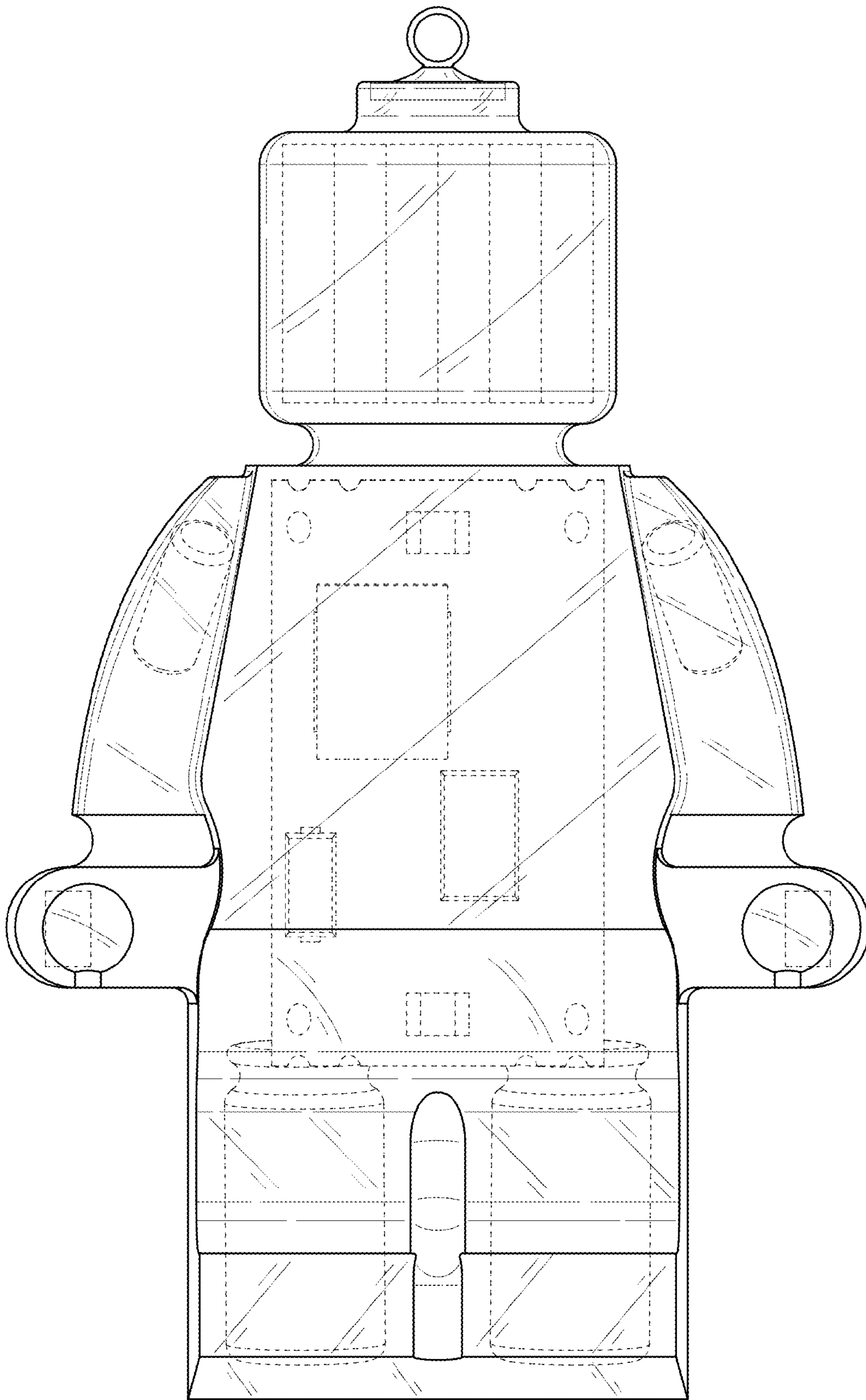


FIG. 3

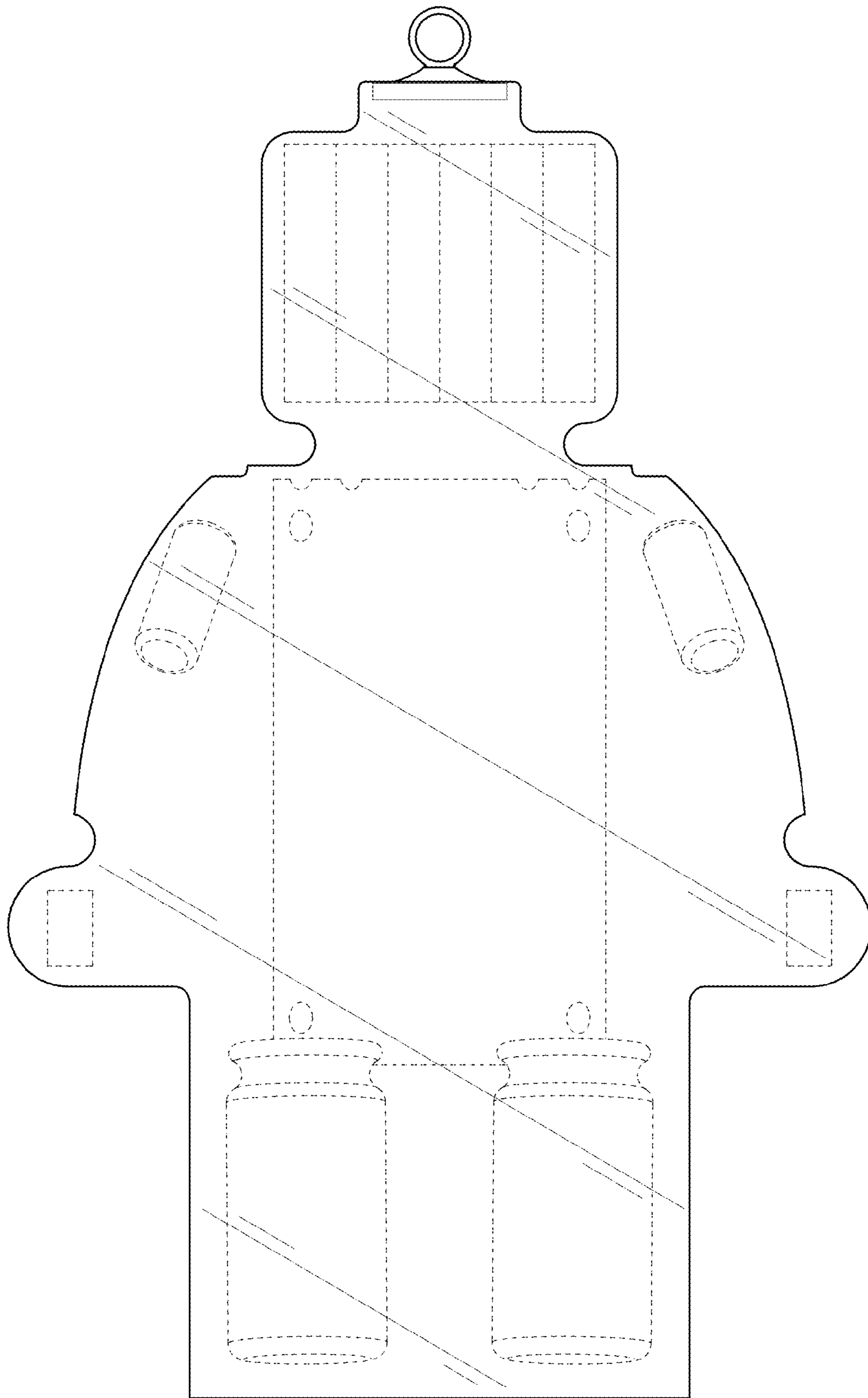


FIG. 4

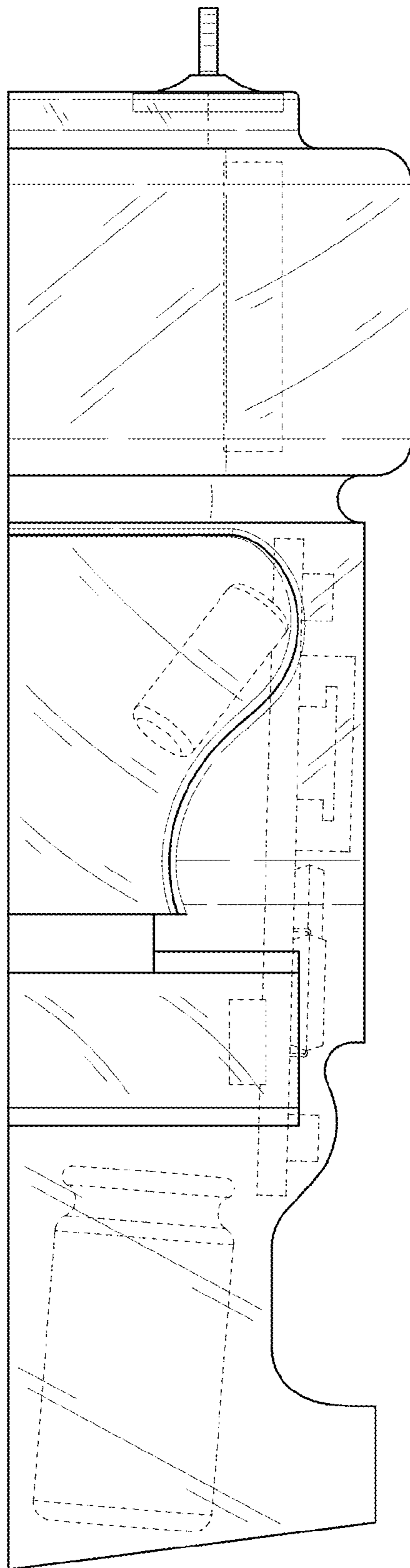


FIG. 5

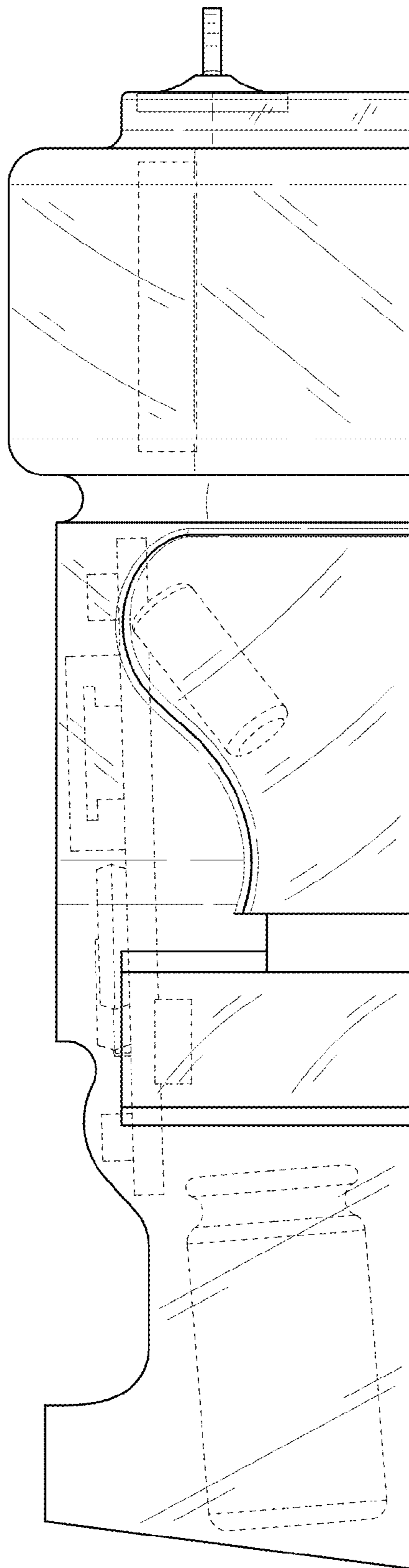


FIG. 6

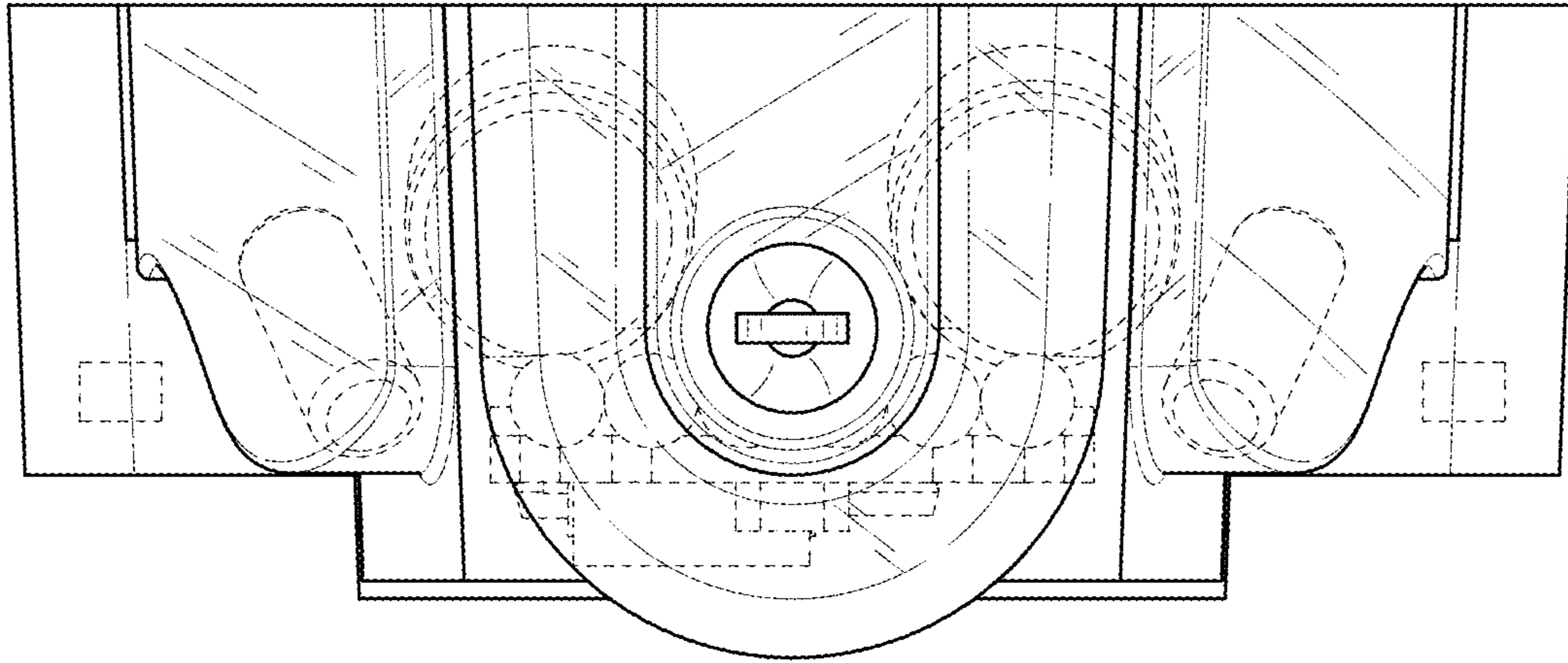


FIG. 7

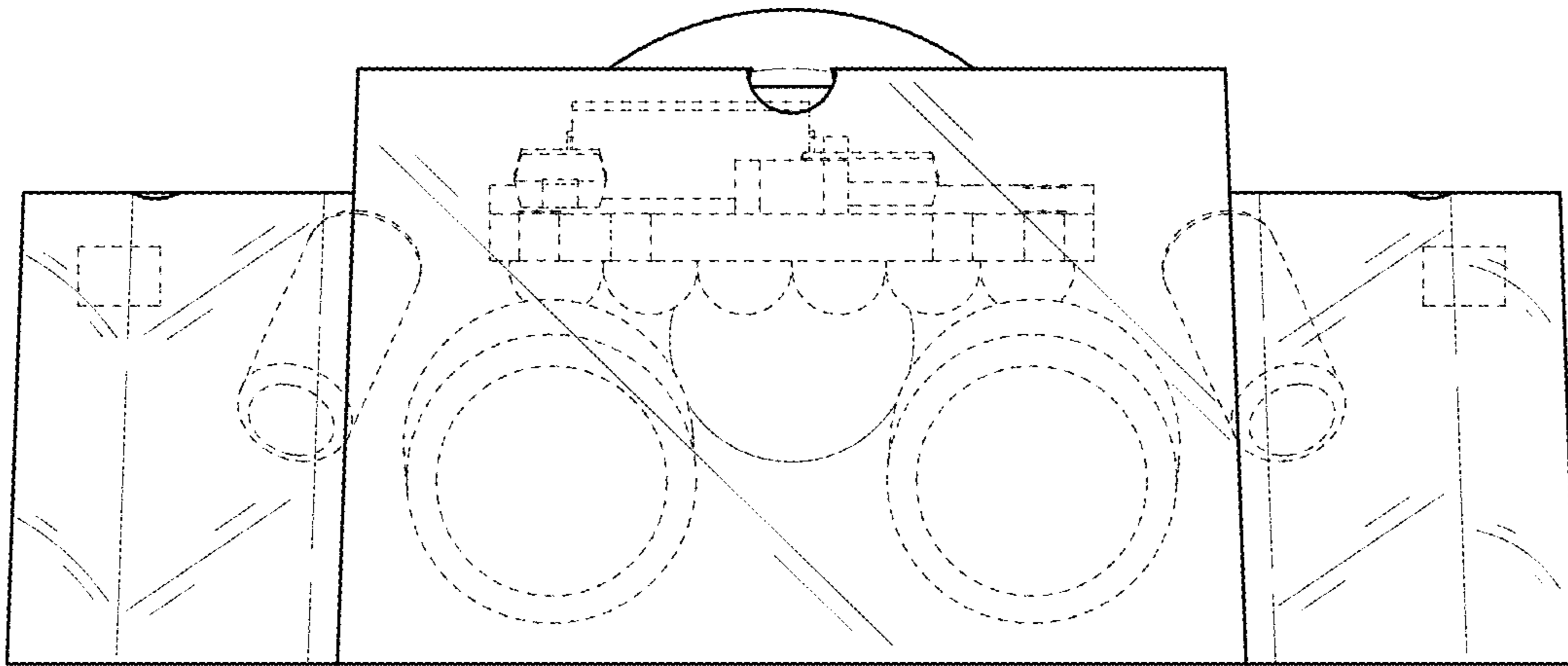


FIG. 8