



US00D930494S

(12) **United States Design Patent**
Kirvan

(10) **Patent No.:** **US D930,494 S**

(45) **Date of Patent:** **** Sep. 14, 2021**

(54) **WIRING WARNING DEVICE**

URL:<https://www.wayfair.com/HubbellRaco--Square-Flat-Box-Cover-0791-L269-K~YNB1142.html> (Year: 2021).*

(71) Applicant: **Matthew Henderson Kirvan**,
Bethesda, MD (US)

(Continued)

(72) Inventor: **Matthew Henderson Kirvan**,
Bethesda, MD (US)

Primary Examiner — Michael C Stout
Assistant Examiner — Katrina N Gonzalez

(74) *Attorney, Agent, or Firm* — William Simmons;
Simmons Patents

(**) Term: **15 Years**

(57) **CLAIM**

(21) Appl. No.: **29/655,287**

The ornamental design for an wiring warning device, as shown and described.

(22) Filed: **Jul. 2, 2018**

DESCRIPTION

(51) **LOC (13) Cl.** **10-05**

(52) **U.S. Cl.**
USPC **D10/109.1**

(58) **Field of Classification Search**
USPC D10/104.1, 106.1, 106.2, 106.3, 106.4,
D10/106.5, 106.6, 106.7, 106.8, 106.95,
D10/108, 109.1, 109.2, 121, 123, 124,
D10/125; D13/156

FIG. 1 is a front perspective of the first embodiment of a wiring warning device, showing my new design;
FIG. 2 is a front view thereof;
FIG. 3 is a back view thereof;
FIG. 4 is a right side elevation view thereof;
FIG. 5 is a left side elevation view thereof;
FIG. 6 is a top plan view thereof; and
FIG. 7 is a bottom plan view thereof.

See application file for complete search history.

FIG. 8 is a front perspective of the second embodiment of a wiring warning device, showing my new design;
FIG. 9 is a front view thereof;
FIG. 10 is a back view thereof;
FIG. 11 is a right side elevation view thereof;
FIG. 12 is a left side elevation view thereof;
FIG. 13 is a top plan view thereof; and
FIG. 14 is a bottom plan view thereof.
FIG. 15 is a front perspective of the third embodiment of a wiring warning device, showing my new design;
FIG. 16 is a front view thereof;
FIG. 17 is a back view thereof;
FIG. 18 is a right side elevation view thereof;
FIG. 19 is a left side elevation view thereof;
FIG. 20 is a top plan view thereof; and
FIG. 21 is a bottom plan view thereof.

(56) **References Cited**

U.S. PATENT DOCUMENTS

D219,768	S	*	1/1971	Conwill	D8/354
4,938,472	A		7/1990	Gould		
5,212,899	A		5/1993	Fandreyer		
5,693,911	A		12/1997	Sydow		
D462,939	S	*	9/2002	Dinh	D13/156
D480,948	S	*	10/2003	Patrizzi	D8/354
D481,926	S	*	11/2003	Engelmayer	D8/354
D482,661	S		11/2003	Shotey		

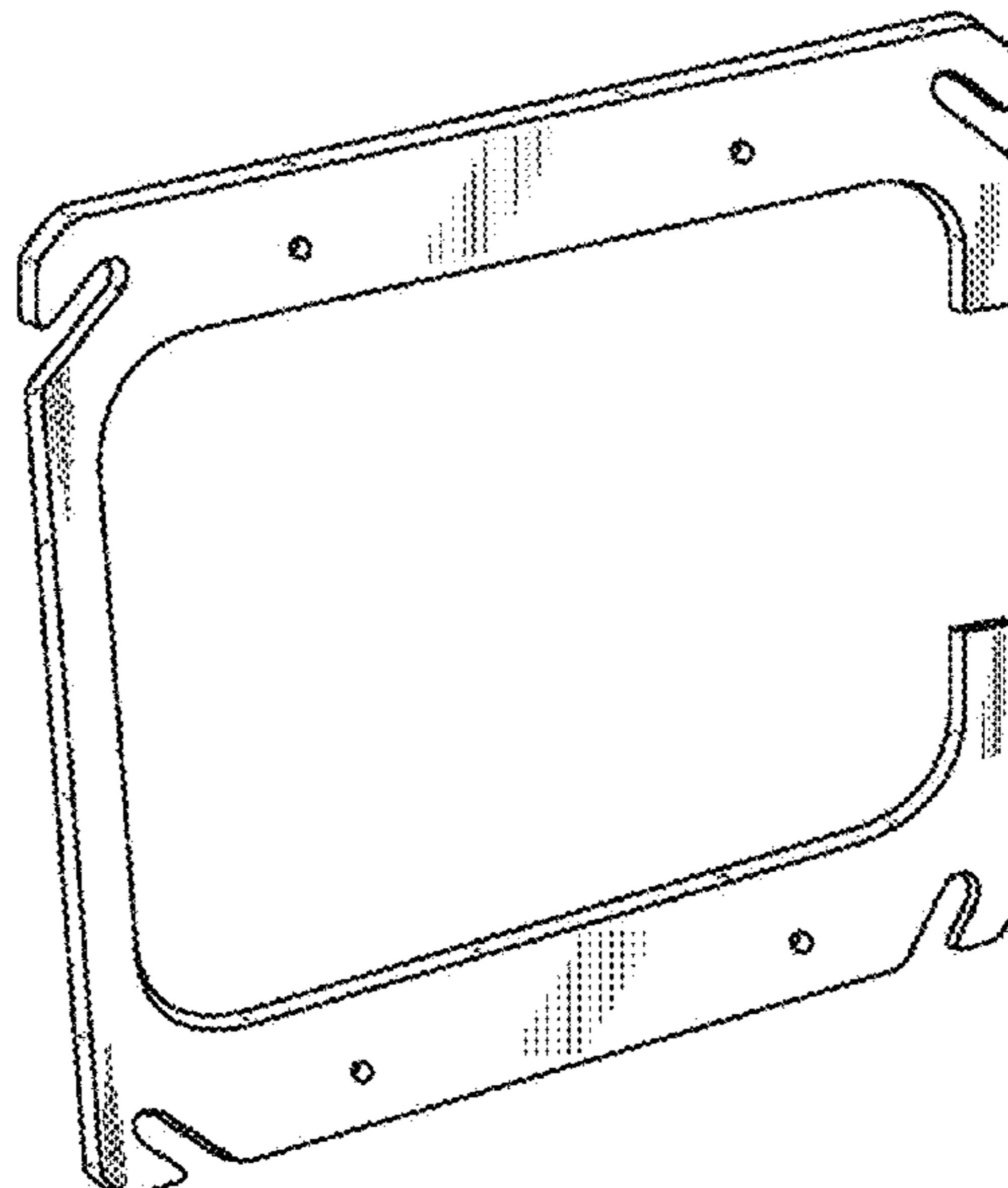
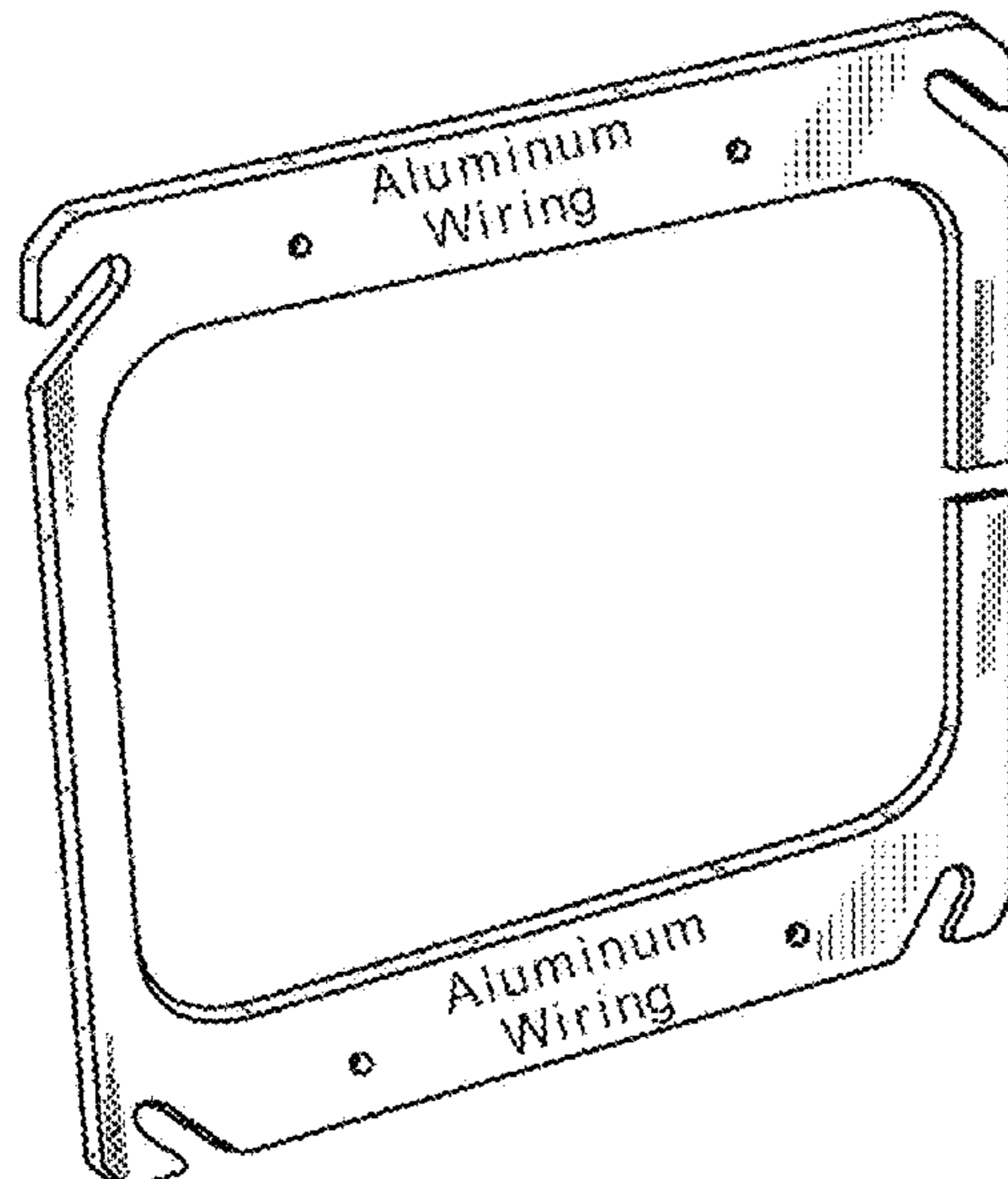
(Continued)

OTHER PUBLICATIONS

“HubbellRaco Square Flat Box Cover _ Wayfair” available Mar. 5, 2021, [online], [site visited Mar. 5, 2021]. Retrieved from Internet,

The drawings of FIGS. 15-21 are lined for color.

1 Claim, 15 Drawing Sheets



(56)

References Cited

U.S. PATENT DOCUMENTS

6,878,878 B2 * 4/2005 Westlake H02G 3/14
174/66
D698,737 S * 2/2014 Hagarty D13/156
D739,210 S * 9/2015 Morissette D8/354
D750,471 S * 3/2016 Achenbach D8/356
D765,496 S * 9/2016 White D8/356
9,728,947 B2 * 8/2017 Trojanowski H02G 3/081
D801,284 S * 10/2017 Hagarty D13/156
D810,695 S * 2/2018 Hagarty D13/156
D810,696 S * 2/2018 Hagarty D13/156
D841,434 S * 2/2019 Vrame D8/354
2002/0062550 A1 * 5/2002 Manning H02G 3/14
29/745
2010/0058638 A1 3/2010 Askin
2015/0279243 A1 10/2015 Willes
2020/0005682 A1 * 1/2020 Kirvan G09F 3/0295

OTHER PUBLICATIONS

Electrical Boxes & Covers, <https://www.wholesalecontractorsupply.com/Electrical-Boxes-Covers-s/145.htm>.

* cited by examiner

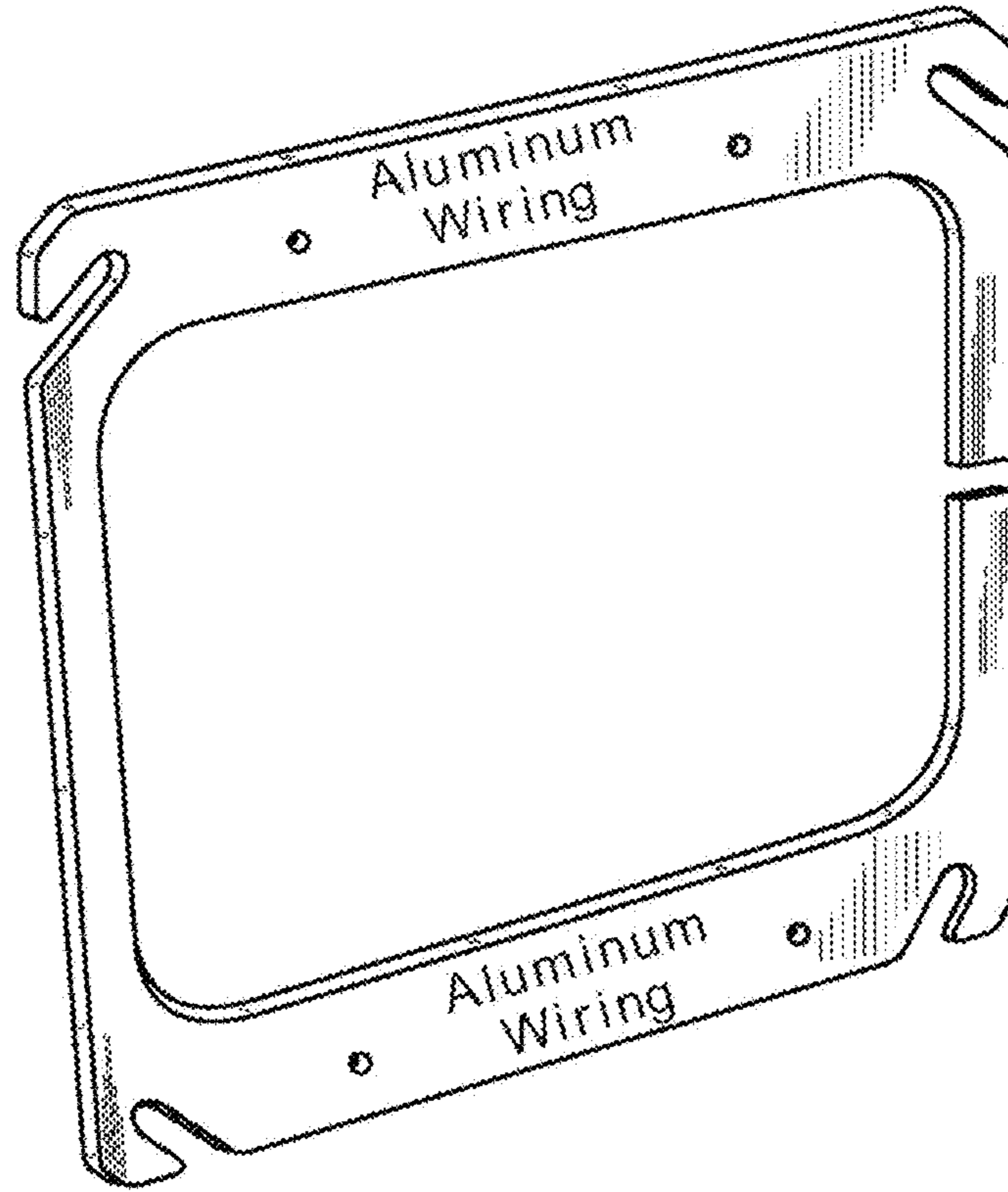


FIG. 1

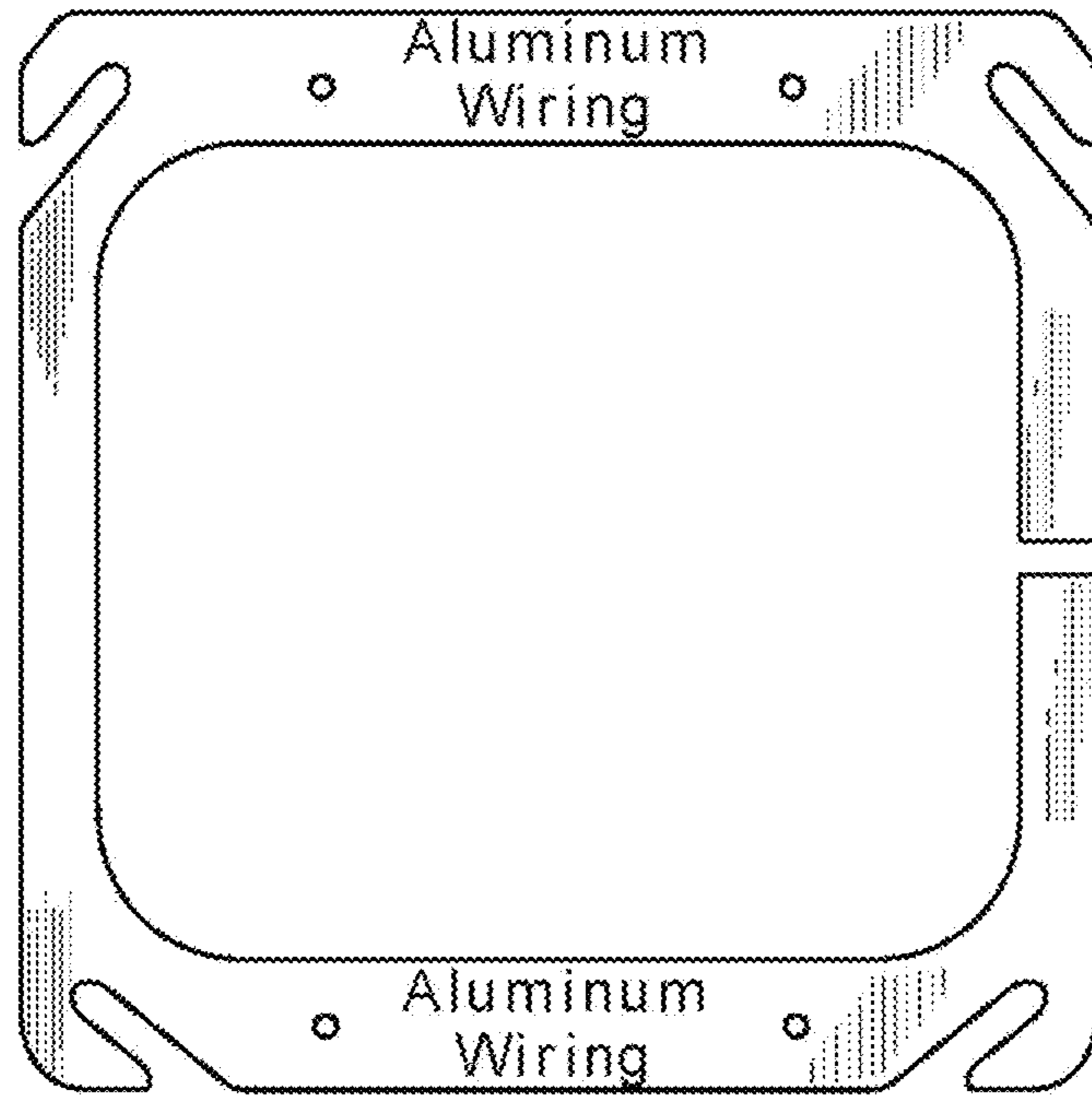


FIG. 2

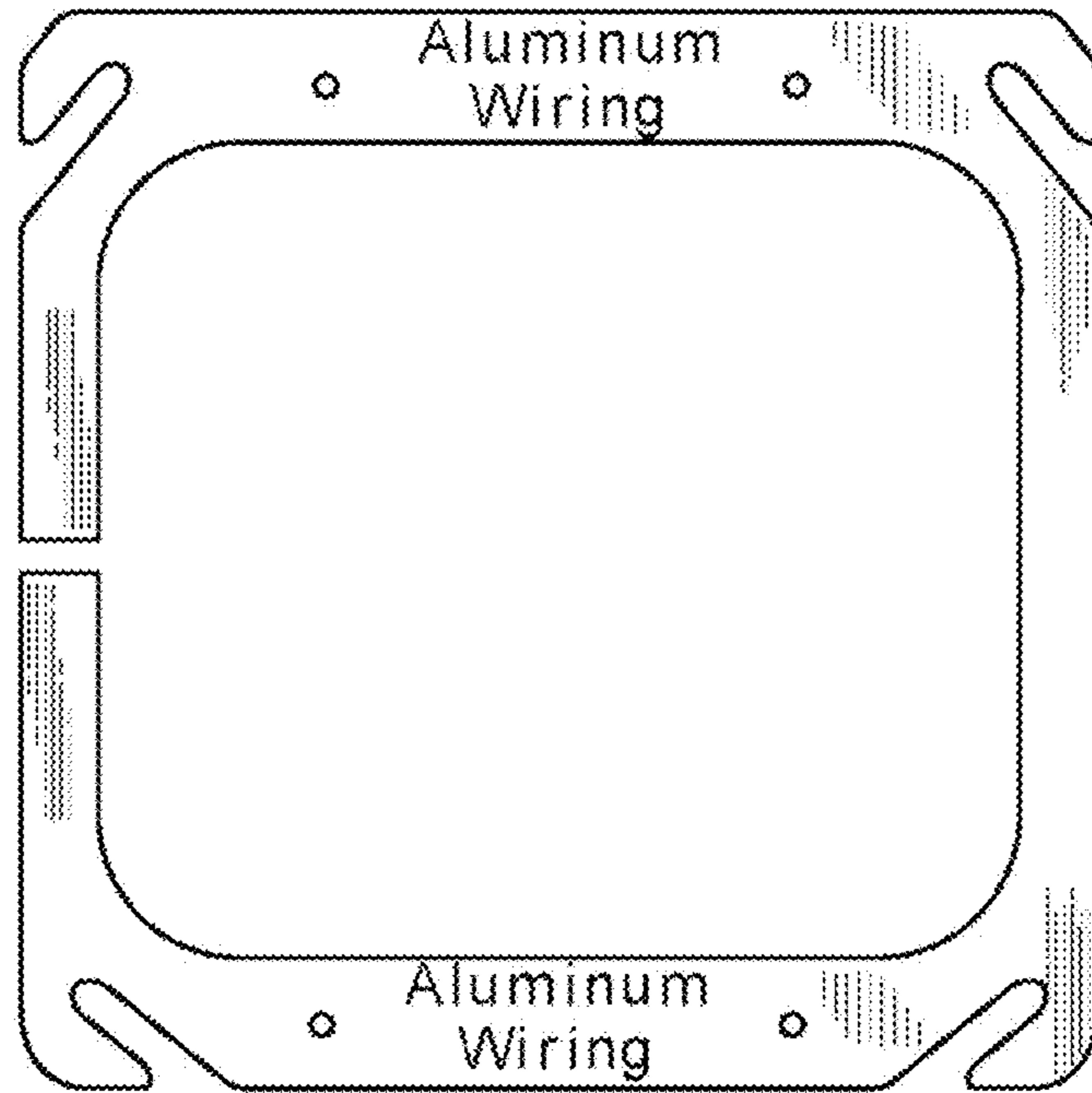


FIG. 3



FIG. 4



FIG. 5

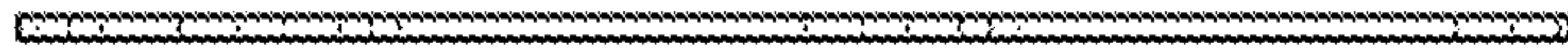


FIG. 6

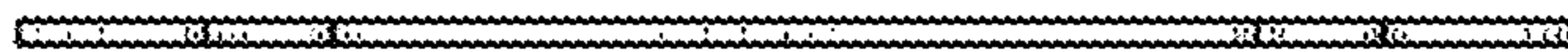


FIG. 7

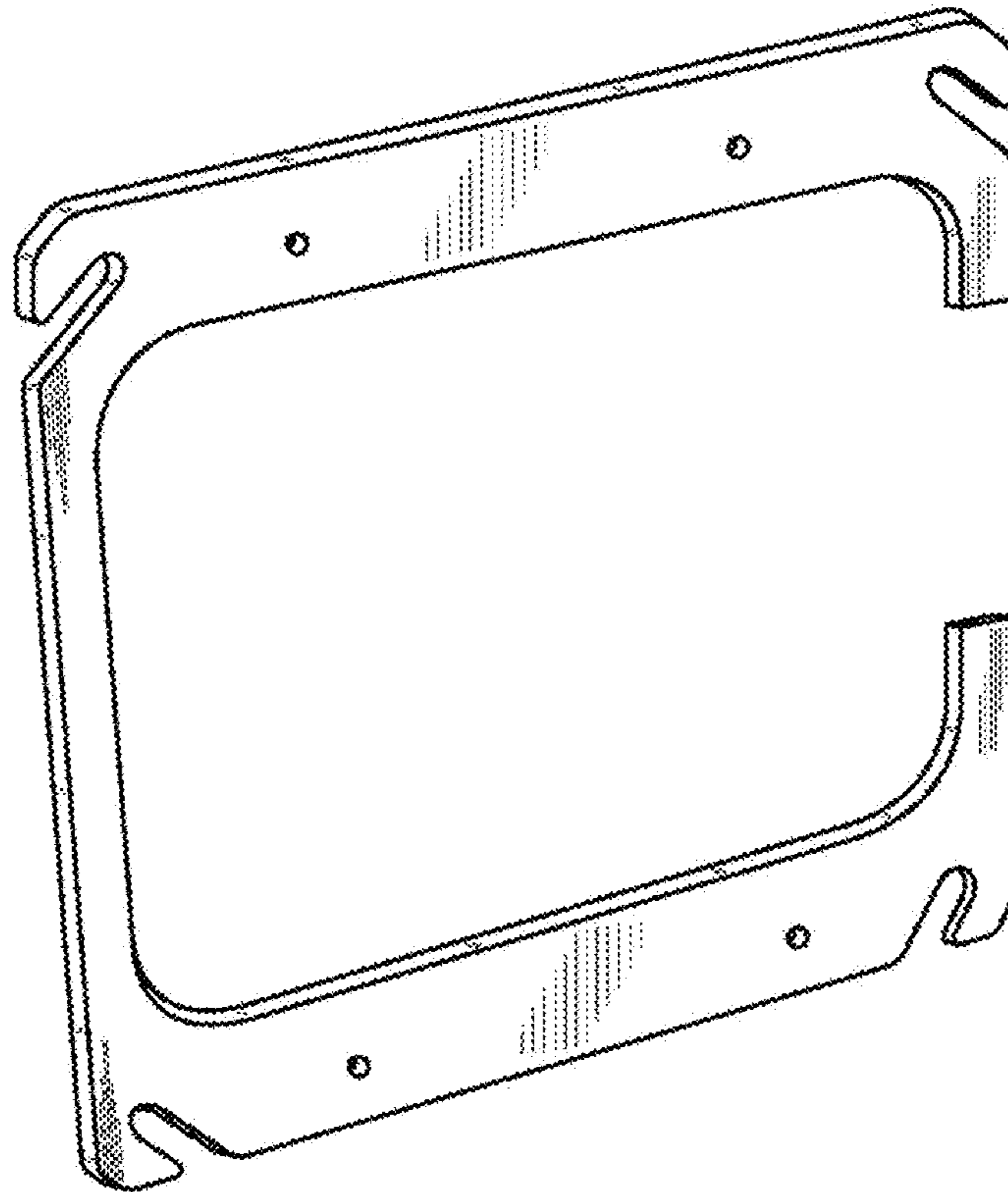


FIG. 8

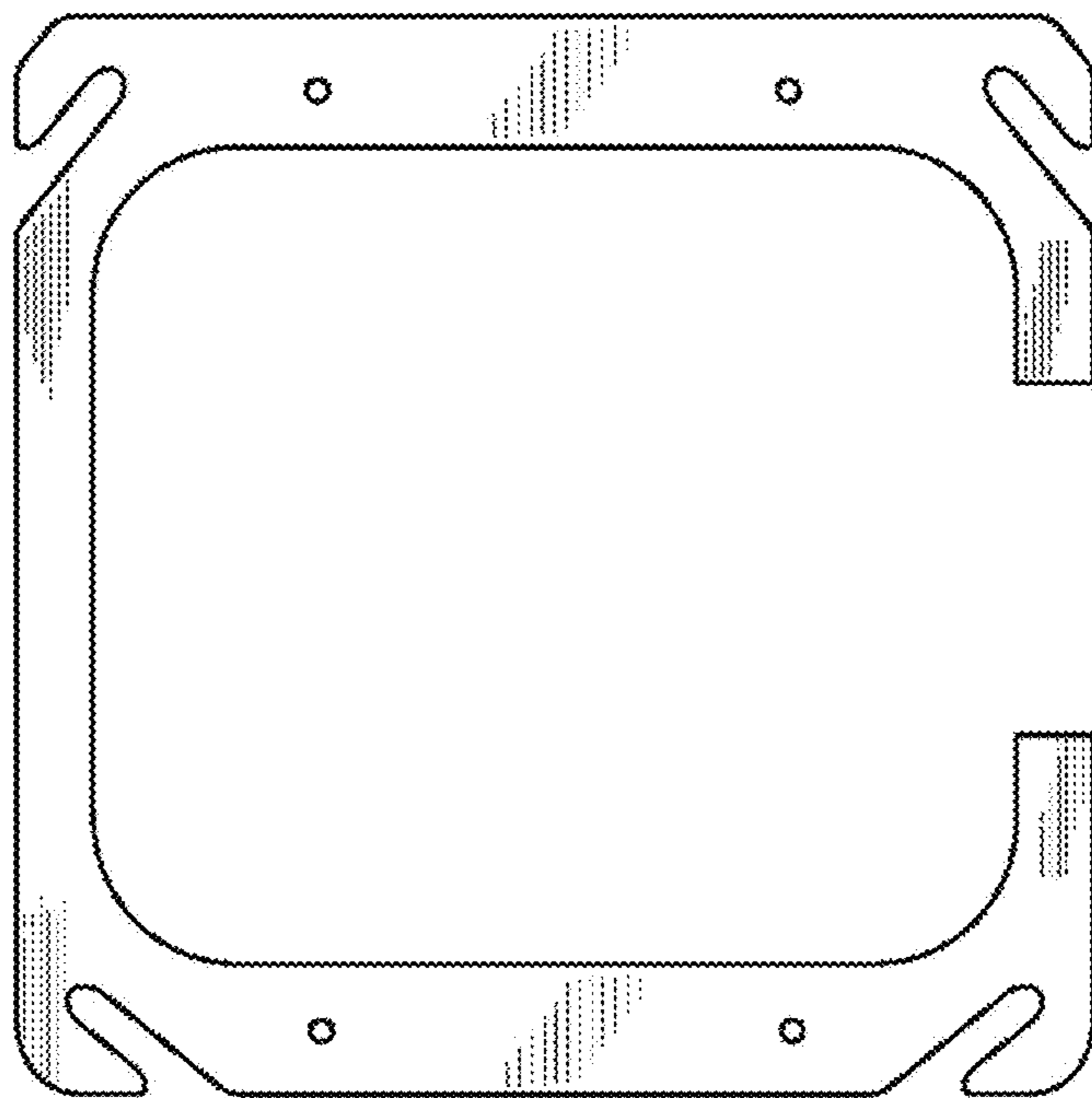


FIG. 9

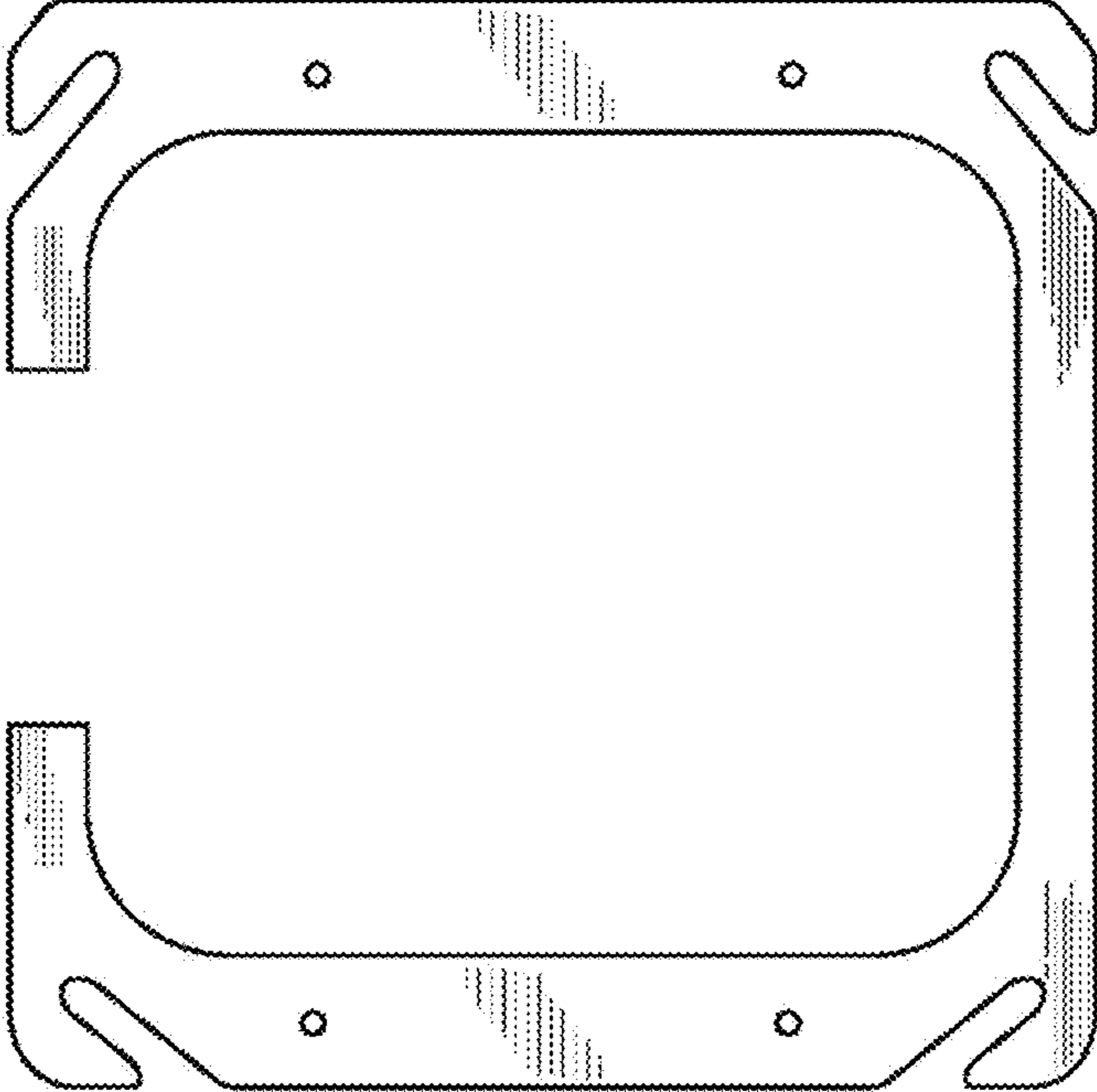


FIG. 10

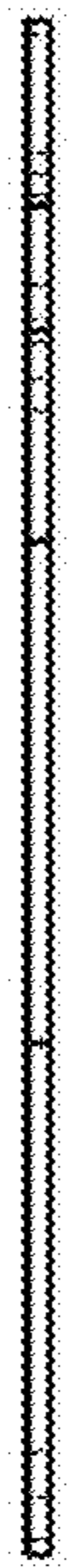


FIG. 11

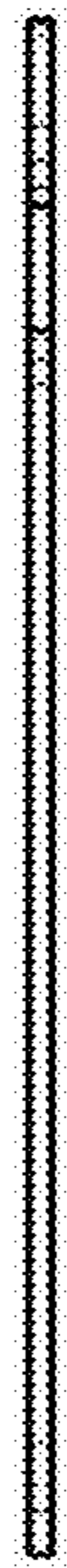


FIG. 12



FIG. 13

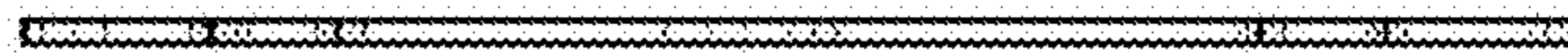


FIG. 14

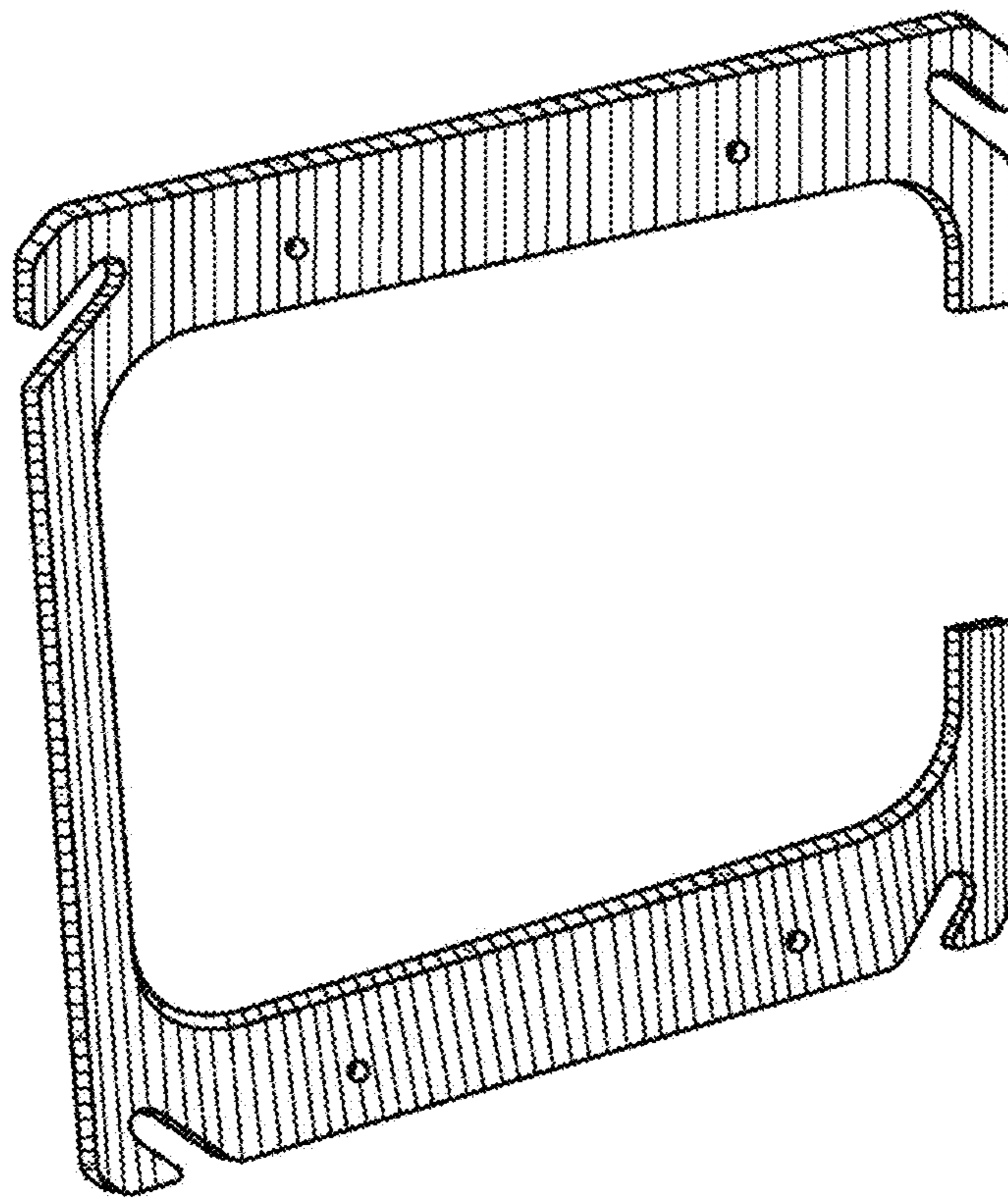


FIG. 15

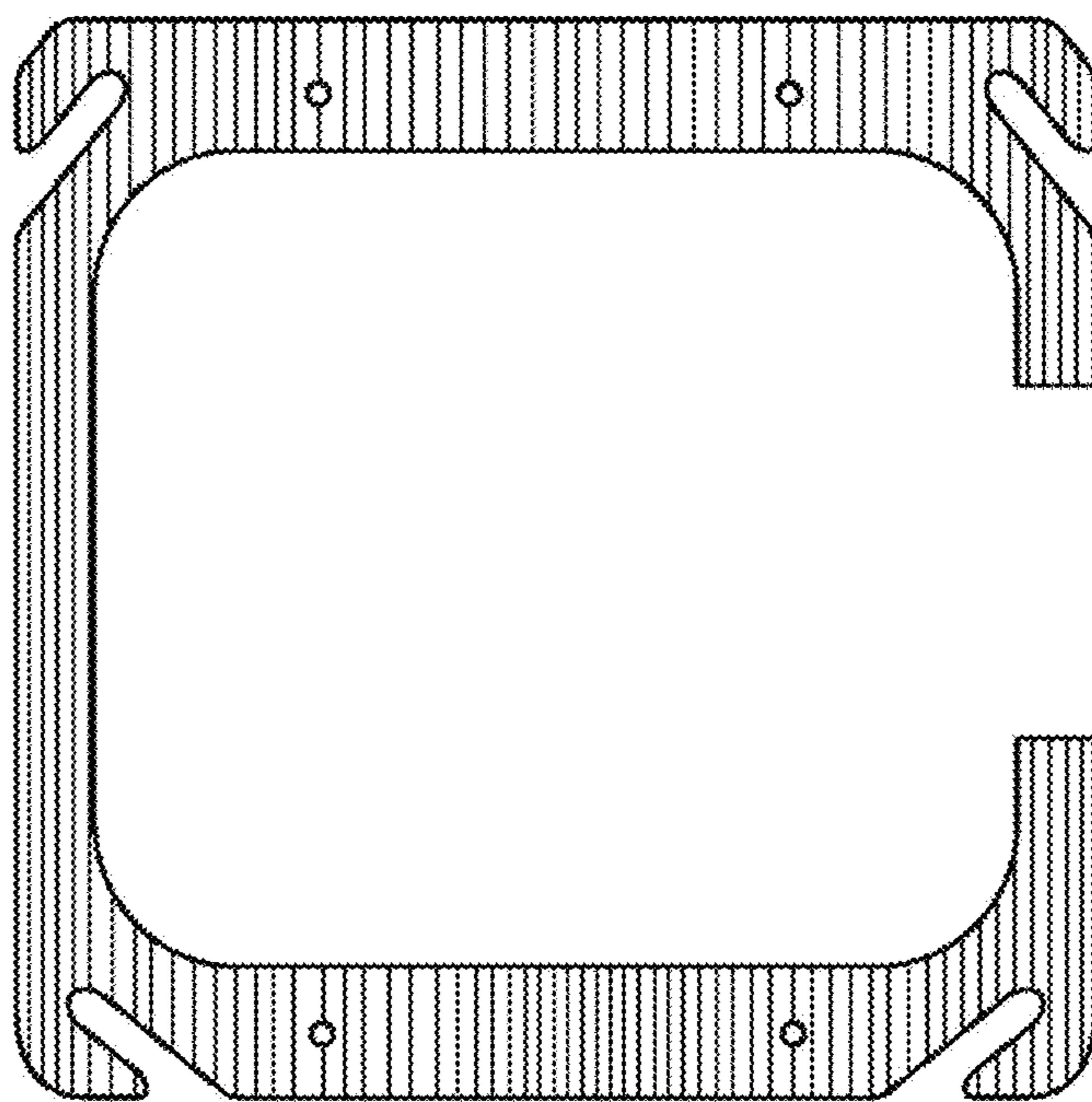


FIG. 16

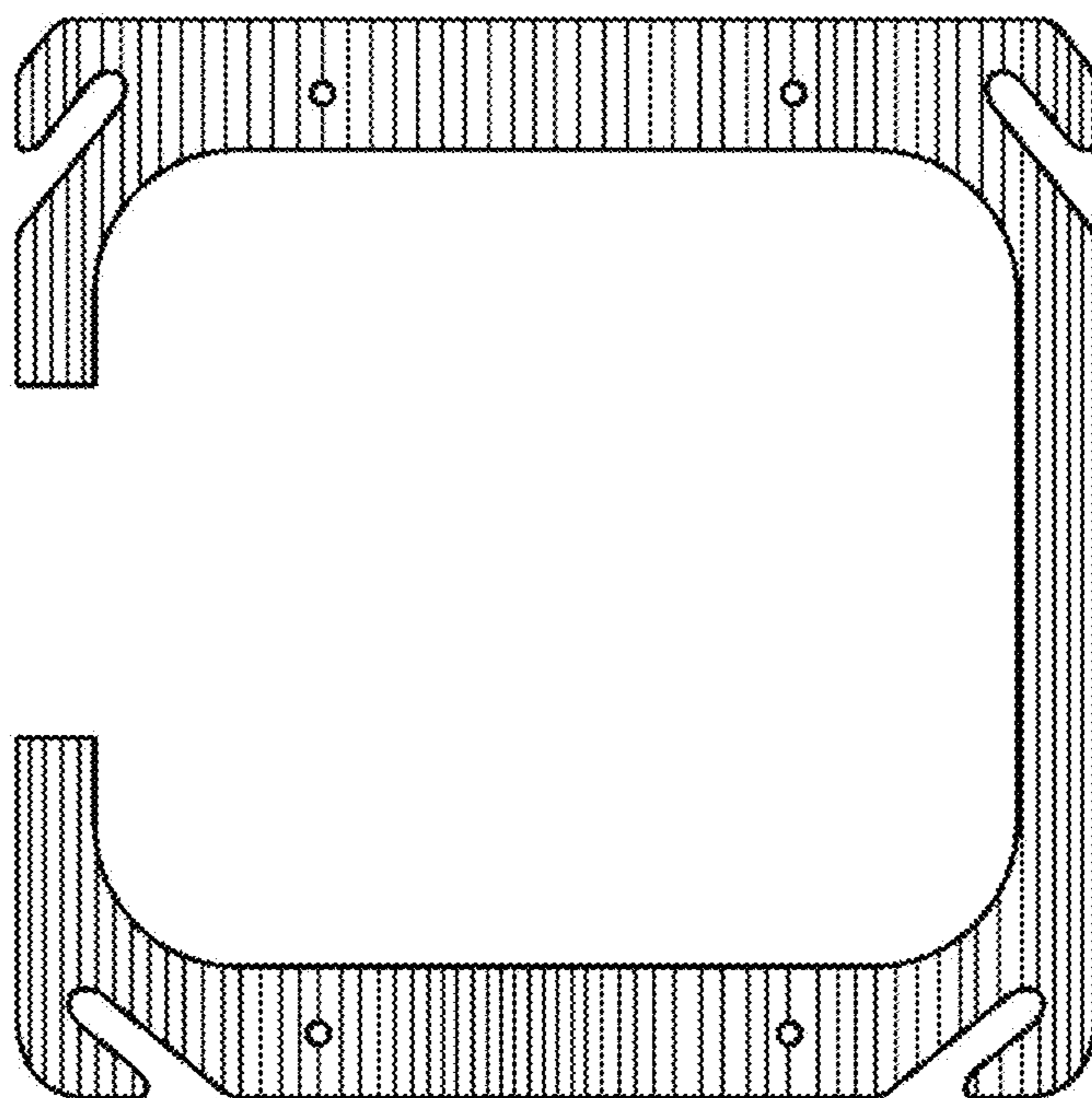


FIG. 17

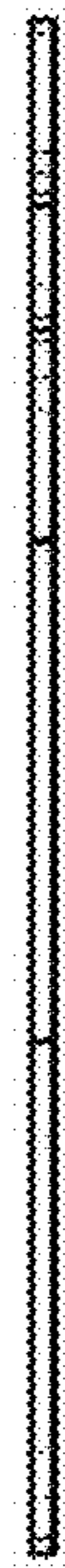


FIG. 18

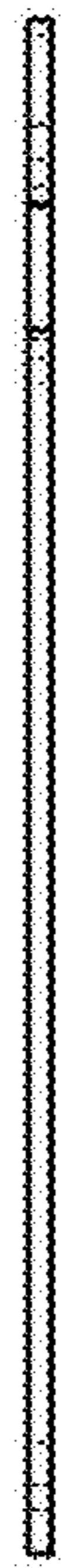


FIG. 19



FIG. 20

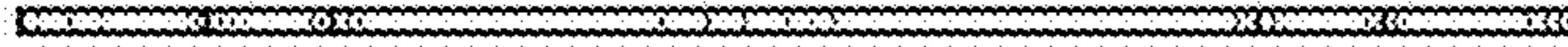


FIG. 21