



US00D930492S

(12) **United States Design Patent**  
**Yang et al.**

(10) **Patent No.:** **US D930,492 S**  
(45) **Date of Patent:** **\*\* Sep. 14, 2021**

(54) **BODY FAT WEIGHT SCALE**  
(71) Applicant: **ETEK CITY CORPORATION**,  
Anaheim, CA (US)

D883,118 S \* 5/2020 Centen ..... D10/91  
D895,463 S \* 9/2020 Wen ..... D10/92  
D895,464 S \* 9/2020 Wang ..... D10/92  
(Continued)

(72) Inventors: **Lin Yang**, Shenzhen (CN); **Hai Yang**,  
Shenzhen (CN)

FOREIGN PATENT DOCUMENTS

CN 303094806 \* 8/2014  
CN 304587960 \* 9/2017  
(Continued)

(\*\*) Term: **15 Years**

(21) Appl. No.: **29/717,508**

OTHER PUBLICATIONS

(22) Filed: **Dec. 18, 2019**

WONGKUO Store, Scale, Date first available Apr. 8, 2019,  
[online]retrieved Apr. 26, 2021,available from [https://www.amazon.com/dp/B07QHXSPLY/ref=sspa\\_dk\\_detail\\_9?psc=1&pd\\_rd\\_i=B07QHXSPLY&pd\\_rd\\_w=NjslT&pf\\_rd\\_p=085568d9-3b13-4ac1-8ae4-24a26c00cb0c&pd\\_rd\\_wg=xx7s9&pf\\_rd\\_r=748J76ZKDNDNDNDCDSYTKZ&pd\\_rd\\_r=1d672ee4](https://www.amazon.com/dp/B07QHXSPLY/ref=sspa_dk_detail_9?psc=1&pd_rd_i=B07QHXSPLY&pd_rd_w=NjslT&pf_rd_p=085568d9-3b13-4ac1-8ae4-24a26c00cb0c&pd_rd_wg=xx7s9&pf_rd_r=748J76ZKDNDNDNDCDSYTKZ&pd_rd_r=1d672ee4) (Year: 2019).  
(Continued)

(51) **LOC (13) Cl.** ..... **10-04**

(52) **U.S. Cl.**  
USPC ..... **D10/92; D10/91**

(58) **Field of Classification Search**  
USPC ..... D10/91, 92, 46, 83, 87; 177/128, 256,  
177/74, 179  
CPC ..... G01G 21/286; G01G 21/28; G01G 21/00;  
G01G 21/30; G01G 23/3728; G01G  
23/3735; G01G 19/44; G01G 3/14; G01G  
19/46; G01G 19/48; G01G 19/50; G01G  
21/44; G01G 19/414; G01G 19/4144;  
G01G 19/42; F16F 1/123; A61B 5/053;  
A61B 5/4872; A61B 5/0537; A61B  
5/4869; A61B 5/6825; A61B 5/6829;  
A61B 5/7445; G06Q 20/3678; G06Q  
20/387; G06Q 20/065; G06Q 20/36;  
G06Q 20/06; G09B 19/00

See application file for complete search history.

*Primary Examiner* — Keli L Hill  
*Assistant Examiner* — Sara S Sahneh  
(74) *Attorney, Agent, or Firm* — Tsz Lung Yeung

(57) **CLAIM**

The ornamental design for a body fat weight scale, as shown  
and described.

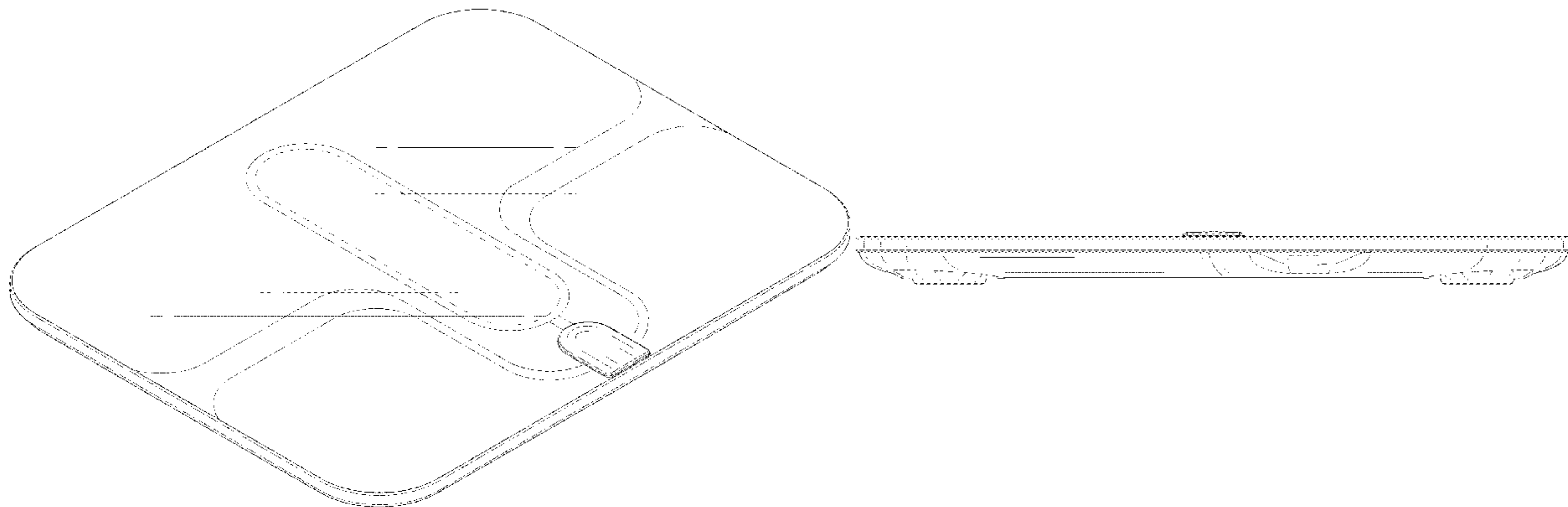
**DESCRIPTION**

FIG. 1 is a perspective view of a body fat weight scale  
showing my new design;  
FIG. 2 is a front view thereof;  
FIG. 3 is a rear view thereof;  
FIG. 4 is a right side view thereof;  
FIG. 5 is a left side view thereof;  
FIG. 6 is a top view thereof;  
FIG. 7 is a bottom view thereof;  
FIG. 8 is a perspective view of the glass element of the body  
fat weight scale; and,  
FIG. 9 is a front view thereof.

(Continued)

(56) **References Cited**  
U.S. PATENT DOCUMENTS

D700,091 S \* 2/2014 Ogihara ..... D10/92  
D718,162 S \* 11/2014 Kobayakawa ..... D10/92  
D796,361 S \* 9/2017 Bihan ..... D10/92  
D808,287 S \* 1/2018 Liang ..... D10/92  
D808,288 S \* 1/2018 Yu ..... D10/92  
D853,260 S \* 7/2019 Wang ..... D10/92  
D860,841 S \* 9/2019 Wang ..... D10/92  
D873,688 S \* 1/2020 Fu ..... D10/92



The broken lines depict portions of the body fat weight scale that form no part of the claimed design.

1 Claim, 9 Drawing Sheets

(56)

References Cited

U.S. PATENT DOCUMENTS

D897,226 S \* 9/2020 Jiang ..... D10/92
D912,554 S \* 3/2021 Liu ..... D10/92

FOREIGN PATENT DOCUMENTS

CN 305254471 \* 7/2019
CN 306389880 \* 8/2020
EM 002242206-0007 \* 5/2013
EM 003844216-0001 \* 4/2017
EM 006588091-0001 \* 6/2019

OTHER PUBLICATIONS

Etekcity Store, Smart Scale, Date first available Feb. 13, 2019, [online]retrieved Apr. 26, 2021,available from https://www.amazon.com/dp/B07GQF1V66/ref=sspa\_dk\_detail\_7?psc=1&pd\_rd\_i=B07GQF1V66&pd\_rd\_w=zMOSd&pf\_rd\_p=085568d9-3b13-4ac1-8ae4-24a26c00cb0c&pd\_rd\_wg=WHq3R&pf\_rd\_r=Y14ZEGG3TMAMP8SY53TQ&pd\_rd (Year: 2019).\*

Etekcity Store, Smart Digital Bathroom Weight Scale, Date first available Mar. 1, 2019, [online]retrieved Apr. 30, 2021,available from https://www.amazon.com/dp/B07MBPF2HW/ref=sspa\_dk\_detail\_4?psc=1&pd\_rd\_i=B07MBPF2HW&pd\_rd\_w=kJVz5&pf\_rd\_p=7771f1a2-d77a-4098-a19e-6d9a1e65f44d&pd\_rd\_wg=zVxnn&pf\_rd\_r=AN10CJ (Year: 2019).\*

Eufy Store, Smart Scale, Date first available Nov. 6, 2018, [online]retrieved Apr. 30, 2021,available from https://www.amazon.com/eufy-Bluetooth-Measurements-Composition-Analysis/dp/B07GZBXCH6/ref=pd\_di\_sccai\_6?pd\_rd\_w=661Mg&pf\_rd\_p=c9443270-b914-4430-a90b-72e3e7e784e0&pf\_rd\_r=65AX5EJY431KH2JHV8DQ&pd\_ (Year: 2018).\*

\* cited by examiner

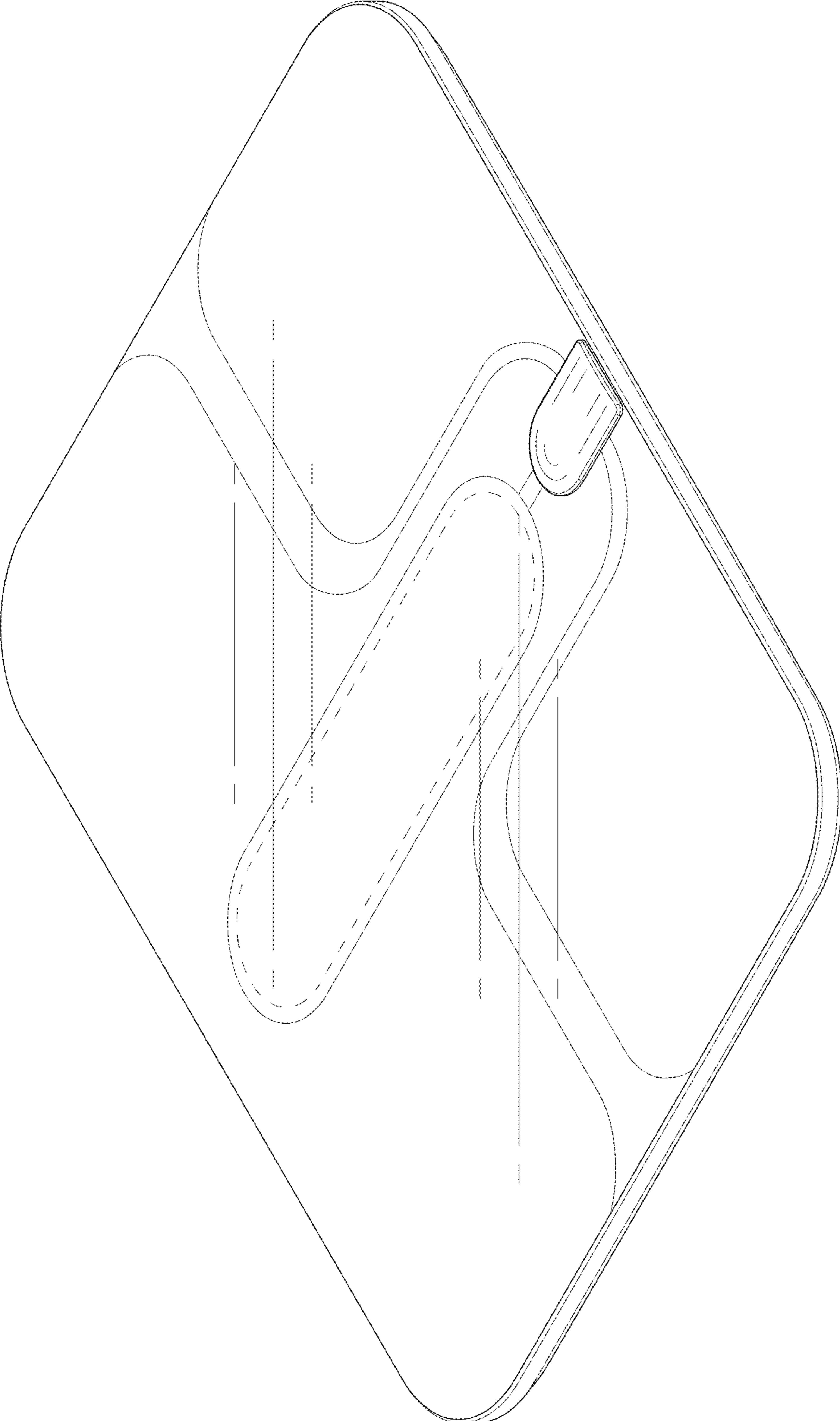


FIG. 1

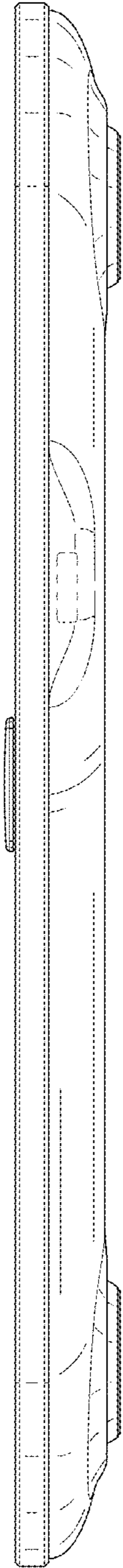
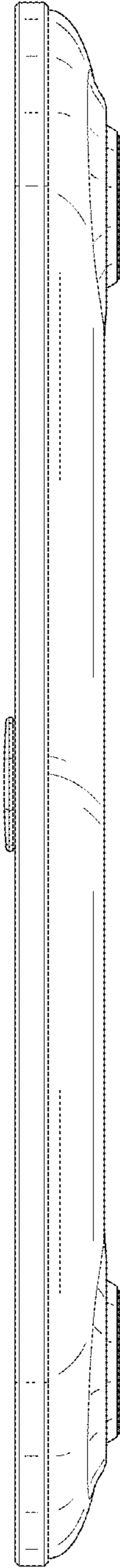
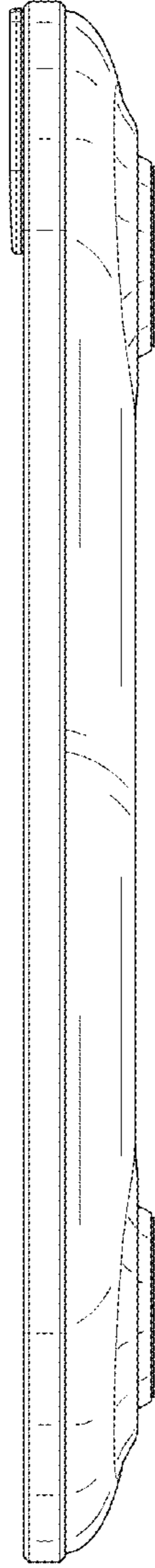


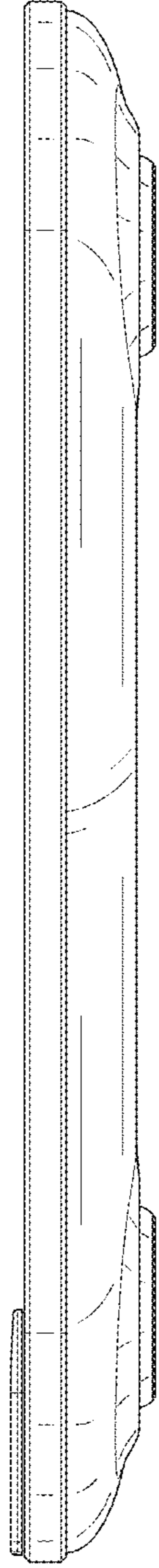
FIG. 2



*FIG. 3*



*FIG. 4*



*FIG. 5*

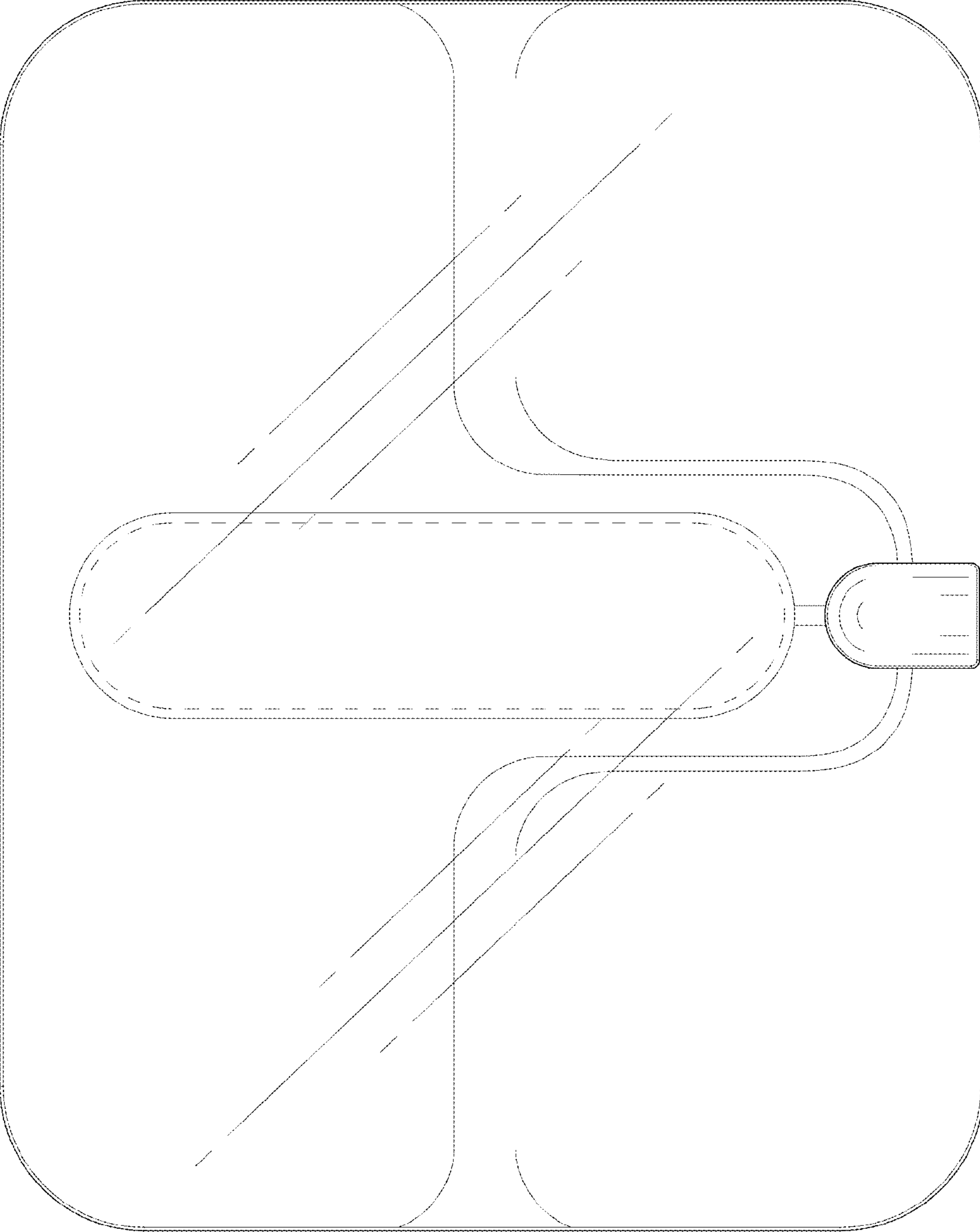


FIG. 6



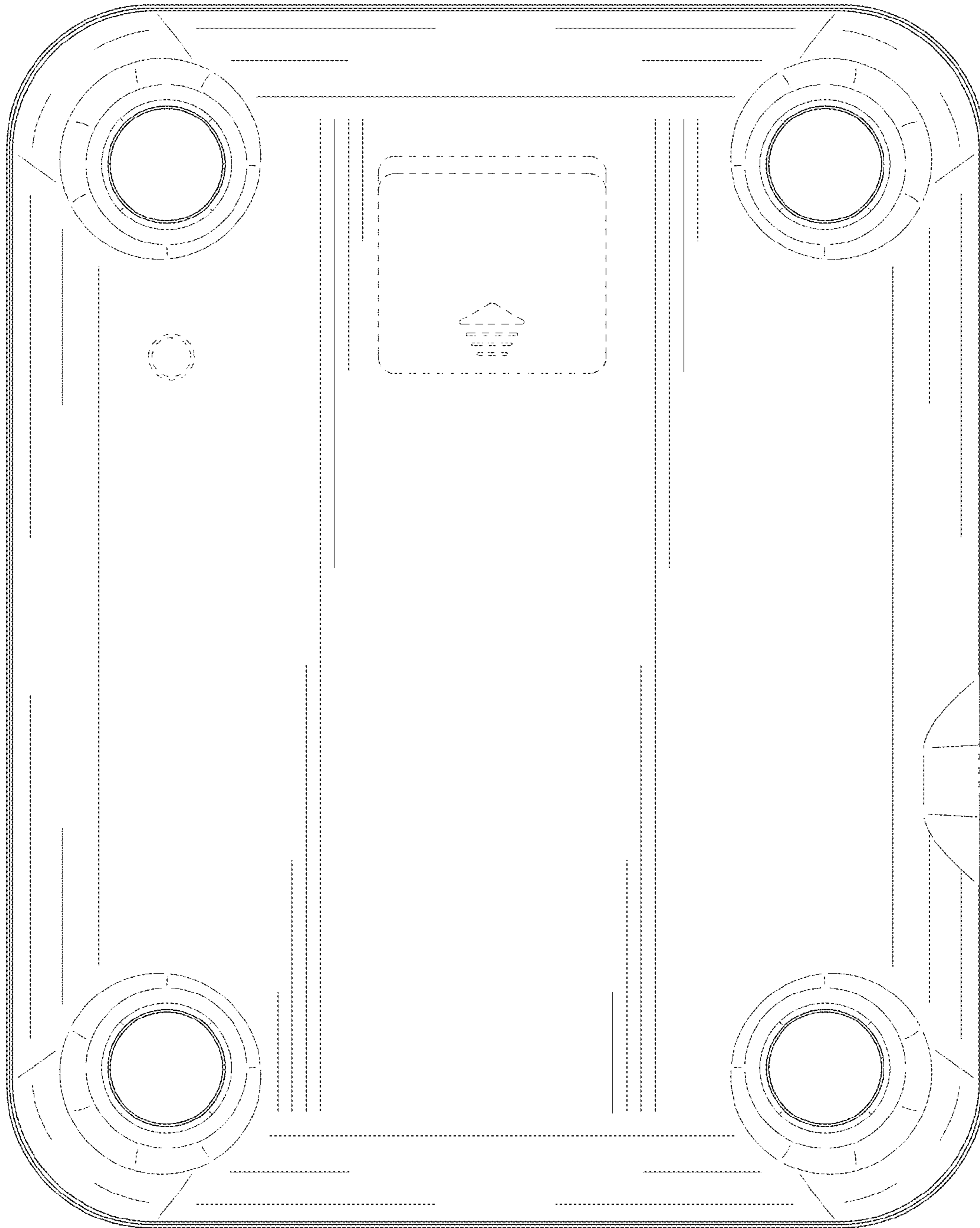
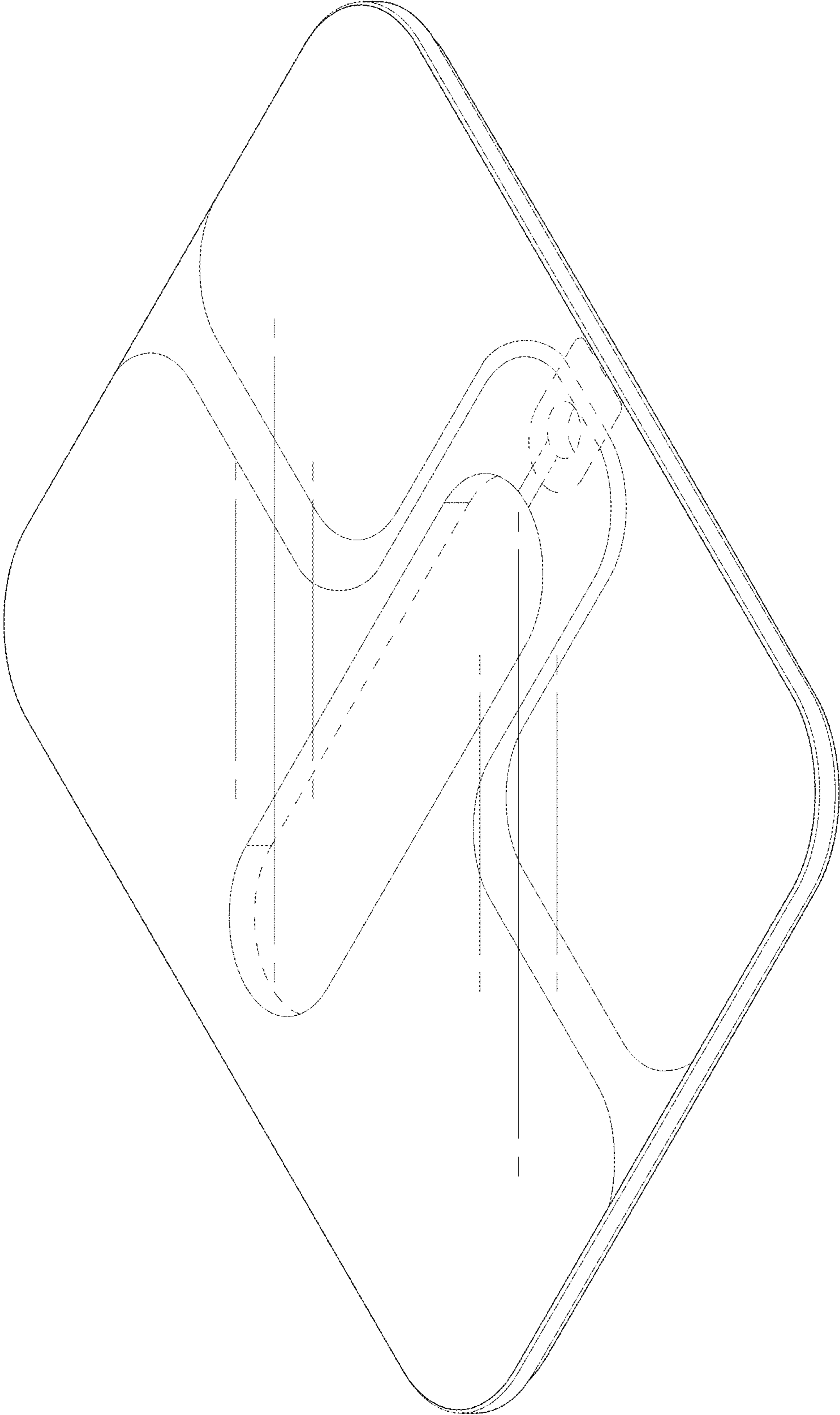
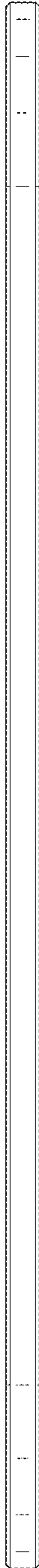


FIG. 7



*FIG. 8*



*FIG. 9*