



US00D930489S

(12) **United States Design Patent**  
**Tong**

(10) **Patent No.:** **US D930,489 S**

(45) **Date of Patent:** **\*\* Sep. 14, 2021**

(54) **DETECTOR**

(71) Applicant: **Ningbo Hengbo Telecommunication Co., Ltd., Zhejiang (CN)**

(72) Inventor: **Junyu Tong, Zhejiang (CN)**

(73) Assignee: **Ningbo Hengbo Telecommunication Co., Ltd., Ningbo (CN)**

(\*\*) Term: **15 Years**

(21) Appl. No.: **29/695,540**

(22) Filed: **Jun. 20, 2019**

(30) **Foreign Application Priority Data**

Jun. 10, 2019 (CN) ..... 201930295662.X

(51) **LOC (13) Cl.** ..... **10-04**

(52) **U.S. Cl.**  
USPC ..... **D10/70; D10/106.6**

(58) **Field of Classification Search**  
USPC ..... D10/78, 70, 106.6; D26/51  
CPC ..... G08B 13/00; G08B 13/02; G08B 13/04;  
G08B 13/06; G08B 13/08; G08B 13/10;  
G08B 13/12; G08B 13/122; G08B  
13/124; G08B 13/126; G08B 13/128;  
G08B 13/14; G08B 13/1409; G08B  
13/1418; G08B 13/1427; G08B 13/1436;  
G08B 13/1445; G08B 13/1463; G08B  
13/1472; G08B 13/1481; G08B 13/149;  
G08B 13/16; G08B 13/1609; G08B  
13/1618; G08B 13/1627; G08B 13/1636;  
G08B 13/1645; G08B 13/1654; G08B  
13/1663; G08B 13/1672; G08B 13/1681;  
G08B 13/169; G08B 13/18; G08B  
13/181; G08B 13/183; G08B 13/184;  
G08B 13/186; G08B 13/187; G08B  
13/189; G08B 13/1895; G08B 13/19;  
G08B 13/191; G08B 13/193; G08B  
13/194; G08B 13/196; G08B 13/19602;  
G08B 13/19608; G08B 13/1961; G08B  
13/19613; G08B 13/19615; G08B

13/19617; G08B 13/19619; G08B  
13/19621; G08B 13/19623; G08B  
13/19626; G08B 13/19628; G08B  
13/1963; G08B 13/19632; G08B  
13/19634; G08B 13/19636; G08B  
13/19639; G08B 13/19641; G08B  
13/19643; G08B 13/19645; G08B  
13/19647; G08B 13/1965; G08B  
13/19652; G08B 13/19654; G08B  
13/19656; G08B 13/19658; G08B  
13/1966; G08B 13/19663; G08B  
13/19665; G08B 13/19667; G08B  
13/19669; G08B 13/19671; G08B

(Continued)

(56) **References Cited**

**U.S. PATENT DOCUMENTS**

D339,758 S \* 9/1993 Warrington ..... D10/106.6

**FOREIGN PATENT DOCUMENTS**

CN 2896392 Y 5/2007  
CN 305159645 S 5/2019  
CN 306358273 S 3/2021

\* cited by examiner

*Primary Examiner* — Antoine Duval Davis

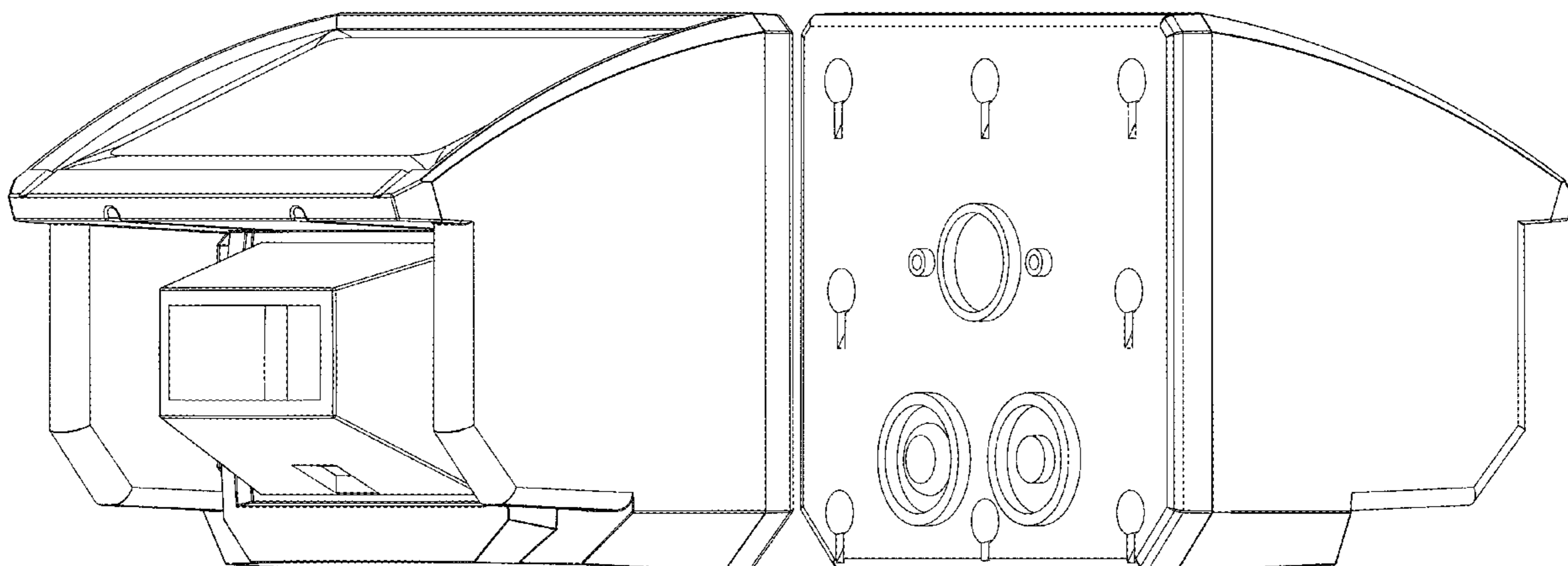
(57) **CLAIM**

The ornamental design for a detector, as shown and described.

**DESCRIPTION**

FIG. 1 is a front elevation view of a detector showing my new design;  
FIG. 2 is a back elevation view thereof;  
FIG. 3 is a right side view thereof;  
FIG. 4 is a left side view thereof;  
FIG. 5 is a bottom plan view thereof.  
FIG. 6 is a top plan view thereof;  
FIG. 7 is a perspective view thereof; and,  
FIG. 8 is another perspective view thereof.

(Continued)



The broken lines in the figures form no part of the claimed design.

**1 Claim, 8 Drawing Sheets**

**(58) Field of Classification Search**

CPC . 13/19673; G08B 13/19676; G08B 13/19678;  
G08B 13/1968; G08B 13/19682; G08B  
13/19684; G08B 13/19686; G08B  
13/19689; G08B 13/19691; G08B  
13/19693; G08B 13/19695; G08B  
13/19697; G08B 13/20; G08B 13/22;  
G08B 13/24; G08B 13/2402; G08B  
13/2405; G08B 13/2408; G08B 13/2411;  
G08B 13/2414; G08B 13/2417; G08B  
13/242; G08B 13/2422; G08B 13/2425;  
G08B 13/2428; G08B 13/2431; G08B  
13/2434; G08B 13/2437; G08B 13/244;  
G08B 13/2442; G08B 13/2445; G08B  
13/2448; G08B 13/2451; G08B 13/2454;  
G08B 13/2457; G08B 13/246; G08B  
13/2462; G08B 13/2465; G08B 13/2468;  
G08B 13/2471; G08B 13/2474; G08B  
13/2477; G08B 13/248; G08B 13/2482;  
G08B 13/2485; G08B 13/2488; G08B  
13/2491; G08B 13/2492; G08B 13/2497;  
G08B 13/26; G08B 13/16169; G08B  
17/12; G01V 8/20; H03K 17/941; H03K  
2017/9455; H03K 17/9505; H03K  
17/9622; H03K 17/9627; H05B 37/0227

See application file for complete search history.

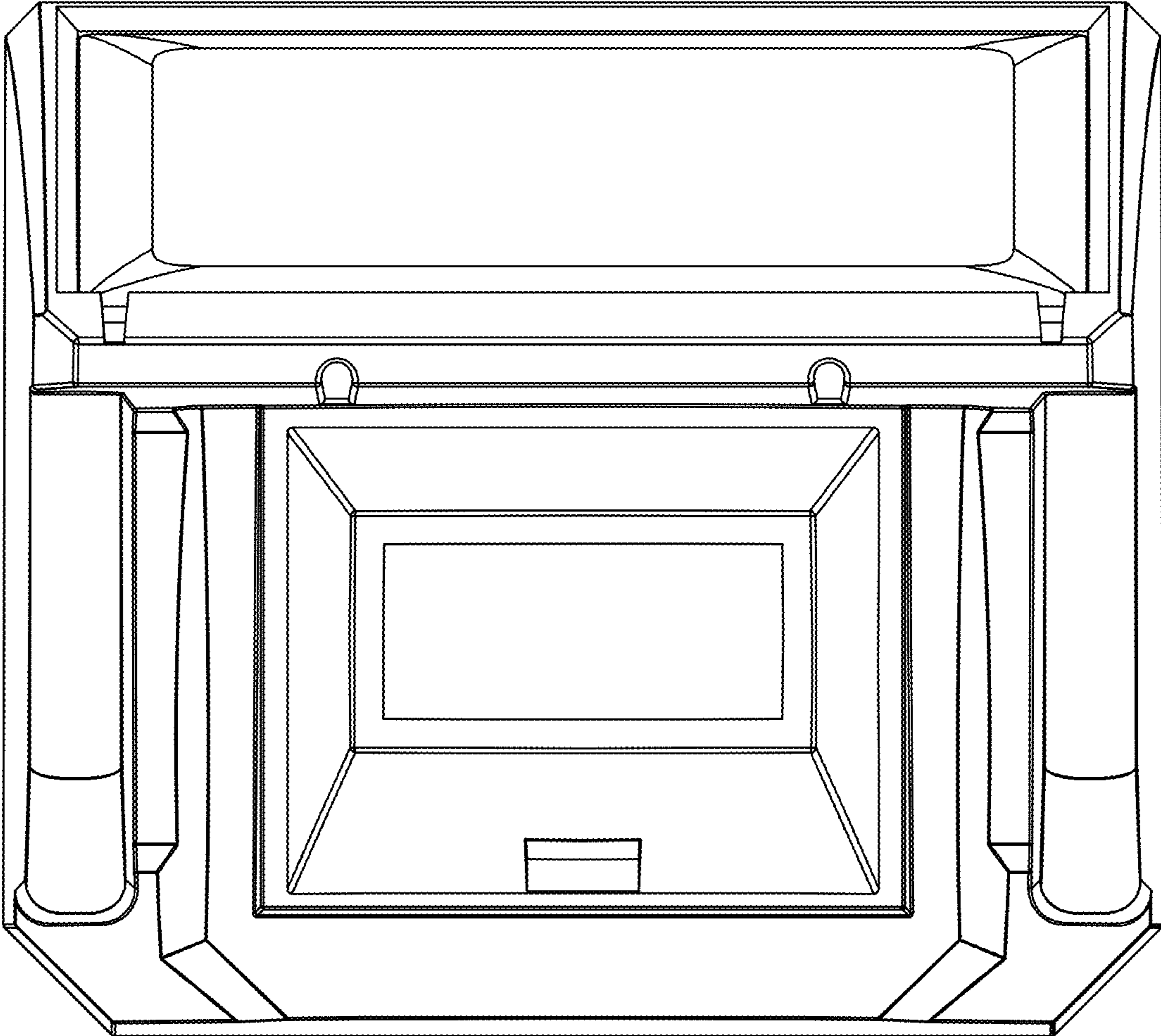


FIG. 1

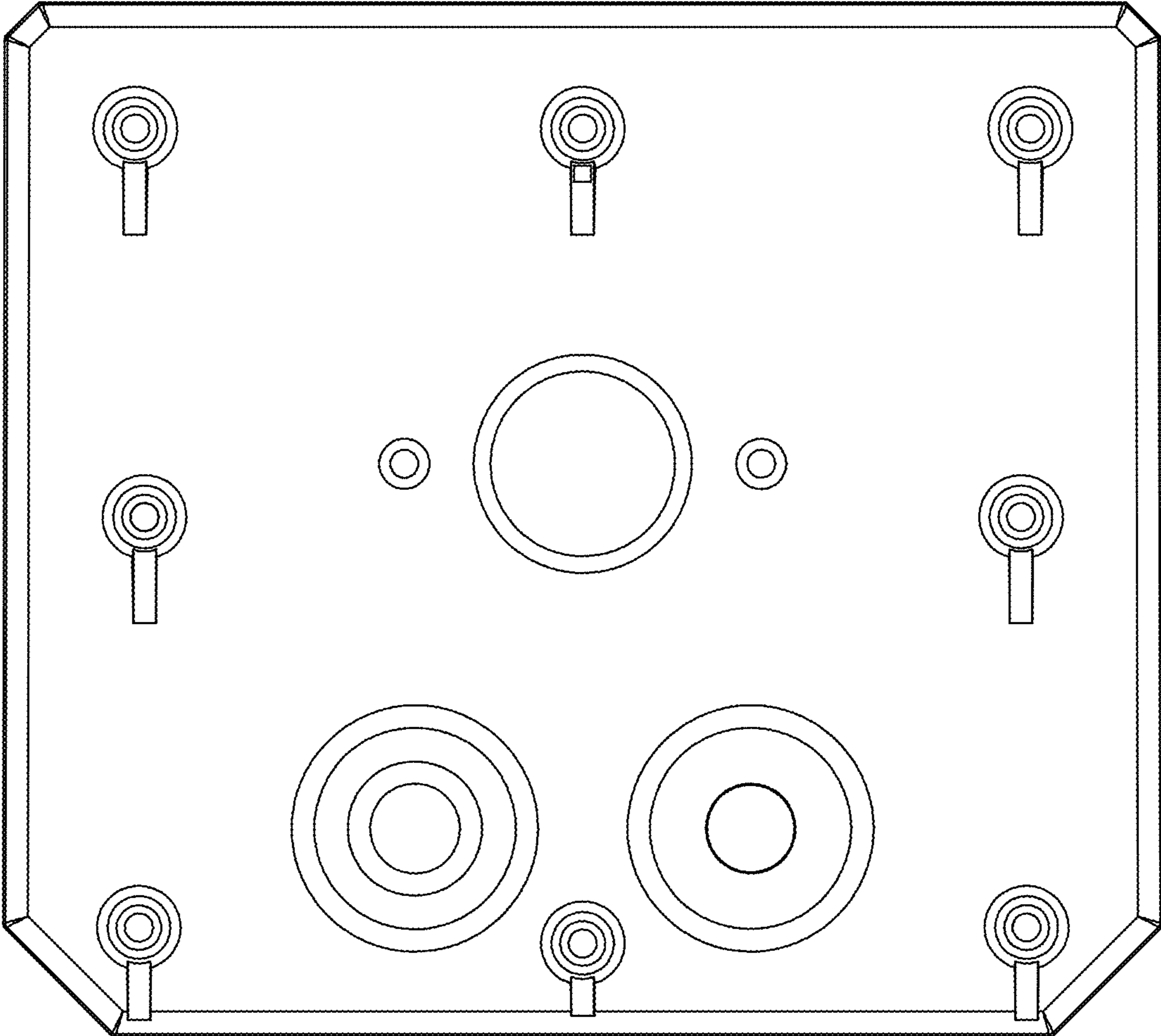


FIG. 2



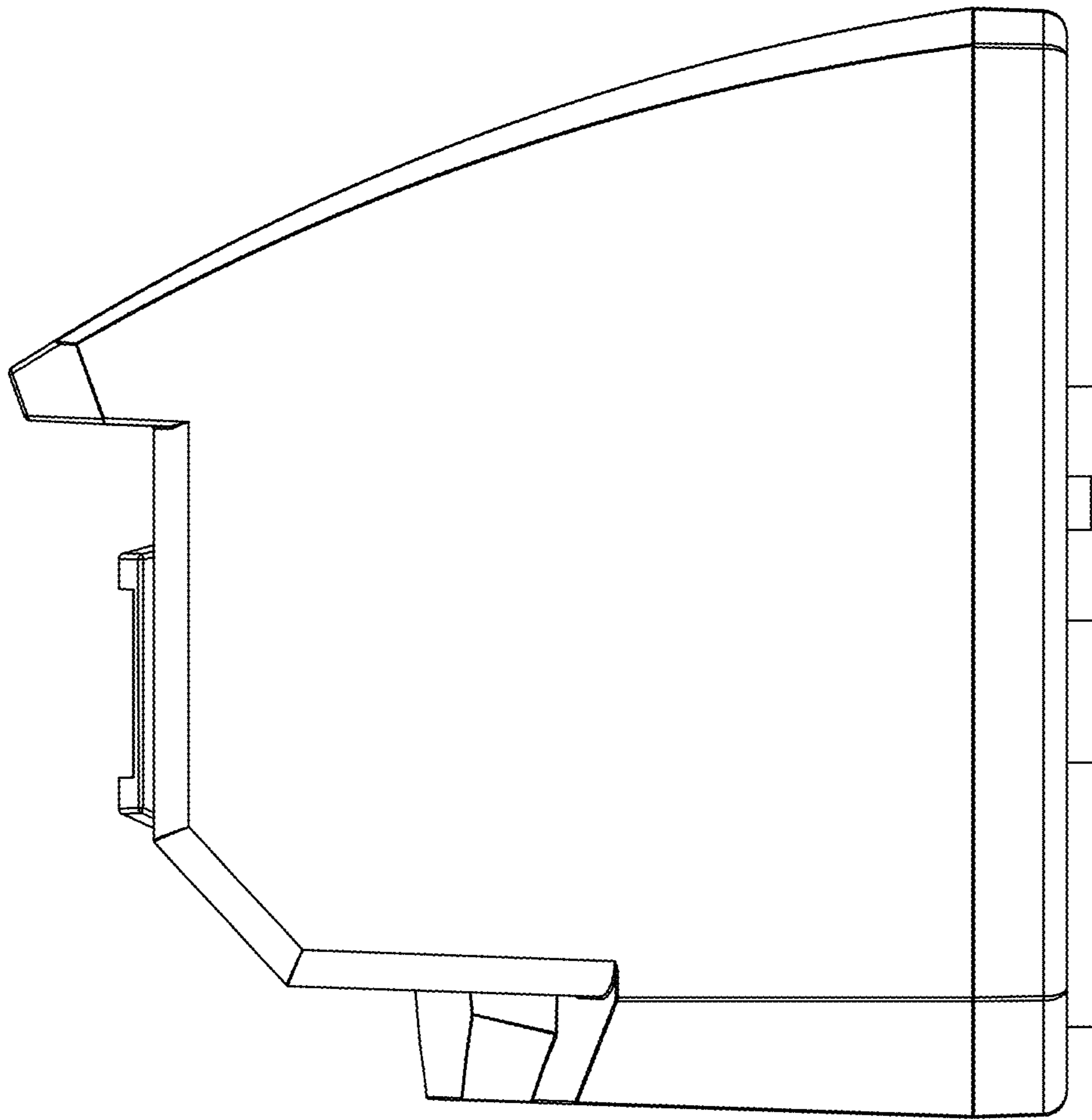


FIG. 3

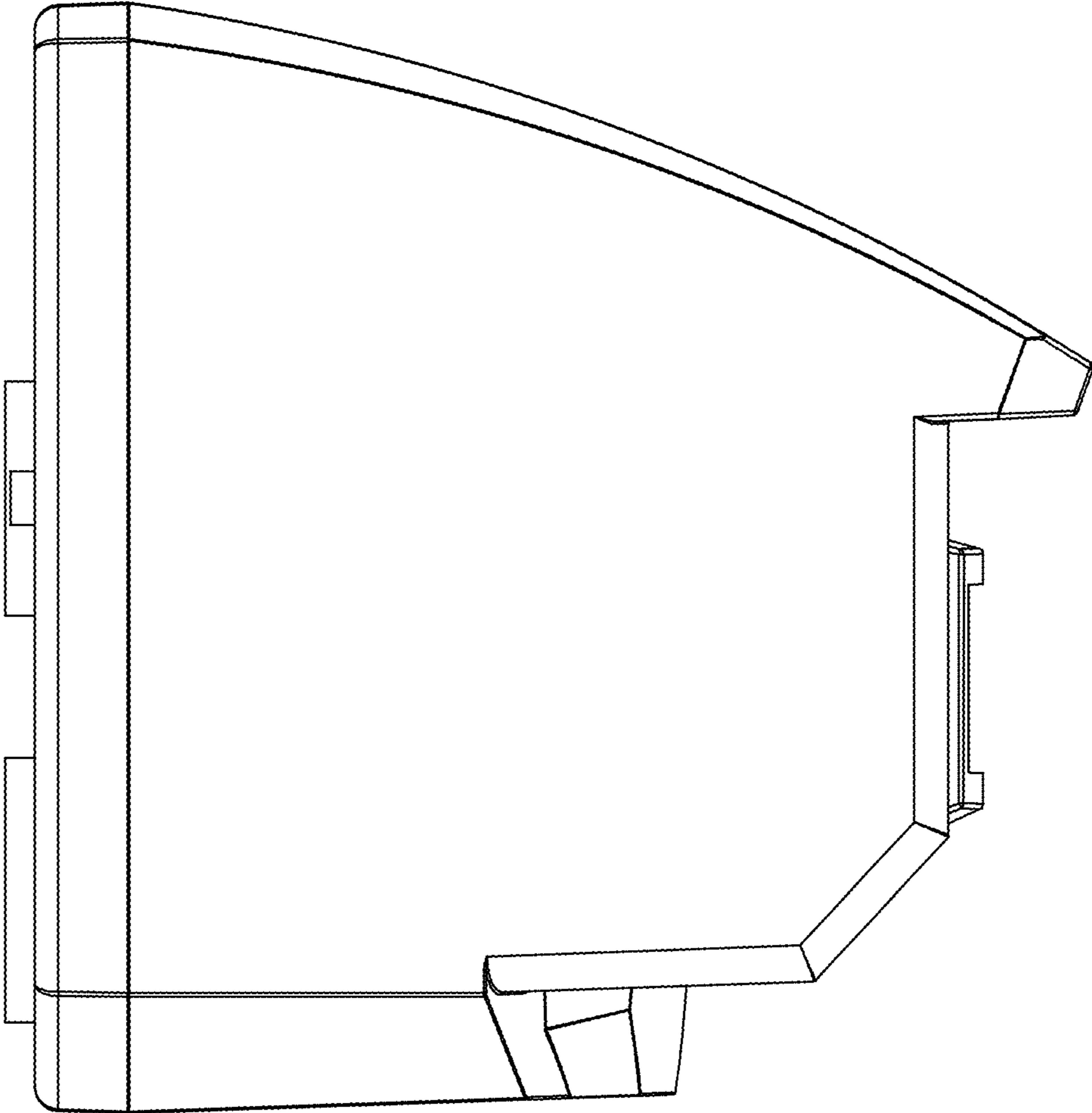


FIG. 4

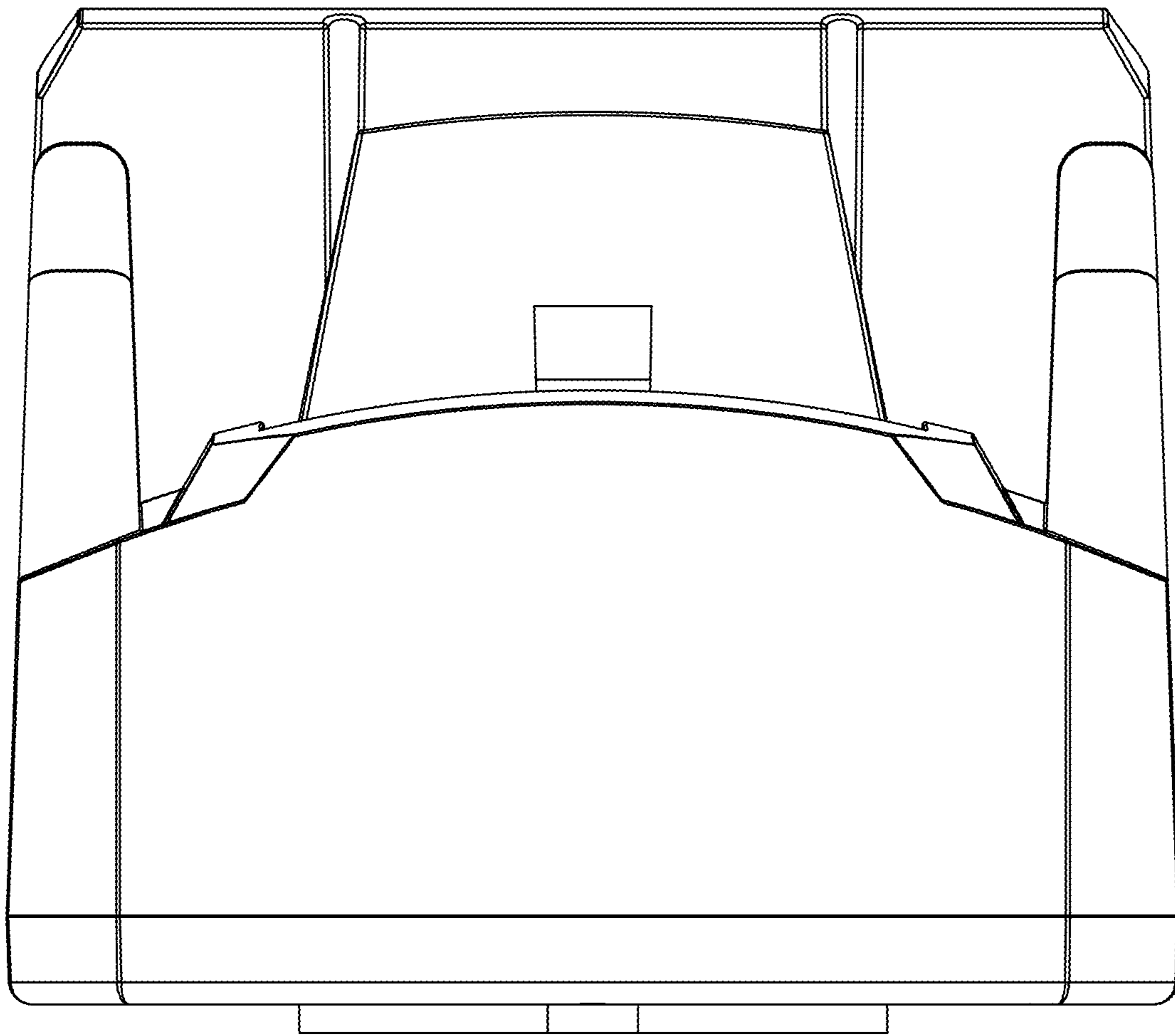


FIG. 5

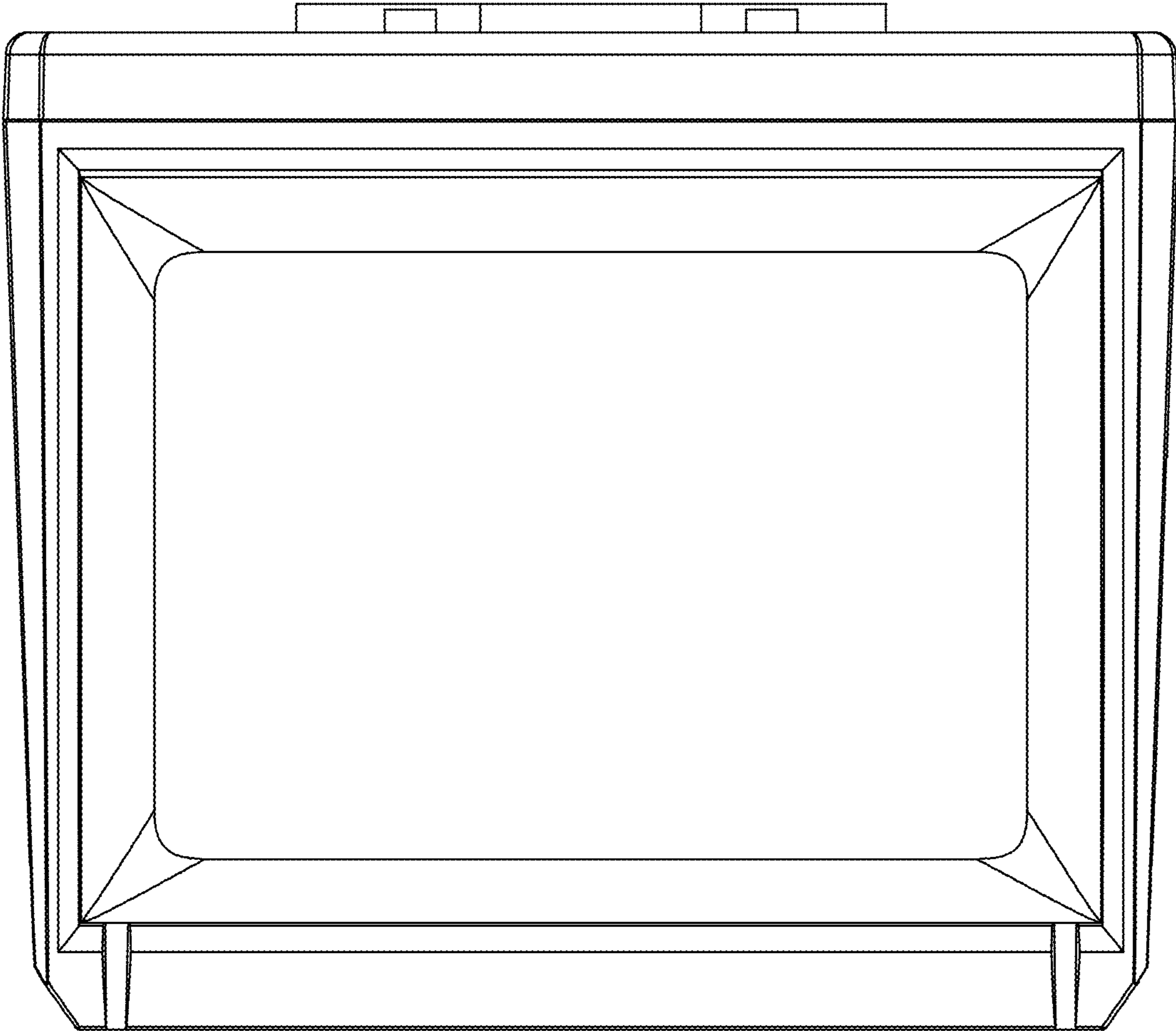


FIG. 6



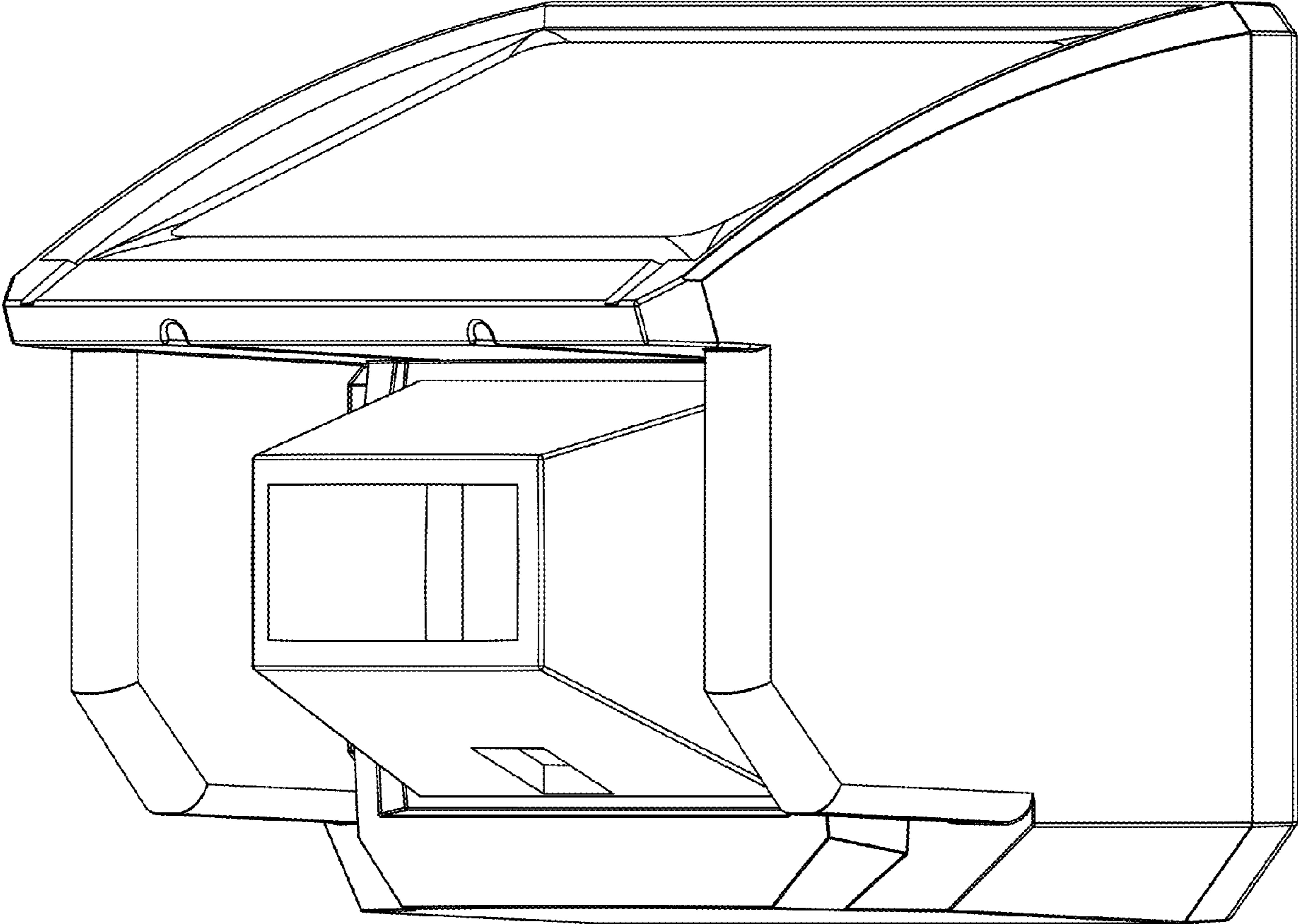


FIG. 7

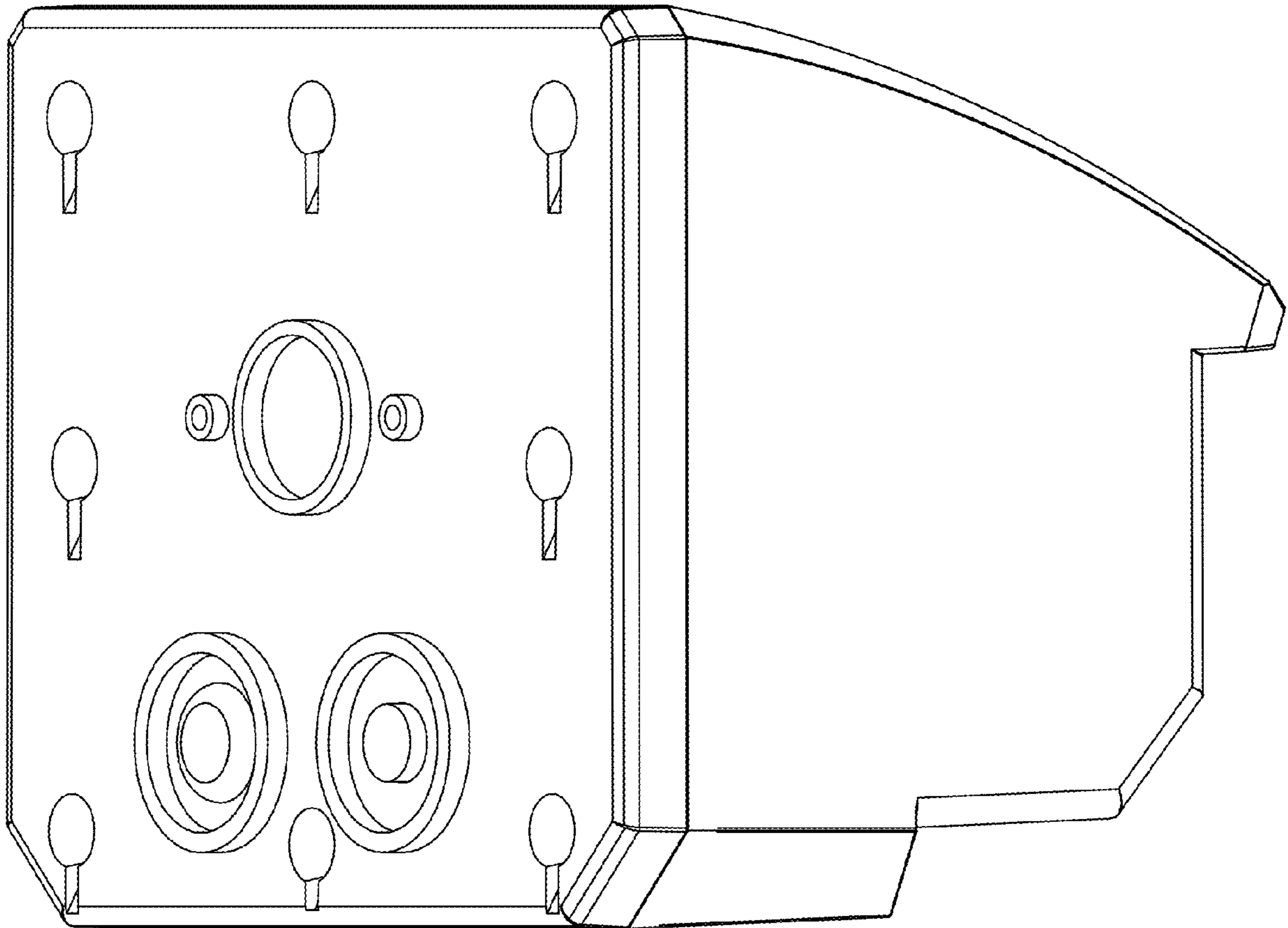


FIG. 8