



US00D930488S

(12) **United States Design Patent**
Tong

(10) **Patent No.:** **US D930,488 S**

(45) **Date of Patent:** **** Sep. 14, 2021**

(54) **DETECTOR**

(71) Applicant: **Ningbo Hengbo Telecommunication Co., Ltd., Zhejiang (CN)**

(72) Inventor: **Junyu Tong, Zhejiang (CN)**

(73) Assignee: **Ningbo Hengbo Telecommunication Co., Ltd., Ningbo (CN)**

(**) Term: **15 Years**

(21) Appl. No.: **29/695,539**

(22) Filed: **Jun. 20, 2019**

(30) **Foreign Application Priority Data**

Jun. 10, 2019 (CN) 201930295425.3

(51) **LOC (13) Cl.** **10-04**

(52) **U.S. Cl.**
USPC **D10/70; D10/106.6**

(58) **Field of Classification Search**
USPC D10/78, 70, 106.6, 106.8; D26/51
CPC G01K 1/02; G01K 1/022; G01K 1/024;
G01K 1/08; G01K 1/20; G01K 3/005;
G01K 3/06; G01K 13/002; G01K 13/04;
G01V 8/20; G08B 13/1645; G08B 13/16;
G08B 13/1609; G08B 13/1627; G08B
13/1618; G08B 13/1636; G08B 13/1654;
G08B 13/1663; G08B 13/1672; G08B
13/1681; G08B 13/16169; G08B 13/181;
G08B 13/183; G08B 13/184; G08B
13/186; G08B 13/187; G08B 13/189;
G08B 13/1895; G08B 13/19; G08B

13/191; G08B 13/193; G08B 17/12;
H03K 17/941; H03K 2017/9455; H03K
17/9505; H03K 17/9622; H03K 17/9627;
H05B 37/0227

See application file for complete search history.

(56) **References Cited**

U.S. PATENT DOCUMENTS

D339,758 S * 9/1993 Warrington D10/106.6

FOREIGN PATENT DOCUMENTS

CN 2896392 Y 5/2007
CN 305159645 S 5/2019
CN 306358273 S 3/2021

* cited by examiner

Primary Examiner — Antoine Duval Davis

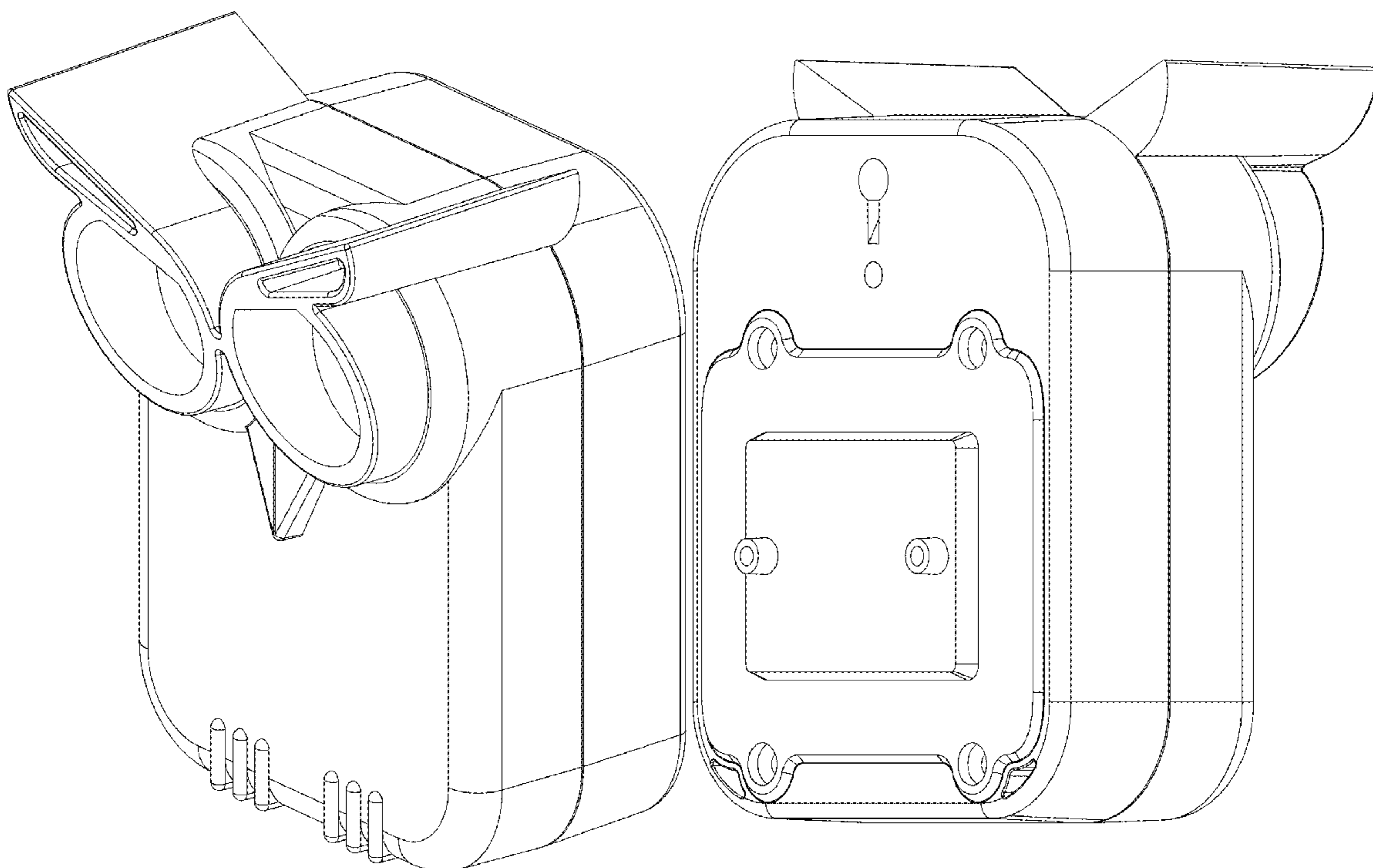
(57) **CLAIM**

The ornamental design for a detector, as shown and described.

DESCRIPTION

FIG. 1 is a front elevation view of a detector showing my new design;
FIG. 2 is a back elevation view thereof;
FIG. 3 is a right side view thereof;
FIG. 4 is a left side view thereof;
FIG. 5 is a bottom plan view thereof.
FIG. 6 is a top plan view thereof;
FIG. 7 is a perspective view thereof; and,
FIG. 8 is another perspective view thereof.

1 Claim, 8 Drawing Sheets



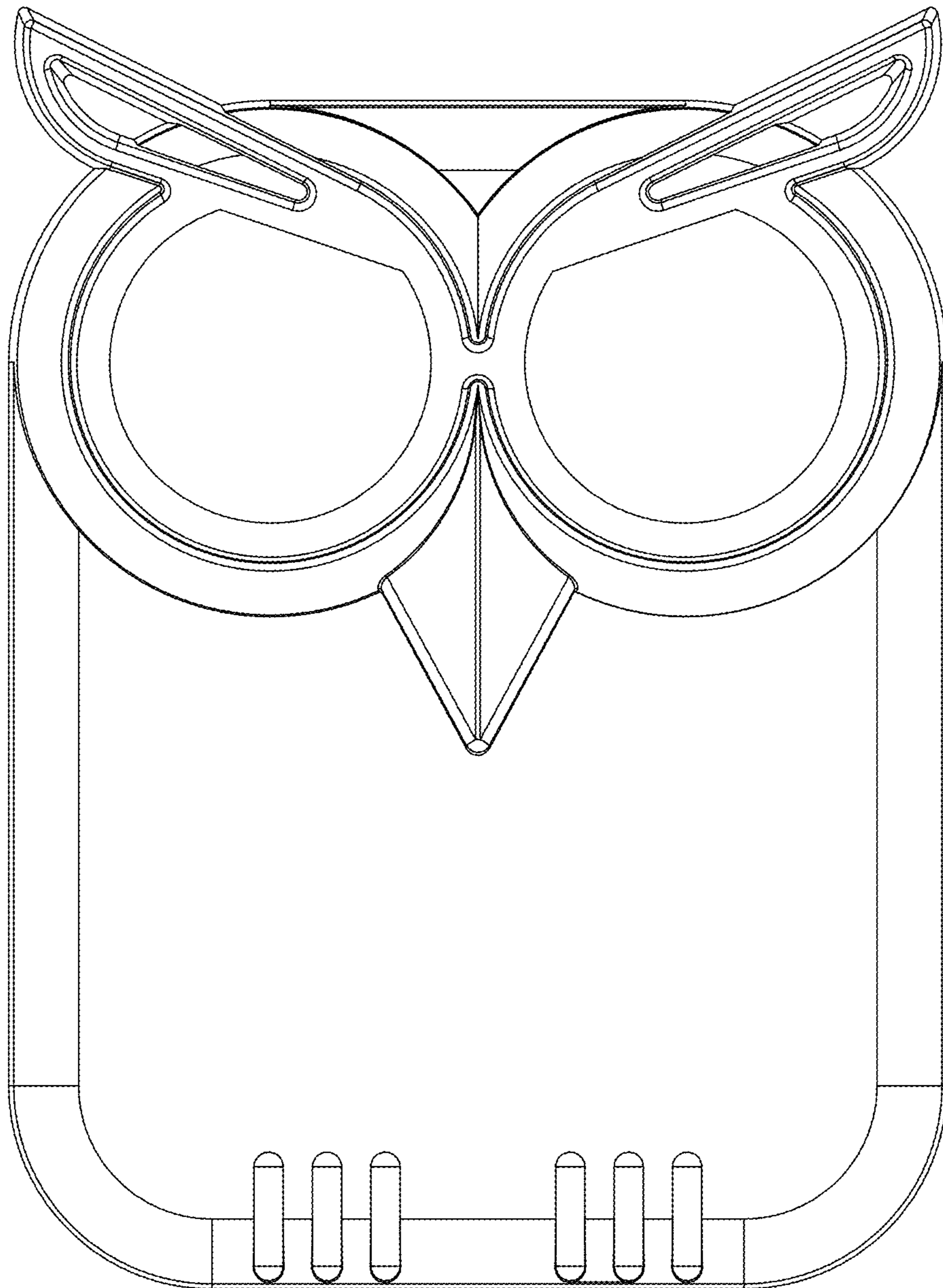


FIG. 1

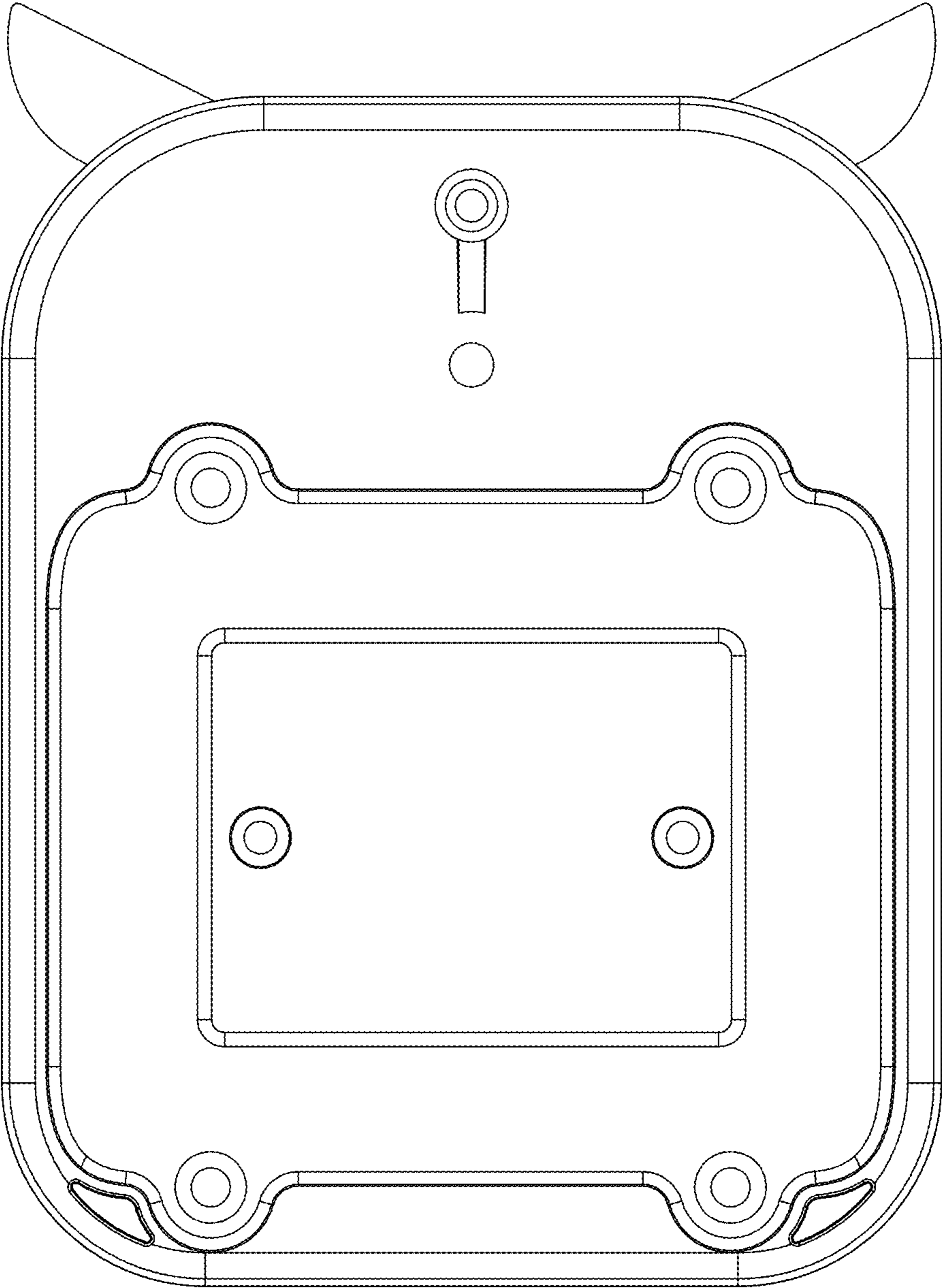


FIG. 2

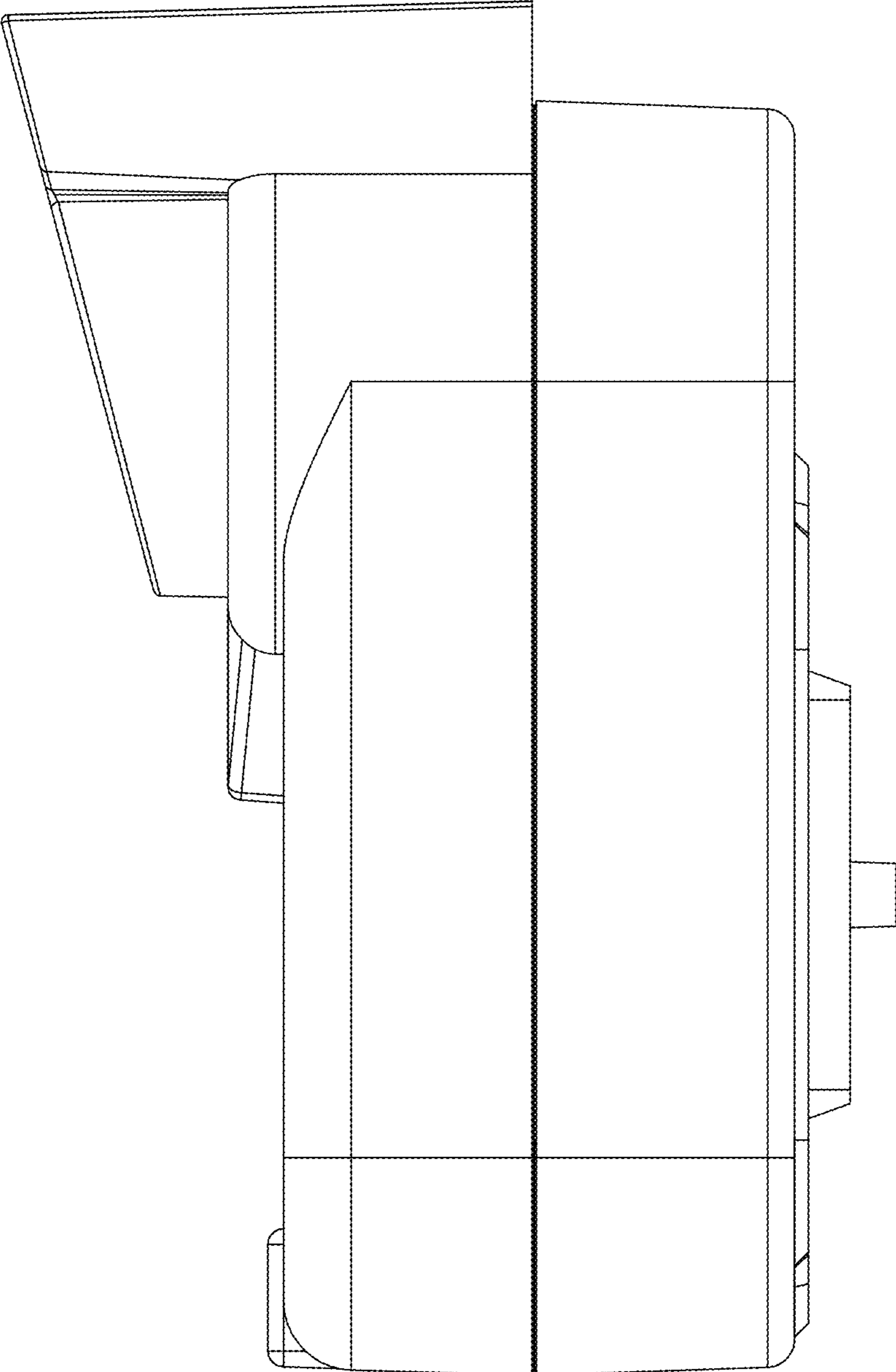


FIG. 3

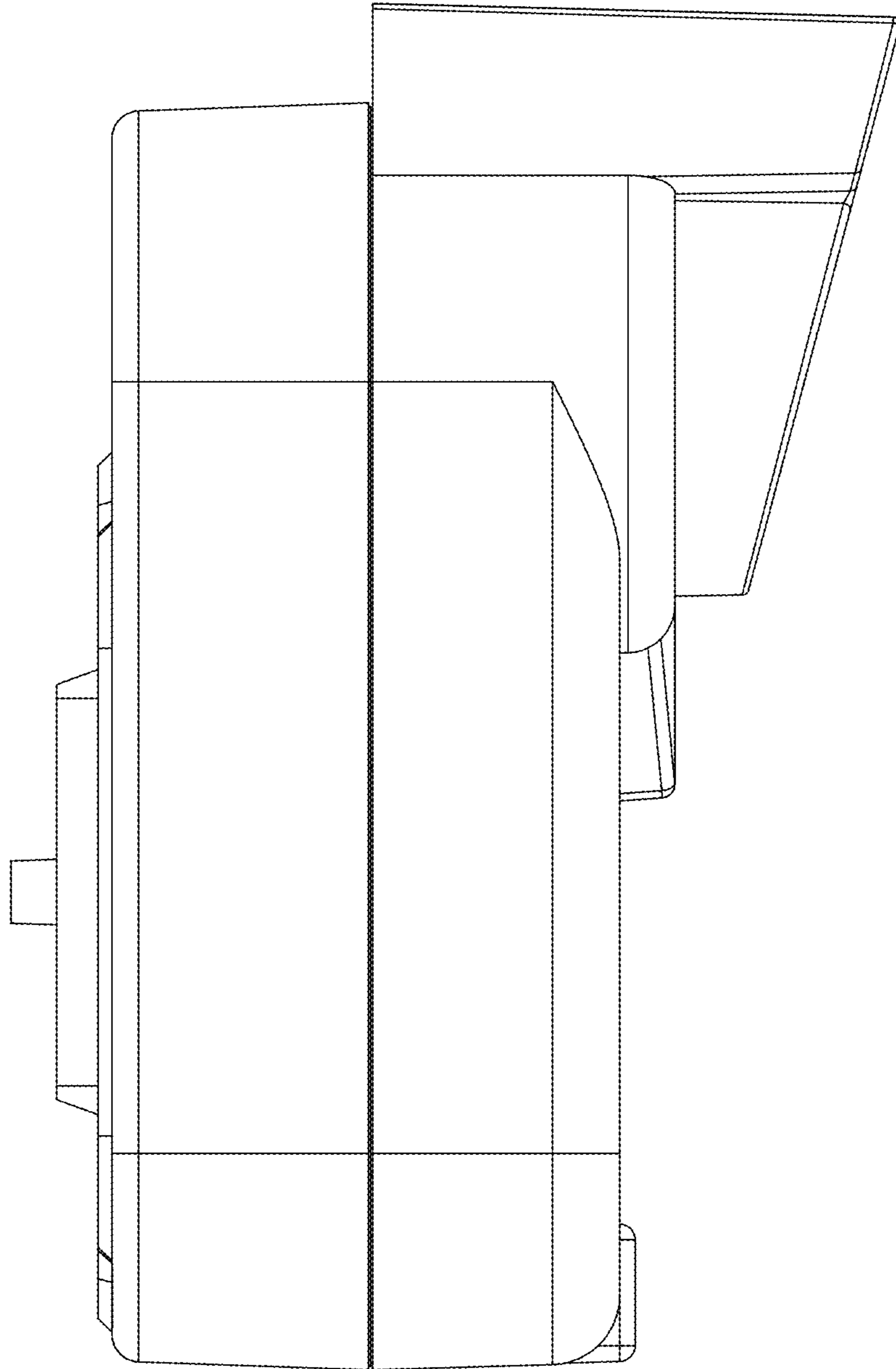


FIG. 4

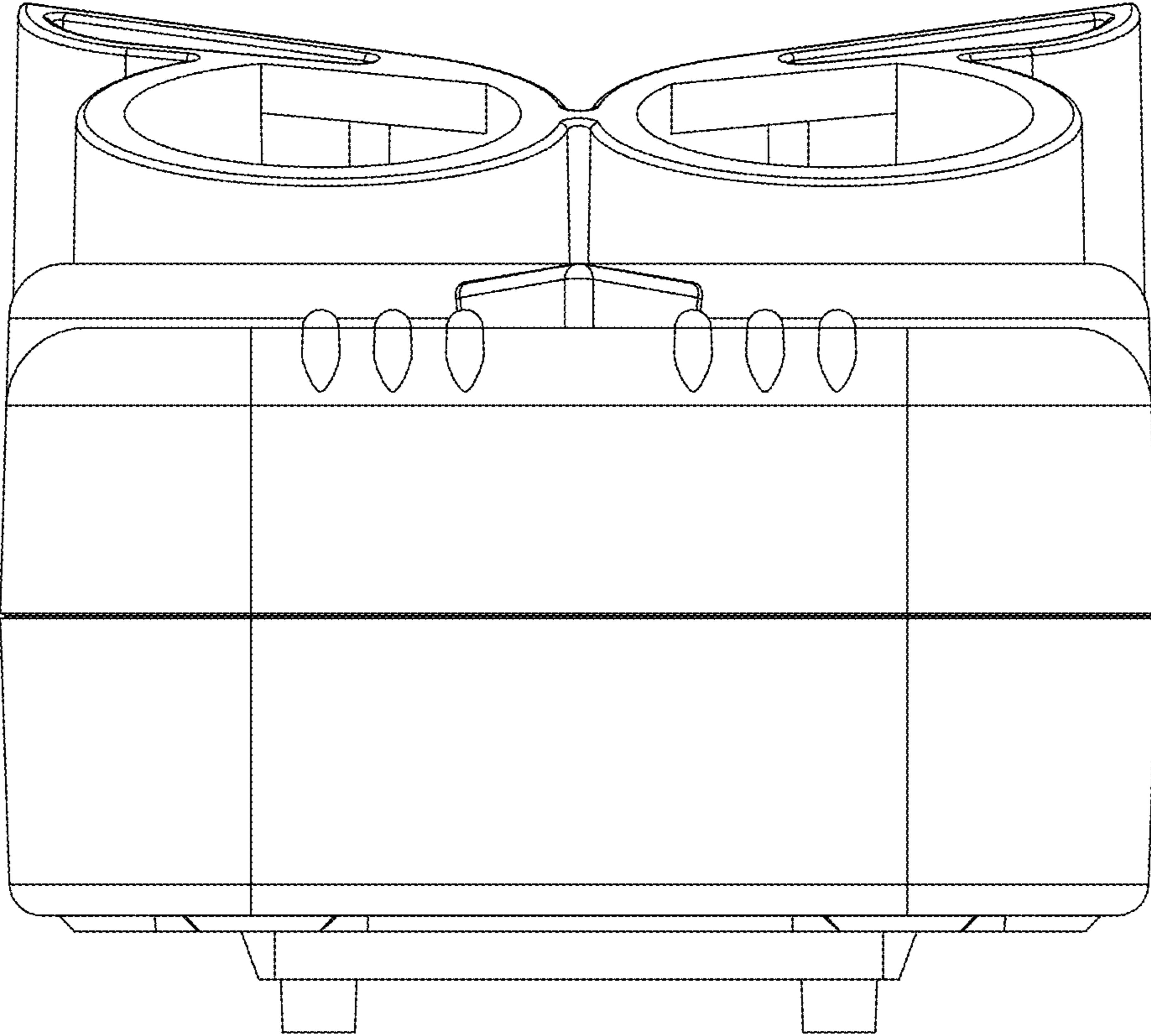


FIG. 5

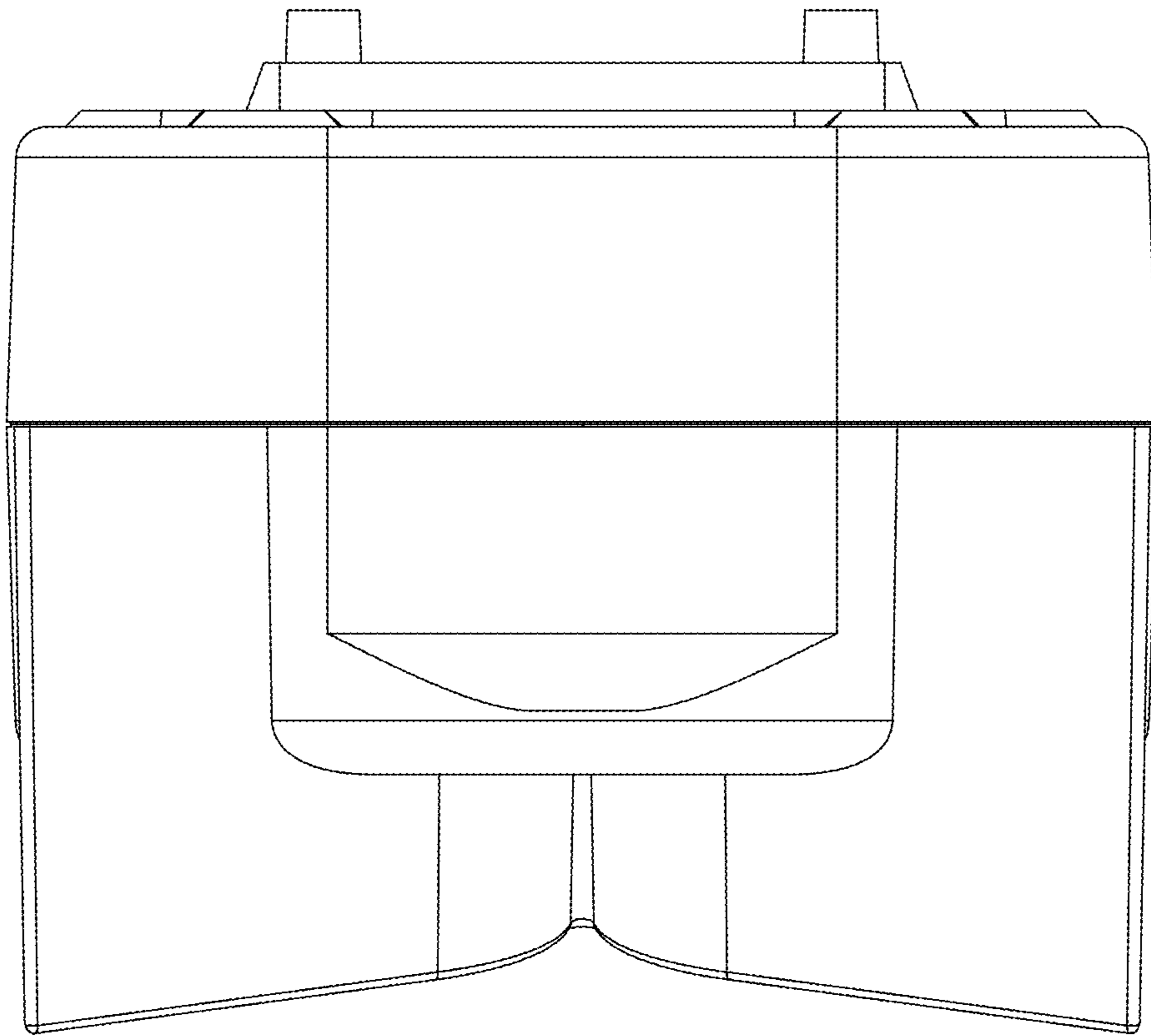


FIG. 6

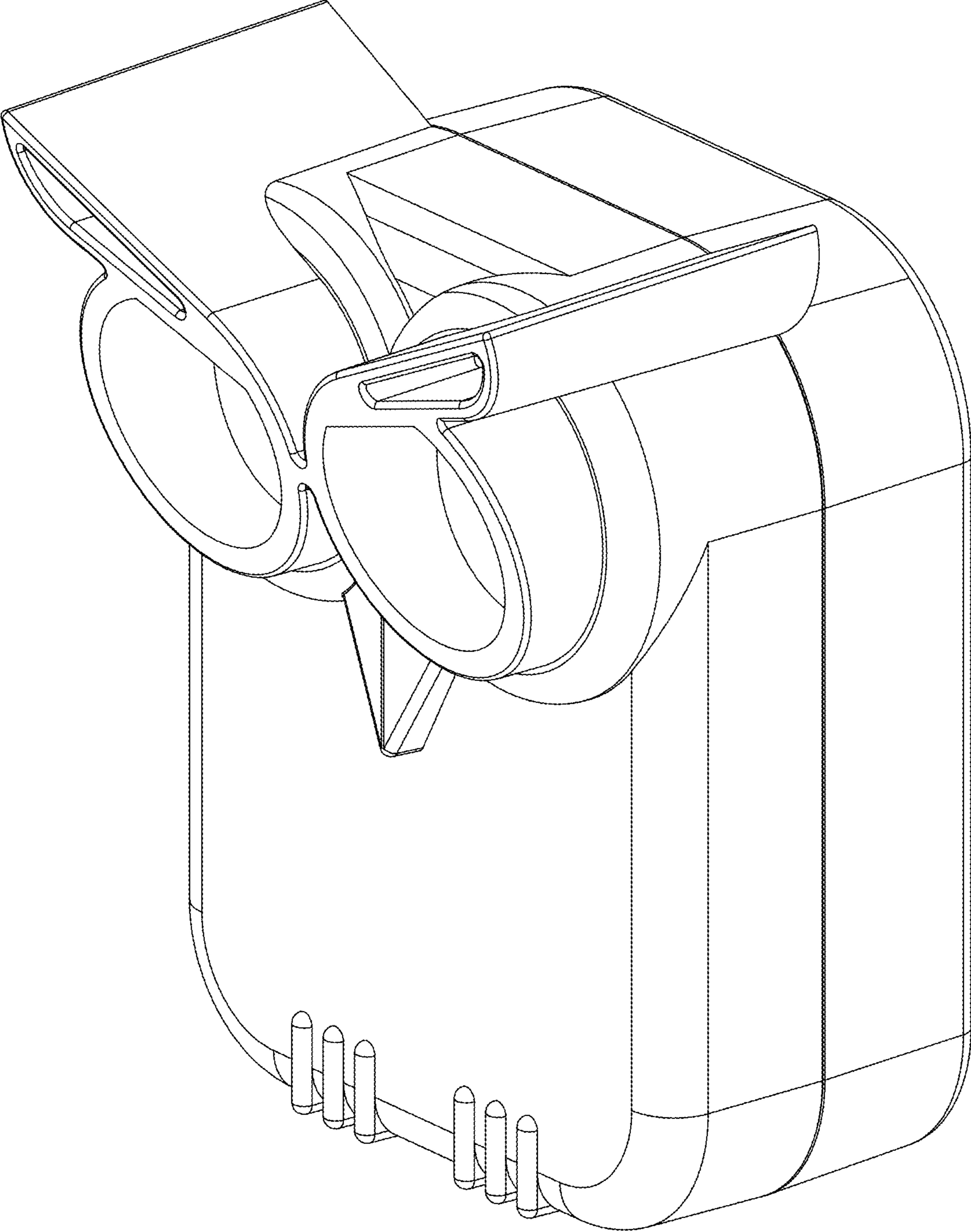


FIG. 7

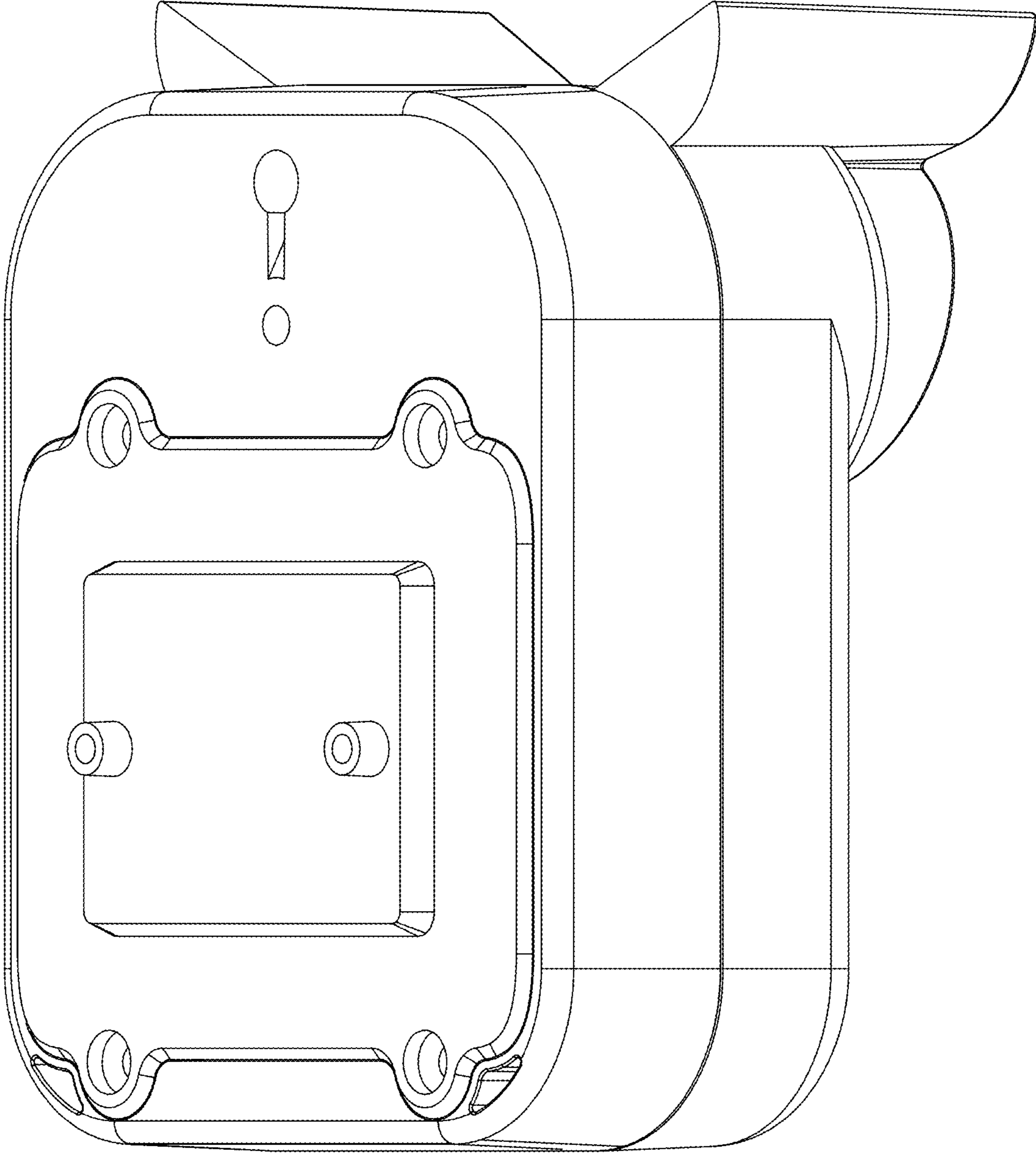


FIG. 8