



US00D930484S

(12) **United States Design Patent** (10) **Patent No.:** **US D930,484 S**
Zhang (45) **Date of Patent:** **** Sep. 14, 2021**

(54) **CONTAINER FOR LIQUID**
(71) Applicant: **THINK GREEN LIMITED**, Rosedale (NZ)
(72) Inventor: **Shu Ting Zhang**, Jingshan (CN)
(73) Assignee: **THINK GREEN LIMITED**, Auckland (NZ)

D583,255 S 12/2008 Castor
D645,762 S * 9/2011 Hong D9/710
D656,038 S * 3/2012 Molayem D9/708
D667,313 S 9/2012 Hensen
D687,318 S * 8/2013 Panetta D9/608
D700,067 S 2/2014 Murray
D732,974 S * 6/2015 Anastasiadis D9/709
D772,076 S * 11/2016 Waldis D9/710
D813,686 S 3/2018 Murray

(Continued)

(**) Term: **15 Years**

FOREIGN PATENT DOCUMENTS

(21) Appl. No.: **29/750,742**

CA 82904 1/1998
CA 89962 7/2000

(22) Filed: **Sep. 16, 2020**

(51) **LOC (13) Cl.** **09-05**

(52) **U.S. Cl.**
USPC **D9/705**

(58) **Field of Classification Search**
USPC D9/702-714, 720-722, 414, 434-435, D9/696, 716, 771, 447, 516-517, D9/738-747, 544, 520-521, 442, 444, D9/525; D24/118, 207, 108; 383/6, 9, 383/22, 96, 61.1, 80-81, 104, 901, 63, 383/203, 107, 119-120, 123, 61.2, 44; 220/675, 495.03; 215/381-385, 400, 328, 215/316; 206/484; D3/202; 428/34.3; 222/92, 215, 95, 107; 604/408, 403, 415
CPC ... B65D 1/00; B65D 1/02; B65D 1/09; B65D 1/10; B65D 1/32; B65D 1/0223; B65D 33/00; B65D 33/06; B65D 33/065; B65D 33/14; B65D 33/1683; B65D 33/12; B65D 31/10; B65D 47/00; B65D 47/06; B65D 35/00; B65D 35/38

See application file for complete search history.

(56) **References Cited**

U.S. PATENT DOCUMENTS

D260,607 S 9/1981 Stoy
D396,630 S * 8/1998 Lerner D9/709
D490,303 S * 5/2004 Berman D9/708
D560,122 S * 1/2008 Fuchs D9/708

OTHER PUBLICATIONS

Amrut Distilleries Ltd., WIPO Global Design Database, Pouch, Application No. 267252, Aug. 7, 2015.

Primary Examiner — Abraham Bahta
(74) *Attorney, Agent, or Firm* — Dragon Sun Law Firm, PC; Jinggao Li, Esq.

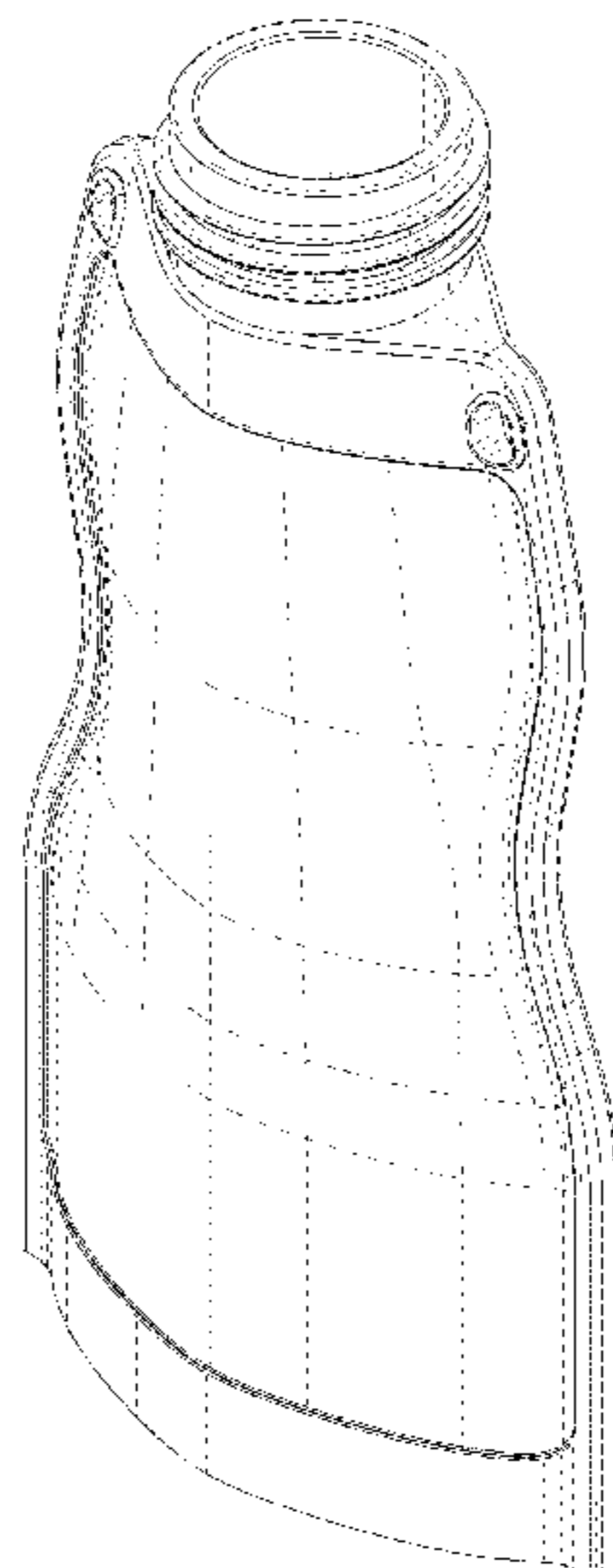
(57) **CLAIM**

The ornamental design for a container for liquid, as shown and described.

DESCRIPTION

FIG. 1 is a perspective view of a container for liquid showing my new design;
FIG. 2 is another perspective view thereof;
FIG. 3 is a front view thereof;
FIG. 4 is a rear view thereof;
FIG. 5 is a left view thereof;
FIG. 6 is a right view thereof;
FIG. 7 is an enlarged top view thereof; and,
FIG. 8 is an enlarged bottom view thereof.
The broken lines shown in the figures depict portions of the container for liquid that form no part of the claimed design.

1 Claim, 8 Drawing Sheets



(56)

References Cited

U.S. PATENT DOCUMENTS

D845,147 S 4/2019 Takano et al.
D922,881 S * 6/2021 Haskins D9/708

* cited by examiner

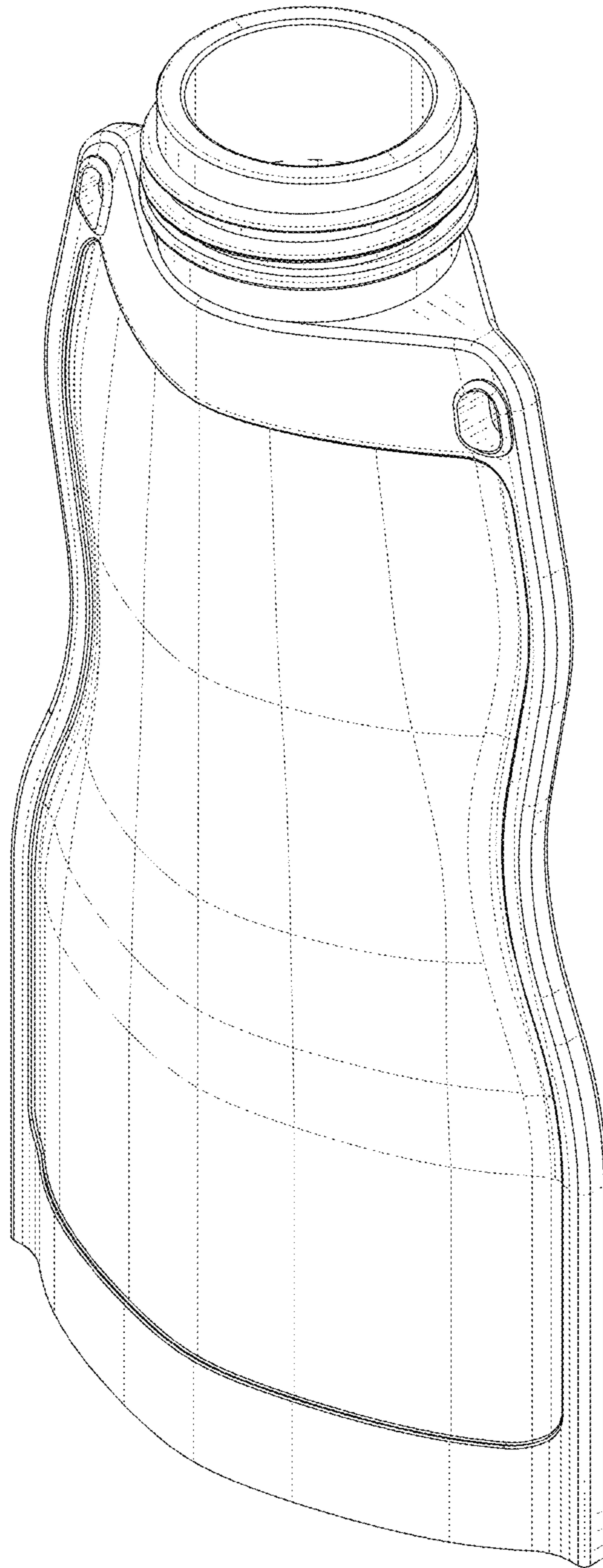


FIG. 1

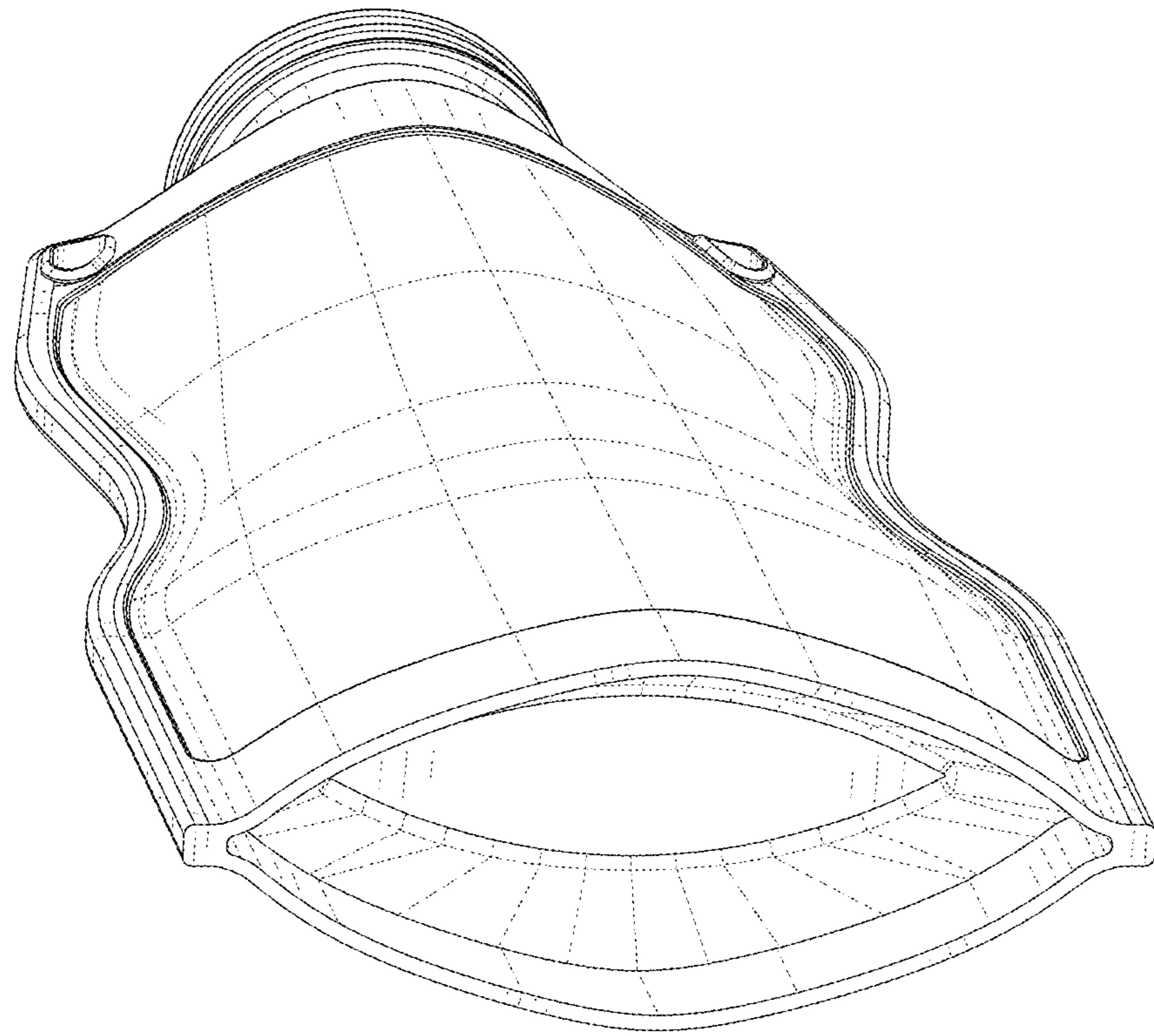


FIG. 2

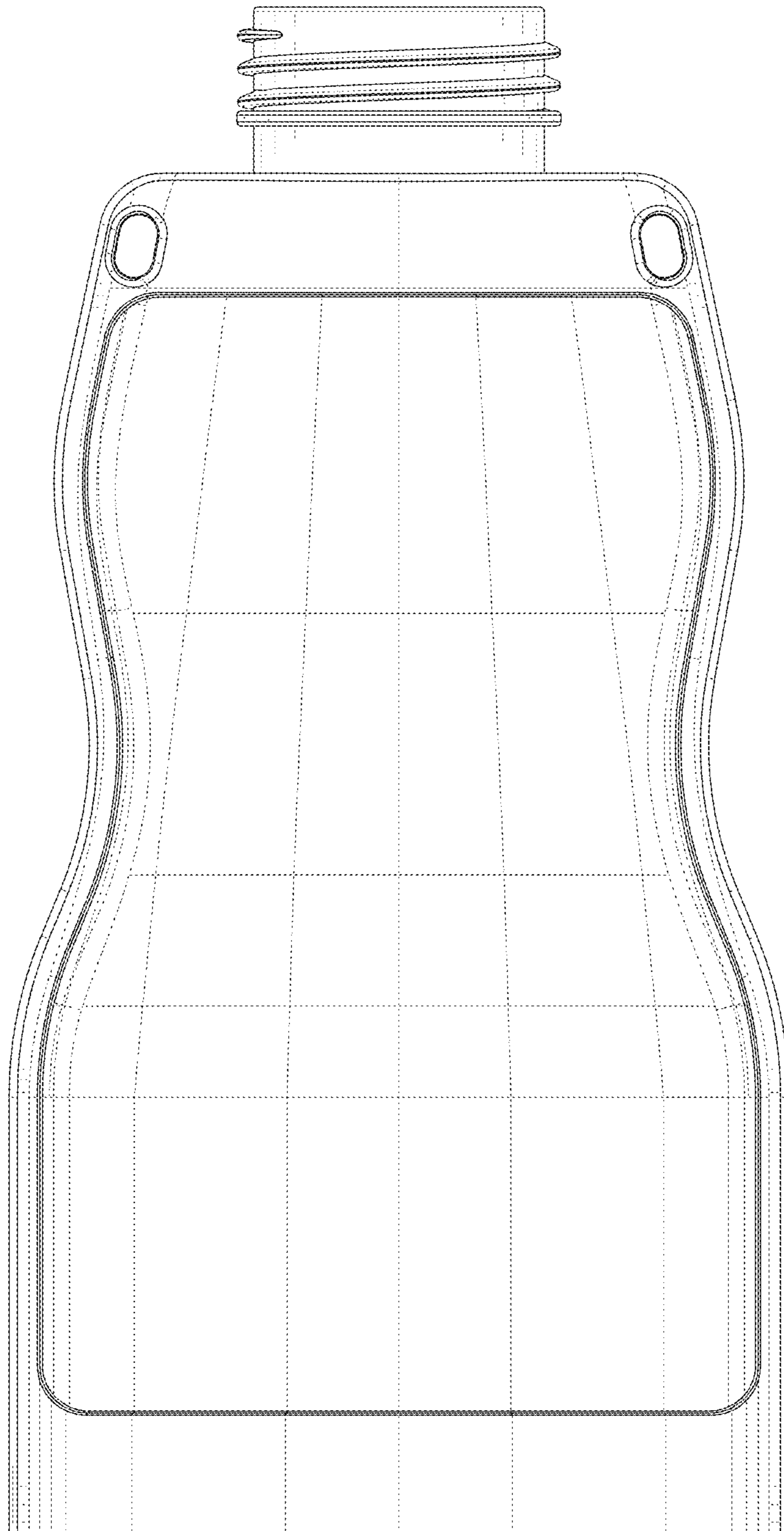


FIG. 3

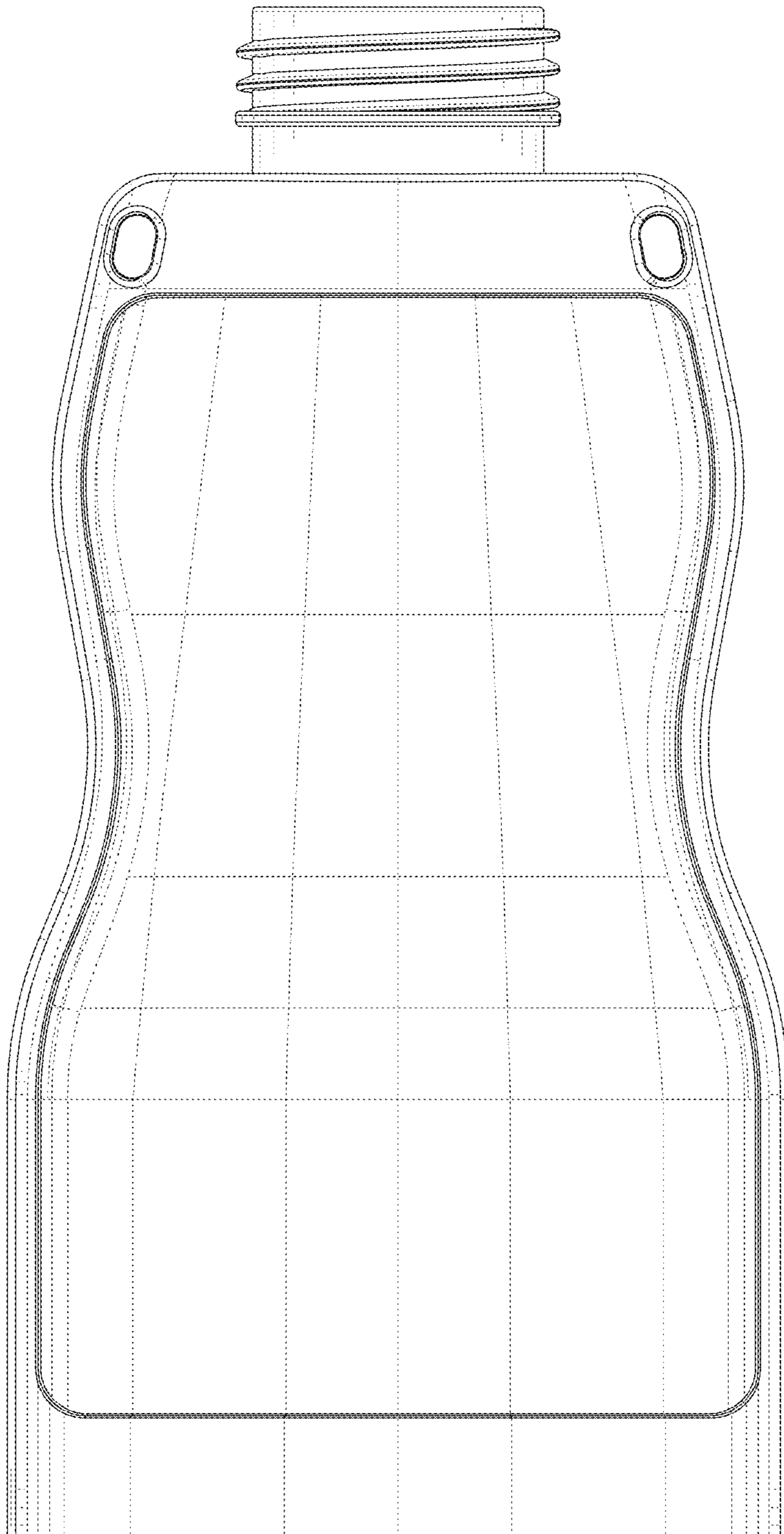


FIG. 4

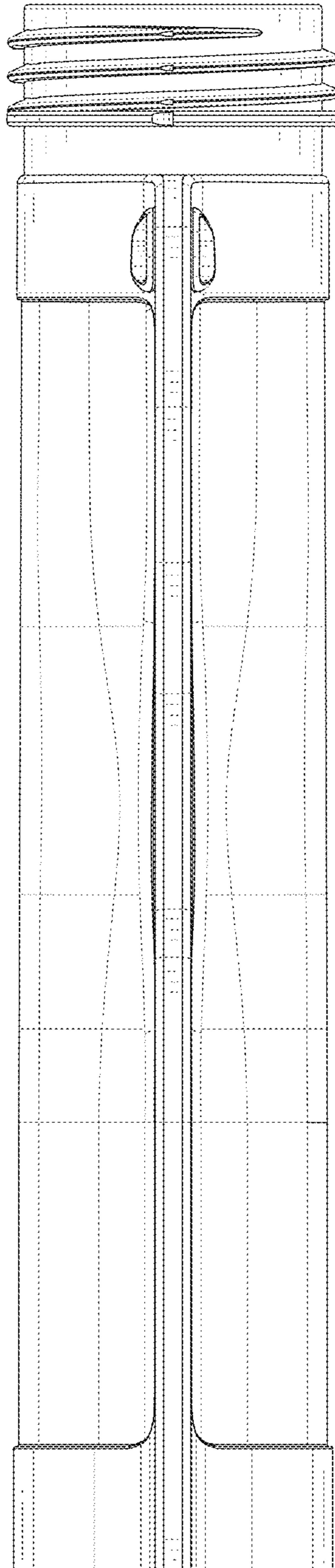


FIG. 5

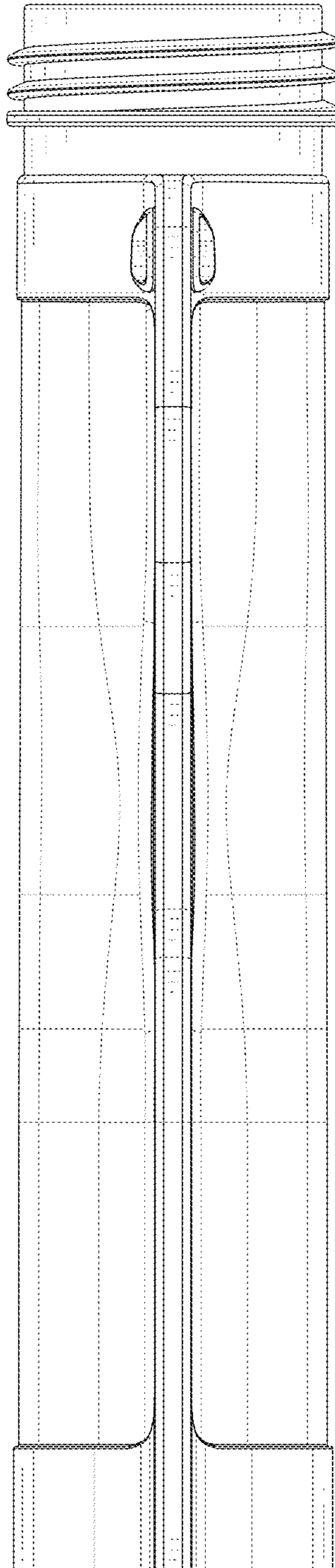


FIG. 6

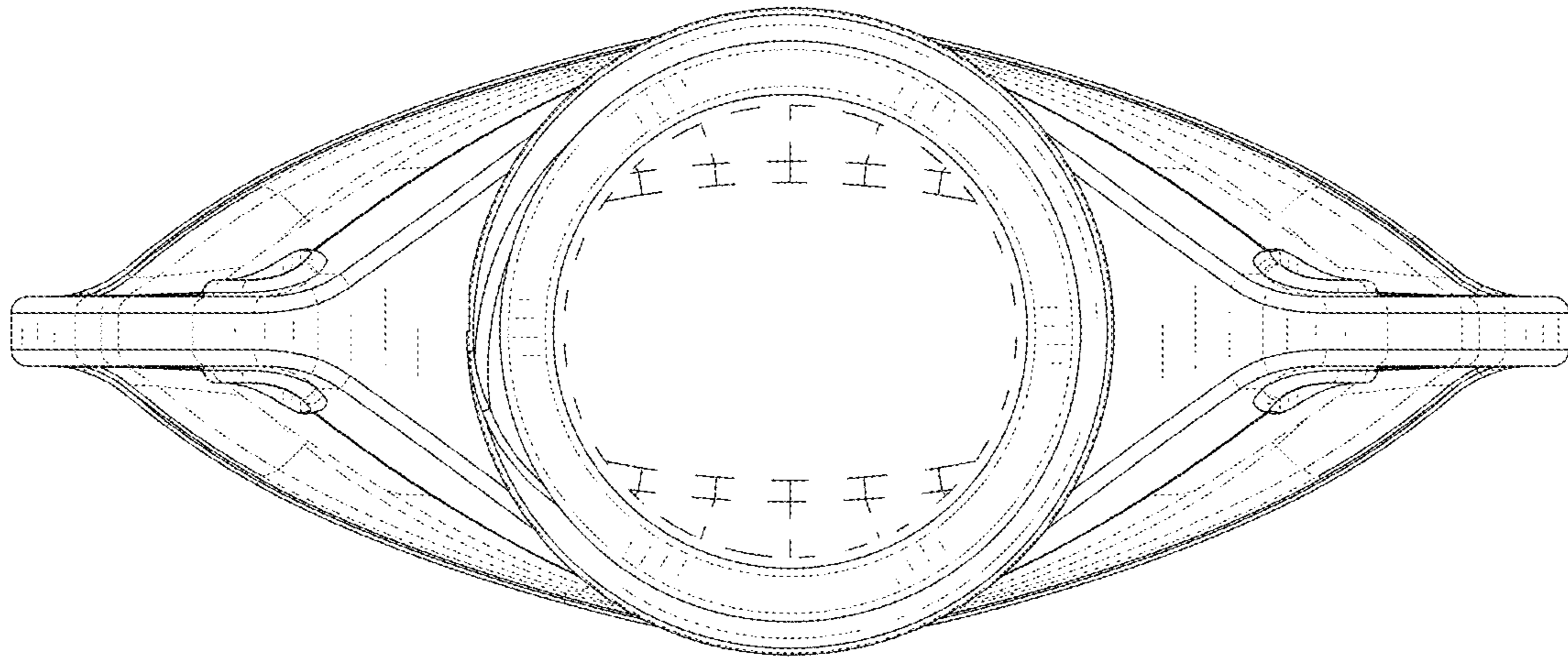


FIG. 7

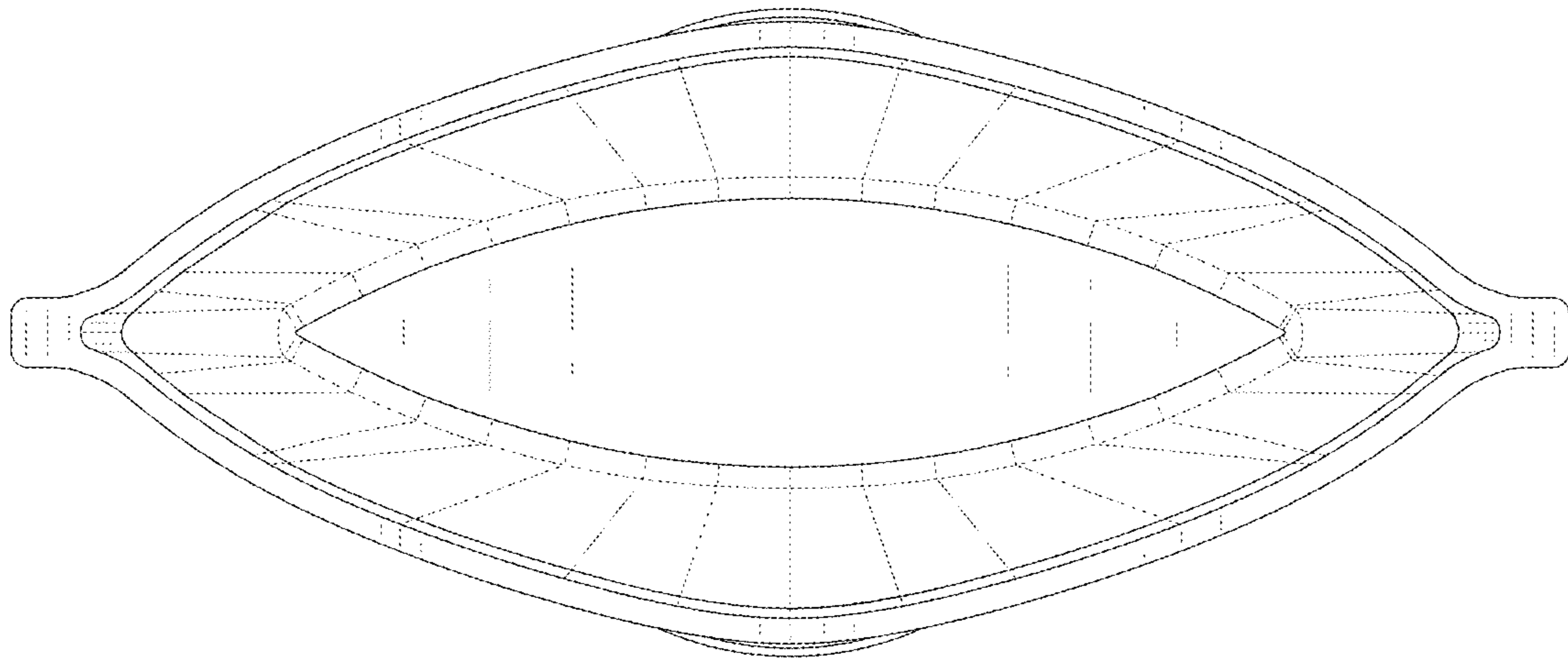


FIG. 8