



US00D930478S

(12) **United States Design Patent**
Delbon

(10) **Patent No.:** **US D930,478 S**

(45) **Date of Patent:** **** Sep. 14, 2021**

- (54) **BOTTLE**
- (71) Applicant: **Bruni Glass S.p.A.**, Trezzano sul Naviglio (IT)
- (72) Inventor: **Alessandra Delbon**, Lecco (IT)
- (73) Assignee: **BRUNI GLASS S.P.A.**, Trezzano sul Naviglio (IT)
- (**) Term: **15 Years**
- (21) Appl. No.: **29/580,430**
- (22) Filed: **Oct. 10, 2016**

- 4,863,049 A * 9/1989 Suzuki A61J 1/18
215/249
- D316,966 S * 5/1991 York D9/434
- D355,601 S * 2/1995 Buettner D9/503
- D407,971 S * 4/1999 Jackson D9/545
- D553,254 S * 10/2007 Colin D24/224

(Continued)

(30) **Foreign Application Priority Data**

Oct. 3, 2016 (EM) 003403419-0007

(51) **LOC (13) Cl.** **09-03**

(52) **U.S. Cl.**
USPC **D9/500; D9/545**

(58) **Field of Classification Search**
USPC D9/452, 500-505, 516, 520, 544-545,
D9/549, 558, 715, 719, 772; D7/300,
D7/300.1, 509, 598, 602, 619.1, 629;
D23/362, 366; D24/121, 197
CPC B65D 1/00; B65D 1/02; B65D 1/0223;
B65D 1/10; B65D 2501/00; B65D
2501/0009

See application file for complete search history.

(56) **References Cited**

U.S. PATENT DOCUMENTS

- 2,487,728 A * 11/1949 Quiring B65D 50/067
215/213
- 3,403,803 A * 10/1968 Markowitz B65D 50/04
215/218
- D241,012 S * 8/1976 de Abadal D9/500
- D272,508 S * 2/1984 Conti D7/615
- D272,888 S * 3/1984 Wells D9/504

OTHER PUBLICATIONS

Little Sumo, Bottles—Eco Design, SAVERGLASS Esprit Design Catalogue, Saverglass Inc., p. P29, digital document dated Oct. 2012, retrieved Sep. 2013, <<http://www.verrieresdebourgogne.fr/verrieres-de-bourgogne/bouteilles.html>>, accessed Dec. 19, 2017.*

(Continued)

Primary Examiner — Lilyana Bekic

Assistant Examiner — Sharon S Oum

(74) *Attorney, Agent, or Firm* — Kirschstein, Israel, Schiffmiller & Pieroni, P.C.

(57) **CLAIM**

The ornamental design for a bottle, as shown and described.

DESCRIPTION

FIG. 1 is a perspective view of a bottle according to my new design.

FIG. 2 is a top plan view thereof.

FIG. 3 is a side elevational view thereof, all side elevational views being identical.

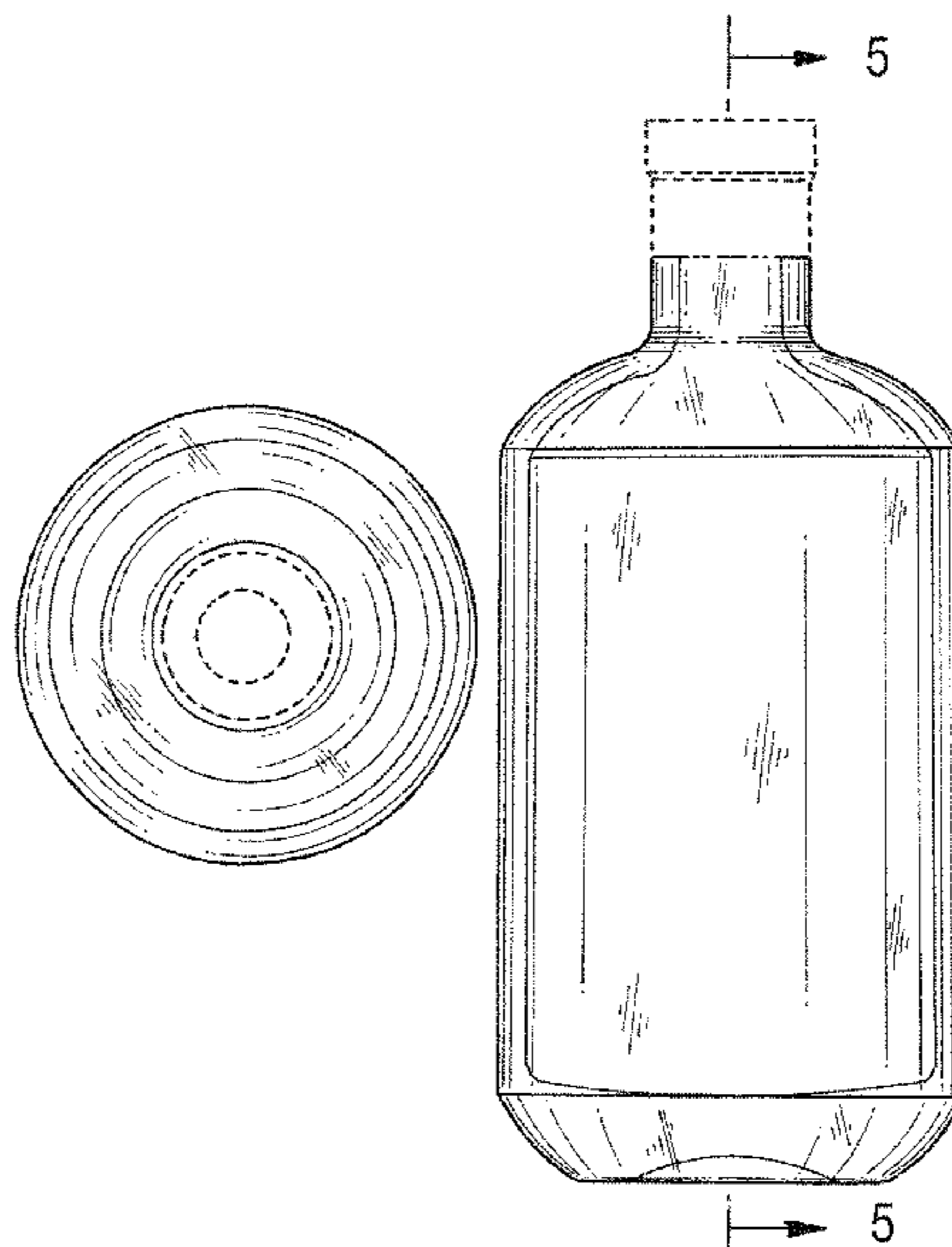
FIG. 4 is a bottom plan view thereof; and,

FIG. 5 is a sectional view thereof, as taken along the line 5-5 of FIG. 3.

The dash-dash broken lines shown in the drawings are included for the purpose of illustrating environmental structure and form no part of the claimed design.

The dot-dot-dash broken lines shown in the drawings define the boundary of the claimed design and form no part thereof.

1 Claim, 3 Drawing Sheets



(56)

References Cited

U.S. PATENT DOCUMENTS

D581,272 S * 11/2008 Yourist D9/502
 D590,718 S * 4/2009 Rica D9/544
 D592,519 S * 5/2009 Rica D9/544
 D595,134 S * 6/2009 Rica D9/500
 D596,491 S * 7/2009 Rica D9/544
 D626,424 S * 11/2010 Ross D9/500
 D628,079 S * 11/2010 Baran D9/545
 D635,856 S * 4/2011 Lauret D9/500
 D637,082 S * 5/2011 Delbon D9/500
 D652,301 S * 1/2012 Pelkey D9/500
 D652,720 S * 1/2012 Pelkey D9/500
 D657,245 S * 4/2012 Delbon D9/500
 D658,068 S * 4/2012 Nawrocki D9/546
 D659,538 S * 5/2012 Lecetre D9/500
 D677,569 S * 3/2013 Lemaitre D9/500
 D680,435 S * 4/2013 Wanet D9/500
 D682,697 S * 5/2013 Gonzalez Rodriguez D9/500

D687,302 S * 8/2013 Reynolds D9/500
 D698,256 S * 1/2014 Thompson D9/546
 D698,647 S * 2/2014 Maillet D9/500
 D716,659 S * 11/2014 Thompson D9/500
 D787,938 S * 5/2017 Feletto D9/500
 D799,968 S * 10/2017 Harris D9/500
 D799,969 S * 10/2017 Harris D9/500
 D811,225 S * 2/2018 Newson D9/505
 D828,162 S * 9/2018 Windelinckx D9/500
 D845,769 S * 4/2019 Delbon D9/500
 2017/0275044 A1 * 9/2017 Arregui Letamendi
 B65D 1/0276

OTHER PUBLICATIONS

English Essential Oils, Price List, Whitall, Tatum & Co. Glass Company, © 1907, p. 35, USPTO Design Library, D9 section, accessed Dec. 19, 2017.*

* cited by examiner

FIG. 1

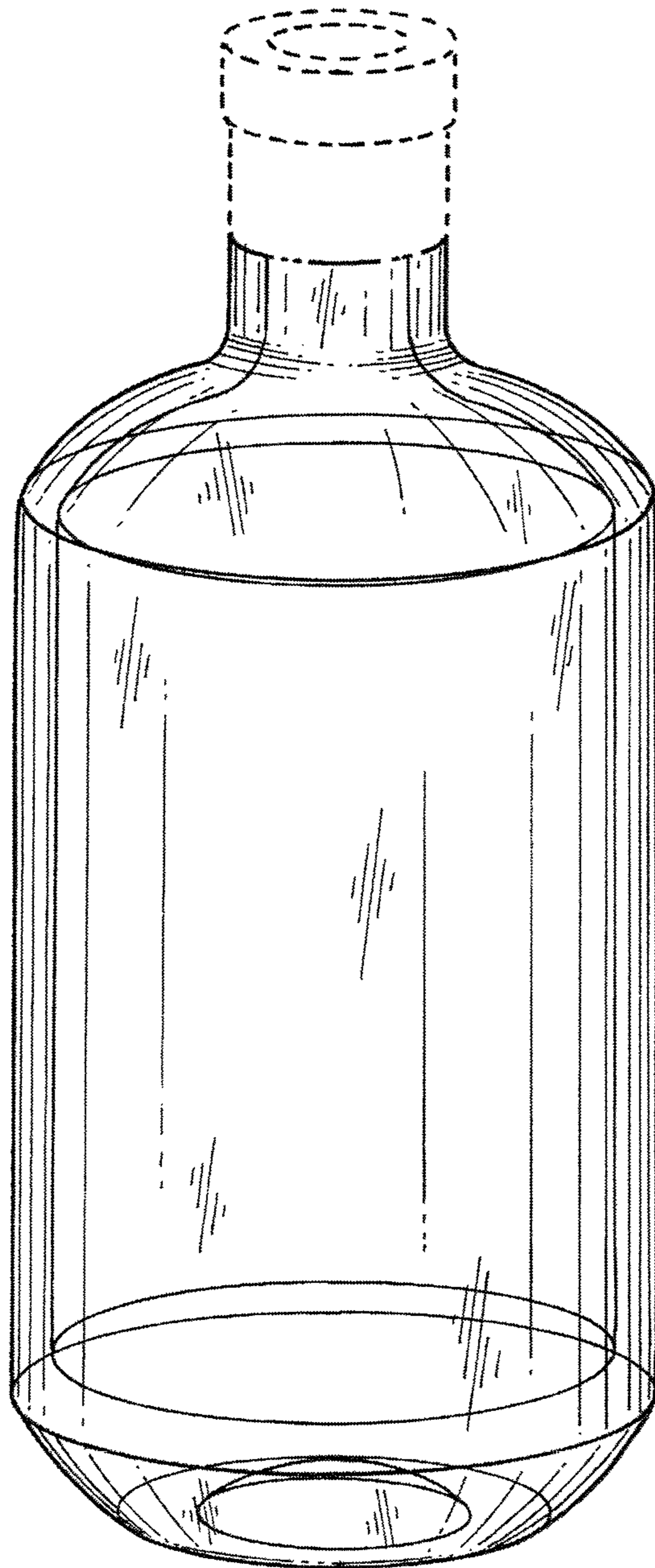


FIG. 2

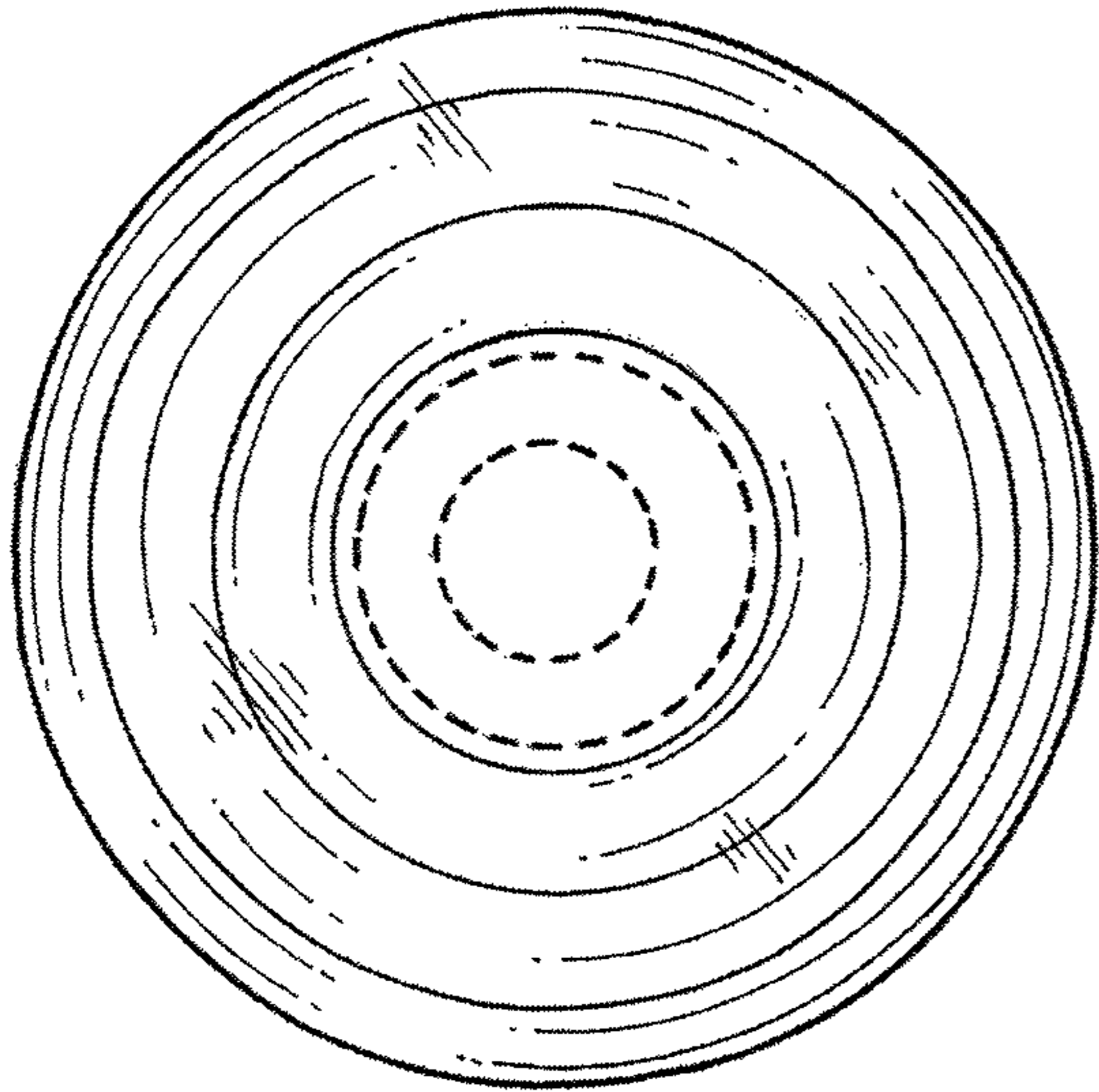


FIG. 3

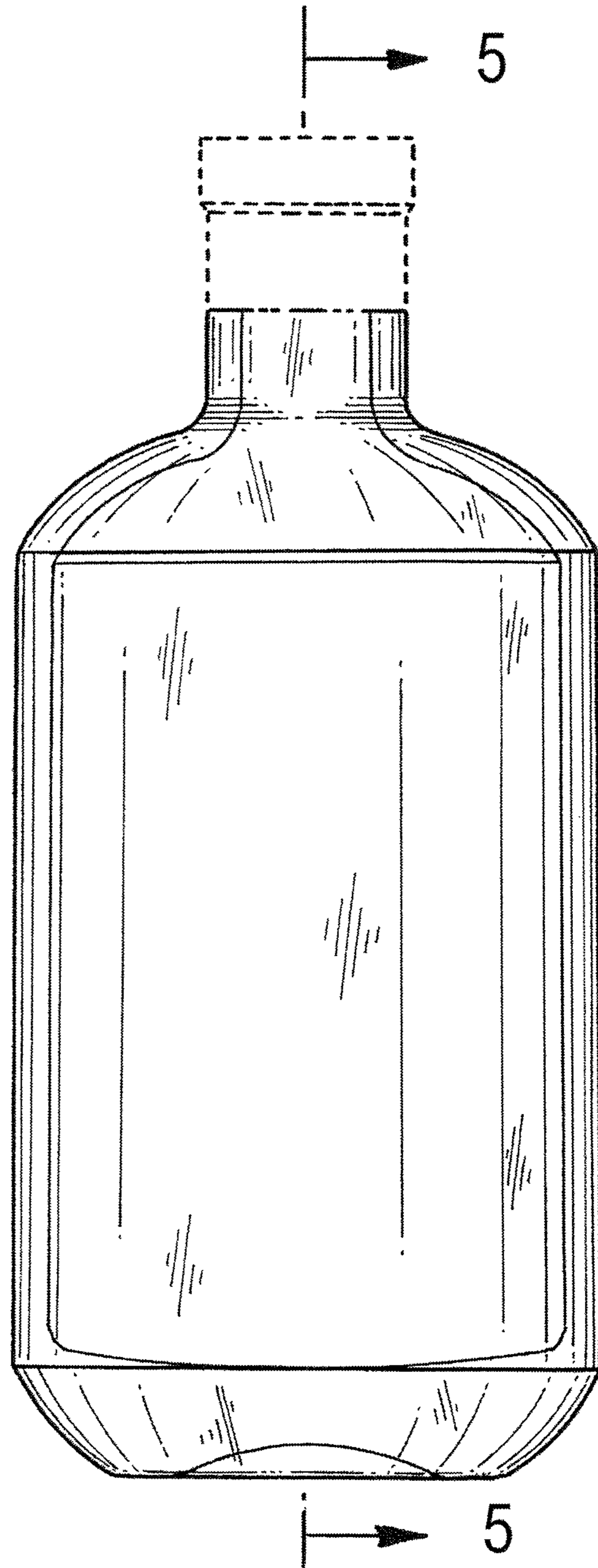


FIG. 4

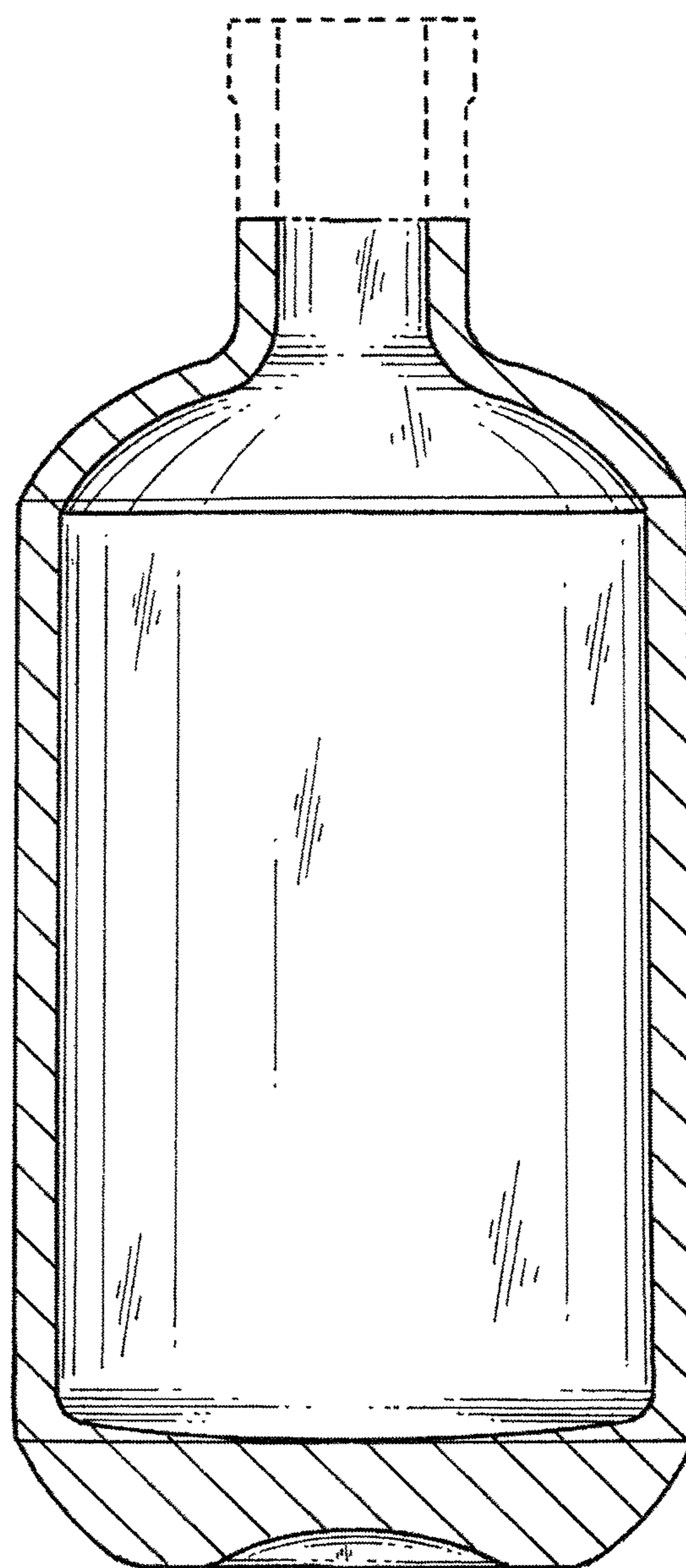
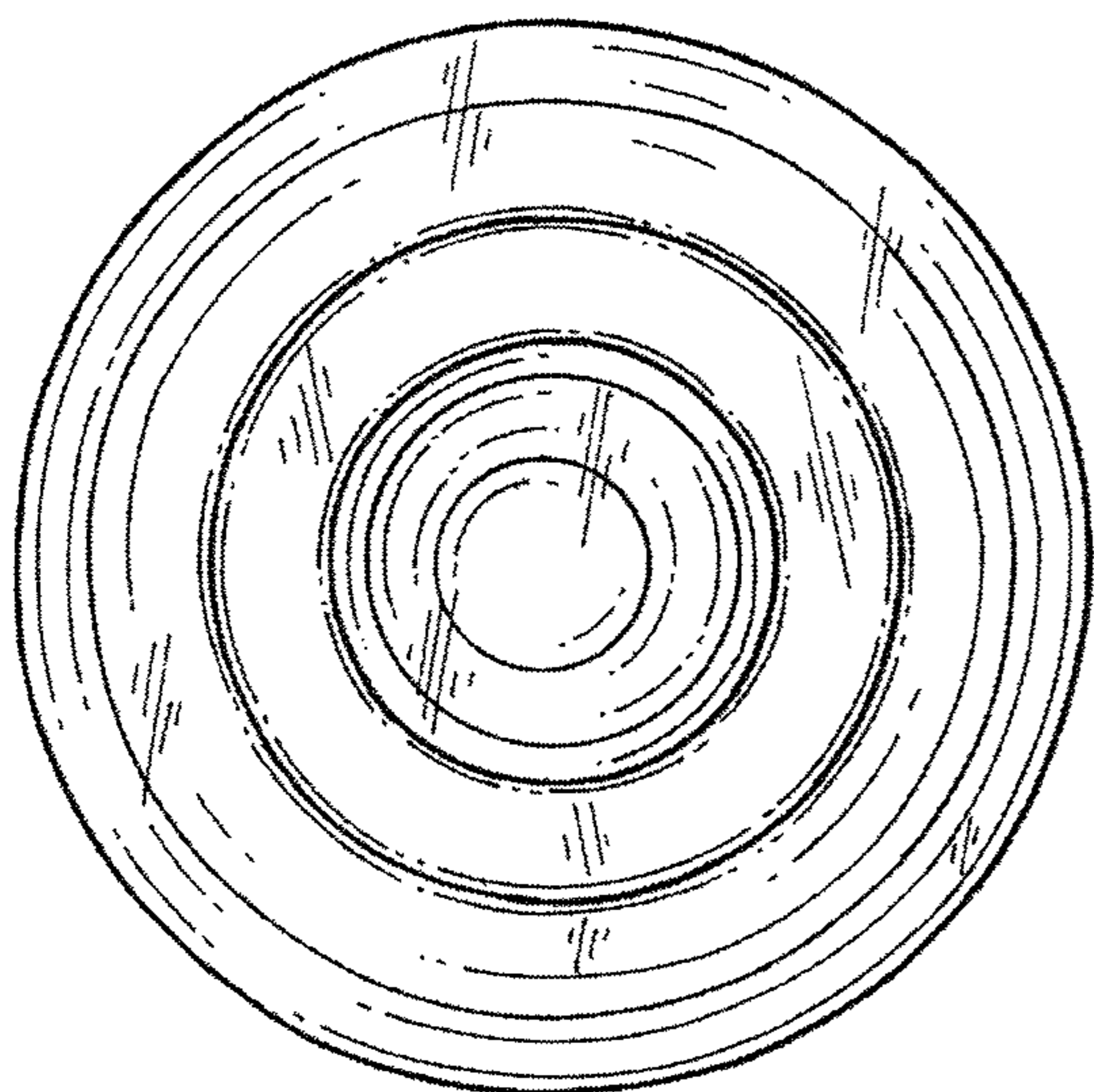


FIG. 5