



US00D930476S

(12) **United States Design Patent**
Bontrager et al.

(10) **Patent No.:** **US D930,476 S**
(45) **Date of Patent:** **** Sep. 14, 2021**

(54) **CAP FOR A BEVERAGE KEG**

(71) Applicant: **Zume, Inc.**, Camarillo, CA (US)

(72) Inventors: **Rick Bontrager**, Mountain View, CA (US); **Randall Strange**, Manteca, CA (US)

(73) Assignee: **Zume, Inc.**, Camarillo, CA (US)

(**) Term: **15 Years**

(21) Appl. No.: **29/711,040**

(22) Filed: **Oct. 28, 2019**

(51) **LOC (13) Cl.** **09-07**

(52) **U.S. Cl.**
USPC **D9/454**

(58) **Field of Classification Search**
USPC D7/509, 510, 511, 624.1, 387, 391, 392, D7/392.1, 393, 396.1, 396.2, 400; D9/434, 435, 439, 445, 447, 451, 454, D9/438, 440, 443, 452, 453; D23/259, D23/260, 261, 209, 210; D24/162, 127; D12/202, 604-607; D28/76, 85, 91.1
CPC B65D 43/09; B65D 43/16; B65D 25/04; B65D 1/24; B65D 2543/00046; B65D 2543/00092; B65D 43/0212; B65D 43/0208; B65D 51/1694; B65D 23/00; B65D 47/00; B65D 47/06; B65D 47/08; B65D 41/00; B65D 41/38; B65D 41/56; B65D 41/62; B65D 2585/56; B65D 2585/545; B65D 1/00; B65D 1/02; B65D 1/10; B65D 1/46; A61J 1/00; A61J 1/1412; A61J 1/02

See application file for complete search history.

(56) **References Cited**

U.S. PATENT DOCUMENTS

D30,094 S * 1/1899 Busch D9/434
D32,681 S * 5/1900 Morgenthaler D9/434
2,337,197 A 12/1943 Holy
2,404,625 A 7/1946 Druhot

(Continued)

FOREIGN PATENT DOCUMENTS

CA 183476 * 9/2019
EM 007737697-0002 3/2020

(Continued)

OTHER PUBLICATIONS

Lid for Pail: Site Visited [Jan. 1, 2021]. Available: https://www.uline.com/Product/Detail/S-19315NAT/Pails/Standard-Lid-for-1-Quart-Plastic-Pail-Natural?pricode=WB0549&gadtype=pla&id=S-19315NAT&gclid=CjwKCAiArbv_BRA8EiwAYGs23M_hLziGhv123855Xk9OC8MWtbDoYCxq5LzlkVrdVMk2yXyHe8W4vhoCKTQQA_vD_BwE&gclsrc=aw.ds.*

(Continued)

Primary Examiner — Catherine S Posthauer

(74) *Attorney, Agent, or Firm* — Merchant & Gould PC

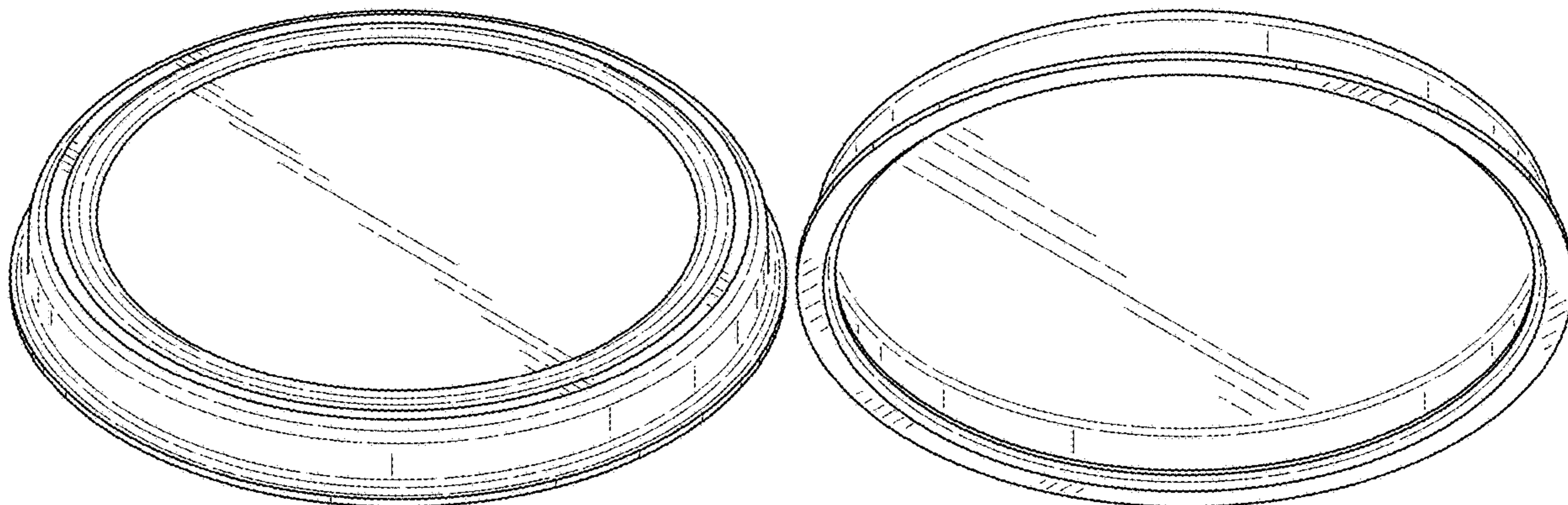
(57) **CLAIM**

The ornamental design for a cap for a beverage keg, as shown and described.

DESCRIPTION

FIG. 1 is a top perspective view of a cap for a beverage keg showing my new design;
FIG. 2 is a bottom perspective view of the cap for a beverage keg of FIG. 1.
FIG. 3 is a front view of the cap for a beverage keg of FIG. 1.
FIG. 4 is a back view of the cap for a beverage keg of FIG. 1.
FIG. 5 is a right side view of the cap for a beverage keg of FIG. 1.
FIG. 6 is a left side view of the cap for a beverage keg of FIG. 1.
FIG. 7 is a top view of the cap for a beverage keg of FIG. 1; and,
FIG. 8 is a bottom view of the cap for a beverage keg of FIG. 1.

1 Claim, 6 Drawing Sheets



(56)

References Cited

U.S. PATENT DOCUMENTS

2,740,444	A *	4/1956	Martinelli	B65D 43/0212 220/792
2,740,657	A	4/1956	Poupitch		
2,893,163	A *	7/1959	Hazel, Jr.	A47G 23/03 248/346.11
2,998,158	A *	8/1961	Tupper	B65D 43/0274 220/276
2,998,899	A	9/1961	Donafo		
3,055,542	A	9/1962	Russo		
3,086,651	A	4/1963	Poupitch		
3,103,303	A	9/1963	Lynchey		
3,199,908	A	8/1965	Poupitch		
3,202,448	A	8/1965	Stern		
3,283,939	A *	11/1966	Miller	B65D 51/1644 220/203.16
D207,356	S *	4/1967	McCormick	D9/439
3,321,104	A *	5/1967	Edwards	B65D 43/0212 206/503
3,346,106	A	10/1967	Gooding		
D210,930	S	5/1968	Box		
3,401,825	A *	9/1968	Weiss	B65D 43/021 220/787
D212,843	S *	12/1968	Hart	D9/452
D213,390	S *	2/1969	Bruce	D7/392.1
3,432,202	A	3/1969	Ebelhardt		
3,498,523	A	3/1970	Stembridge		
3,552,612	A	1/1971	Greis		
3,596,796	A	8/1971	Stembridge		
D222,905	S *	2/1972	Kinney	D9/439
3,661,417	A	5/1972	Inman		
3,664,497	A	5/1972	Mascia		
3,711,145	A	1/1973	Rapata		
D233,599	S *	11/1974	Davis	D9/453
D237,686	S	11/1975	Torokvei		
3,946,897	A *	3/1976	Wolff	B65D 43/0212 220/782
D239,437	S *	4/1976	Boduch	D9/445
3,951,259	A	4/1976	Oglesbee		
3,964,635	A *	6/1976	Ludder	B65D 43/0212 220/784
D241,917	S *	10/1976	Borum	D9/452
3,991,879	A	11/1976	Hirota		
D243,231	S *	2/1977	Smith	D9/439
4,076,123	A *	2/1978	Davis	B65D 43/0212 206/503
D249,935	S *	10/1978	Williams	D9/454
4,120,396	A	10/1978	Mascia		
4,136,772	A	1/1979	Mascia		
D258,576	S *	3/1981	Smith	D9/452
4,305,524	A *	12/1981	McLaren	B65D 43/0212 220/780
4,407,426	A *	10/1983	McLaren	A23G 9/503 206/508
D275,636	S *	9/1984	Picozza	D7/392.1
4,518,081	A	5/1985	de Larosiere		
D280,773	S	9/1985	Addy, Jr.		
D281,758	S *	12/1985	Trombly	D7/391
4,562,937	A *	1/1986	Iyengar	B65D 43/021 220/791
D286,026	S *	10/1986	Rayner	D9/435
D290,575	S *	6/1987	Ryser	D7/391
D292,380	S *	10/1987	Smith	D9/435
D297,297	S *	8/1988	Lacey	D7/354
4,795,052	A *	1/1989	Hayes, Jr.	B65D 47/06 220/369
4,886,184	A *	12/1989	Chamourian	B65D 43/0212 220/781
D309,564	S *	7/1990	Rayner	D9/435
D311,140	S *	10/1990	Nelson	D9/454
D323,383	S *	1/1992	Keays	D23/366
D327,808	S *	7/1992	Kline	D7/391
D332,897	S *	2/1993	Bucher	D7/629
5,249,704	A *	10/1993	Boetzkes	B65D 41/32 220/724
D342,023	S	12/1993	Bonkowski		
D344,209	S *	2/1994	Cousins	D7/391
D351,220	S *	10/1994	Barnes	D23/260
D352,239	S	11/1994	Adami		
D354,227	S	1/1995	Adami		
D356,733	S	3/1995	Adami		
5,415,277	A	5/1995	Bersten		
D361,513	S	8/1995	Adami		
D362,389	S *	9/1995	Frye	D9/452
D367,818	S *	3/1996	Zana	D9/454
D371,510	S	7/1996	Marsh		
5,540,349	A *	7/1996	Philips	B65D 43/0256 220/780
D373,704	S *	9/1996	Doxey	D7/391
5,553,704	A	9/1996	Gordon		
D374,822	S *	10/1996	Philips	D7/392.1
5,609,379	A	3/1997	Harrelson		
D381,267	S *	7/1997	Rush	D9/452
5,657,865	A	8/1997	Harrelson		
D388,702	S	1/1998	Mindel		
5,791,509	A *	8/1998	Rush	B65D 43/0212 206/508
D405,006	S	2/1999	Spencer		
D417,584	S *	12/1999	Lillelund	D7/392.1
D428,776	S *	8/2000	Shuman	D7/624.1
D452,155	S *	12/2001	Stodd	D9/434
6,478,183	B1 *	11/2002	Bacon	B65D 21/0219 206/508
6,561,375	B1 *	5/2003	Nagy	A47G 19/02 206/460
6,645,537	B2 *	11/2003	Sweeney	B65D 85/8043 206/222
6,739,500	B1 *	5/2004	Gentile	B65D 15/06 206/524.8
D499,025	S *	11/2004	Houk	D9/520
D502,050	S *	2/2005	Munson	D7/392.1
D502,406	S	3/2005	Eddings		
D510,524	S *	10/2005	Houk	D9/503
D515,941	S	2/2006	Hamblin		
D560,120	S *	1/2008	Maravich	D9/453
D562,684	S *	2/2008	Brashear	D9/454
D563,785	S *	3/2008	Maki	D9/454
D564,877	S *	3/2008	Hood	D9/454
D574,238	S *	8/2008	Walker	D9/435
D583,238	S *	12/2008	Chen	D9/453
7,562,787	B2	7/2009	Serrano		
D628,894	S *	12/2010	Pontes	D9/454
D632,959	S *	2/2011	Peters	D9/454
D643,720	S *	8/2011	Maeda	D9/439
D653,560	S	2/2012	Smithers		
D655,207	S	3/2012	D'Agostino		
D660,148	S *	5/2012	Killandi	D9/438
D666,306	S *	8/2012	Belue	D25/36
D689,701	S *	9/2013	Mischel, Jr.	D6/309
D689,735	S *	9/2013	Redfern	D7/392.1
D689,779	S	9/2013	Ralph		
D692,758	S *	11/2013	Concin	D9/454
D697,366	S *	1/2014	Kristinik	D7/392.1
D705,666	S	5/2014	Borg		
8,863,982	B2 *	10/2014	Baltz	B65D 51/00 220/780
D717,104	S *	11/2014	Redfern	D7/392.1
D722,891	S	2/2015	Borg		
D730,731	S *	6/2015	Bewley, Jr.	D9/447
D731,239	S *	6/2015	Rothfield	D7/392.1
D732,977	S	6/2015	Booth		
D746,626	S *	1/2016	Lagsdin	D7/354
D748,479	S	2/2016	Barkerding		
D751,902	S *	3/2016	Sturk	D9/447
D753,950	S *	4/2016	Feeley	D7/392.1
9,327,889	B2	5/2016	Barkerding		
D762,475	S *	8/2016	Turner	D9/454
D764,592	S *	8/2016	Zenoff	D20/42
D775,343	S *	12/2016	Boccabella	D24/162
D776,296	S *	1/2017	Wainwright	D24/224
D781,158	S	3/2017	Bosworth		
9,630,743	B2	4/2017	Lee		
D788,549	S	6/2017	Karussi		
D795,069	S *	8/2017	Haddad	D9/454

(56)

References Cited

U.S. PATENT DOCUMENTS

D795,070 S * 8/2017 Haddad D9/454
 D816,500 S * 5/2018 Torrison D9/454
 D838,585 S * 1/2019 Kui D9/428
 D840,760 S * 2/2019 Carrette D7/602
 D854,424 S 7/2019 Lauria
 D861,486 S * 10/2019 Stammen D9/454
 D867,831 S 11/2019 Bauer
 D871,834 S * 1/2020 Sarnoff D7/392.1
 D871,906 S * 1/2020 Ramsey D9/454
 D880,224 S * 4/2020 Wiggins D7/392
 D881,718 S 4/2020 Bandinu
 D899,252 S * 10/2020 Wang D9/454
 D905,555 S * 12/2020 Ozturk D9/454
 D915,200 S * 4/2021 Ozturk D9/454
 2004/0222226 A1 * 11/2004 Gottainer B65D 43/0212
 220/284
 2004/0245261 A1 * 12/2004 Stanos B65D 43/021
 220/793
 2005/0133508 A1 * 6/2005 Landis B65D 43/027
 220/276
 2008/0308555 A1 * 12/2008 Stolzman B65D 43/0231
 220/288
 2008/0314916 A1 * 12/2008 Dimartino B65D 51/20
 220/783
 2012/0138608 A1 * 6/2012 Rusnak B65D 43/0208
 220/23.87
 2012/0285965 A1 * 11/2012 Ekkert B65D 43/0231
 220/304
 2013/0068780 A1 * 3/2013 Meers 220/790
 2013/0233873 A1 * 9/2013 Baltz B65D 43/0262
 220/780
 2015/0183562 A1 7/2015 Barkerding
 2017/0369202 A1 12/2017 Smith
 2019/0071223 A1 * 3/2019 Luburic B65D 21/0219
 2019/0256252 A1 * 8/2019 Mundy B65D 21/0228
 2019/0300263 A1 * 10/2019 Chiang B65D 65/466
 2020/0056335 A1 2/2020 Chung
 2020/0361667 A1 * 11/2020 Broder C12M 23/22

FOREIGN PATENT DOCUMENTS

EM 007737697-0003 3/2020
 EM 007737697-0004 3/2020
 EM 007737697-0005 3/2020
 EM 007737697-0006 3/2020
 EP 007737697-0001 3/2020
 EP 007827852-0001 4/2020
 EP 007827852-0002 4/2020

GB 6087961 4/2020
 GB 6087962 4/2020
 GB 6087963 4/2020
 GB 6089988 5/2020
 GB 6089989 5/2020
 JP D1657805 * 4/2020
 KR 300964777.0000 * 7/2018

OTHER PUBLICATIONS

Ramekin: Site Visited [Jan. 1, 2021]. Available from URL: https://www.webstaurantstore.com/plastic-lid-for-4-oz-ramekin-pack/999FP4OZ.html?utm_source=google&utm_medium=cpc&utm_campaign=GoogleShopping&gclid=CjwKCAiArbv_BRA8EiwAYGs23AOXMakk4eMXLczkvwbS1HmsS1DSGBqepHEb-kg3gY0Xgb3Y_X-ZahoCS3sQAvD_BwE.*
 Dust KEg Cap: Site Visited Nov. 17, 2020. Available from Internet URL: <https://beer-co.ca/dust-keg-cap-no-logo-blue/>.
 Draft Beer Tower Cap: Announced Aug. 5, 2016 [online]. Site Visited [Nov. 17, 2020]. Available from Internet URL: https://www.kegworks.com/2-1-2-chrome-replacement-draft-beer-tower-cap/?utm_term=&utm_campaign=.*
 Paint Can: Announced Jul. 14, 2020 [online]. Site Visited [Apr. 30, 2021]. Available from Internet URL: https://www.turbosquid.com/3d-models/3d-paint-industrial-tool-1591296.*
 PR Newswire Press Release, "Footprint Introduces Compostable Six-Pack Can Ring With Colorado Native Craft Beer", Jun. 17, 2019, located online at: <https://www.prnewswire.com/news-releases/footprint-introduces-compostable-six-pack-can-ring-with-colorado-native-craft-beer-300869576.html>, 6 pages.
 Pomranz, Mike, Food & Wine Magazine online, "Corona to Test Plastic-Free Six-Pack Rings on Cans", Nov. 28, 2018, located on Dec. 17, 2019 at: <https://www.foodandwine.com/beer/corona-plastic-free-biodegradable-six-pack-rings-test>, 3 pages.
 U.S. Appl. No. 29/711,028, Notice of Allowance dated Feb. 23, 2021, 10 pages.
 U.S. Appl. No. 29/714,702, Office Action dated Feb. 19, 2021, 9 pages.
 U.S. Appl. No. 29/711,035, Notice of Allowance dated Feb. 23, 2021, 10 pages.
 U.S. Appl. No. 29/714,707, Office Action dated Feb. 19, 2021, 9 pages.
 U.S. Appl. No. 29/711,038, Notice of Allowance dated Feb. 22, 2021, 10 pages.

* cited by examiner

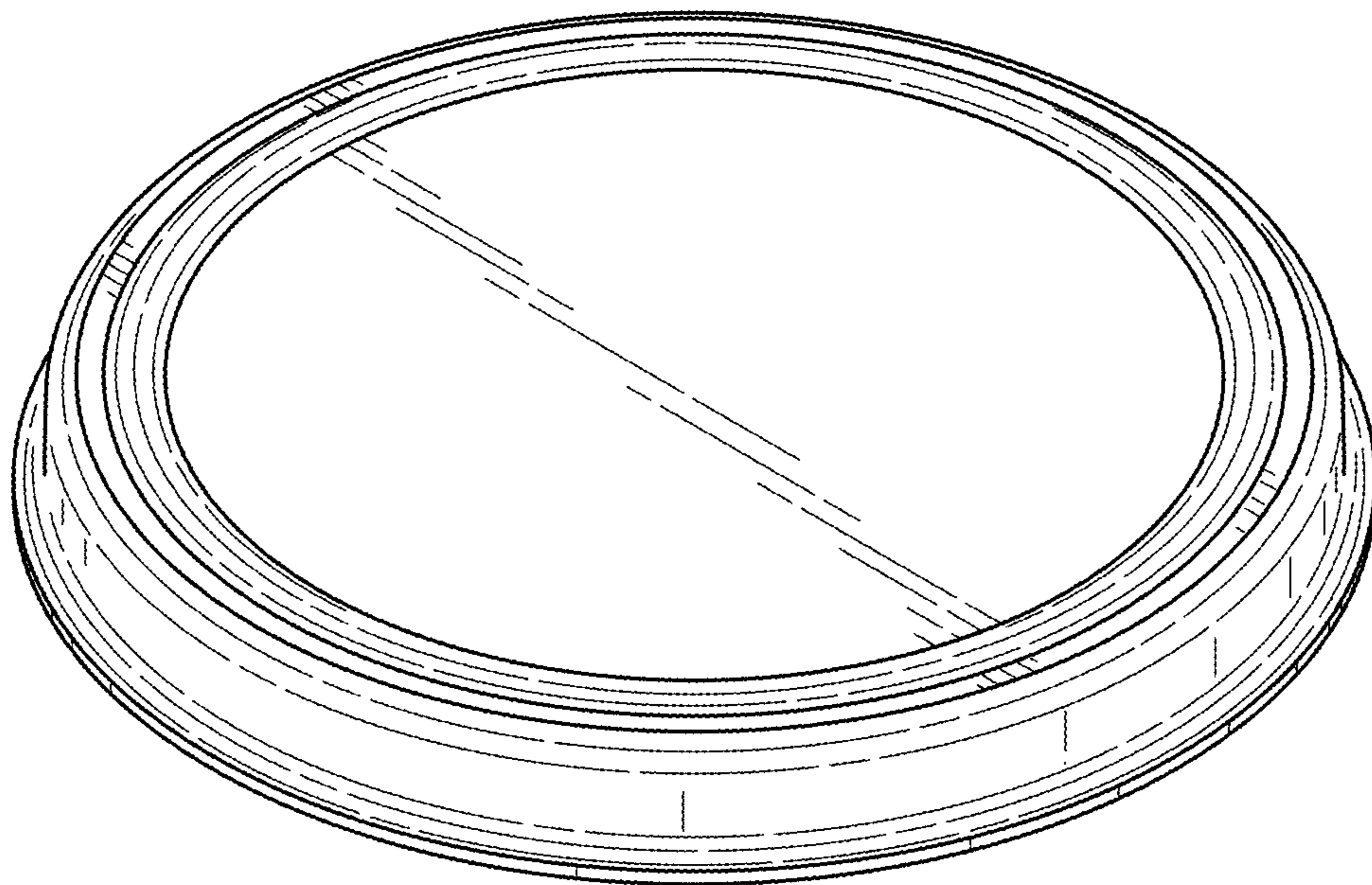


FIG.1

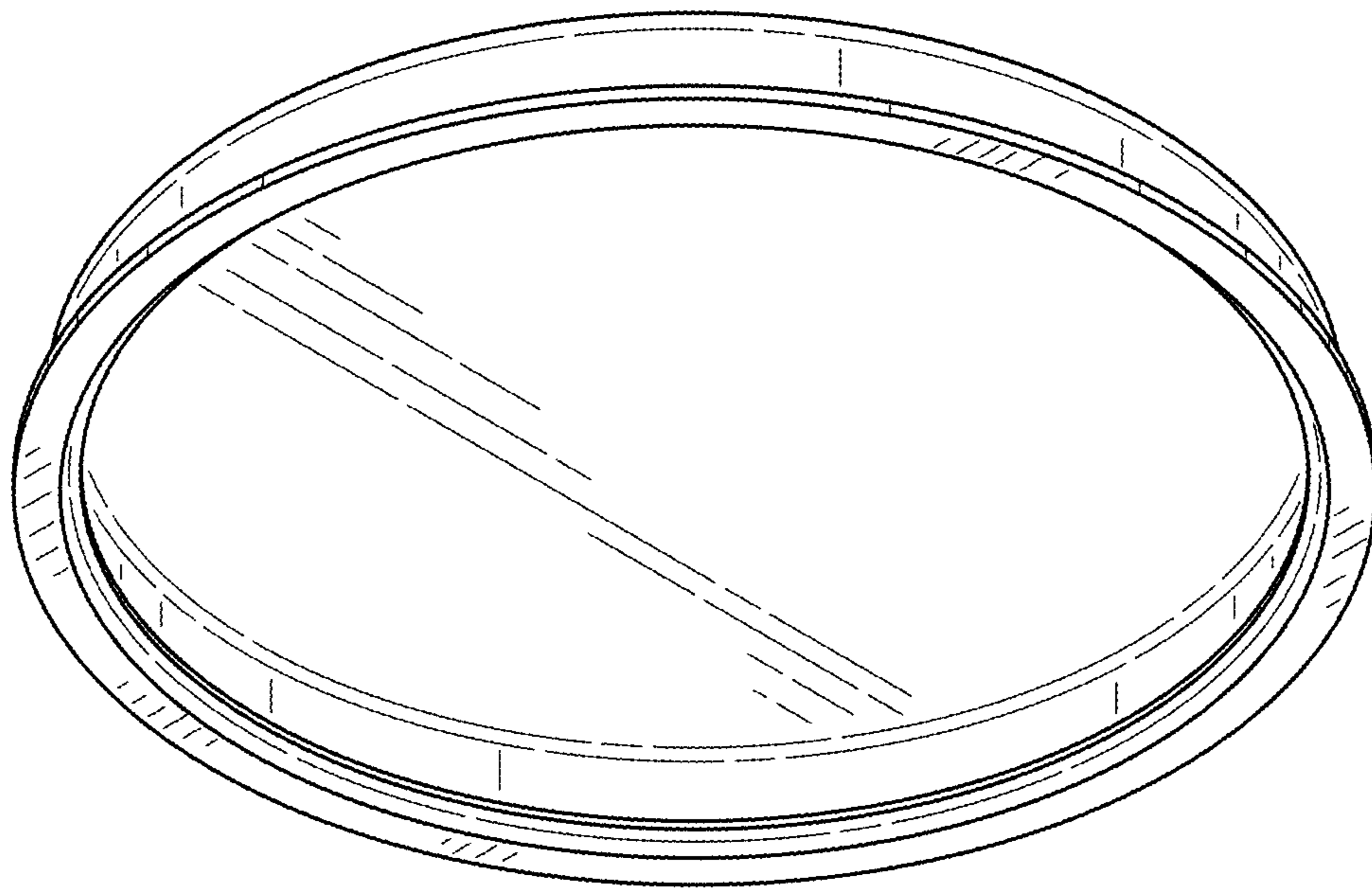


FIG.2

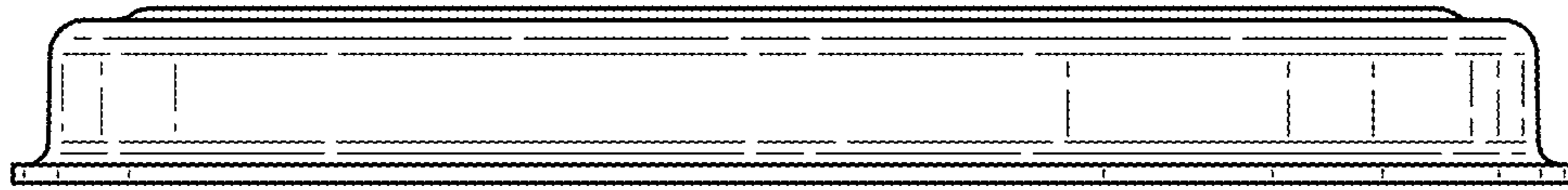


FIG.3



FIG.4

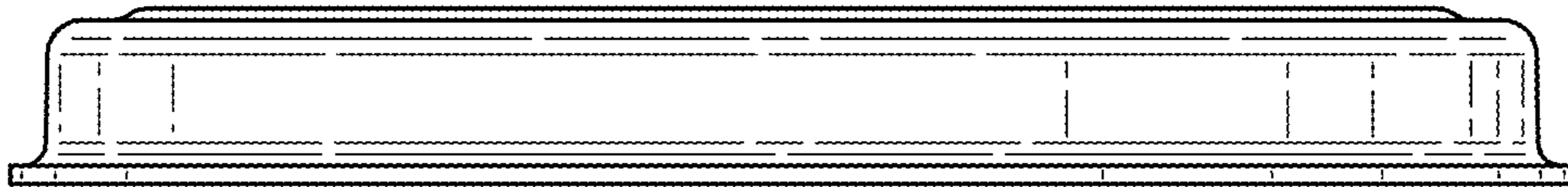


FIG.5

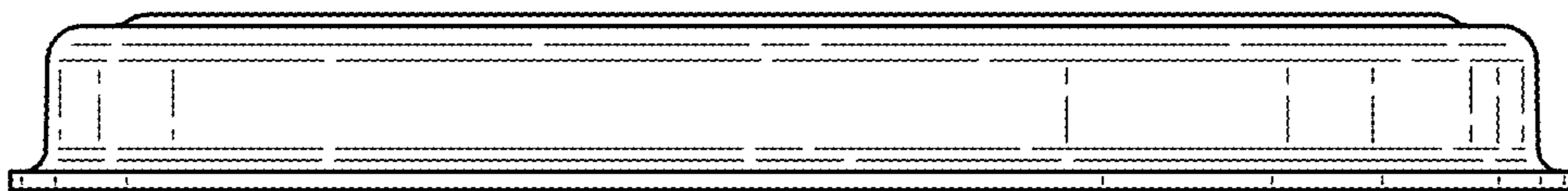


FIG.6

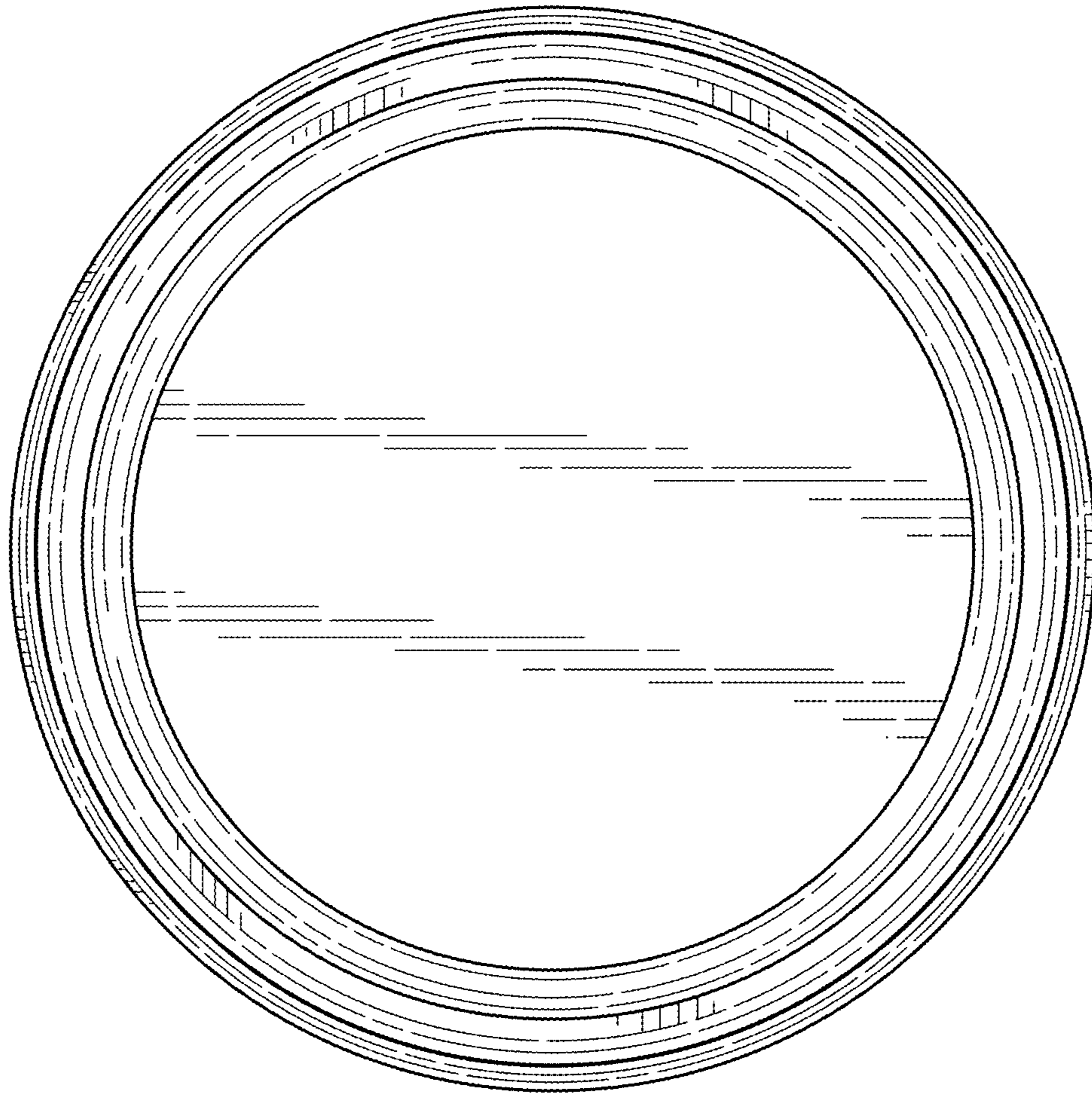


FIG.7

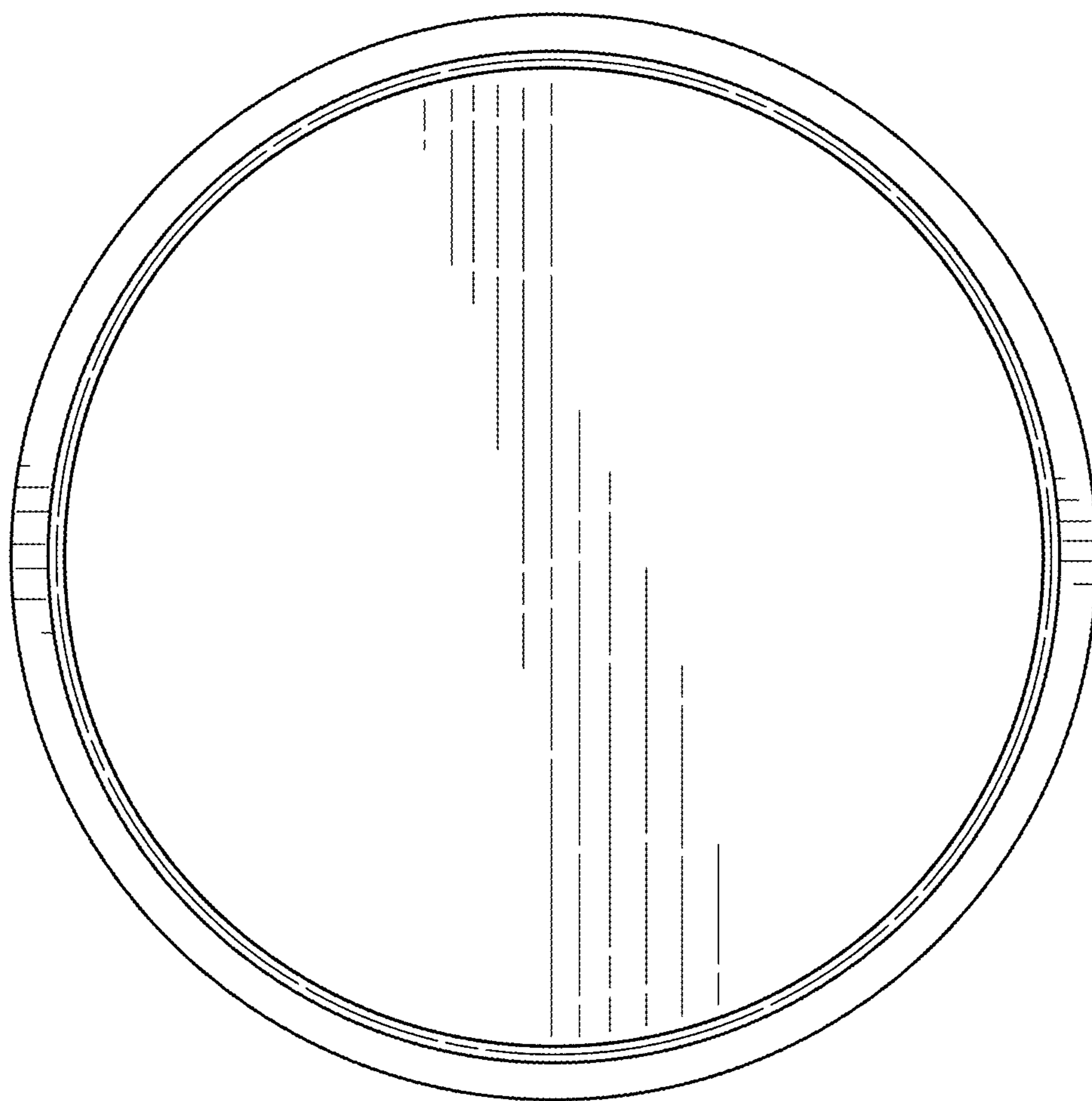


FIG.8