



US00D930473S

(12) **United States Design Patent** (10) **Patent No.:** **US D930,473 S**  
**Righi** (45) **Date of Patent:** **\*\* Sep. 14, 2021**

(54) **SPRAY CAP FOR AEROSOL CONTAINERS**

(71) Applicant: **Coster Tecnologie Speciali S.p.A.**,  
Calceranica Al Lago (IT)

(72) Inventor: **Leonardo Righi**, Calceranica Al Lago  
(IT)

(73) Assignee: **COSTER TECNOLOGIE SPECIALI  
S.P.A.**, Calceranica al Lago (IT)

(\*\*) Term: **15 Years**

(21) Appl. No.: **29/720,360**

(22) Filed: **Jan. 13, 2020**

(30) **Foreign Application Priority Data**

Jul. 18, 2019 (EM) ..... 006634879-0001  
Jul. 18, 2019 (EM) ..... 006634879-0002

(51) **LOC (13) Cl.** ..... **09-07**

(52) **U.S. Cl.**  
USPC ..... **D9/448**

(58) **Field of Classification Search**  
USPC ..... D9/686-692, 445, 448  
CPC ..... B65D 83/14-759  
See application file for complete search history.

(56) **References Cited**

**U.S. PATENT DOCUMENTS**

D198,479 S \* 6/1964 Abplanalp ..... D9/448  
D199,208 S \* 9/1964 Harris ..... D9/448  
3,195,783 A \* 7/1965 Crowell ..... B65D 83/205  
222/402.13  
D206,692 S \* 1/1967 Plzzurro ..... D9/448  
D234,576 S \* 3/1975 Mandeltort ..... D9/448  
D244,431 S \* 5/1977 Butcher ..... D9/448  
4,426,026 A \* 1/1984 Knickerbocker ..... B65D 83/46  
222/402.13  
5,234,140 A \* 8/1993 Demarest ..... B65D 83/14  
222/394  
D447,948 S \* 9/2001 Pannozzo ..... D9/448  
D507,753 S \* 7/2005 Lamb ..... D9/504

D527,630 S \* 9/2006 McConville ..... D9/448  
D536,969 S \* 2/2007 Geier ..... D9/448  
D659,535 S \* 5/2012 Gidlow ..... D9/448  
D746,680 S \* 1/2016 Orasche ..... D9/448

(Continued)

**FOREIGN PATENT DOCUMENTS**

WO D025679-001 \* 5/1993

*Primary Examiner* — Catherine A Tuttle

(74) *Attorney, Agent, or Firm* — Dickinson Wright PLLC;  
Andrew D. Dorisio

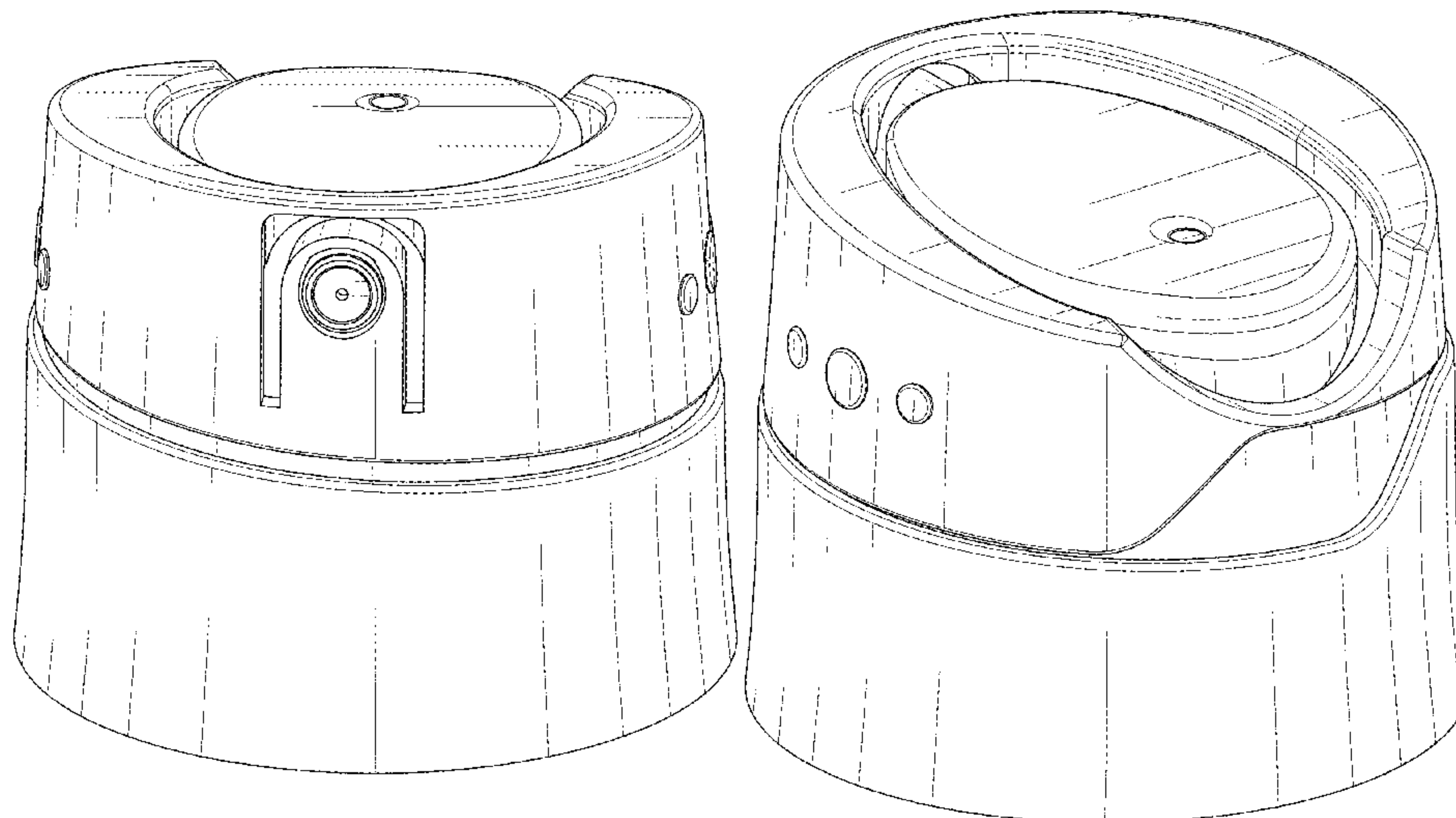
(57) **CLAIM**

The ornamental design for a spray cap for aerosol contain-  
ers, as shown and described.

**DESCRIPTION**

FIG. 1 is a perspective top front perspective view showing  
my new design for a spray cap for aerosol containers, in a  
closed condition;  
FIG. 2 is a top, back and left perspective view thereof;  
FIG. 3 is a back view thereof;  
FIG. 4 is a left side view thereof;  
FIG. 5 is a front view thereof;  
FIG. 6 is a right side view thereof;  
FIG. 7 is a top view thereof;  
FIG. 8 is a top front perspective view showing my new  
design, in an open condition;  
FIG. 9 is a top, back and left perspective view thereof;  
FIG. 10 is back view thereof;  
FIG. 11 is a left side view thereof;  
FIG. 12 is a front view thereof;  
FIG. 13 is a right side view thereof; and,  
FIG. 14 is a top view thereof.  
The broken lines in FIGS. 7 and 14 depict interior details  
that form no part of the claimed design.

**1 Claim, 14 Drawing Sheets**



(56)

**References Cited**

U.S. PATENT DOCUMENTS

D892,628 S \* 8/2020 Caruso ..... D9/688  
2011/0289890 A1 \* 12/2011 Floyd ..... B65D 83/205  
53/492

\* cited by examiner

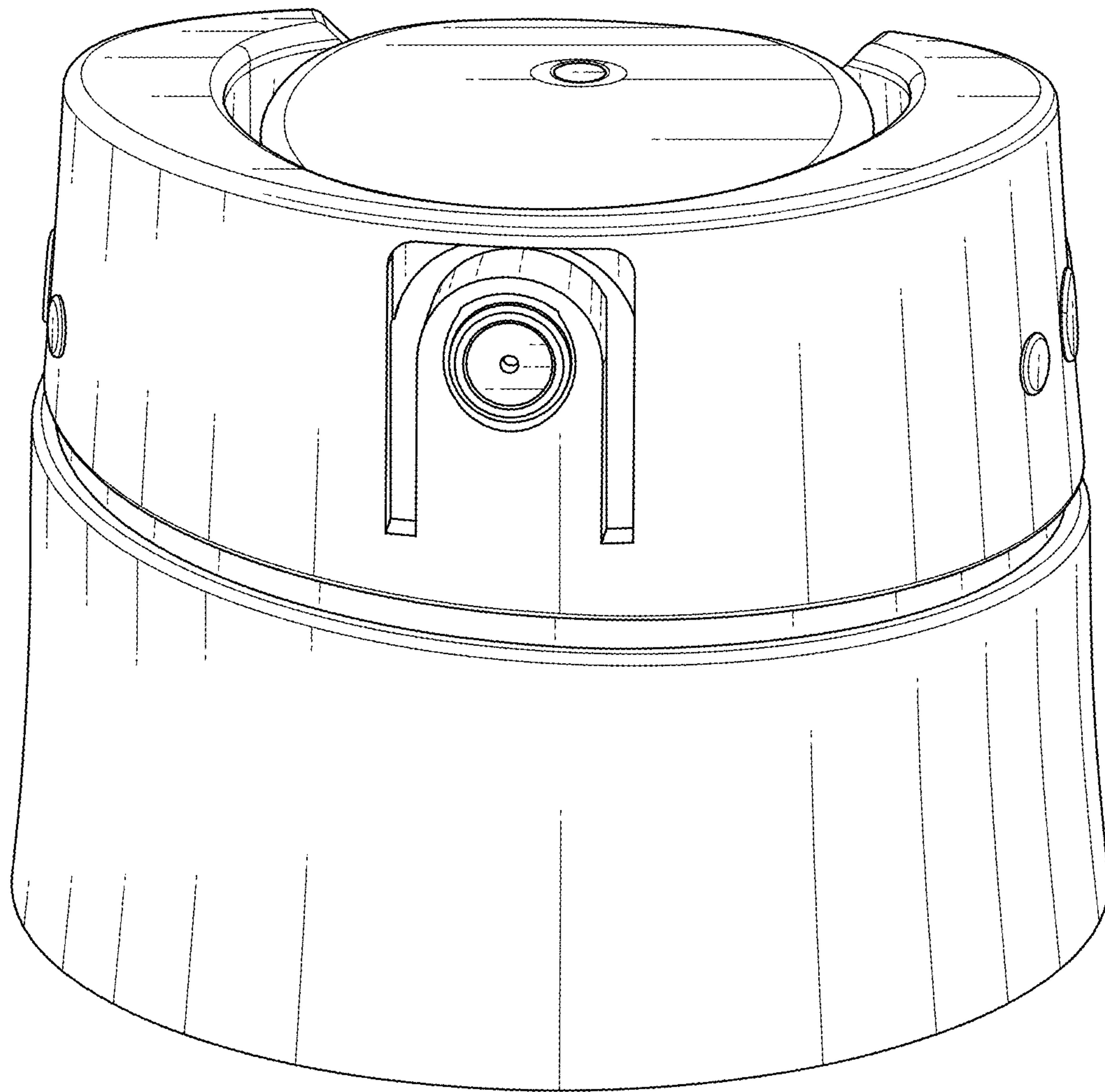


FIG. 1

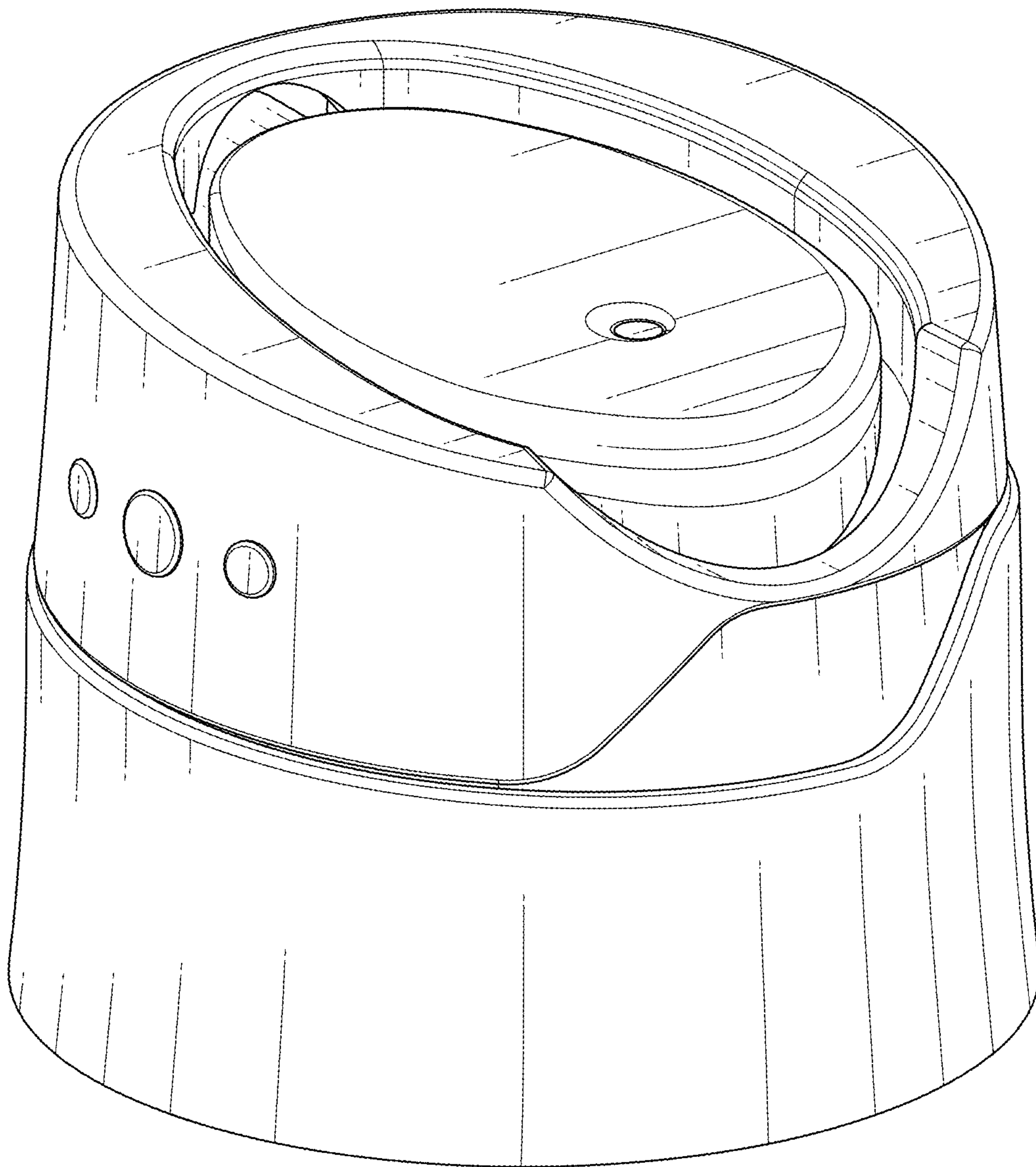


FIG. 2

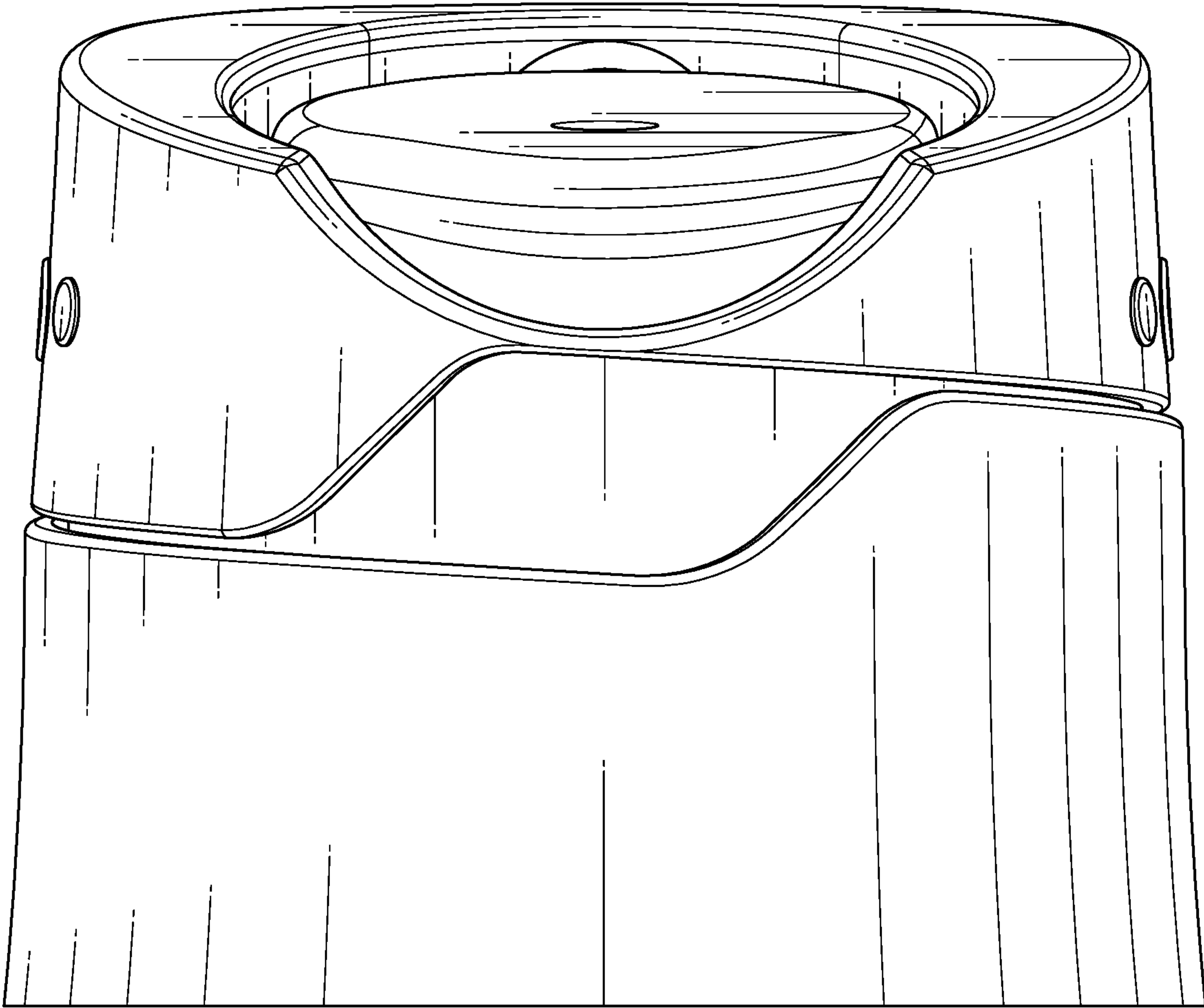


FIG. 3



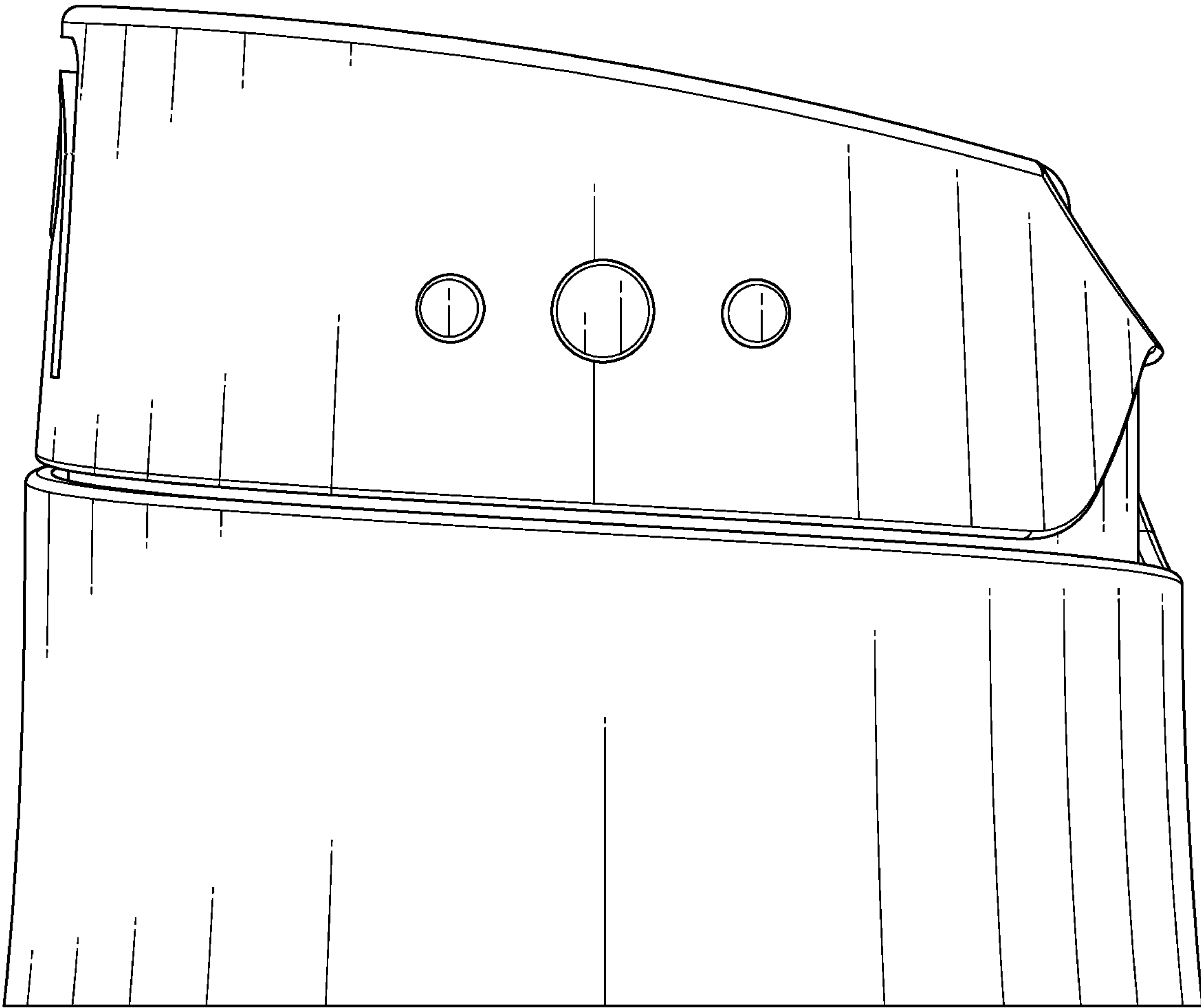


FIG. 4

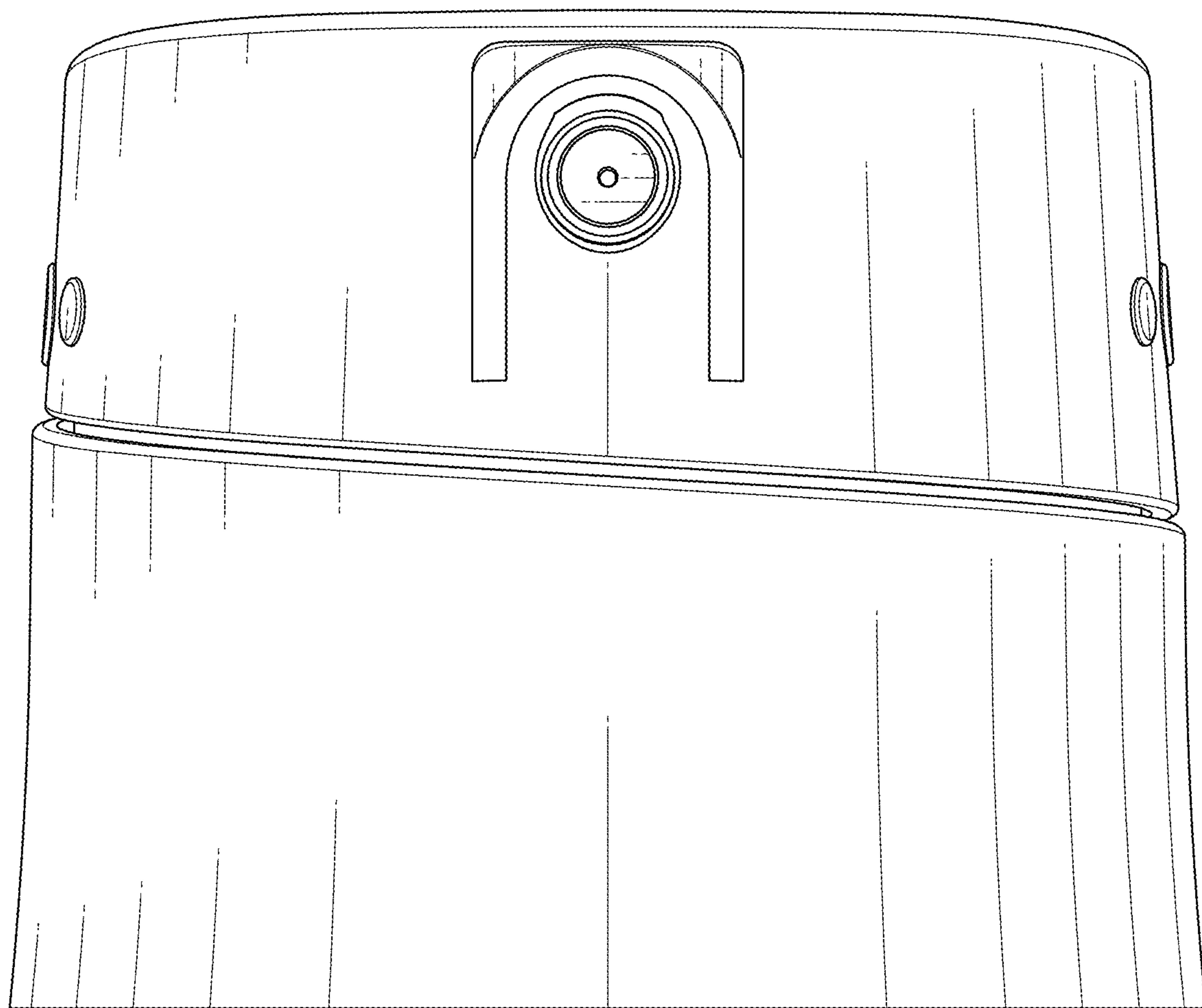


FIG. 5

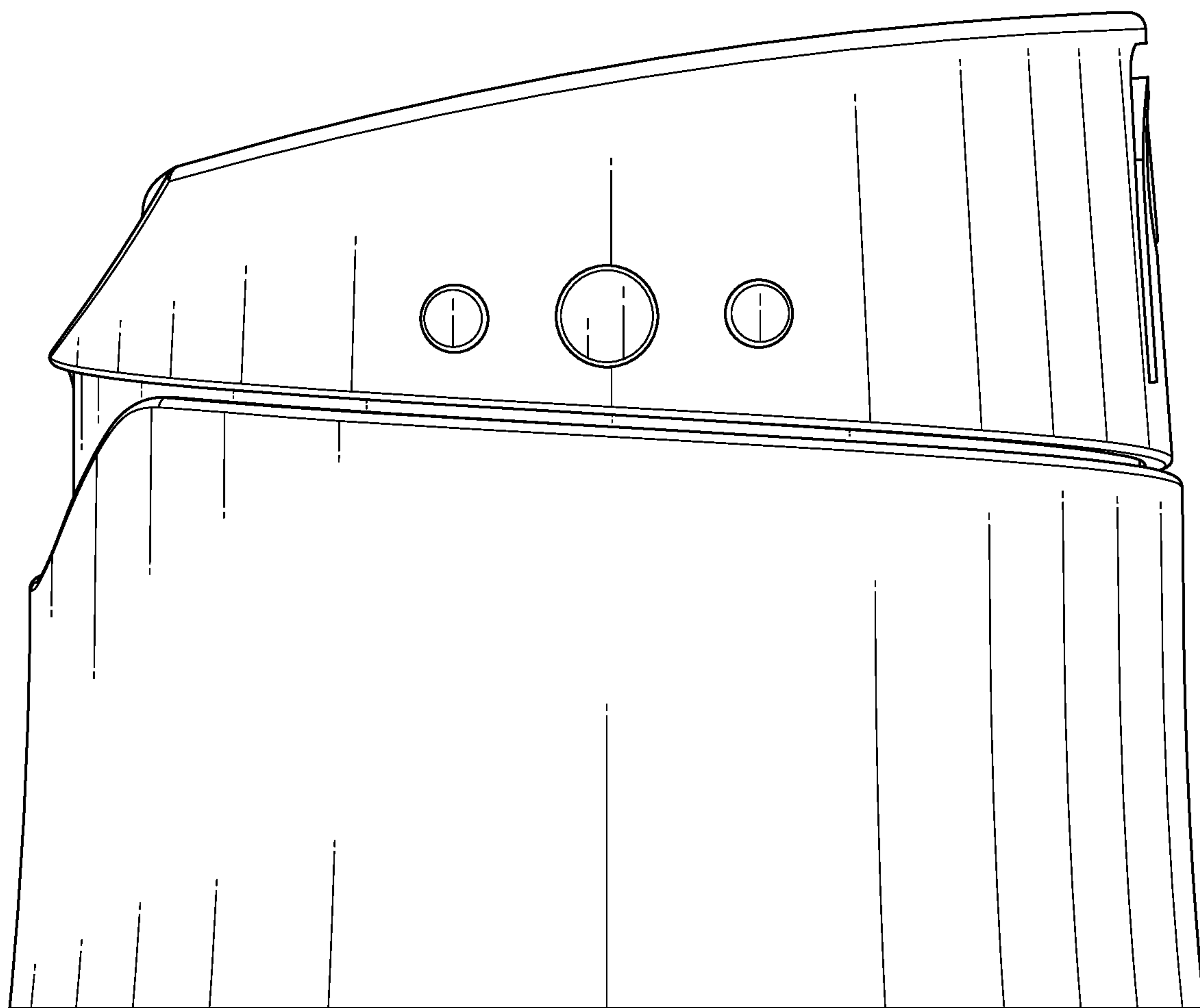


FIG. 6



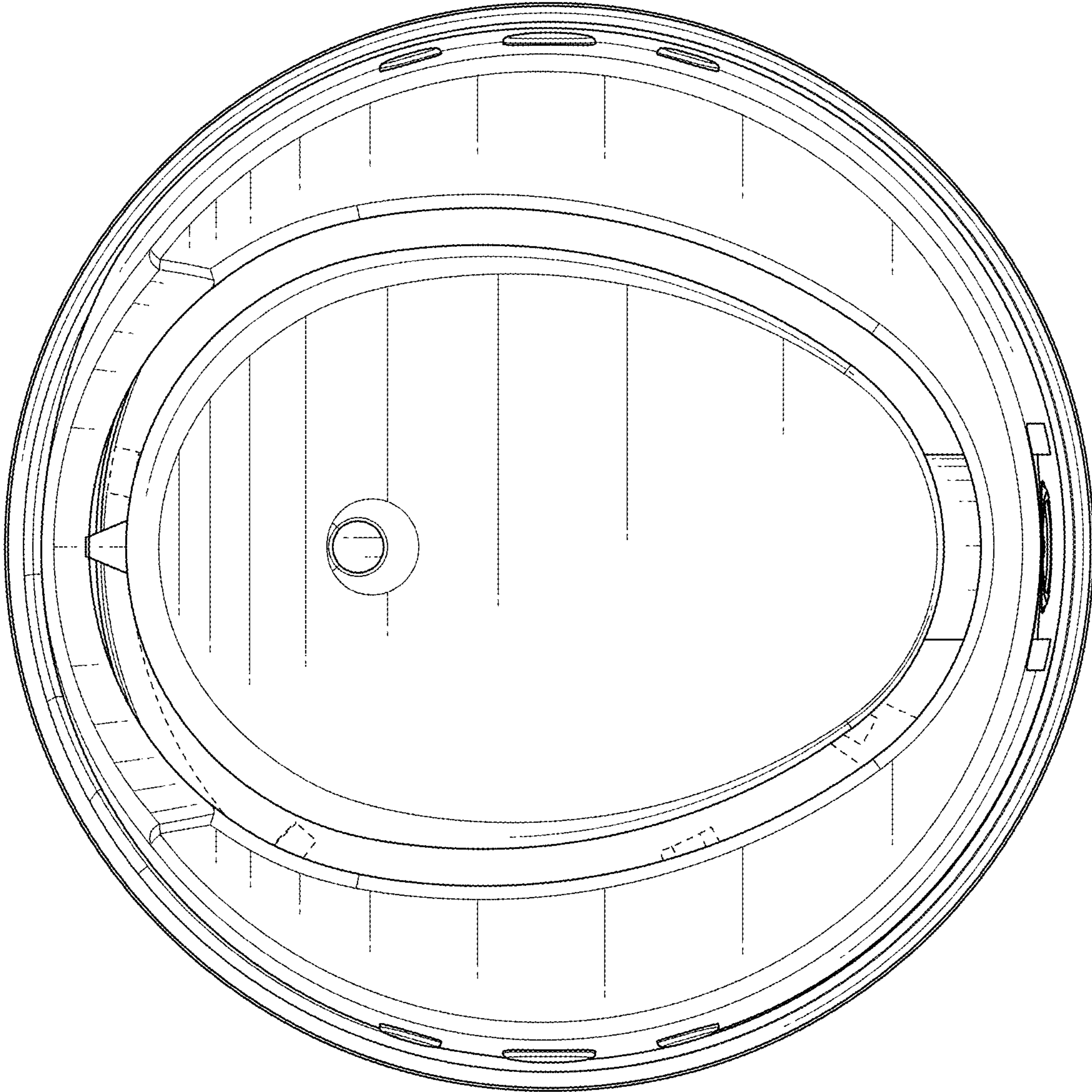


FIG. 7

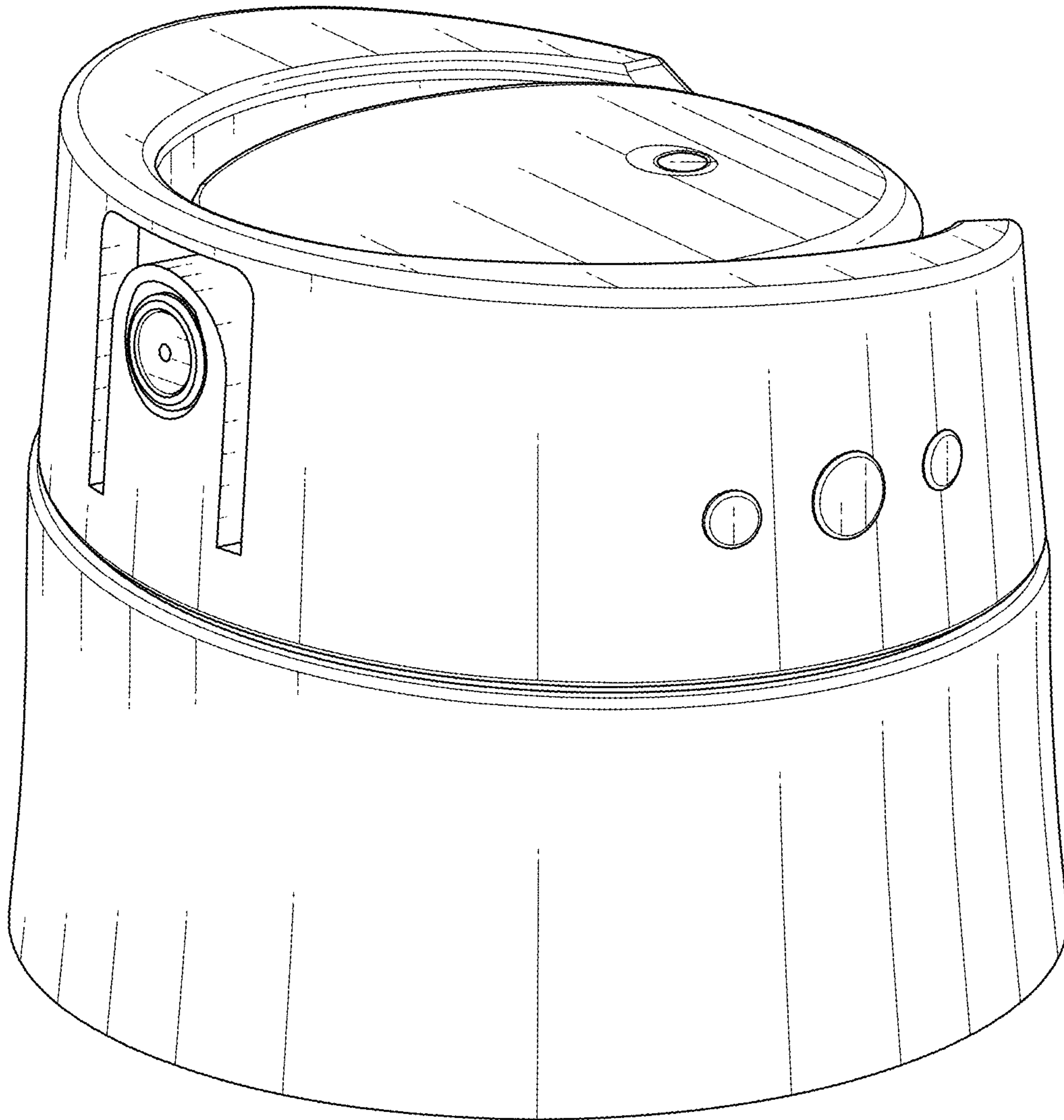


FIG. 8

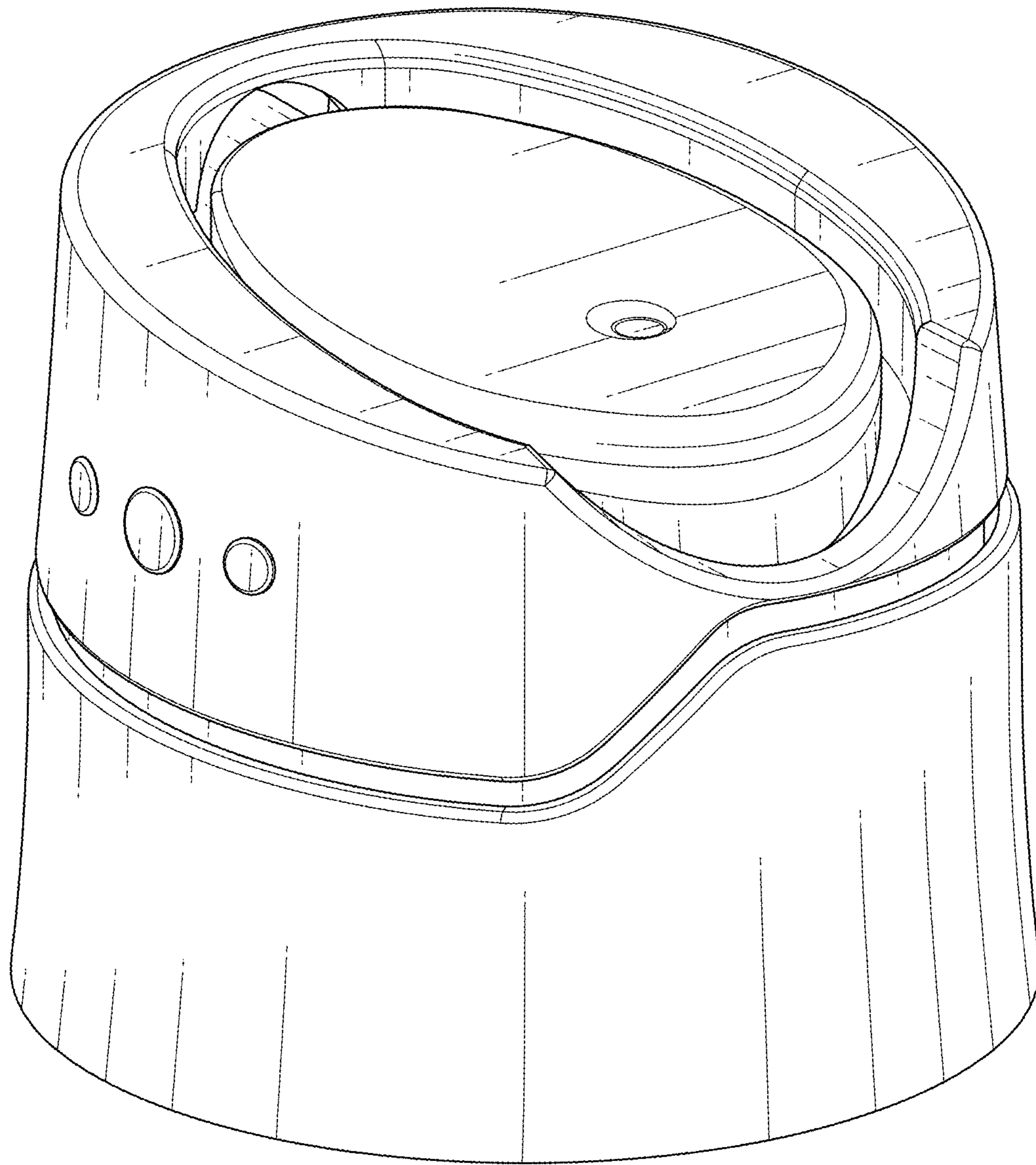


FIG. 9

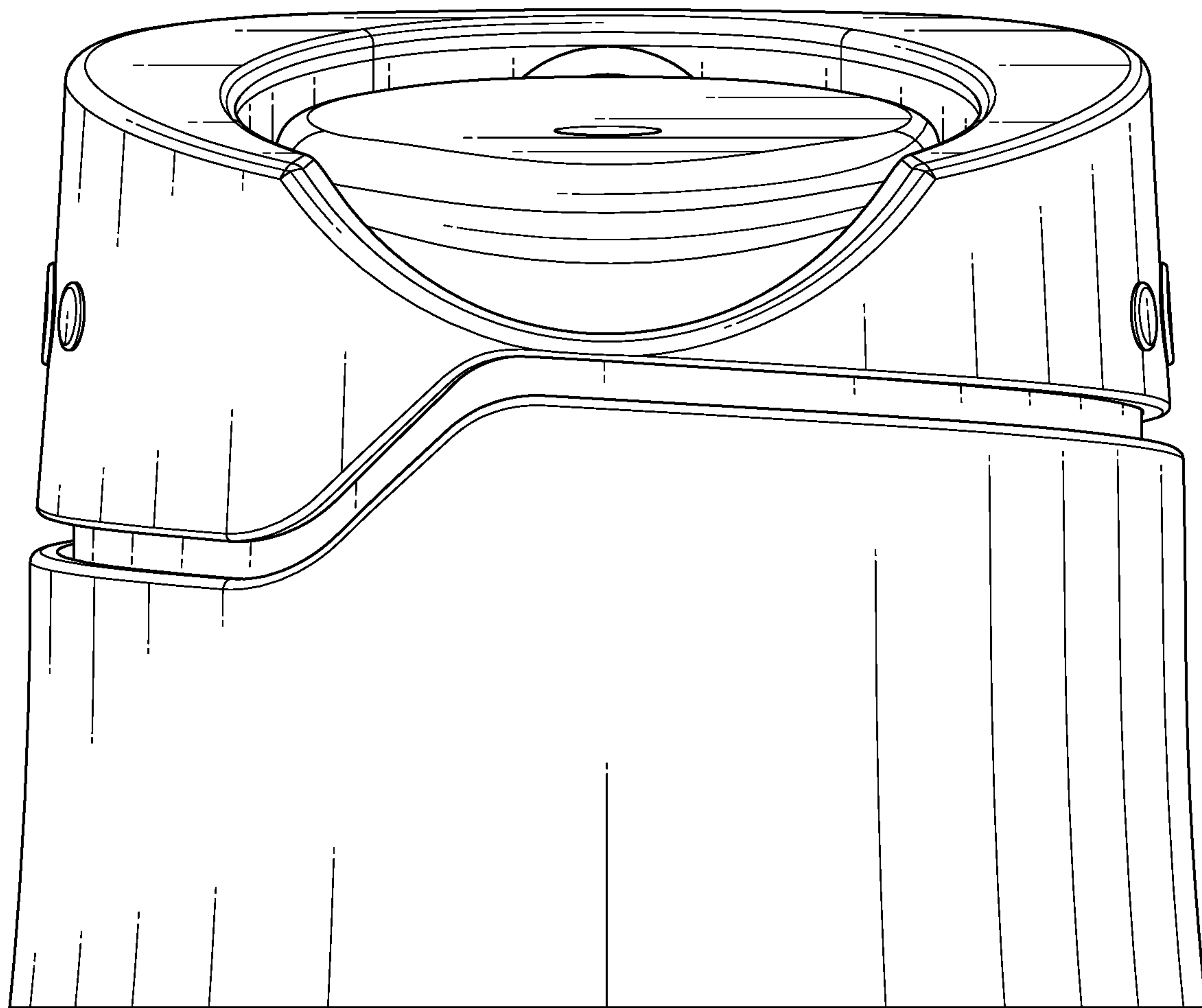


FIG. 10

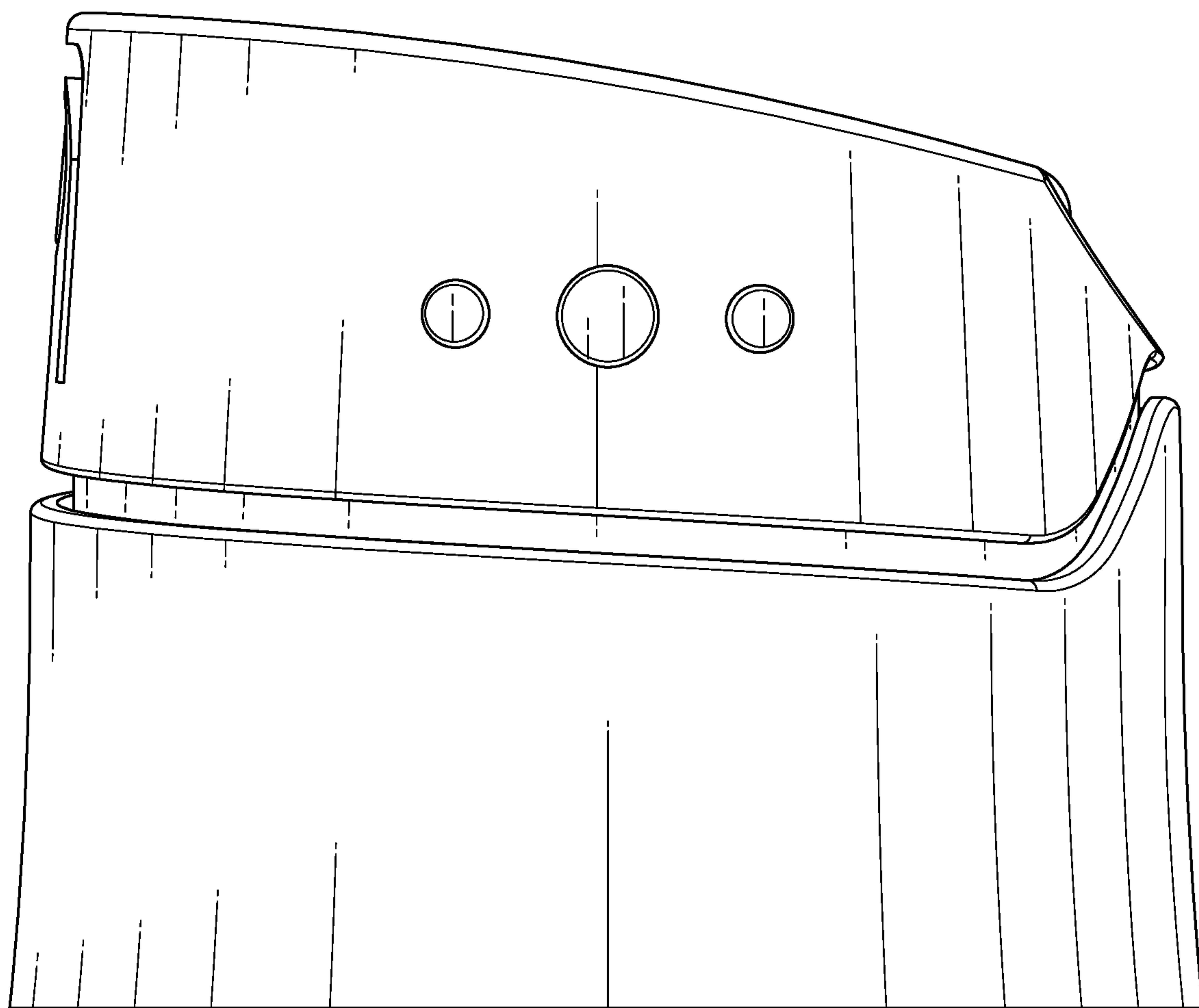


FIG. 11



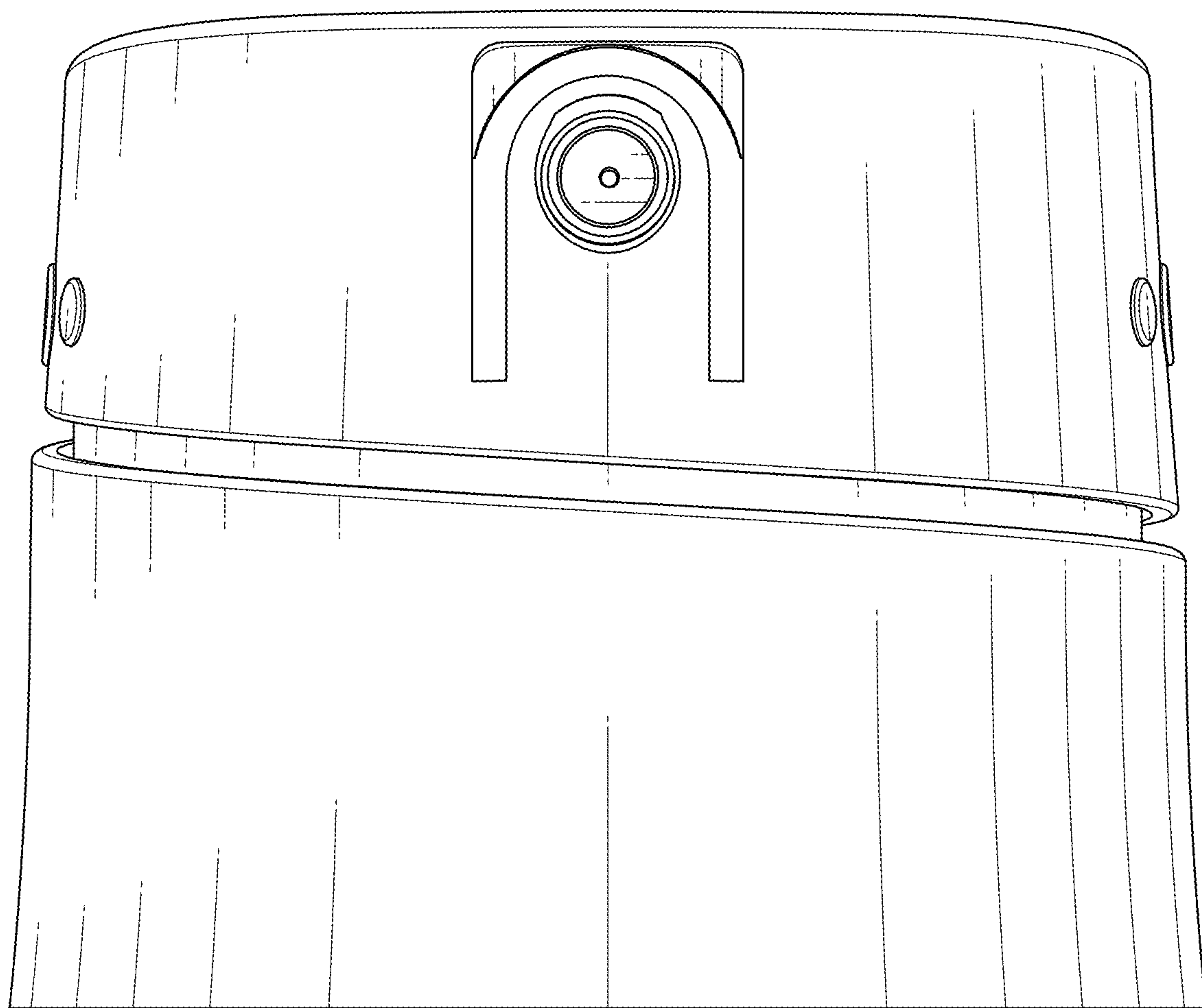


FIG. 12



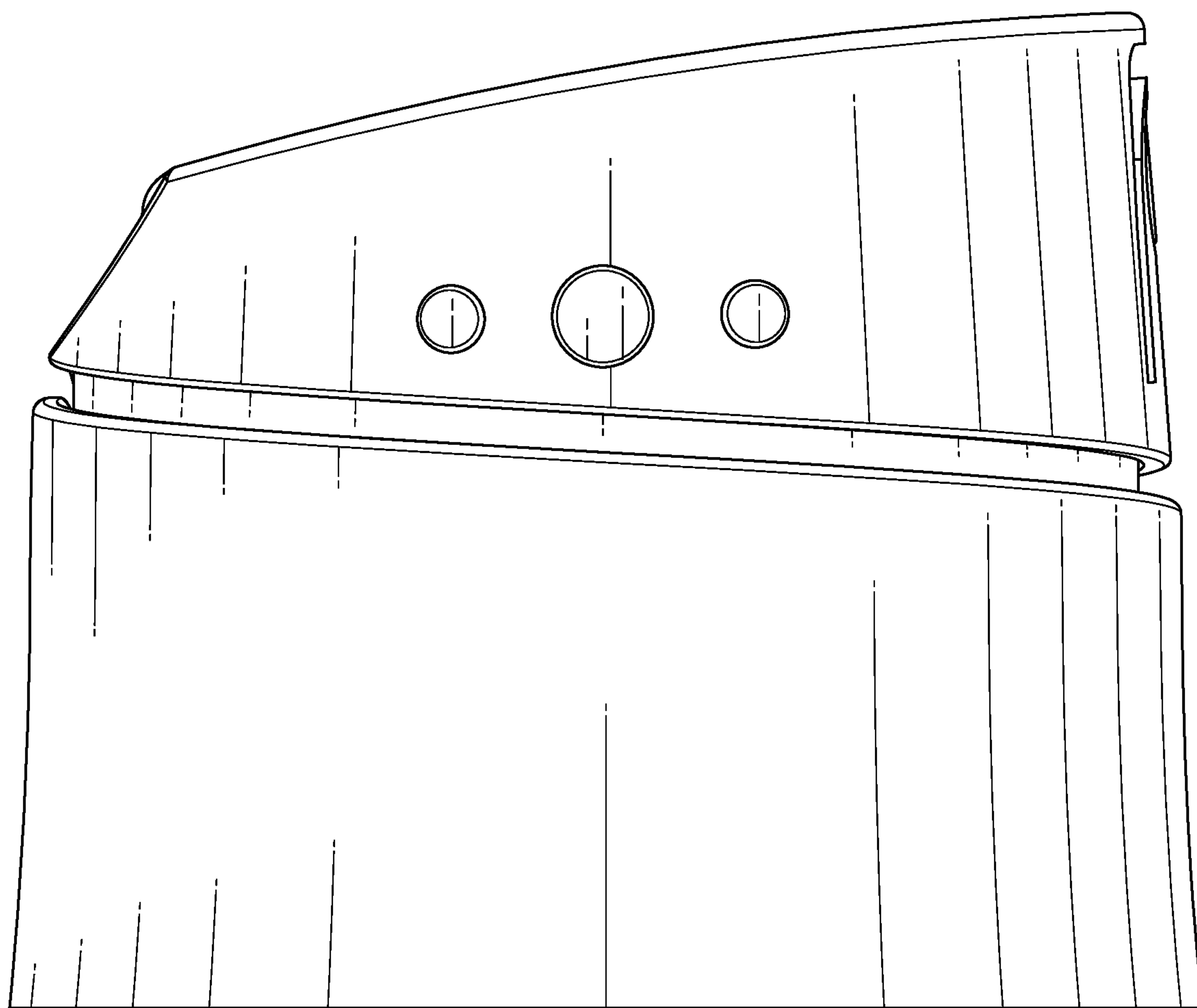


FIG. 13

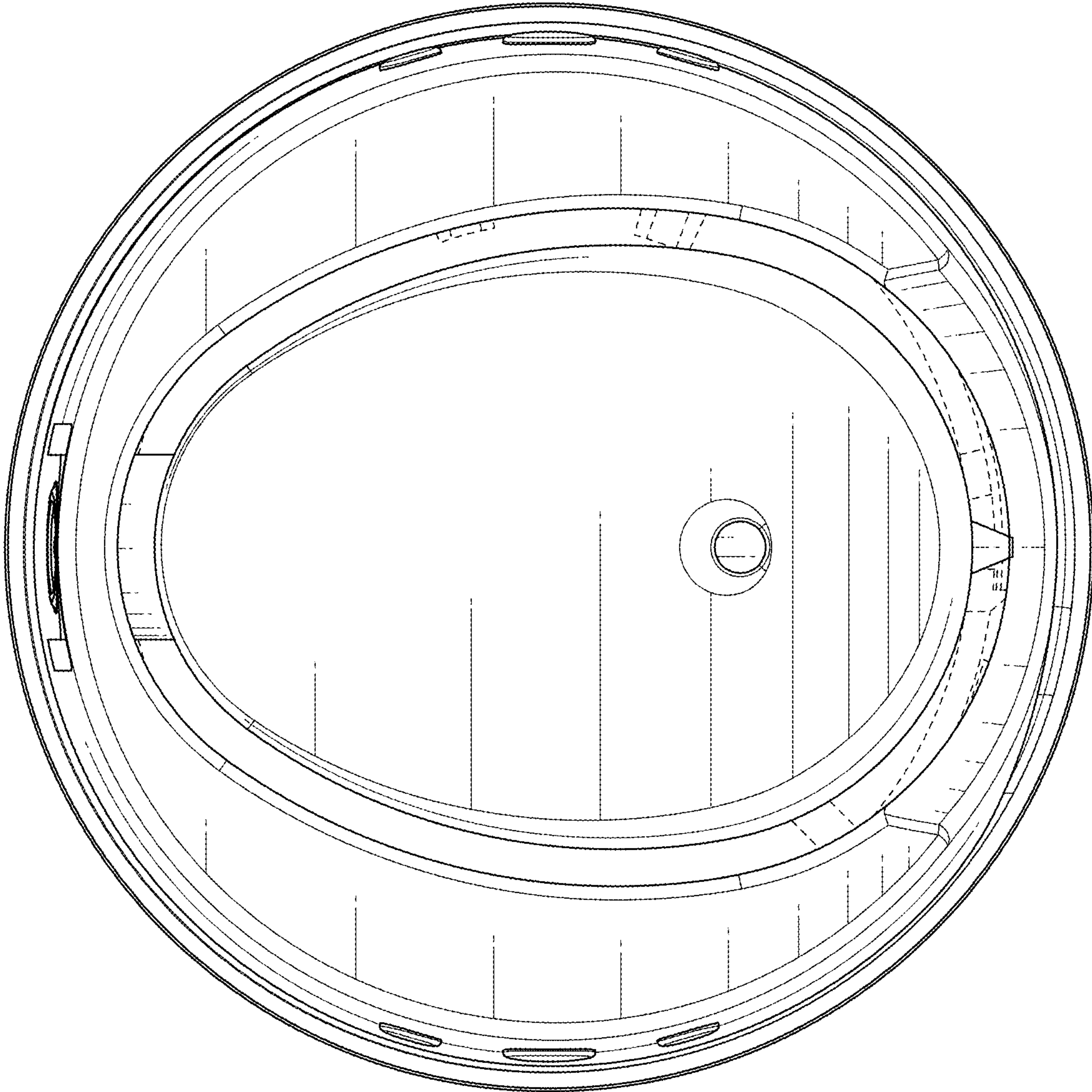


FIG. 14