



US00D930471S

(12) **United States Design Patent** (10) **Patent No.:** **US D930,471 S**
Smith et al. (45) **Date of Patent:** **** Sep. 14, 2021**

(54) **LID FOR CONTAINER**

(71) Applicants: **William Thomas Smith**, Fair Oaks, CA (US); **Cheryl Ann Smith**, Fair Oaks, CA (US)

(72) Inventors: **William Thomas Smith**, Fair Oaks, CA (US); **Cheryl Ann Smith**, Fair Oaks, CA (US)

(73) Assignee: **All Plastic, Inc.**, Rancho Cordova, CA (US)

(**) Term: **15 Years**

(21) Appl. No.: **29/669,654**

(22) Filed: **Nov. 9, 2018**

(51) **LOC (13) Cl.** **09-07**

(52) **U.S. Cl.**
USPC **D9/436**

(58) **Field of Classification Search**
USPC D3/200, 201, 203.1, 203.2, 203.4; D6/677; D7/300, 300.2, 387, 391, 392, D7/302.1, 396.1, 396.2, 397, 398, 509, D7/510, 511, 601, 602, 619.1, 900; D9/686, 690, 434, 435, 439, 446, 447, D9/452, 454, 414, 418, 422, 423, 424, D9/428, 431, 436, 503, 504, 549, 721; D24/121, 127, 193, 194, 196, 197, 199, D24/216, 224; D27/100, 172, 175, 183, D27/186

CPC B65D 25/54; B65D 25/106; B65D 25/22; B65D 25/24; B65D 39/0005; B65D 43/06; B65D 51/24; B65D 51/245; B65D 2201/00; A47F 3/145; A45D 34/02

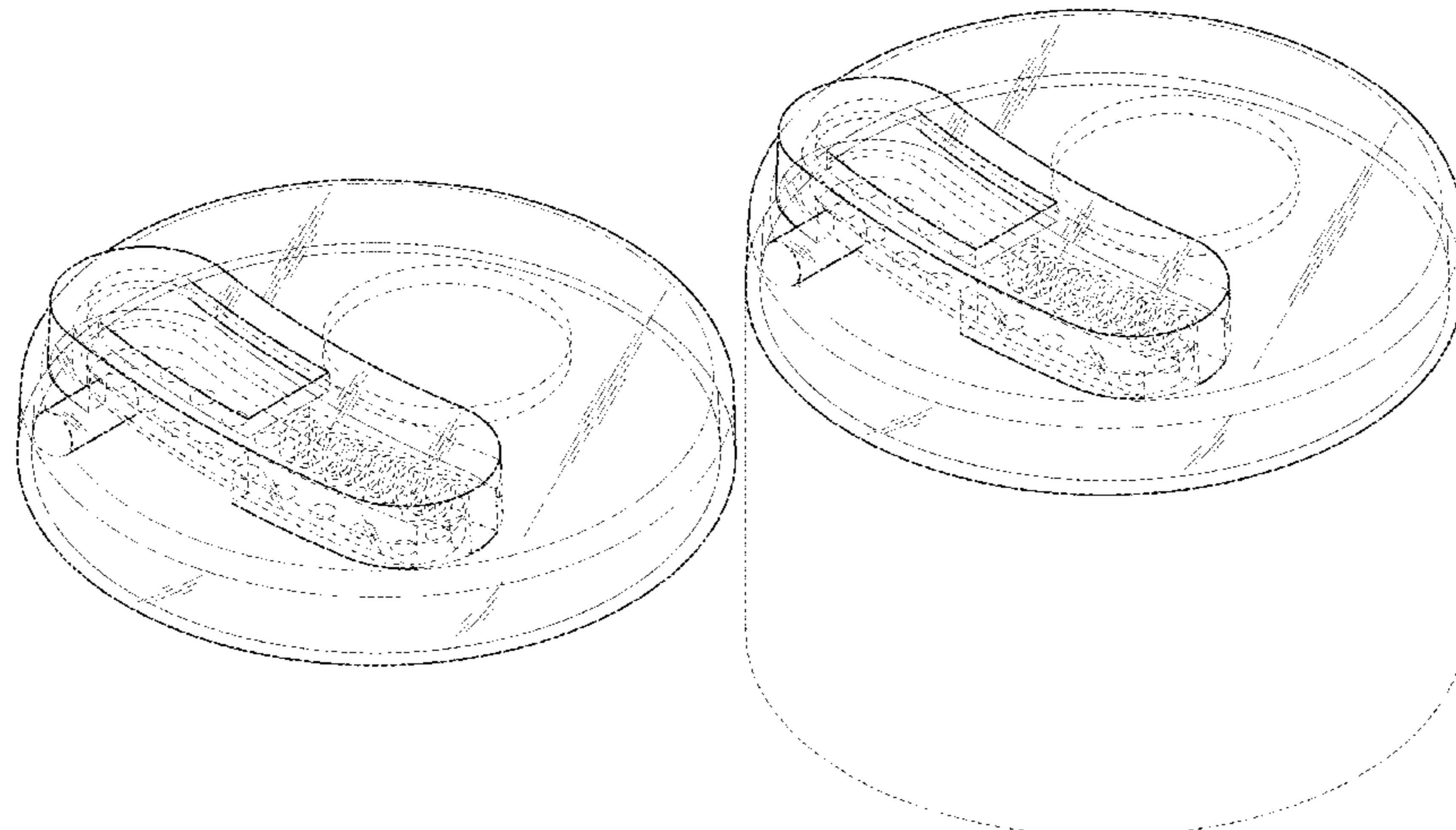
See application file for complete search history.

3,247,995 A	4/1966	Jensen	
3,656,840 A	4/1972	Smith et al.	
4,106,660 A	8/1978	Boyle	
D255,546 S	6/1980	Zaidmann et al.	
4,230,231 A	10/1980	Burnett et al.	
4,284,200 A	8/1981	Bush et al.	
D272,595 S	2/1984	Chase et al.	
D292,887 S	11/1987	Schouten	
D303,428 S *	9/1989	Wada	D24/224
4,979,332 A	12/1990	Nagaya et al.	
D322,323 S *	12/1991	Moir	D24/224
D340,187 S	10/1993	Forsyth	
5,321,908 A	6/1994	Ushimaru	
5,363,801 A	11/1994	Watters et al.	
5,927,007 A	7/1999	Oda et al.	
6,013,524 A	1/2000	Friars et al.	
D455,552 S	4/2002	Charness	
6,571,972 B1	6/2003	Bouc et al.	
D476,572 S *	7/2003	Merritt	D28/82
D480,307 S	10/2003	Canamasas Puigbo	
6,761,287 B2	7/2004	Caruso	
D493,721 S *	8/2004	Puigbo	D28/76
D493,722 S	8/2004	Cooper	
D513,979 S	1/2006	Snedden et al.	
D517,405 S	3/2006	Snedden et al.	
D518,728 S *	4/2006	Frantz	D9/454
D523,752 S *	6/2006	Bried	D9/504
7,185,827 B2	3/2007	Quintard et al.	
D547,177 S	7/2007	Sherman et al.	
D588,450 S	3/2009	Snedden et al.	
D590,706 S	4/2009	Doliwa et al.	
D591,148 S	4/2009	Parikh et al.	
D600,111 S	9/2009	Gerulski et al.	
D621,603 S *	8/2010	Traylor	D3/203.2
D630,949 S	1/2011	Lim	
D646,969 S	10/2011	Snedden et al.	
D647,530 S	10/2011	Busch	
8,079,478 B2	12/2011	Short et al.	
D655,604 S	3/2012	Molina et al.	
D671,831 S	12/2012	Moreau	
D685,227 S	7/2013	Boonprasop	
8,544,208 B2	10/2013	Huang	
D696,948 S	1/2014	Kim	
D702,547 S *	4/2014	Akana	D14/496
D703,055 S	4/2014	Park	
8,925,725 B1 *	1/2015	Burnett	B65D 25/10 206/446
D731,891 S *	6/2015	Servaire	D9/504
D749,381 S	2/2016	Magri	
D765,389 S	9/2016	Martin	
D769,079 S	10/2016	Kotani	
D775,959 S *	1/2017	Owen	D28/82
D778,718 S	2/2017	Smith et al.	

(56) **References Cited**

U.S. PATENT DOCUMENTS

D128,936 S 8/1941 Foley
D181,321 S * 10/1957 Stowell D9/418
2,807,901 A 10/1957 Gilowitz



9,630,747	B2	4/2017	Smith et al.	
D794,944	S	8/2017	Martin	
D806,543	S	1/2018	Finkbohner et al.	
D812,939	S	3/2018	Modlin	
D814,831	S	4/2018	Modlin	
9,981,790	B1 *	5/2018	Ost	B65D 51/245
D821,738	S *	7/2018	Small	D3/203.2
D830,779	S	10/2018	Li et al.	
D842,494	S *	3/2019	Lee	D24/224
D849,526	S	5/2019	Sanders et al.	
D855,449	S	8/2019	Smith et al.	
10,384,834	B2	8/2019	Smith et al.	
D859,894	S *	9/2019	Smith	D6/682.1
D861,475	S *	10/2019	Giwani	D9/418
D862,226	S *	10/2019	Horn	D9/436
D863,053	S	10/2019	Smith et al.	
D866,334	S *	11/2019	Wieland	D9/504
D876,945	S	3/2020	Smith et al.	
D877,930	S *	3/2020	Santamarta	D24/224
D878,120	S *	3/2020	Smith	D6/682.1
D878,826	S *	3/2020	Smith	D6/672
2003/0234208	A1	12/2003	Huang	
2005/0092751	A1	5/2005	Alvares et al.	
2007/0051826	A1	3/2007	Schofield	
2009/0057326	A1	3/2009	Opitz	
2009/0261100	A1	10/2009	McMinn	
2010/0300370	A1	12/2010	Hundt	
2013/0313217	A1	11/2013	Yamamoto et al.	
2016/0031605	A1	2/2016	Bean et al.	
2016/0318672	A1 *	11/2016	Smith	B65D 51/24
2017/0190482	A1	7/2017	Smith et al.	
2017/0275075	A1	9/2017	Bamonte et al.	
2018/0362215	A1	12/2018	Whetsel et al.	
2019/0009967	A1	1/2019	Lung	
2019/0152648	A1	5/2019	Parve et al.	
2020/0113353	A1 *	4/2020	Bigioni	A47F 7/286
2020/0130901	A1 *	4/2020	Karli	B65D 50/041

FOREIGN PATENT DOCUMENTS

EP 1779885 A1 5/2007

OTHER PUBLICATIONS

Bud Bars Display: Announced Sep. 4, 2018 [online]. Site Visited [May 16, 2020]. Available from Internet URL: <https://www.budbardisplays.com/product/pods/sample-pods-package>.
 Author Unknown; Bud Pod Seals Airtight for Freshness; Published Sep. 14, 2018; Retrieved Nov. 5, 2019 from www.budbardisplays.com/product/pods/bud-pod.
 Magazine AD for Bud Bar Displays™. 3rd Annual Marijuana Business Conference & Expo, Las Vegas, NV, Nov. 1, 2014. 3 pages.
 Magazine AD for Bud Bar Displays™. Canna Con, Denver, Colorado, Jun. 1, 2015. 3 pages.
 Magazine AD showing Bud Bar Displays™. Dope Magazine, Issue #7, Dec. 1, 2015. 2 pages.
 Magazine AD for Bud Bar Displays™. MG-Magazine.com, Feb. 1, 2016. 2 pages.
 Magazine AD for Bud Bar Displays™. Marijuana Business Magazine, vol. 2, Issue 4, Jul. 1, 2015. 2 pages.
 Magazine AD for Bud Bar Displays™. Marijuana Venture Magazine, Jun. 1, 2017. 3 pages.
 Magazine AD for Bud Bar Displays™. Marijuana Venture Magazine, Nov. 1, 2017. 3 pages.
 Magazine AD for Bud Bar Displays™. Marijuana Venture Magazine, vol. 1, Issue 7, Sep. 1, 2014. 3 pages.
 Magazine AD for Bud Bar Displays™. The News Tribune, Aug. 15, 2014. 2 pages.
 Pictures of Bud Bar Displays™ booth at the KushCon Convention, which features the Epods. Denver, Colorado, Dec. 1, 2010. 3 pages.
 Website photo. cannabisaroma cannapod. www.budbardisplays.com. Published Jan. 23, 2016.
 Website photo. Bud-Pod. www.budbardisplays.com. Published Jan. 1, 2016.

Website photo. BadBar. www.budbardisplays.com. Published Jan. 23, 2016.
 Website photo. Aroma epod. www.budbardisplays.com. Published Jan. 23, 2016.
 Website photo. Highlight display. www.budbardisplays.com. Published Jan. 23, 2016.
 Website photo. 3 Tier Lighted Display. www.budbardisplays.com. Published Jul. 9, 2017.
 Website photo. Bud bar cabinet. www.budbardisplays.com. Published Jul. 9, 2017.
 Website photo. Budtender1. www.budbardisplays.com. Published Jul. 9, 2017.
 Website photo. Canna pod. www.budbardisplays.com. Published Jul. 9, 2017.
 Website photo. Eco Pod Cabinet. www.budbardisplays.com. Published Jul. 9, 2017.
 Website photo. Bud Pod. www.budbardisplays.com. Published Jul. 9, 2017.
 Website photo. e-Pod. www.budbardisplays.com. Published Jul. 9, 2017.
 Website photo. Sample pod package. www.budbardisplays.com. Published Jul. 9, 2017.
 Website photo. Security seals for pods. www.budbardisplays.com. Published Jul. 9, 2017.
 Website photo. Tether on Bud Pod3. www.budbardisplays.com. Published Jul. 9, 2017.
 Bud Pod and Bud pod security tether close up. Publication on Facebook Oct. 21, 2016. <https://www.facebook.com/BudBarDisplays/photos/a.1250515684990657/1250523611656531/?type=3&theater>.
 Budtender Demo—Bud Bar Displays. Publication on youtube dated May 7, 2017—<https://www.youtube.com/watch?v=JRd6B1ZXZIk>.
 Facebook post showing sample containers, Oct. 22, 2016. <https://www.facebook.com/BudBarDisplays/photos/a.1250515684990657/1251439121564980/?type=3&theater>.
 Facebook post showing sample containers, Oct. 22, 2016. <https://www.facebook.com/BudBarDisplays/photos/a.1250515684990657/1251439121564980/?type=3&theater> (continued).

* cited by examiner

Primary Examiner — Catherine S Posthauer
 (74) Attorney, Agent, or Firm — Ballard Spahr LLP

(57)

CLAIM

The ornamental design for a lid for container, as shown and described.

DESCRIPTION

FIG. 1 is a perspective view of a lid for container, showing our new design in a first configuration;
 FIG. 2 is a front view of the lid for container in the first configuration shown in FIG. 1;
 FIG. 3 is a left view of the lid for container in the first configuration shown in FIG. 1;
 FIG. 4 is a rear side view of the lid for container in the first configuration shown in FIG. 1;
 FIG. 5 is right side view of the lid for container in the first configuration shown in FIG. 1;
 FIG. 6 is a top plan view of the lid for container in the first configuration shown in FIG. 1;
 FIG. 7 is a bottom plan view of the lid for container in the first configuration shown in FIG. 1;
 FIG. 8 is a perspective view of the lid for container in the first configuration shown in FIG. 1, shown with an exemplary container;

FIG. 9 is a perspective view of the lid for container of FIG. 1, with the Lid for container shown in a second configuration, and with the exemplary container removed;

FIG. 10 is a front view of the lid for container in the second configuration shown in FIG. 9;

FIG. 11 is a left side view of the lid for container in the second configuration shown in FIG. 9;

FIG. 12 is a rear view of the lid for container in the second configuration shown in FIG. 9;

FIG. 13 is a right side view of the lid for container in the second configuration shown in FIG. 9;

FIG. 14 is a top plan view of the lid for container in the second configuration shown in FIG. 9;

FIG. 15 is a bottom plan view of the lid for container in the second configuration shown in FIG. 9; and,

FIG. 16 is a further perspective view of the lid for container in the second configuration shown in FIG. 9, shown with an exemplary container.

The broken lines are shown for the purpose of illustrating both (a) parts of the article; and (b) environmental subject matter of an exemplary container. None of the broken lines form part of the claim.

1 Claim, 12 Drawing Sheets

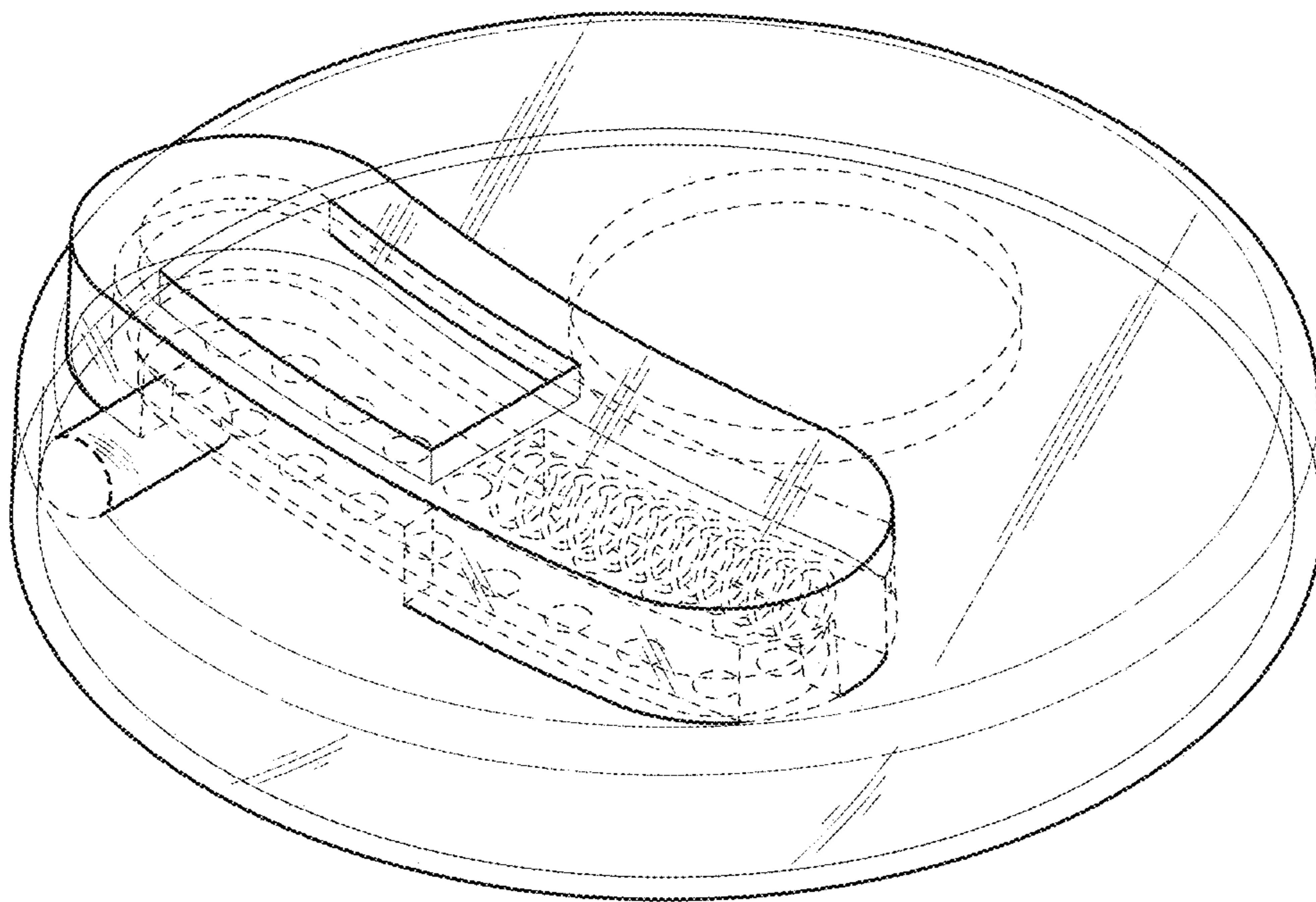


FIG. 1

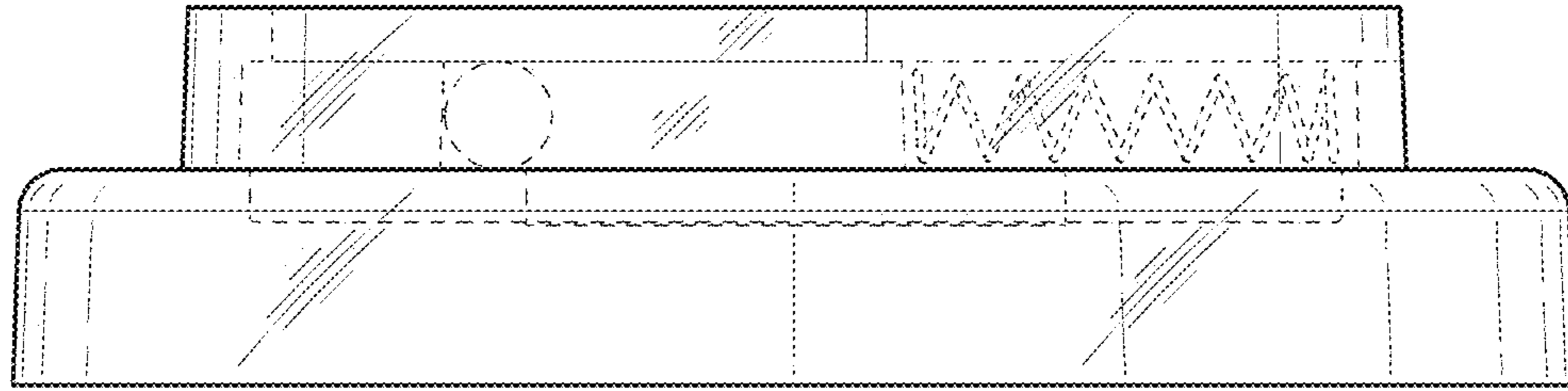


FIG. 2

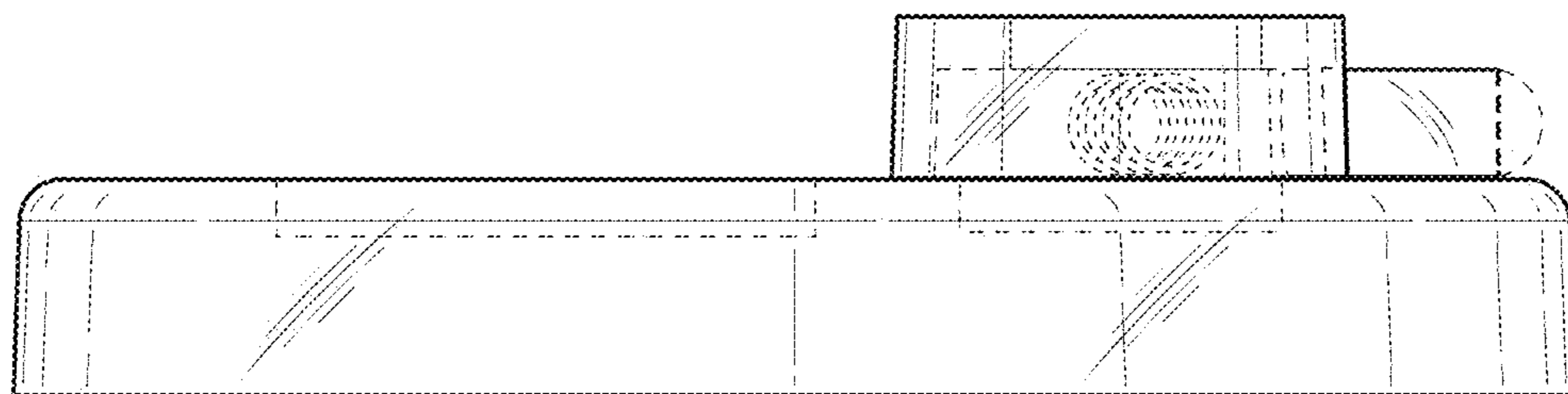


FIG. 3

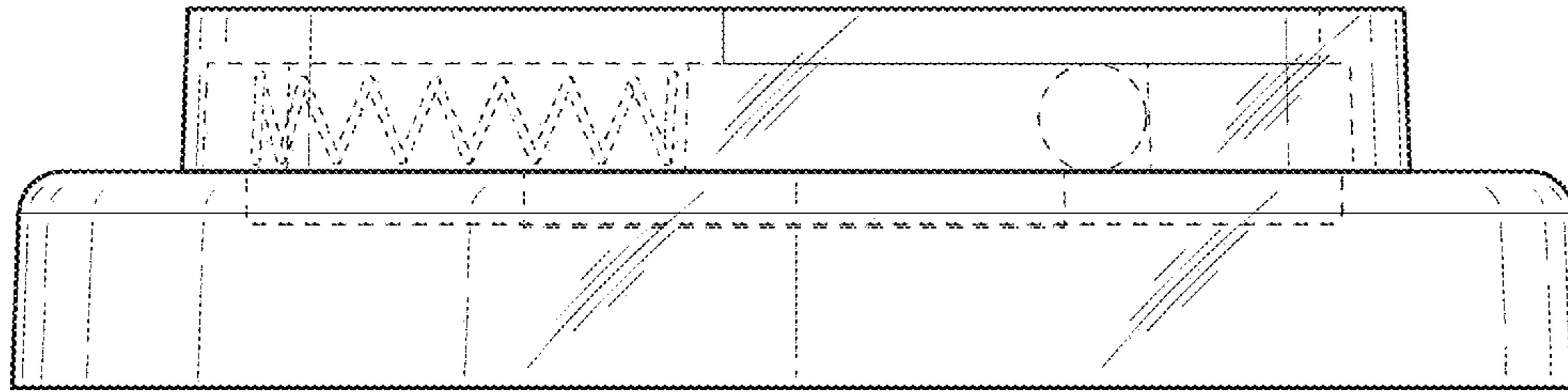


FIG. 4

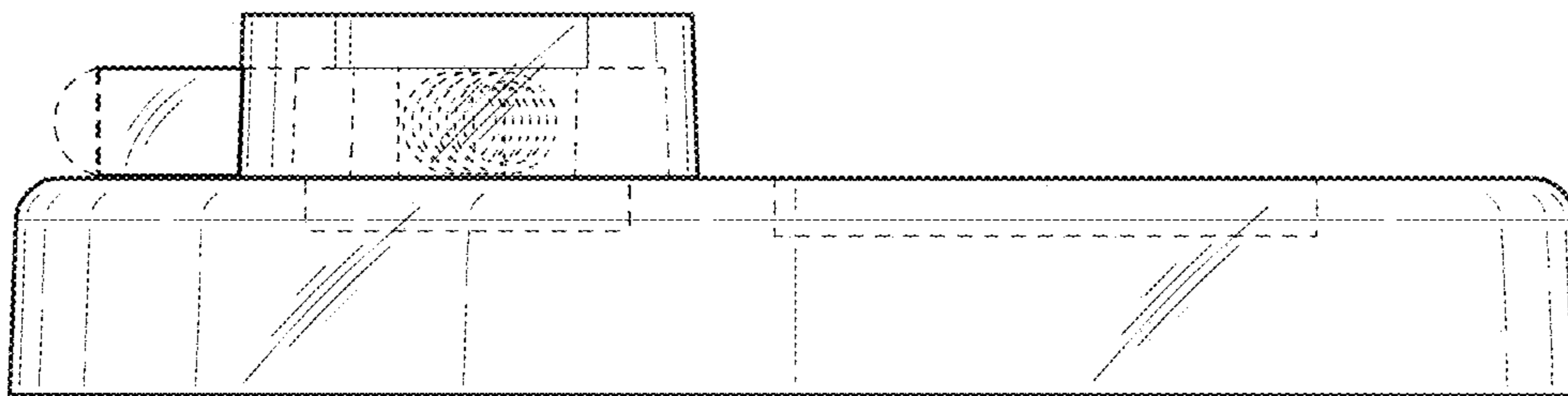


FIG. 5

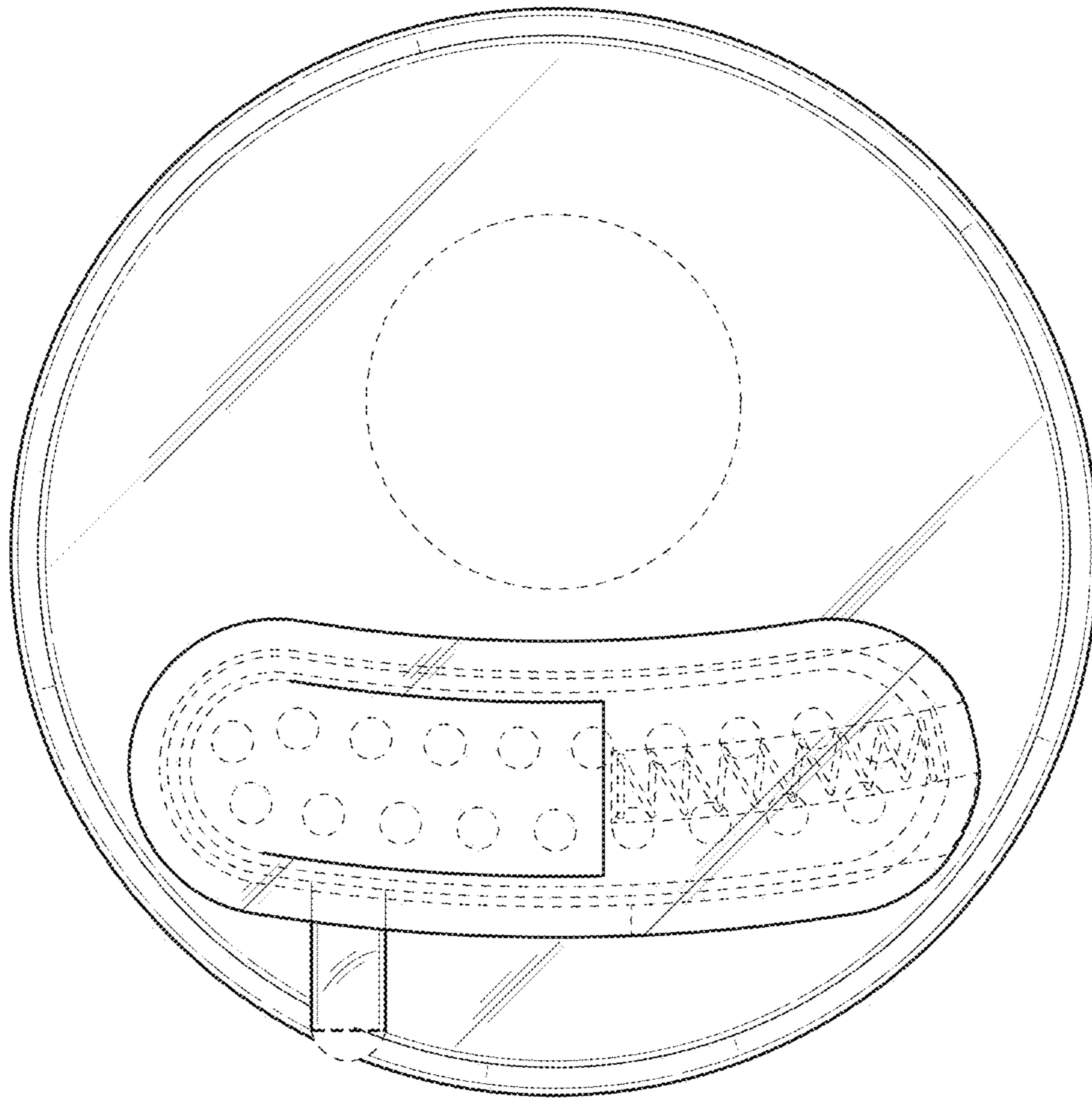


FIG. 6

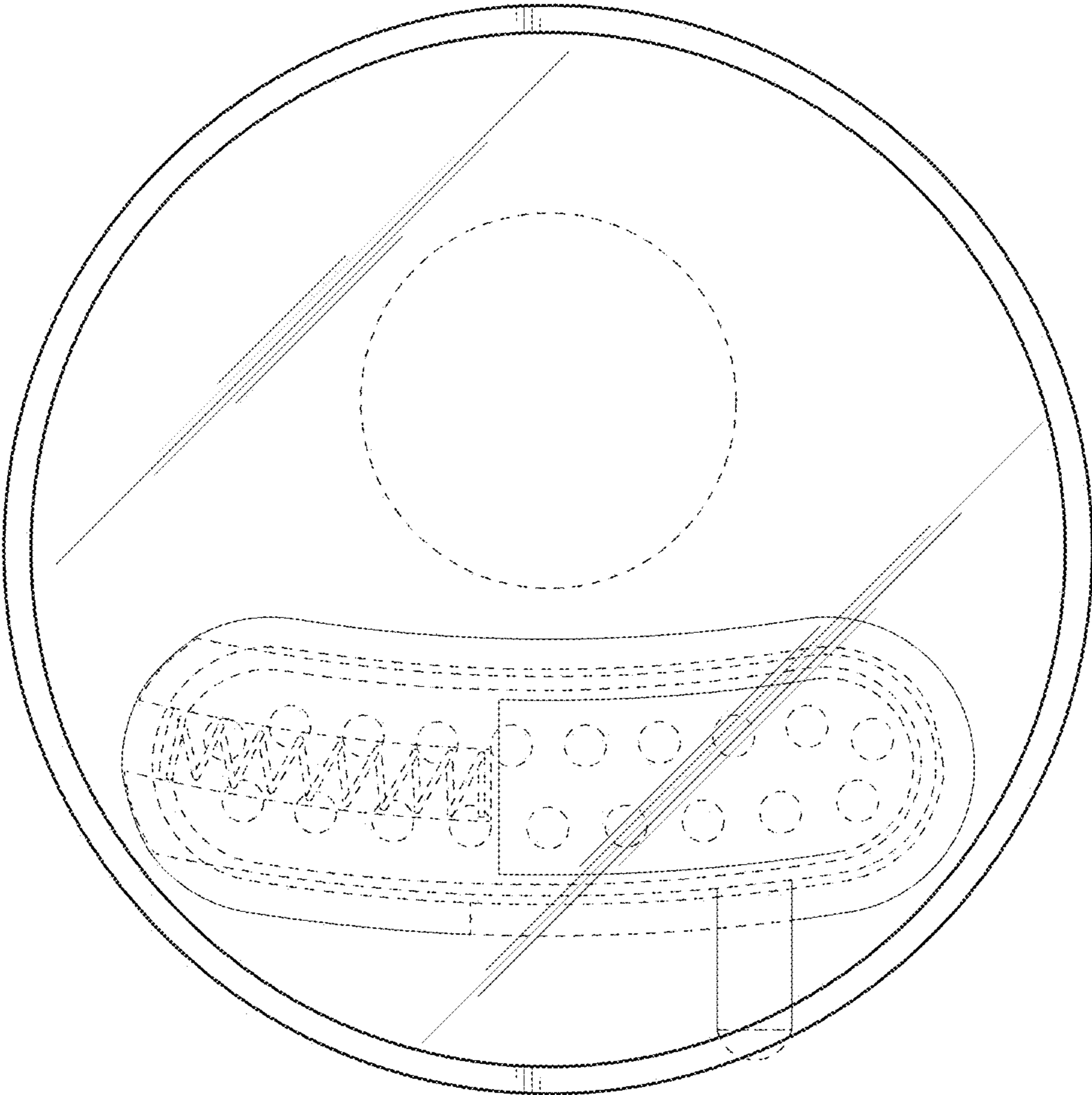


FIG. 7

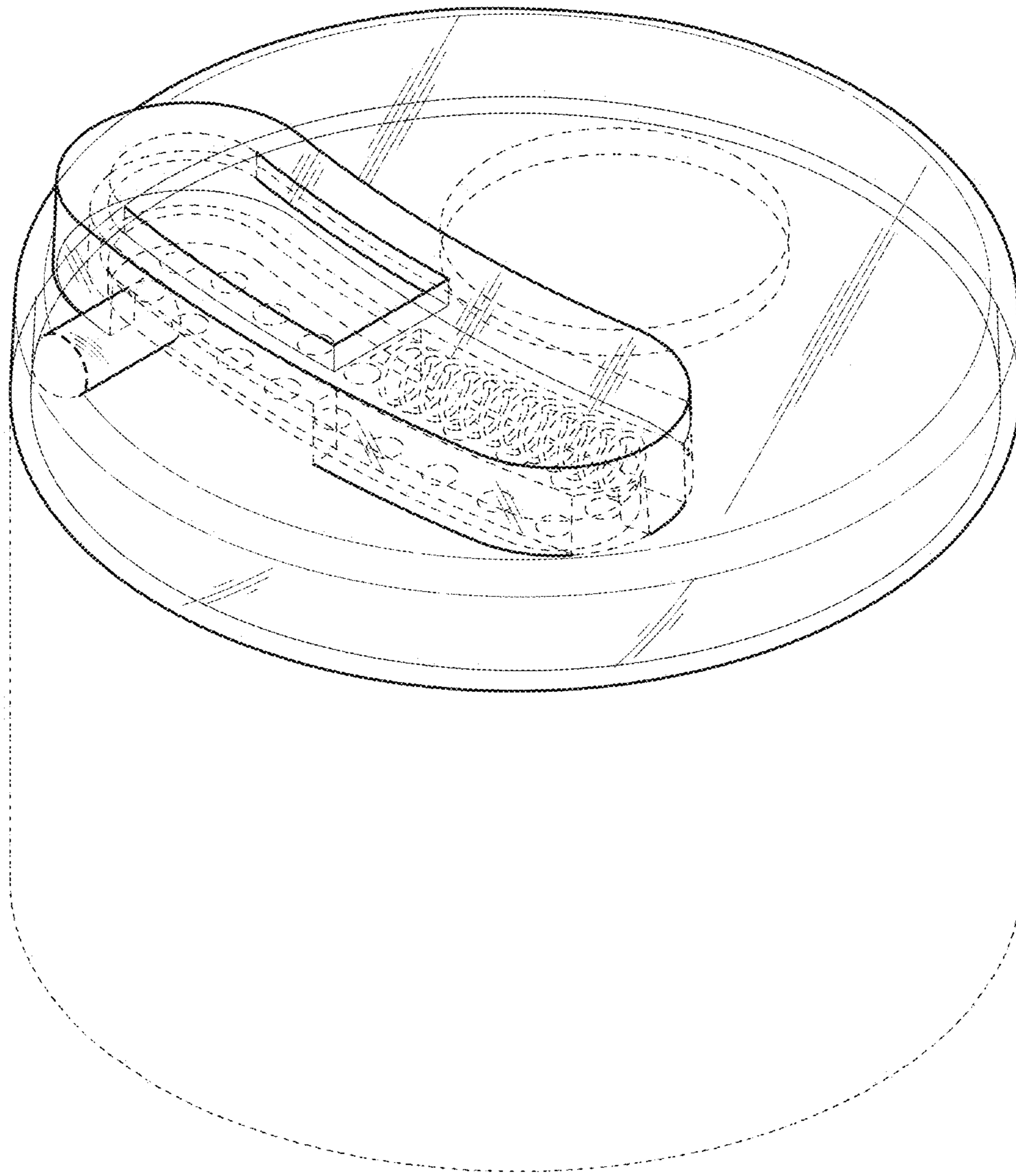


FIG. 8

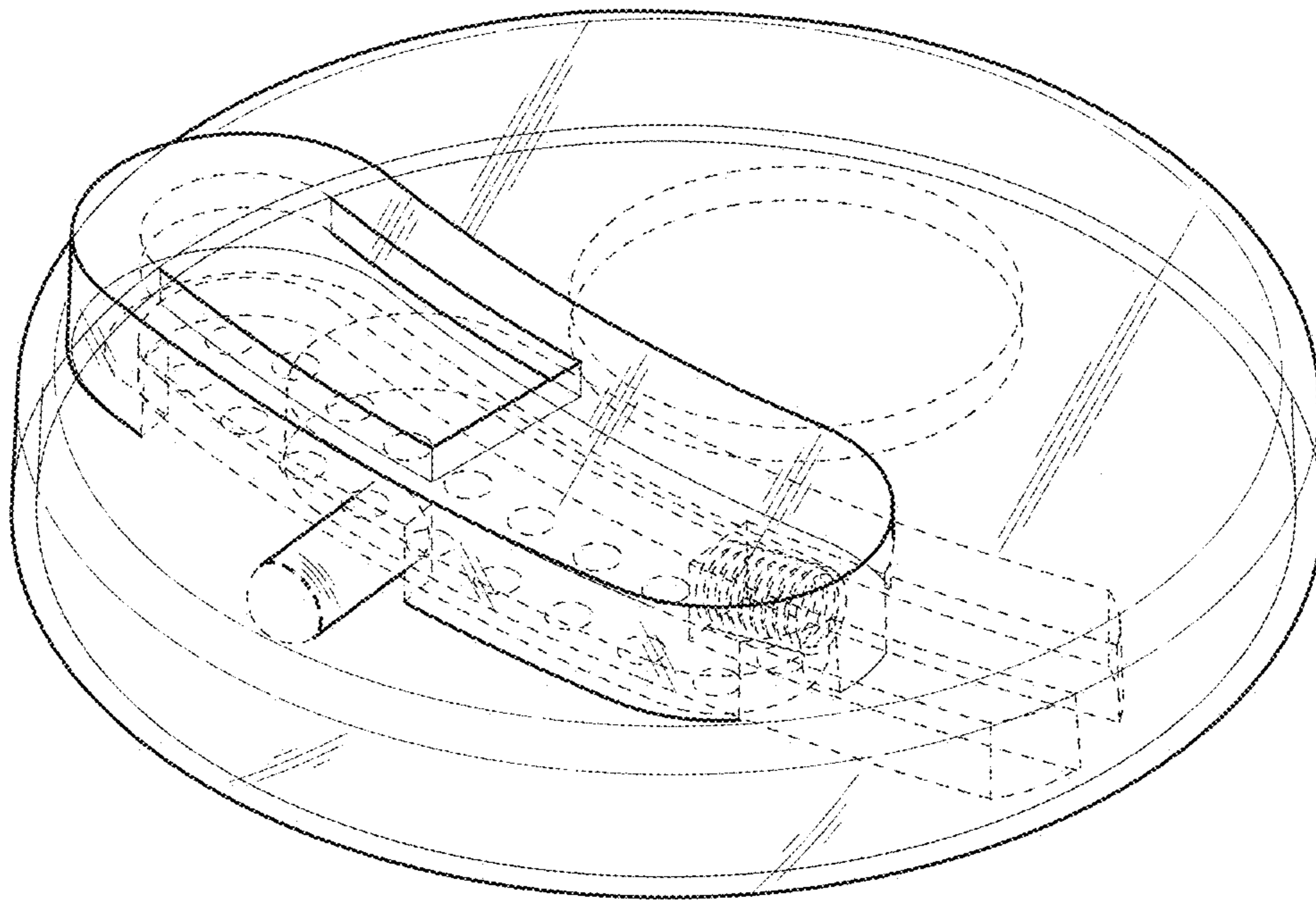


FIG. 9

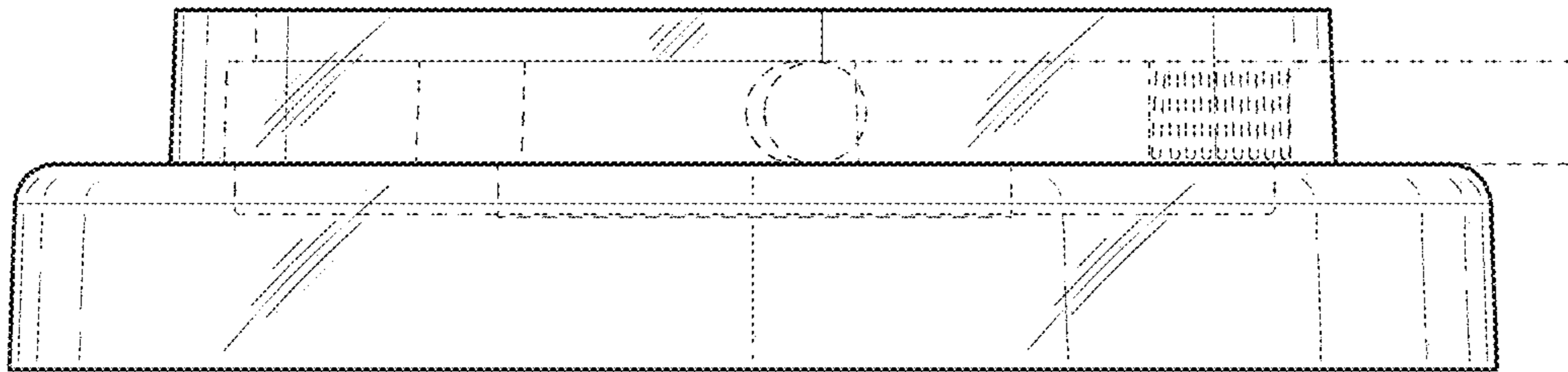


FIG. 10

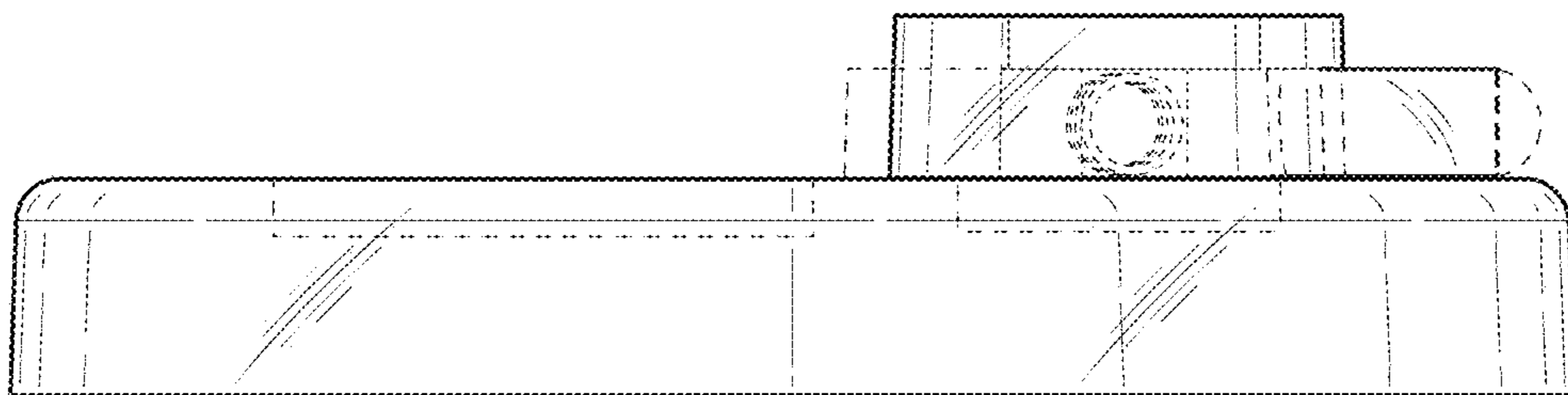


FIG. 11

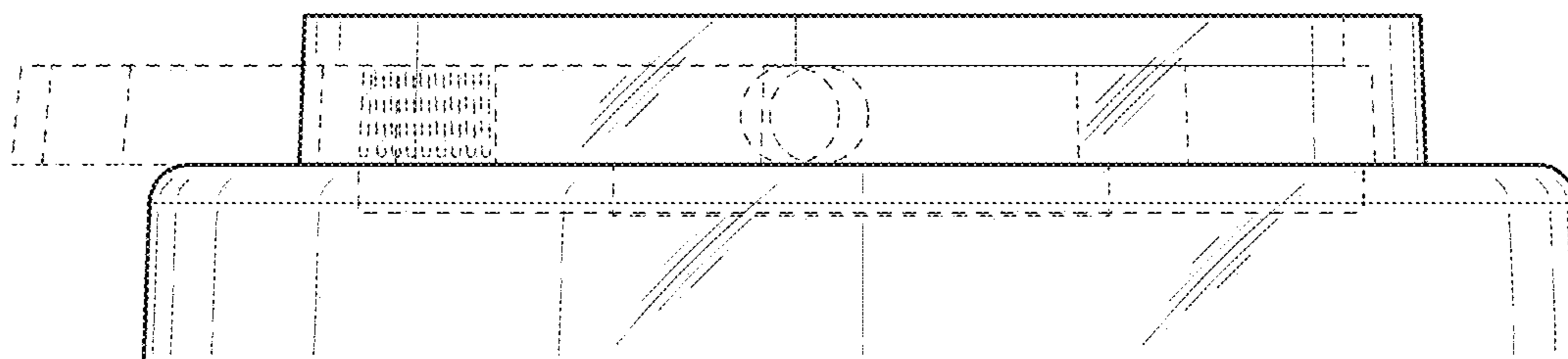


FIG. 12

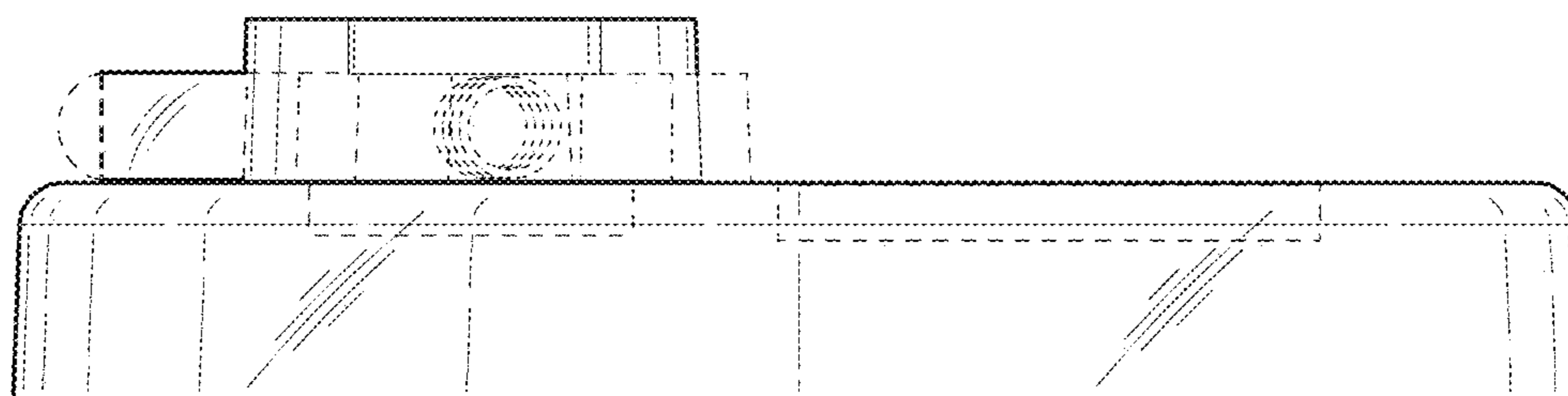


FIG. 13

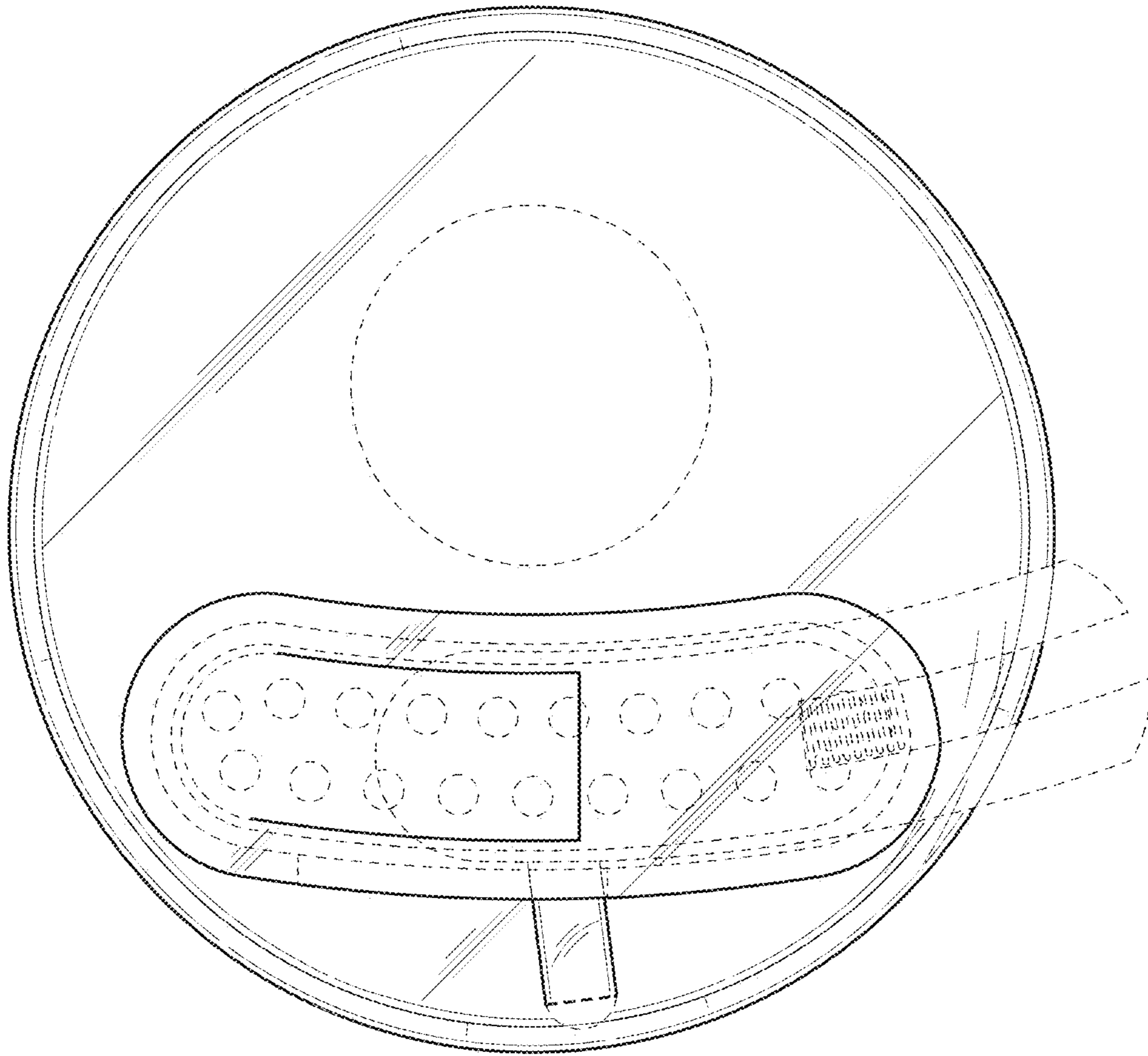


FIG. 14

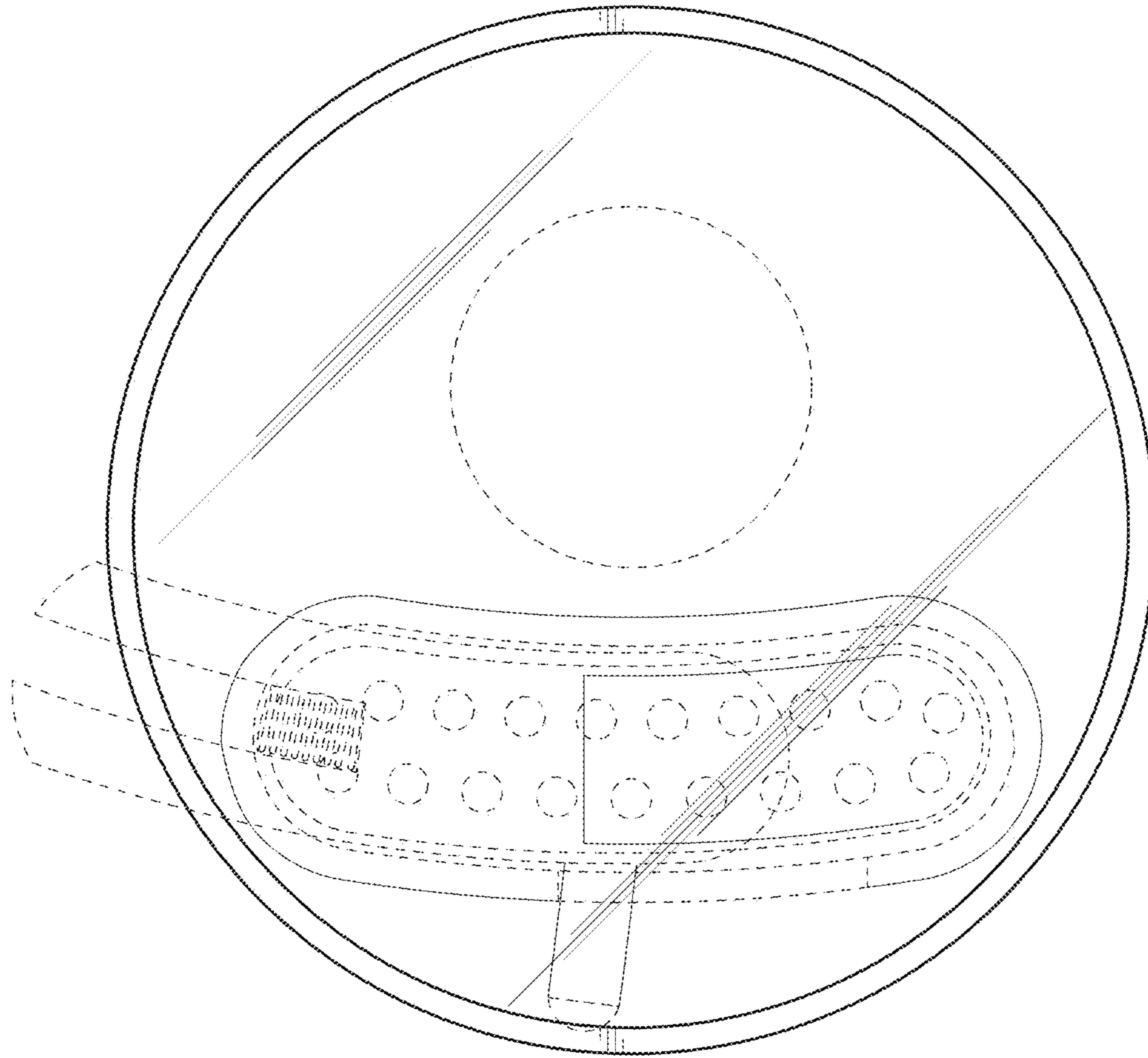


FIG. 15

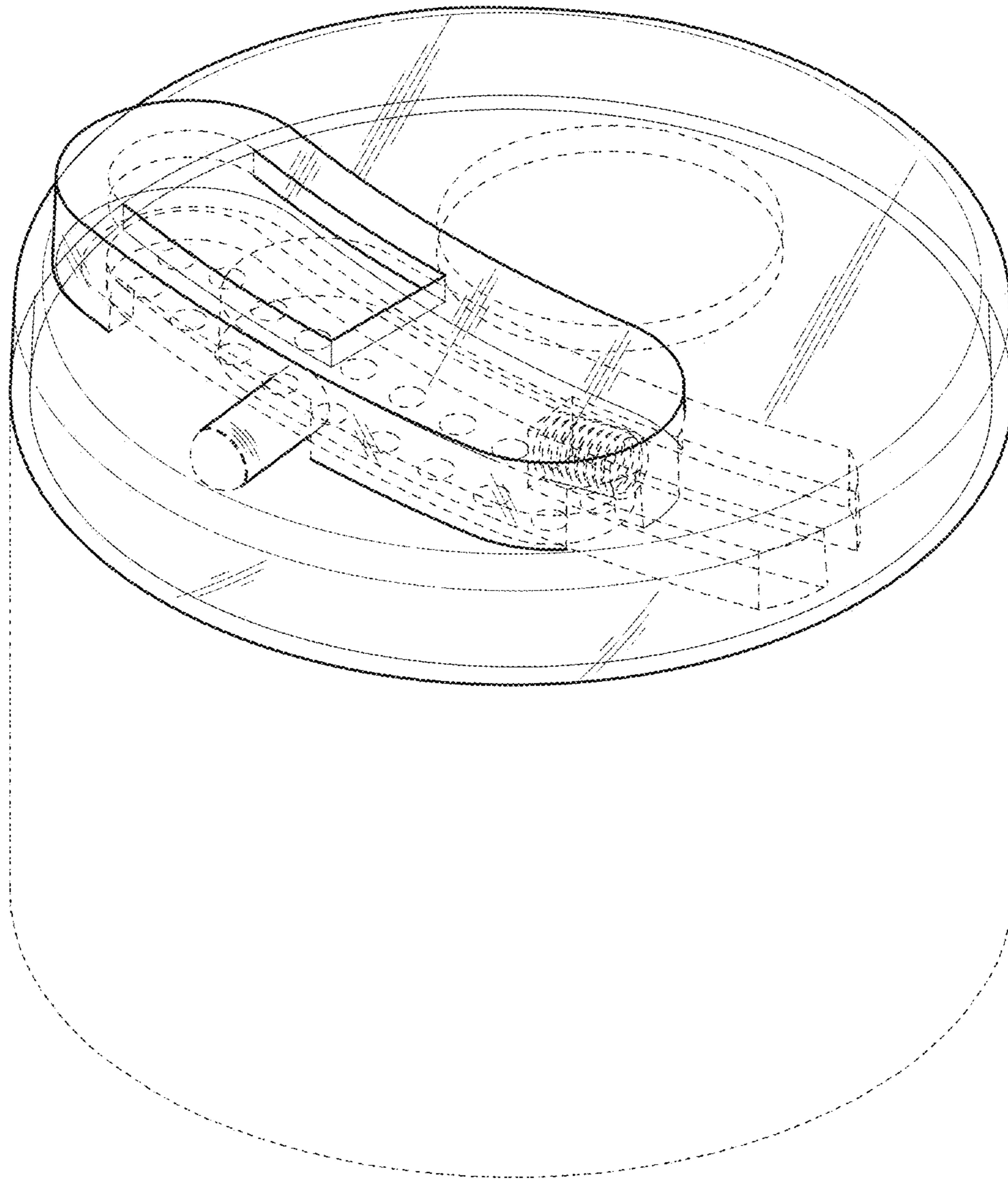


FIG. 16