



US00D930468S

(12) **United States Design Patent** (10) **Patent No.:** **US D930,468 S**
Chen (45) **Date of Patent:** **** Sep. 14, 2021**

(54) **FOOD CONTAINER**
(71) Applicant: **Ya-Chien Chen**, Taipei (TW)
(72) Inventor: **Ya-Chien Chen**, Taipei (TW)
(**) Term: **15 Years**
(21) Appl. No.: **29/657,593**
(22) Filed: **Jul. 24, 2018**
(51) **LOC (13) Cl.** **09-03**
(52) **U.S. Cl.**
USPC **D9/429**
(58) **Field of Classification Search**
USPC D7/400, 601, 608; D9/416, 417, 420,
D9/425-429, 430, 432, 761
CPC . B65D 1/26; B65D 1/40; B65D 5/243; B65D
81/3453; B65D 2581/34; B65D
2581/3404; B65D 2581/3456
See application file for complete search history.

7,055,712 B2 * 6/2006 Tang B65D 21/0219
220/366.1
D591,591 S * 5/2009 Moecks D9/428
D677,156 S * 3/2013 Wu D9/429
D680,861 S * 4/2013 Chen D9/429
D681,449 S * 5/2013 Snedden D9/429
D730,727 S * 6/2015 Chen D9/500
D743,253 S * 11/2015 Kui D9/429

* cited by examiner

Primary Examiner — Janice Patyk
(74) *Attorney, Agent, or Firm* — Rosenberg, Klein & Lee

(57) **CLAIM**

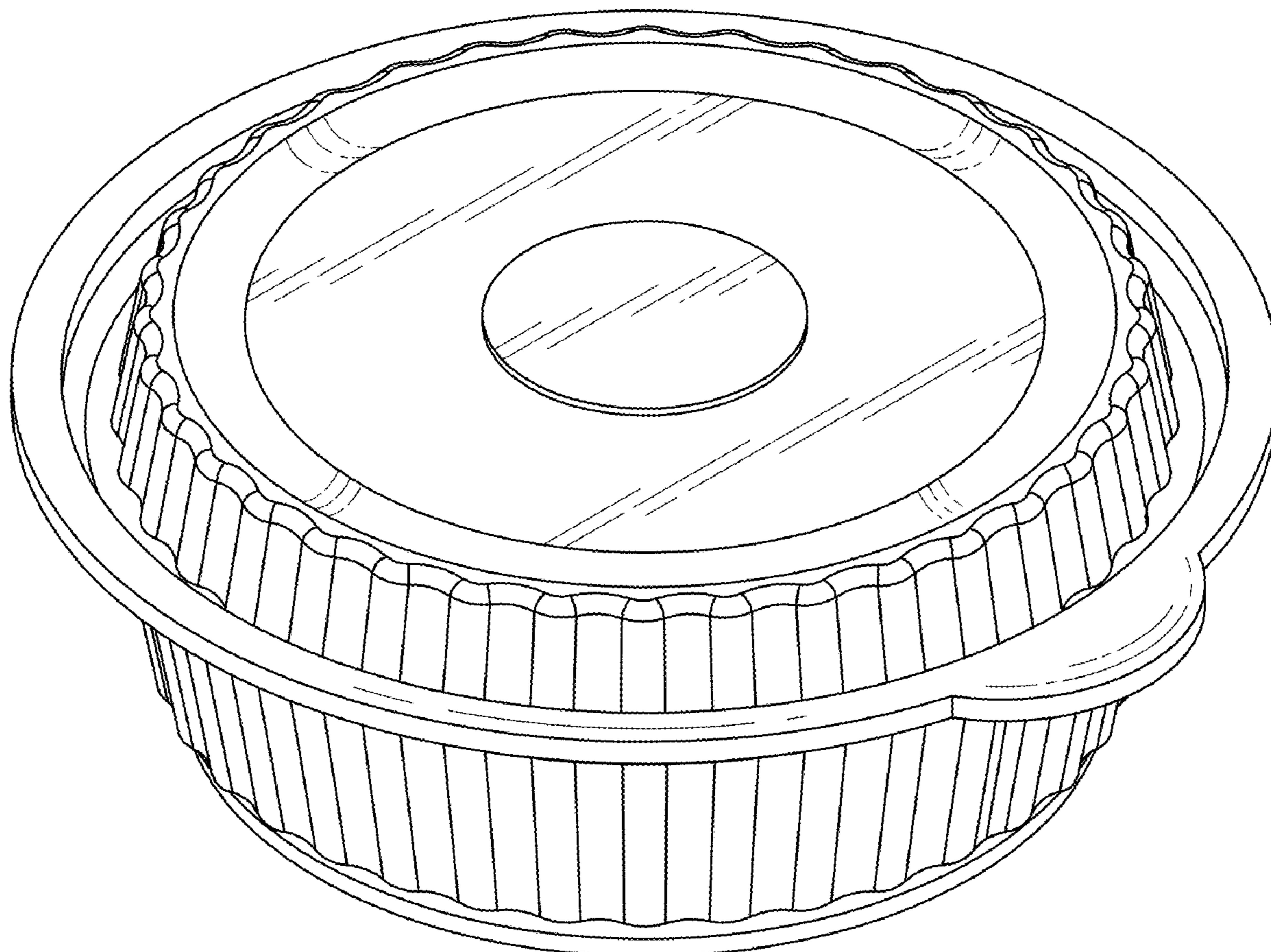
The ornamental design for a food container, as shown and described.

DESCRIPTION

FIG. 1 is a top perspective view of a food container, showing my new design;
FIG. 2 is a bottom perspective view thereof;
FIG. 3 is a front elevation view thereof;
FIG. 4 is a rear elevation view thereof;
FIG. 5 is a left side elevation view thereof, a right side elevation view being a mirror image;
FIG. 6 is a top plan view thereof; and,
FIG. 7 is a bottom plan view thereof.

1 Claim, 6 Drawing Sheets

(56) **References Cited**
U.S. PATENT DOCUMENTS
5,862,977 A * 1/1999 Hirano B65D 5/24
229/5.82
D415,420 S * 10/1999 Chen D7/629



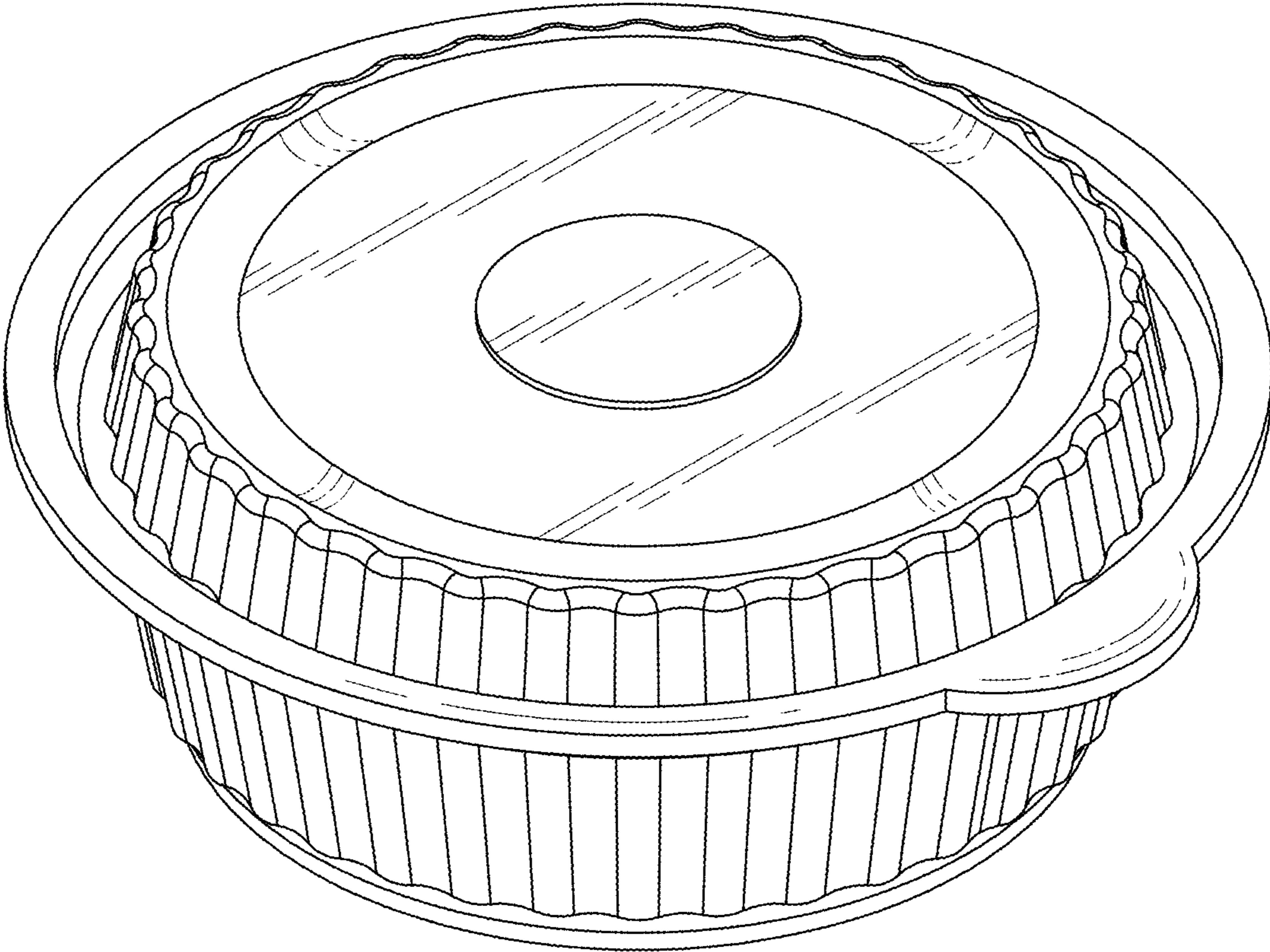


FIG.1

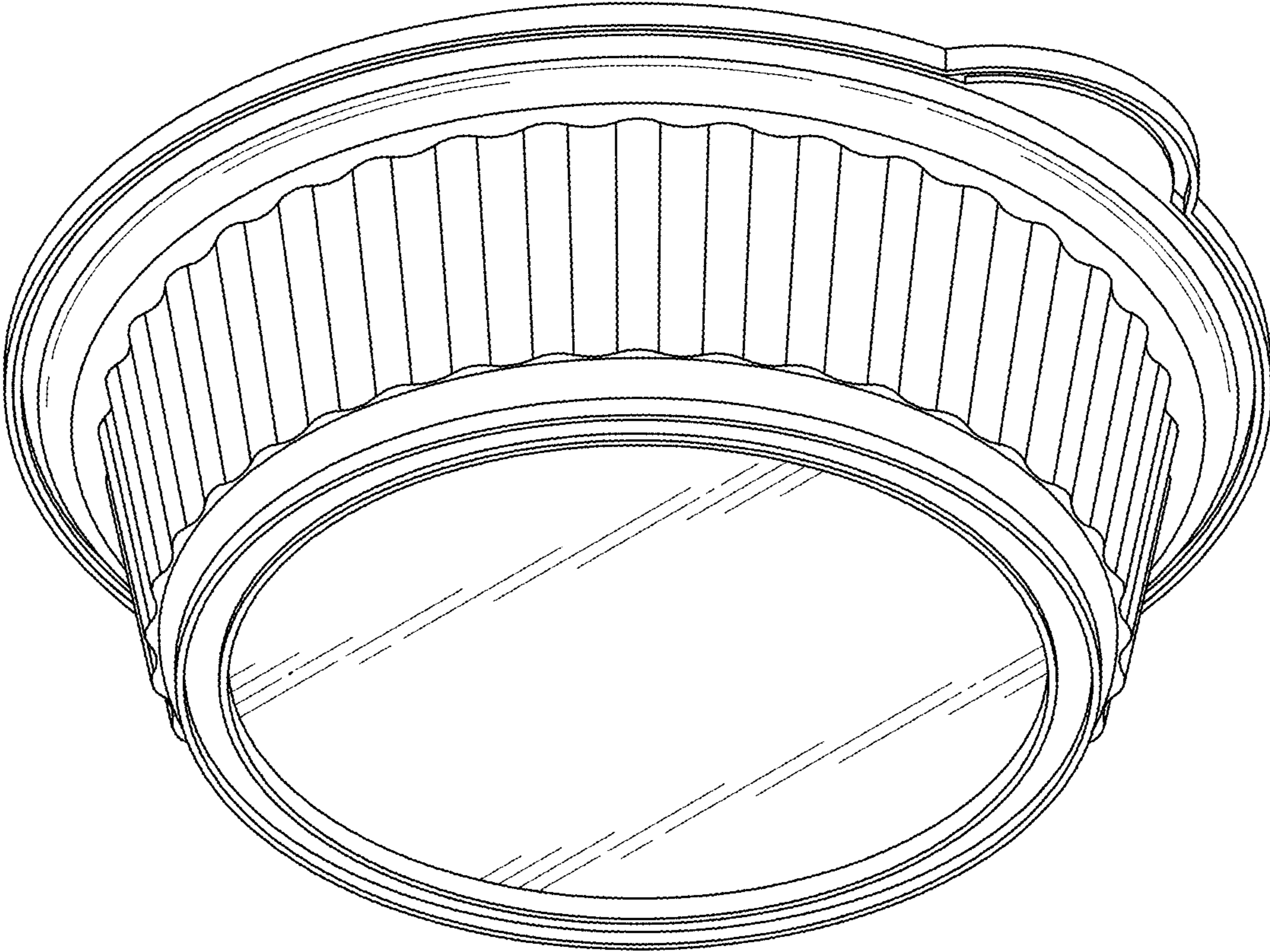


FIG.2

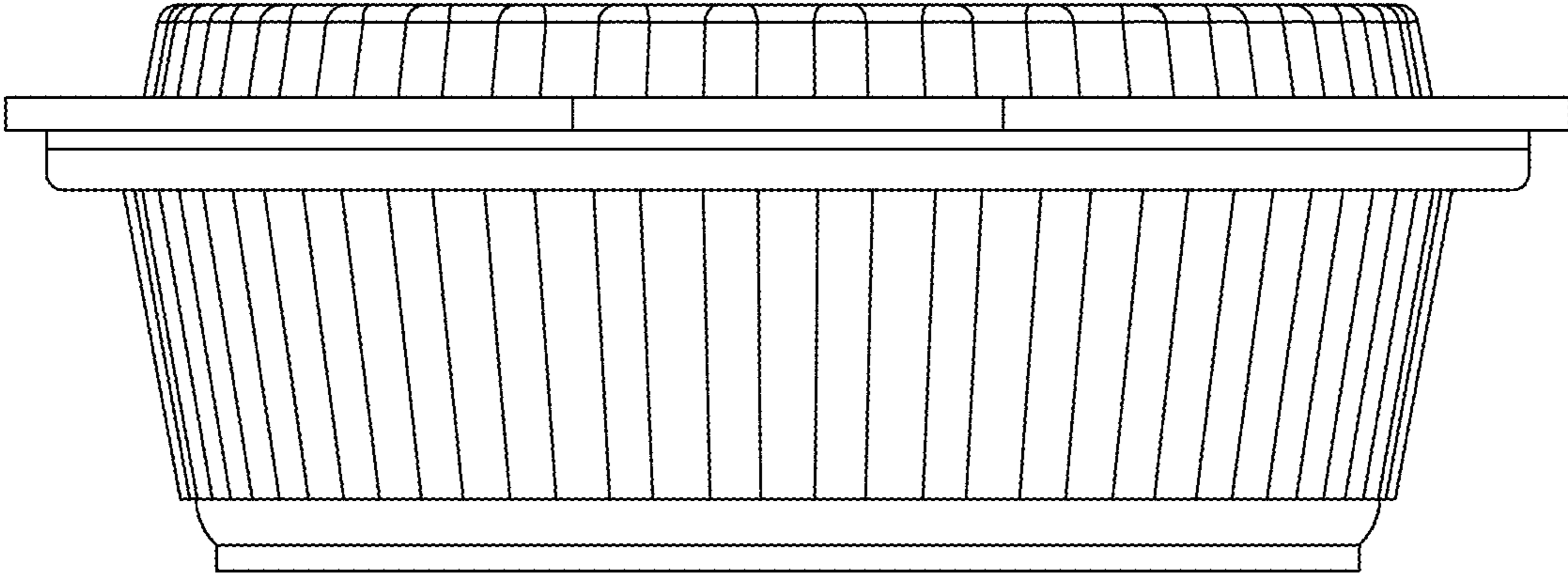


FIG.3

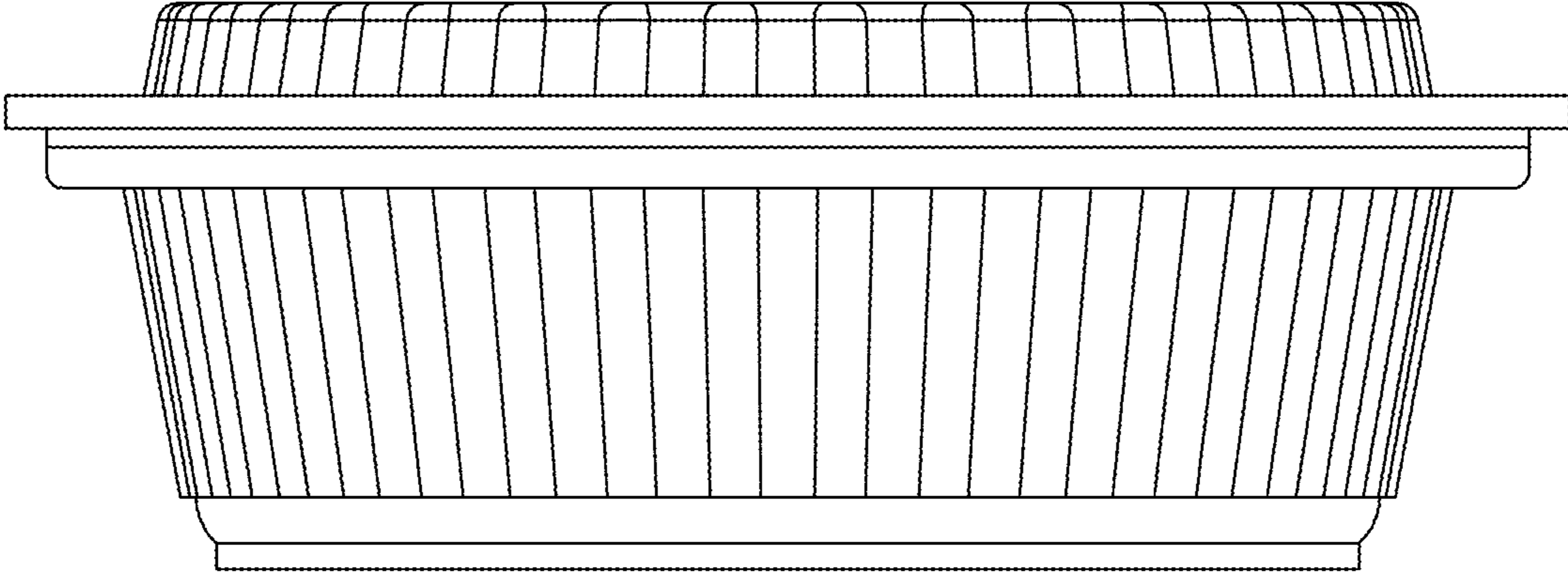


FIG.4

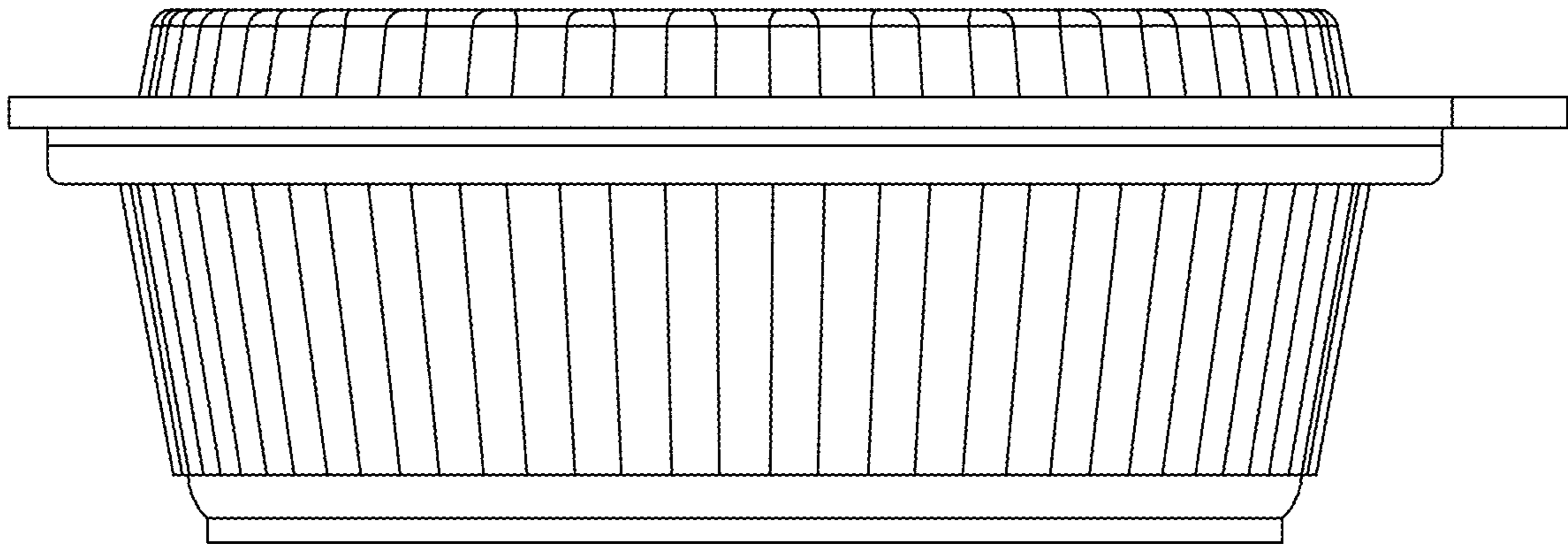


FIG.5

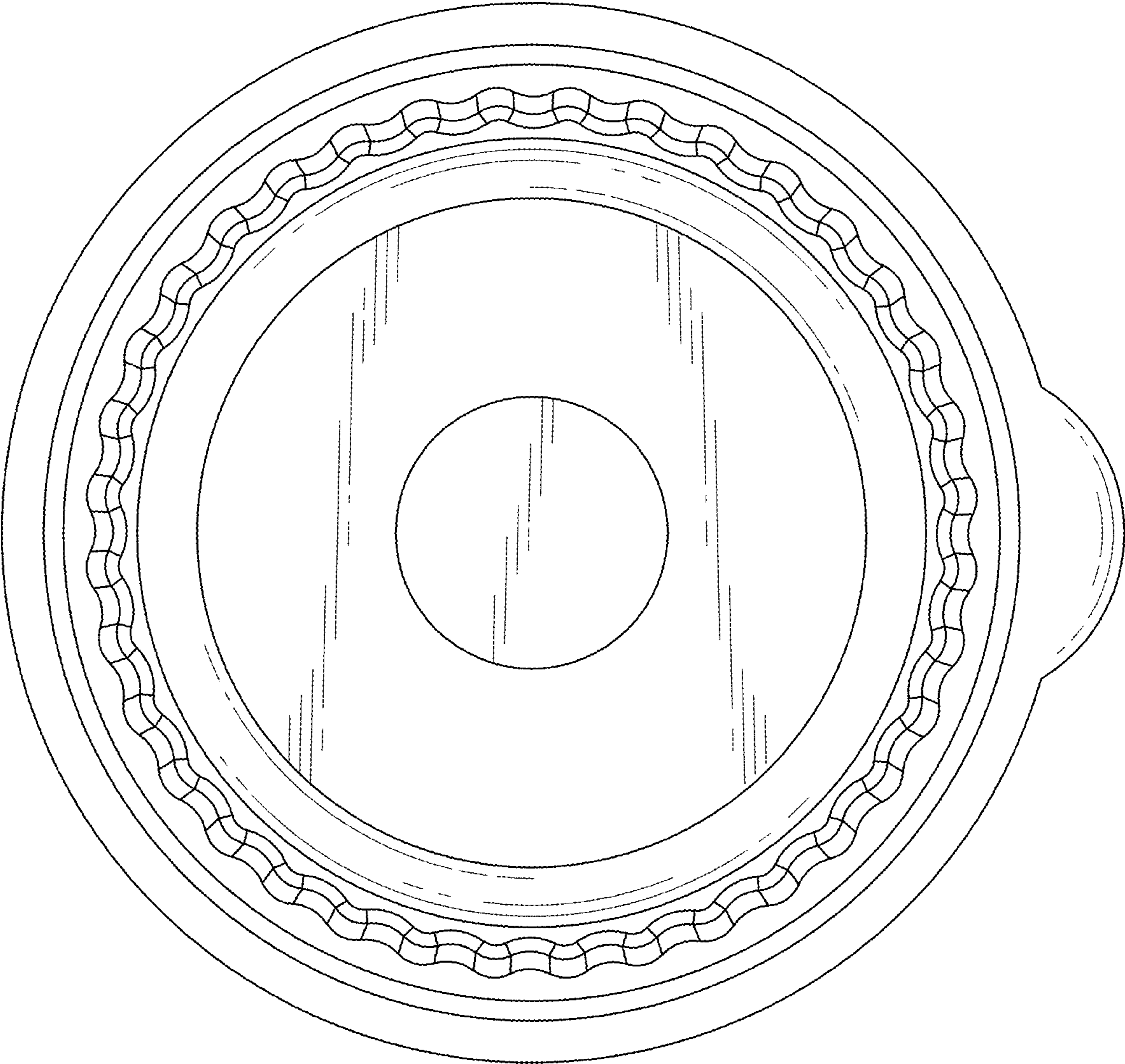


FIG.6

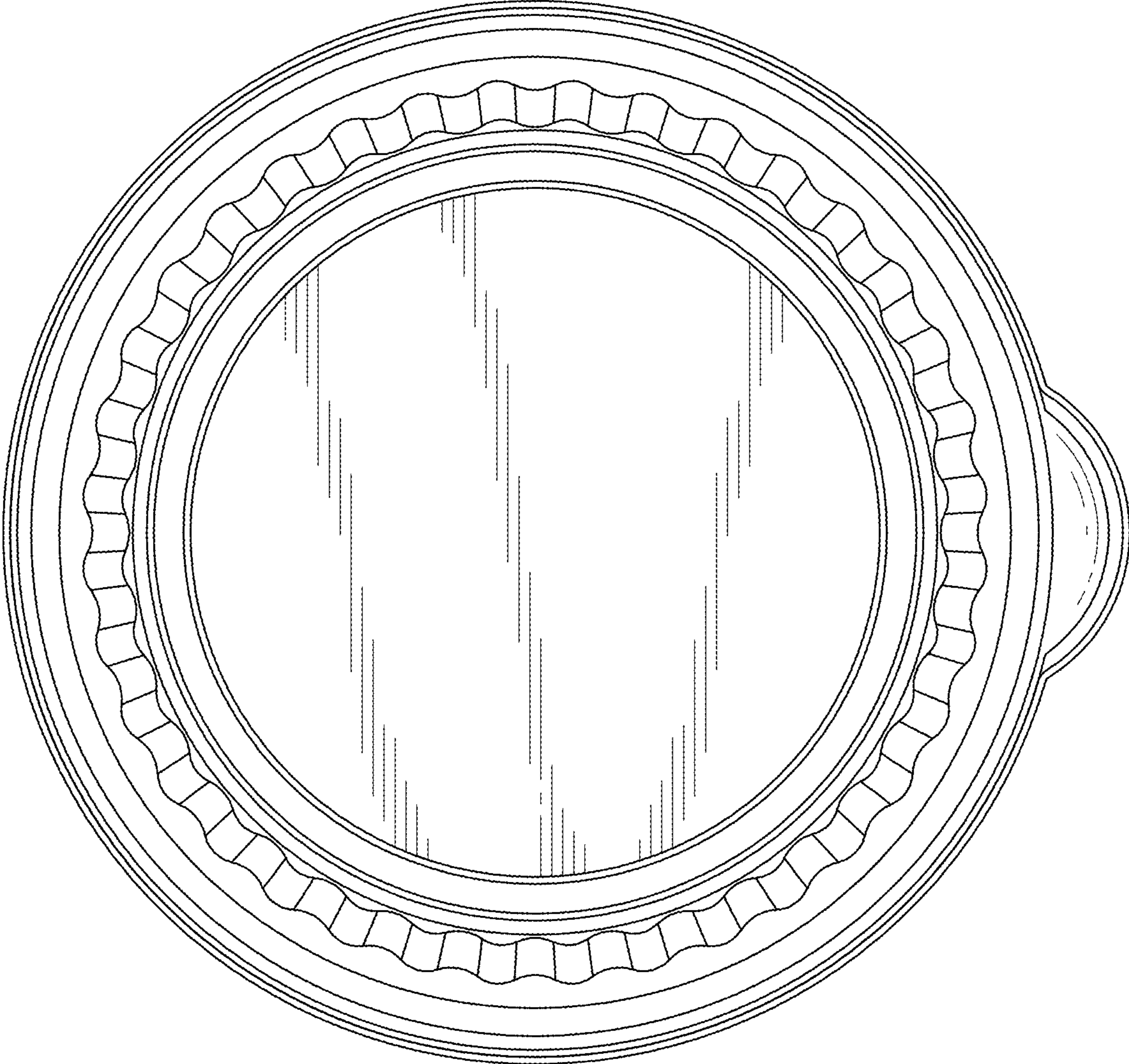


FIG. 7