



US00D930466S

(12) **United States Design Patent**  
**Yaguchi**

(10) **Patent No.:** **US D930,466 S**

(45) **Date of Patent:** **\*\* Sep. 14, 2021**

(54) **CREASE MAKING TOOL**

(71) Applicant: **Taro Yaguchi**, Tokyo (JP)

(72) Inventor: **Taro Yaguchi**, Tokyo (JP)

(\*\*) Term: **15 Years**

(21) Appl. No.: **29/704,800**

(22) Filed: **Sep. 6, 2019**

(30) **Foreign Application Priority Data**

Mar. 6, 2019 (JP) ..... 2019-004655

(51) **LOC (13) Cl.** ..... **08-99**

(52) **U.S. Cl.**  
USPC ..... **D8/499**; D11/142

(58) **Field of Classification Search**  
USPC ..... D8/98, 499; D19/108, 37, 40, 101, 156,  
D19/157; D21/478, 548; D11/142  
CPC ..... E04F 21/00; B65H 45/12  
See application file for complete search history.

(56) **References Cited**

**U.S. PATENT DOCUMENTS**

- 2,712,933 A \* 7/1955 Davidson ..... E04F 21/00  
493/406
- D178,945 S \* 10/1956 Arnold ..... D11/142
- 5,336,155 A \* 8/1994 Studebaker ..... B65H 45/12  
493/356
- 5,556,366 A \* 9/1996 Studebaker ..... B65H 45/12  
493/405
- D547,395 S \* 7/2007 Yaguchi ..... D21/540

- D547,396 S \* 7/2007 Yaguchi ..... D21/552
- D579,988 S \* 11/2008 Yaguchi ..... D11/142
- D580,996 S \* 11/2008 Yaguchi ..... D11/142
- D592,256 S \* 5/2009 Yaguchi ..... D11/142
- 8,545,286 B2 \* 10/2013 Coleman ..... B31D 5/04  
446/488
- D729,873 S \* 5/2015 Breuker ..... D19/37
- 9,643,812 B2 \* 5/2017 Orndorff ..... B31D 5/04
- D881,274 S \* 4/2020 Bennett ..... D19/108
- D916,962 S \* 4/2021 Crystal ..... D19/37

\* cited by examiner

*Primary Examiner* — Keli L Hill

*Assistant Examiner* — Harold E Blackwell, II

(74) *Attorney, Agent, or Firm* — Taro Yaguchi

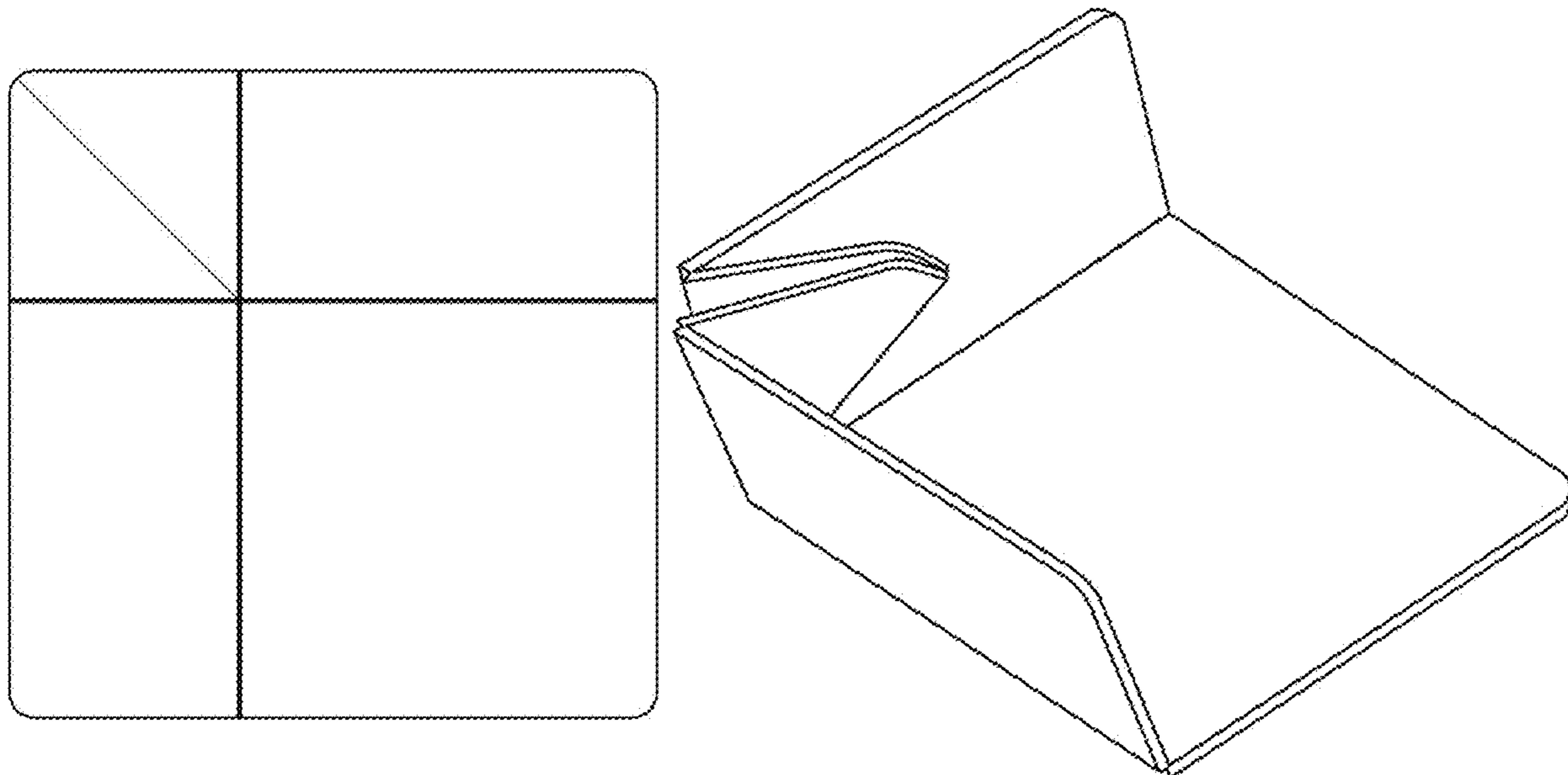
(57) **CLAIM**

The ornamental design for a crease making tool, as shown and described.

**DESCRIPTION**

FIG. 1 is a front view of a crease making tool, showing our new design;  
FIG. 2 is a back side view thereof;  
FIG. 3 is a right side view thereof;  
FIG. 4 is a left side view thereof;  
FIG. 5 is a top plan view thereof;  
FIG. 6 is a bottom plan view thereof; and,  
FIG. 7 is a reference view thereof; showing a usage state of the crease making tool.

**1 Claim, 4 Drawing Sheets**



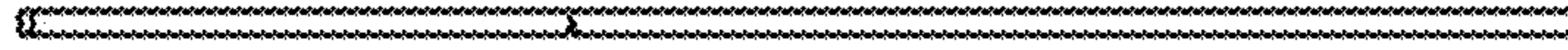


FIG. 1



FIG. 2

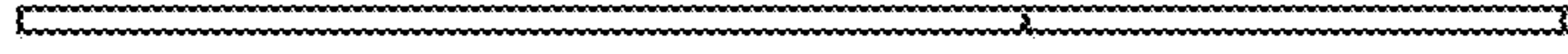


FIG. 3



FIG. 4

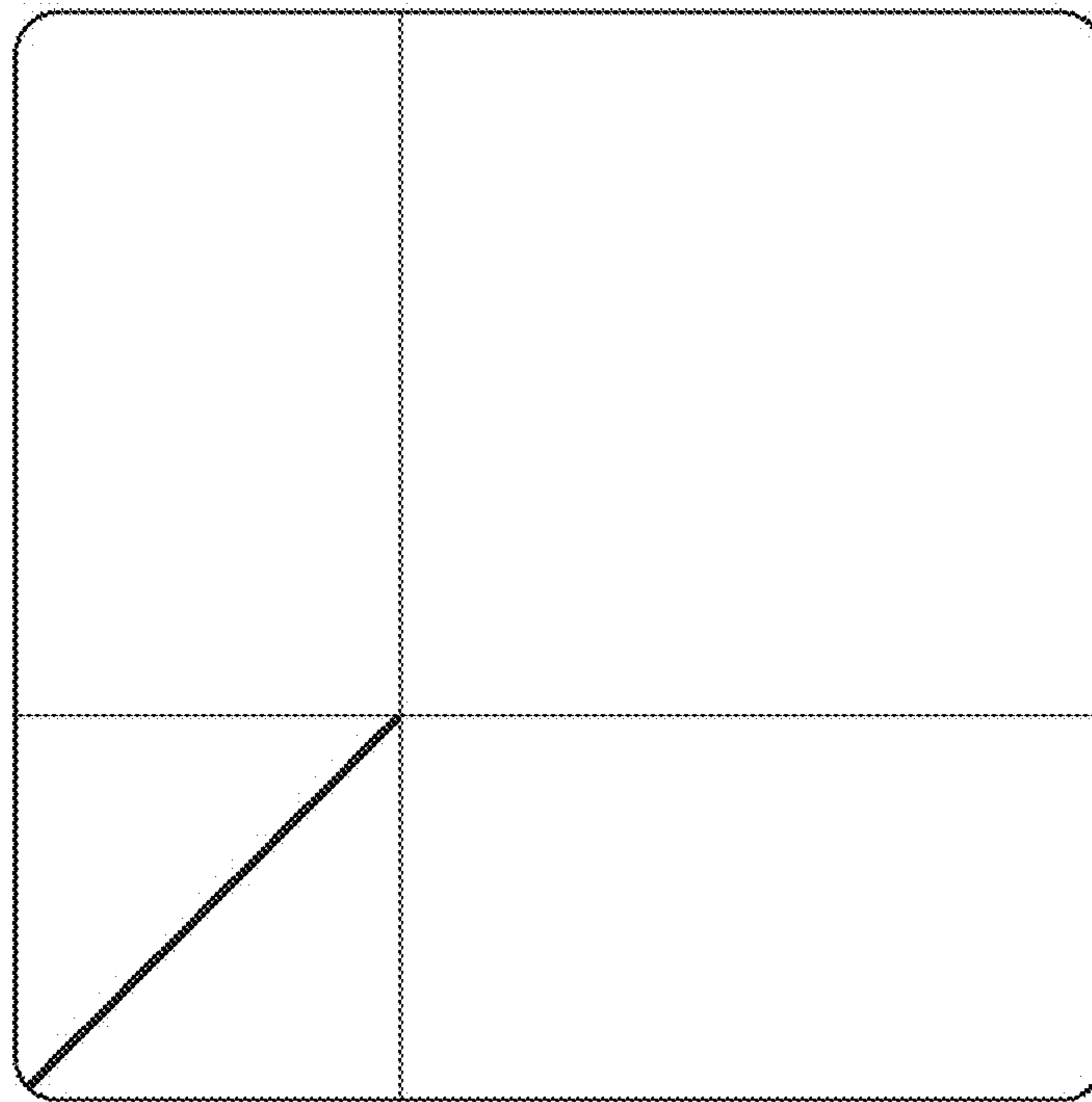


FIG. 5

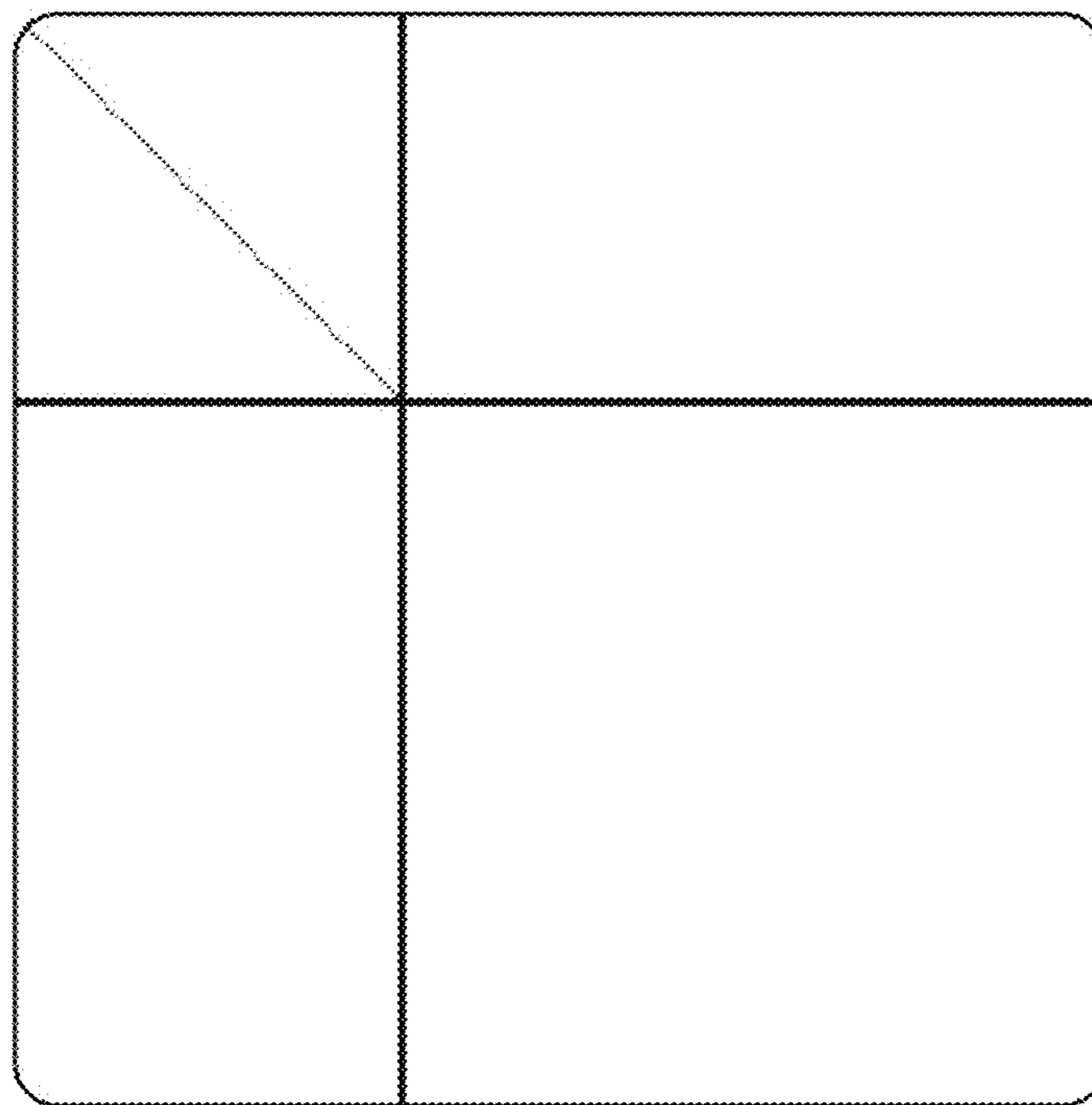


FIG. 6

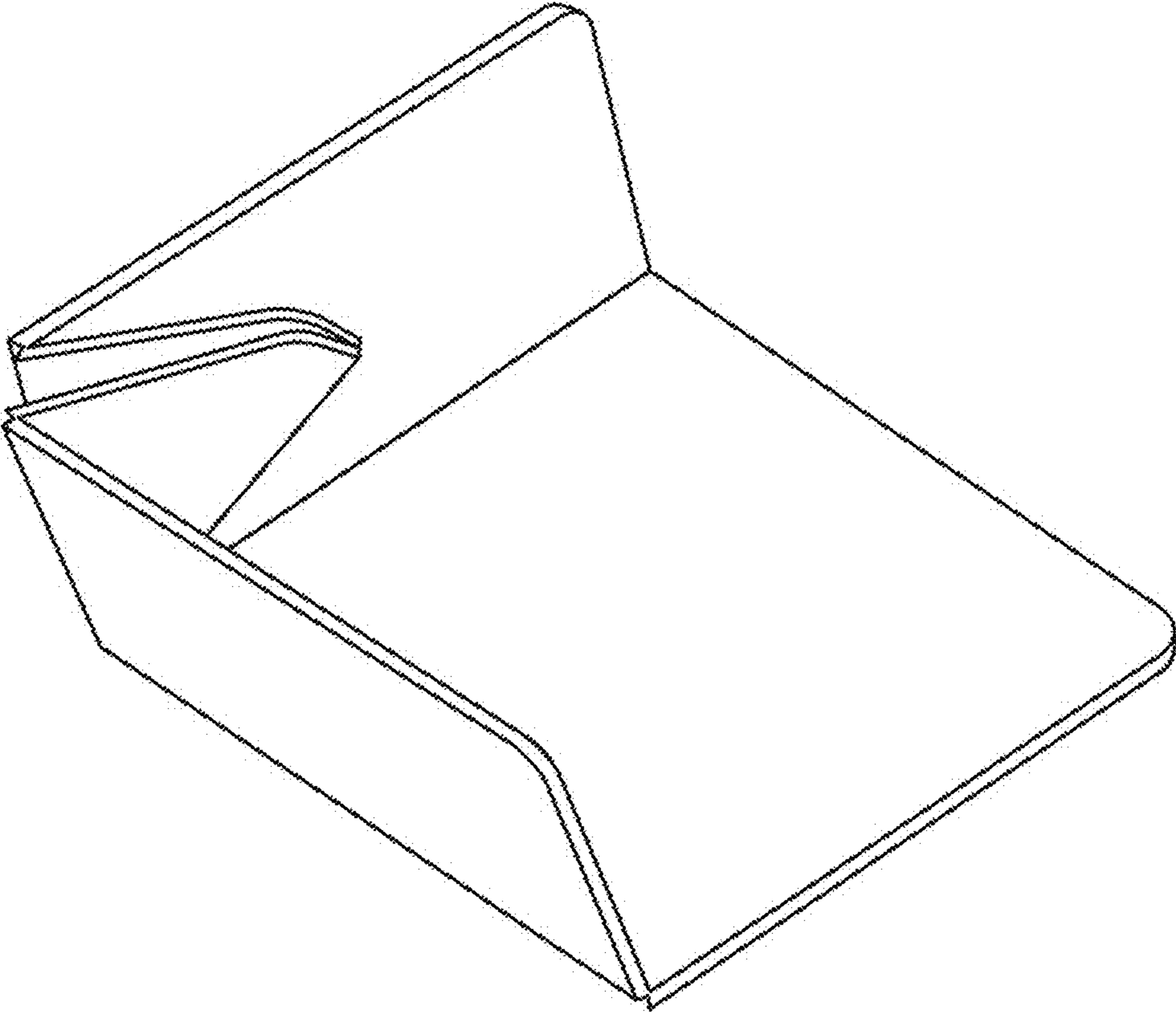


FIG. 7