



US00D930464S

(12) **United States Design Patent** (10) **Patent No.:** **US D930,464 S**
Ordener (45) **Date of Patent:** **** Sep. 14, 2021**

(54) **COUPLING** 5,876,084 A * 3/1999 Smith B60R 13/0206
24/297
(71) Applicant: **OPTIMAS OE SOLUTIONS, LLC,** D420,483 S * 2/2000 Abbestam D34/29
Glenview, IL (US) D421,897 S * 3/2000 Washecheck D8/395
6,076,995 A 6/2000 Tauchi et al.
(72) Inventor: **Sandrine Ordener,** Sarregurmines (FR) D427,895 S * 7/2000 Morton D8/382
6,379,077 B1 4/2002 Camber et al.
6,616,377 B1 * 9/2003 Smith E21D 11/083
405/135
(73) Assignee: **OPTIMAS OE SOLUTIONS LLC,** 6,953,300 B2 10/2005 Chen
Glenview, IL (US) D563,769 S * 3/2008 Short D8/354
D569,071 S * 5/2008 Scott D34/35
(**) Term: **15 Years** (Continued)

(21) Appl. No.: **29/695,071**

(22) Filed: **Jun. 14, 2019**

(51) **LOC (13) Cl.** **08-08**

(52) **U.S. Cl.**
USPC **D8/382**

(58) **Field of Classification Search**
USPC D8/349, 354, 356, 382, 383, 499
CPC E04B 1/4114; E04B 1/043; E04B 2103/02;
E21D 11/05; E21D 11/08; E21D 11/083;
F16B 5/0024; F16B 13/126; Y10T
137/9029; B28B 23/005
See application file for complete search history.

(56) **References Cited**

U.S. PATENT DOCUMENTS

D25,868 S * 8/1896 Noyes D8/354
3,680,277 A * 8/1972 Martin F16B 5/0052
52/438
D253,392 S * 11/1979 Baltare D8/354
D264,682 S * 6/1982 Van Doren D8/354
4,515,501 A * 5/1985 Thomas E21D 11/08
405/151
4,830,536 A 5/1989 Birch et al.
D315,673 S * 3/1991 Paul D8/382
5,035,538 A * 7/1991 Mitchell E21D 11/05
405/151
D351,123 S * 10/1994 Graham D12/51
D401,211 S * 11/1998 Simpson D12/223

FOREIGN PATENT DOCUMENTS

FR 2400650 A1 3/1979
GB 2333140 A 7/1999
(Continued)

Primary Examiner — Sandra Snapp
Assistant Examiner — Ieisha N Price
(74) *Attorney, Agent, or Firm* — Marshall, Gerstein &
Borun LLP

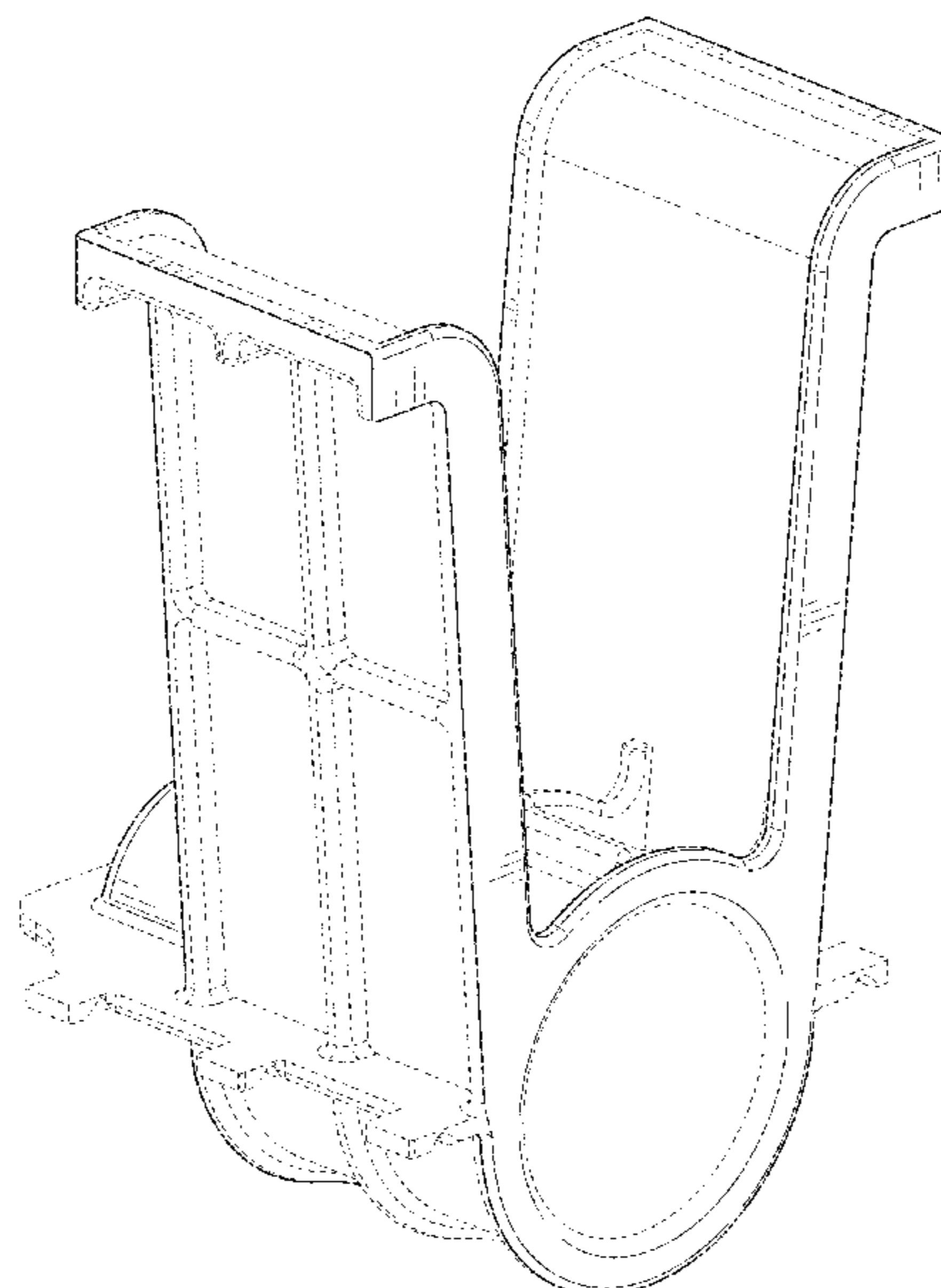
(57) **CLAIM**

The ornamental design for a coupling, as shown and described.

DESCRIPTION

FIG. 1 is a front perspective view of a coupling;
FIG. 2 is a rear perspective view of the coupling of FIG. 1;
FIG. 3 is front view of the coupling of FIG. 1;
FIG. 4 is rear view of the coupling of FIG. 1;
FIG. 5 is a left-side view of the coupling of FIG. 1;
FIG. 6 is a right-side view of the coupling of FIG. 1;
FIG. 7 is a top view of the coupling of FIG. 1; and,
FIG. 8 is a bottom view of the coupling of FIG. 1.
The broken lines in the drawings illustrate portions of the coupling and form no part of the claimed design.

1 Claim, 8 Drawing Sheets



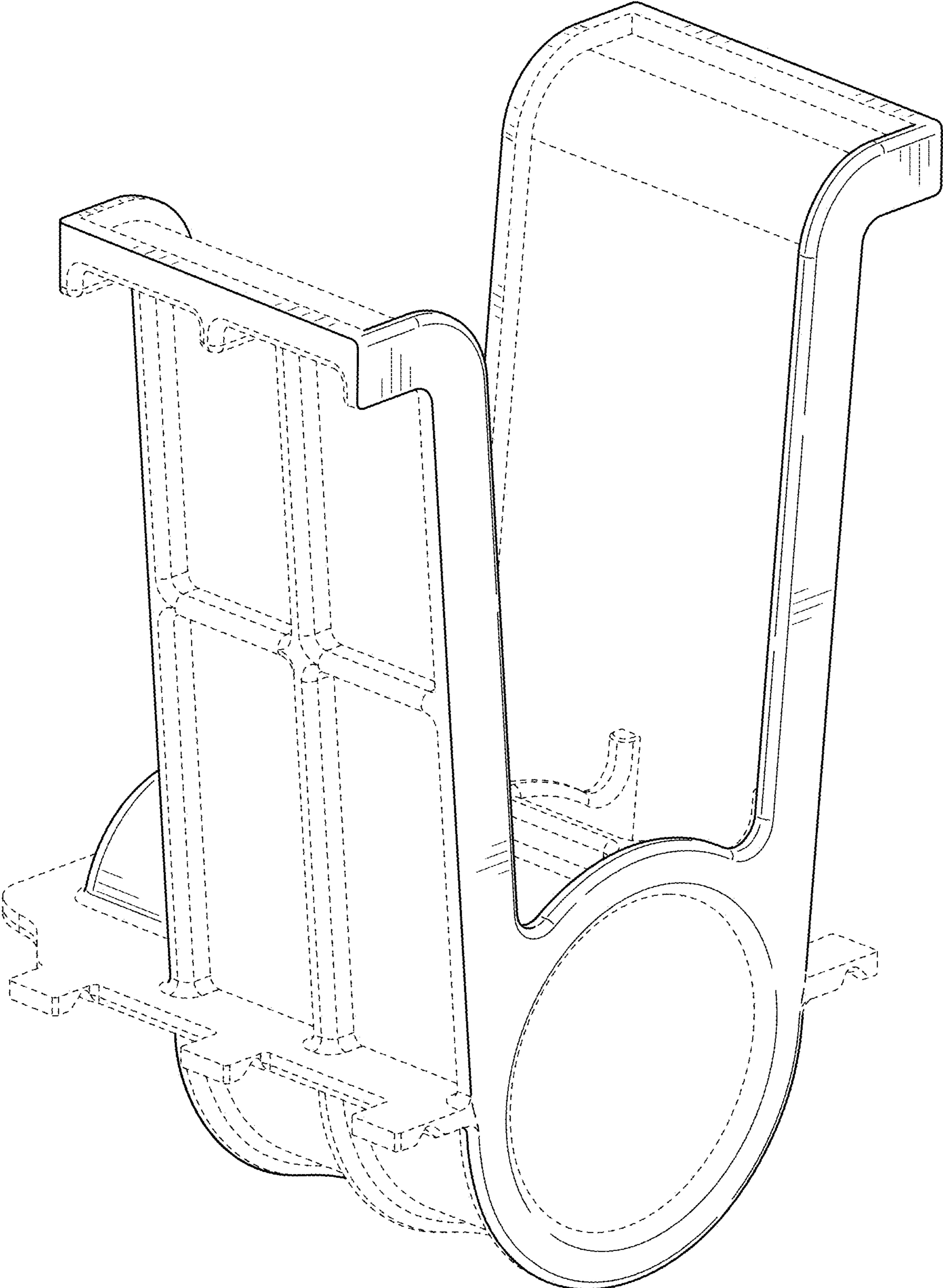


FIG. 1

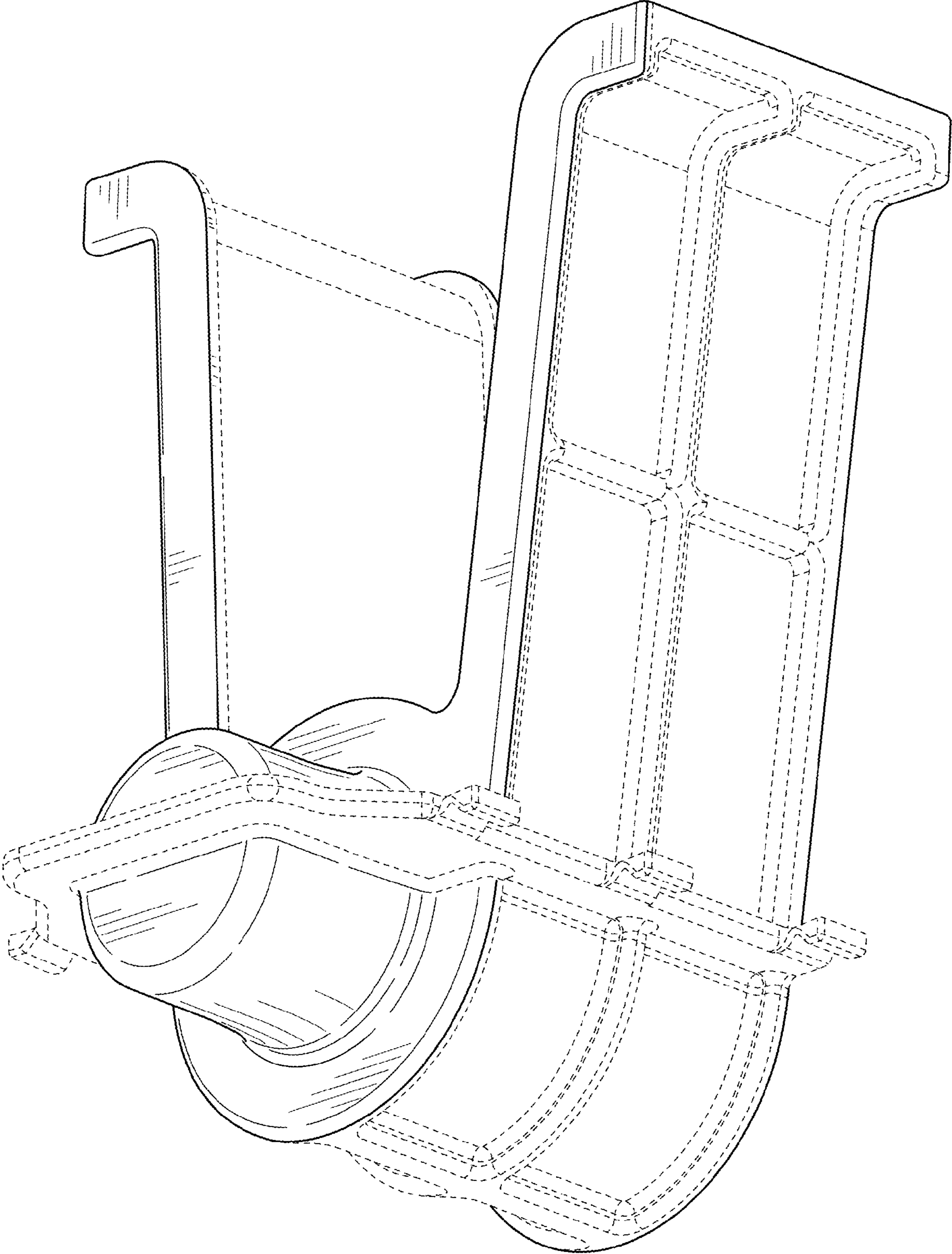


FIG. 2

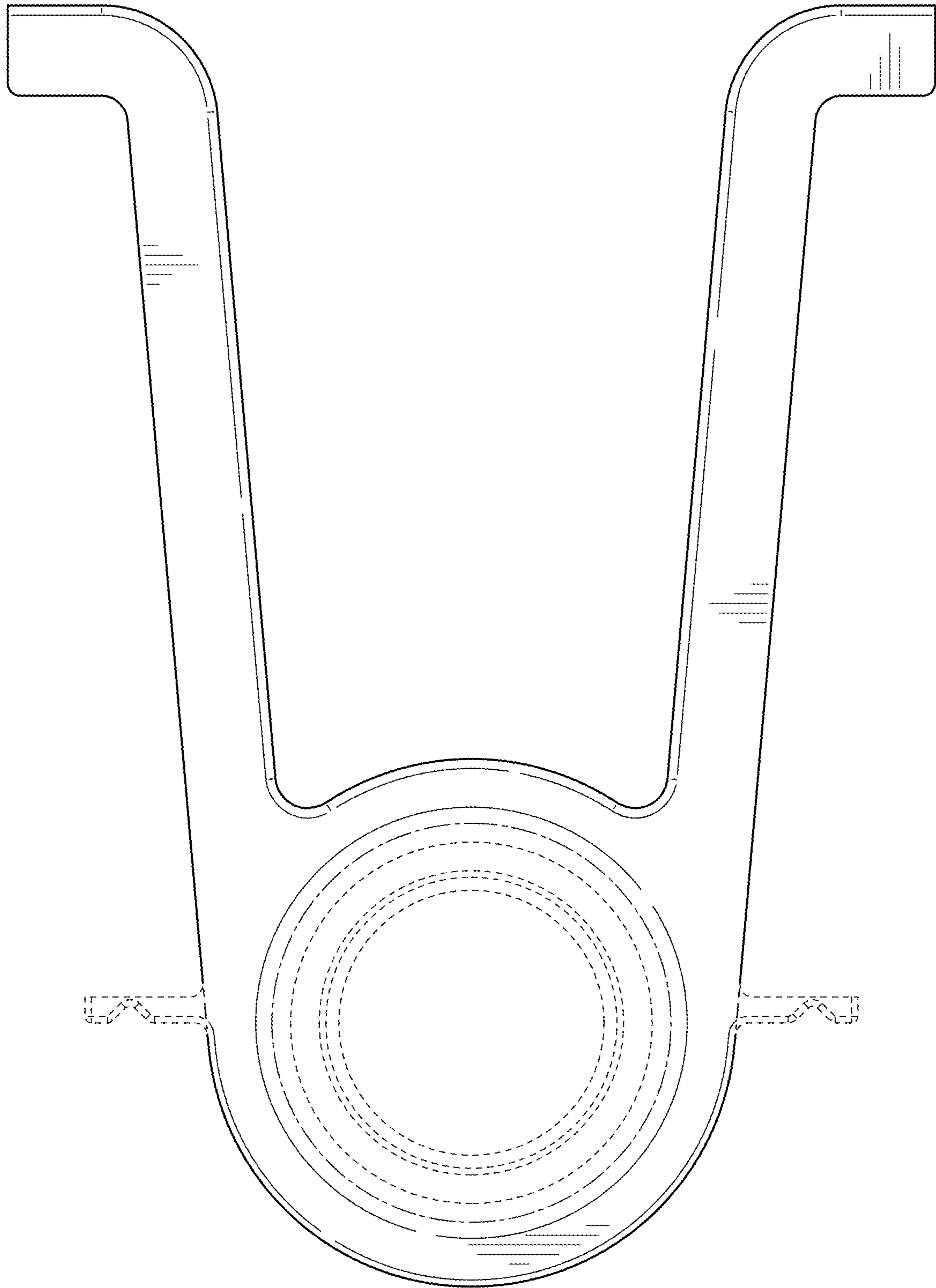


FIG. 3

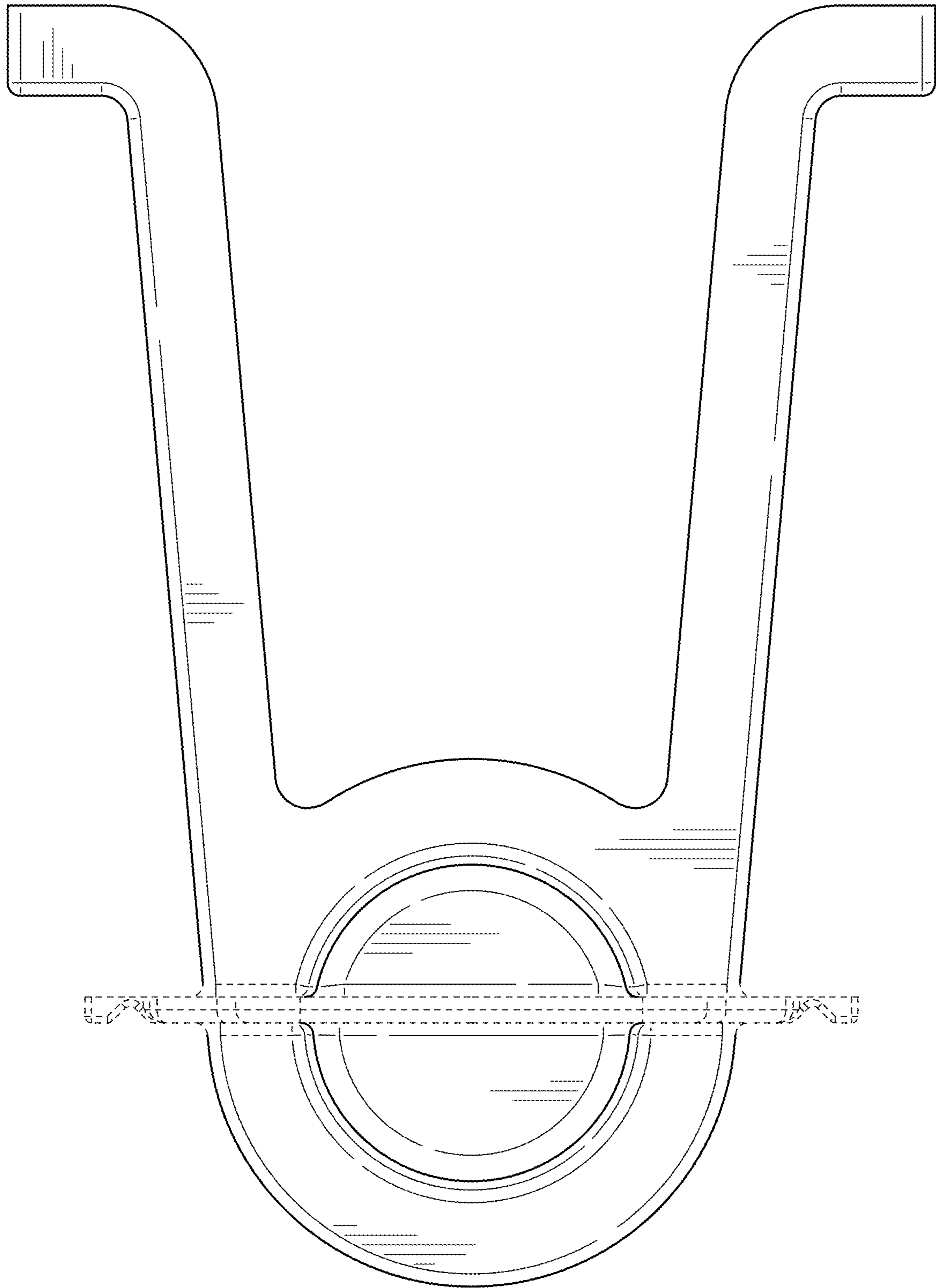


FIG. 4

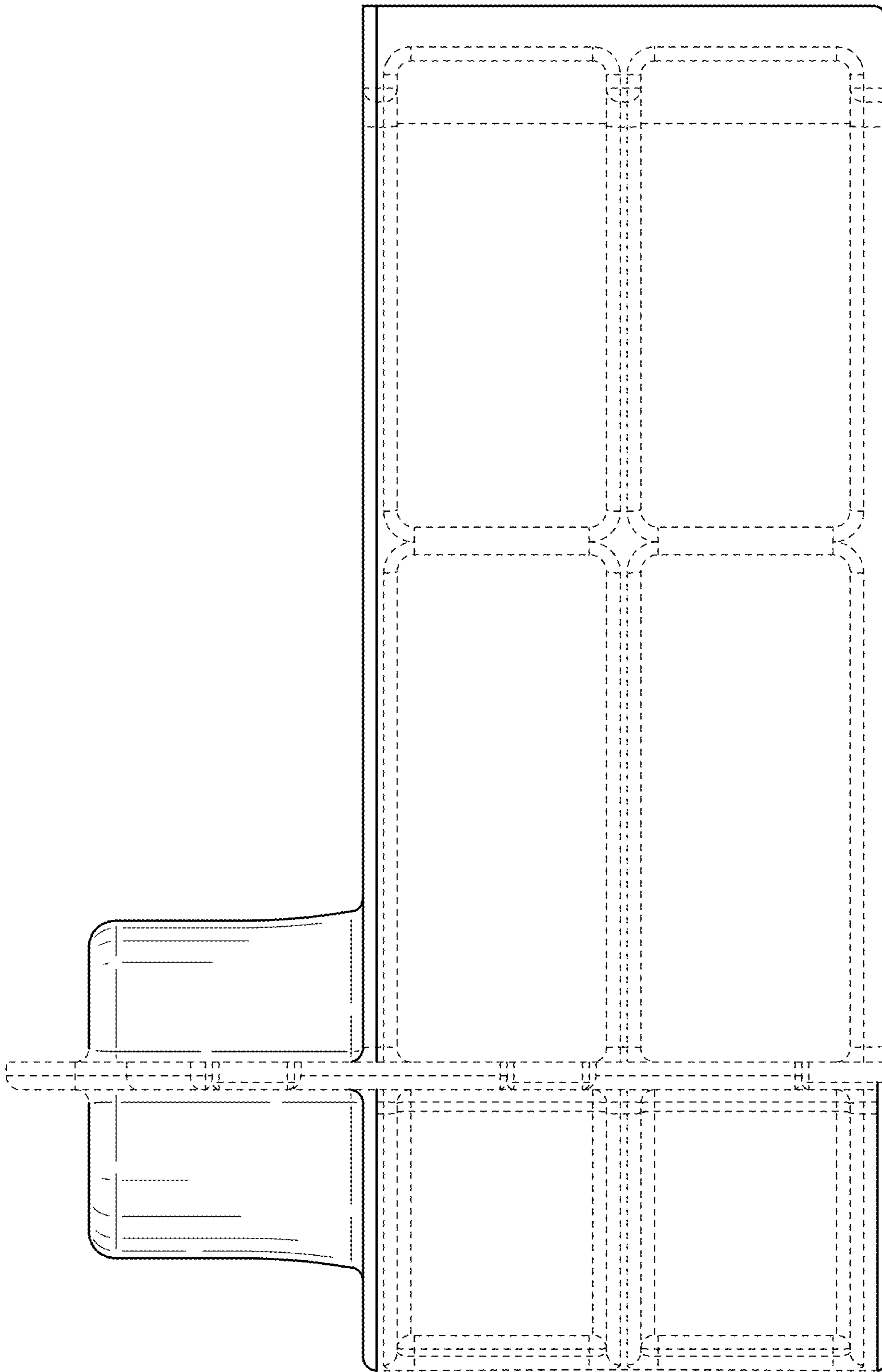


FIG. 5

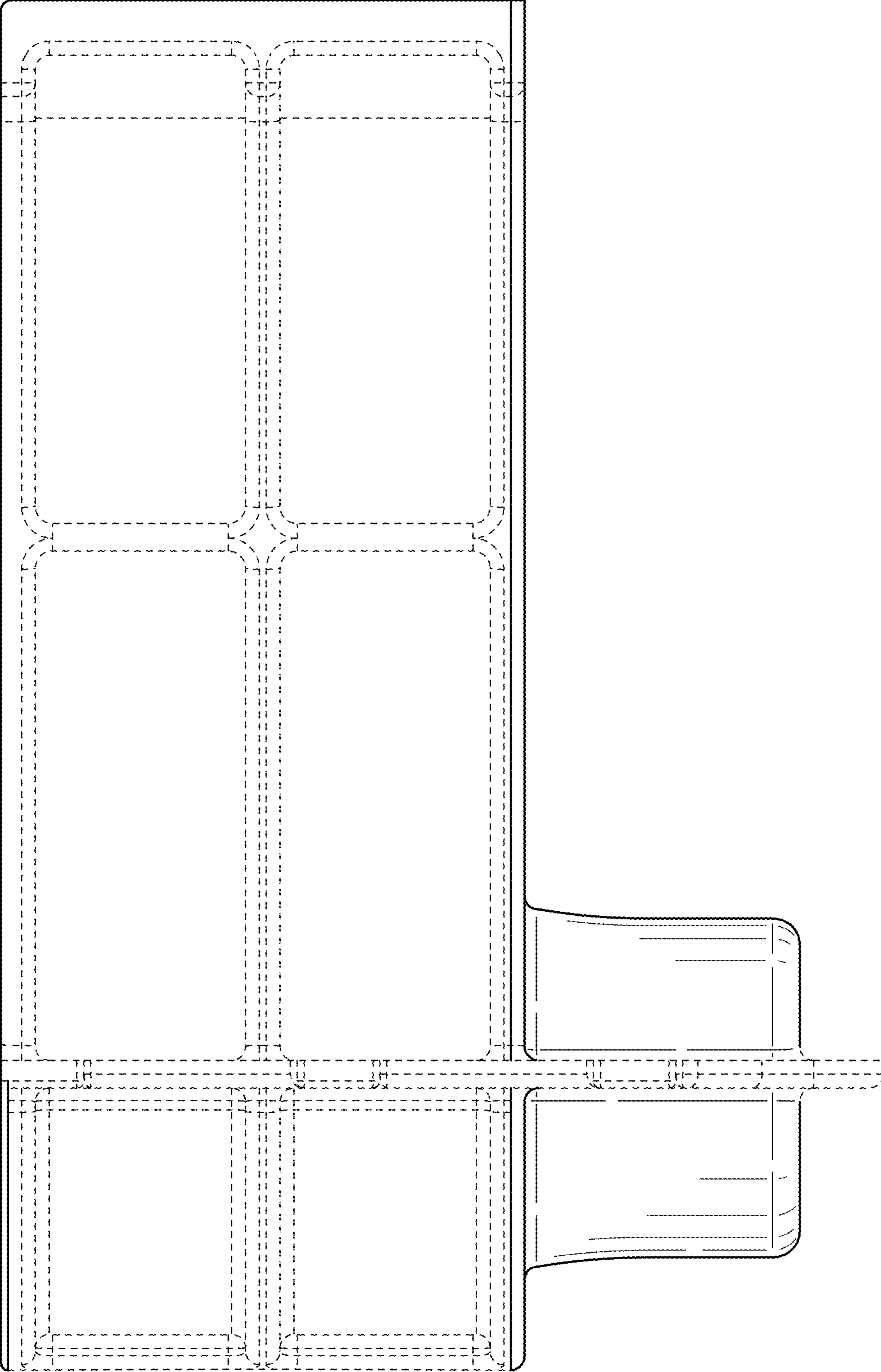


FIG. 6

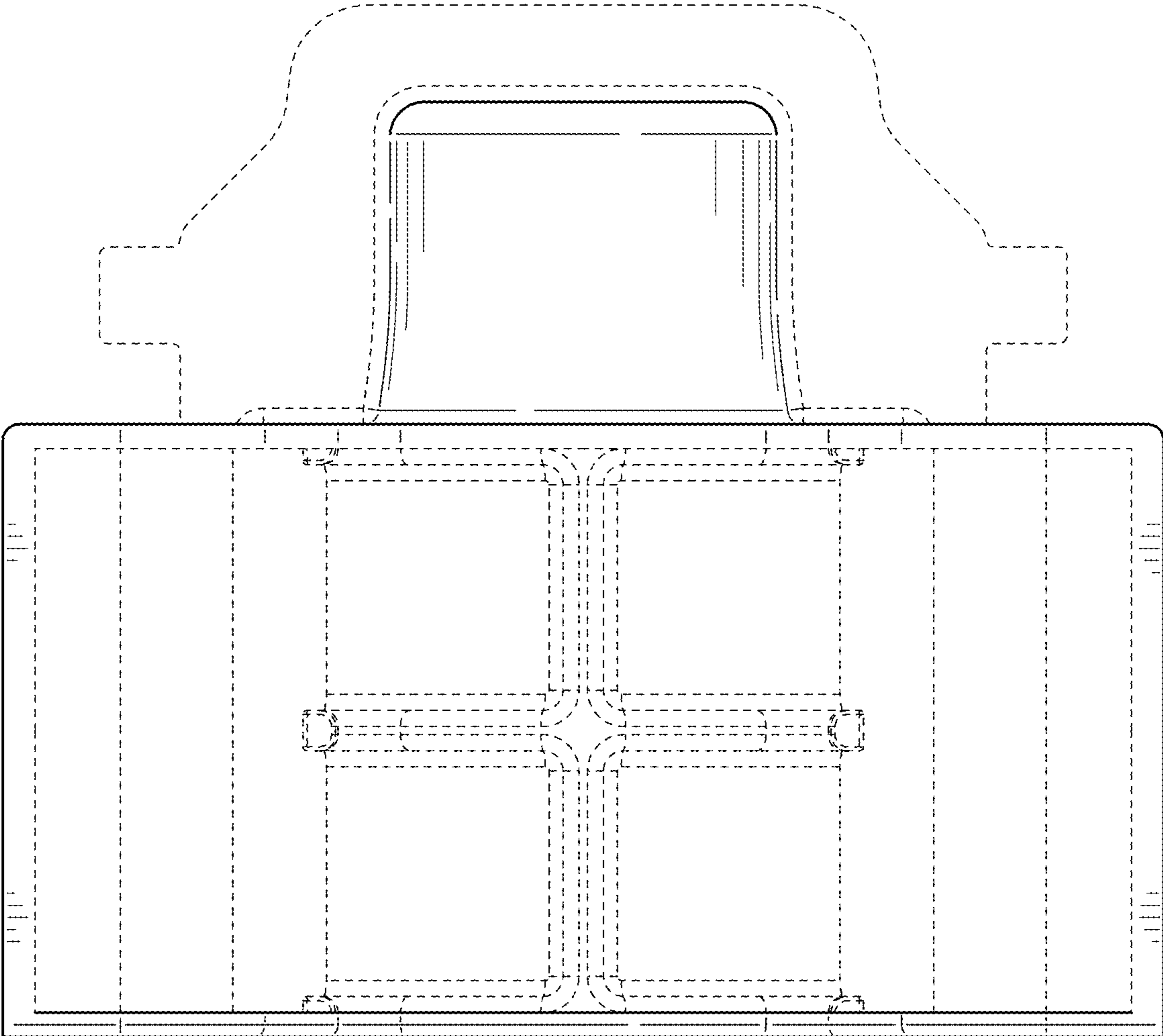


FIG. 7

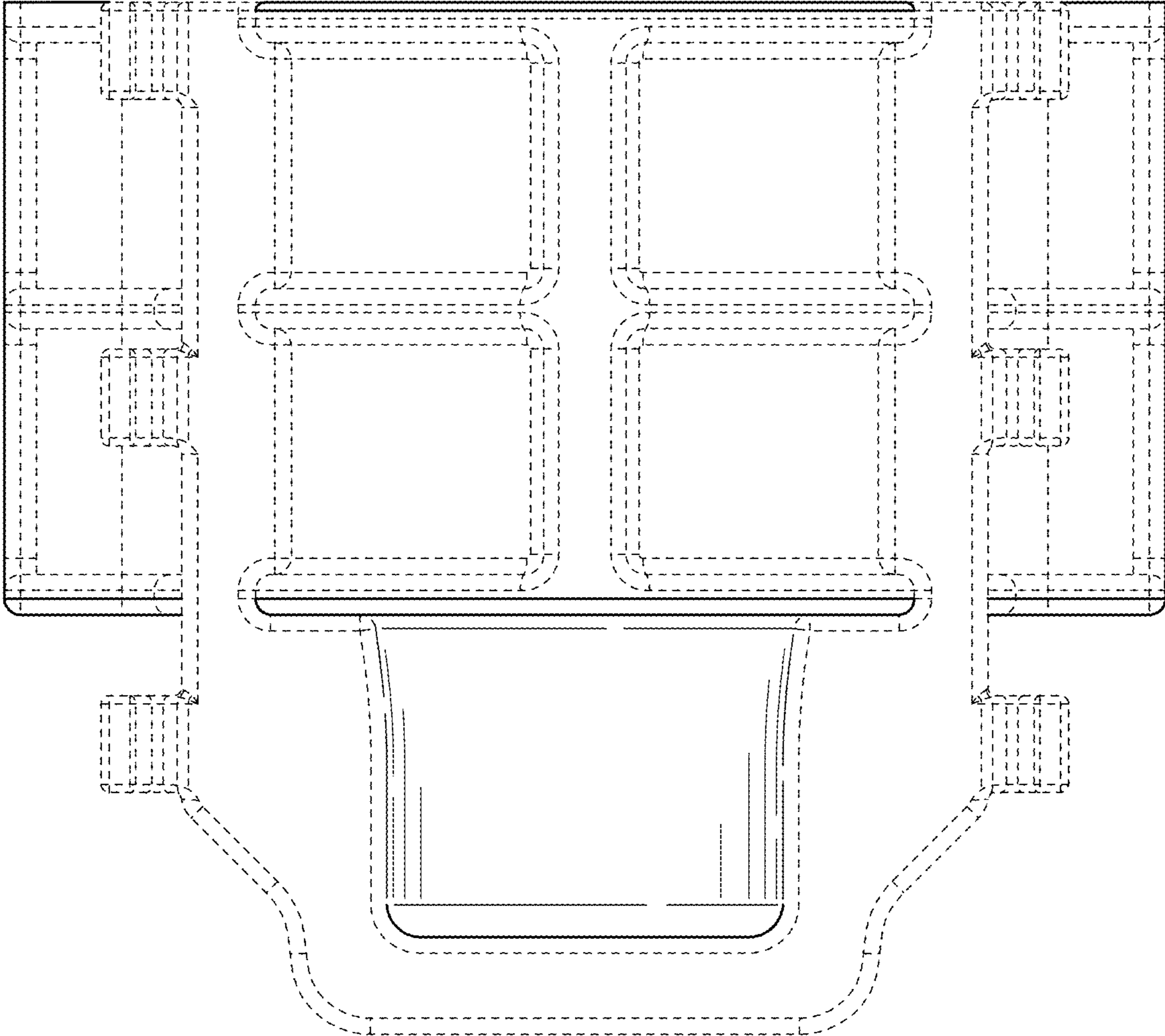


FIG. 8